



US00D731059S

(12) **United States Design Patent**  
**Hoelbl**

(10) **Patent No.:** **US D731,059 S**  
(45) **Date of Patent:** **\*\* Jun. 2, 2015**

(54) **OPHTHALMIC EQUIPMENT STAND**

D514,701 S \* 2/2006 Smith ..... D24/172  
7,467,871 B2 \* 12/2008 Lawhorn et al. .... 351/245  
D676,038 S \* 2/2013 Masuda et al. .... D14/307  
D709,200 S \* 7/2014 Silvonen ..... D24/177

(71) Applicant: **Reichert, Inc.**, Depew, NY (US)

(72) Inventor: **Werner Hoelbl**, Vienna (AT)

(73) Assignee: **REICHERT, INC.**, Depew, NY (US)

(\*\*) Term: **14 Years**

(21) Appl. No.: **29/435,892**

(22) Filed: **Oct. 30, 2012**

(51) **LOC (10) Cl.** ..... **24-02**

(52) **U.S. Cl.**

USPC ..... **D24/150**

(58) **Field of Classification Search**

USPC ..... D24/130, 133, 143, 146, 147, 150, 151,  
D24/158, 159, 160, 172, 177, 185, 186;  
D8/72, 307, 310, 394; 601/17, 18, 19,  
601/52, 63; D7/705, 620, 633; 606/131,  
606/132; D14/302

CPC ..... A61B 3/18; A61B 19/0248; A61B 19/22;  
A61B 19/5202; A61B 3/0033

See application file for complete search history.

(56) **References Cited**

**U.S. PATENT DOCUMENTS**

D198,232 S \* 5/1964 Maier ..... D24/172  
D268,150 S \* 3/1983 Hauser et al. .... D6/475  
4,643,547 A \* 2/1987 Collins et al. .... 351/245  
D293,173 S \* 12/1987 Chester ..... D6/432  
D344,546 S \* 2/1994 Mustard ..... D20/1  
D425,991 S \* 5/2000 Smith et al. .... D24/172  
6,575,575 B2 \* 6/2003 O'Brien et al. .... 351/245  
D503,233 S \* 3/2005 Smith ..... D24/172  
D512,507 S \* 12/2005 Smith ..... D24/172

**OTHER PUBLICATIONS**

Reichert, Inc., brochure "Advantage Chair Plus & Stand", Jun. 2011, United States.

Reichert, Inc. (or predecessor), catalog page, "Premier Auto-Recline Chair", May 1990, United States.

American Optical Co., catalog page showing photographs of the Custom II Ophthalmic Chair and Stand, at least as early as 1990, United States.

\* cited by examiner

*Primary Examiner* — Robert M Spear

*Assistant Examiner* — Marissa J Cash

(74) *Attorney, Agent, or Firm* — Hodgson Russ LLP

(57) **CLAIM**

The ornamental design for an ophthalmic equipment stand, as shown and described.

**DESCRIPTION**

FIG. 1 is a front perspective view of an ophthalmic equipment stand showing my new design;

FIG. 2 is a left side view thereof;

FIG. 3 is a front view thereof;

FIG. 4 is a right view thereof

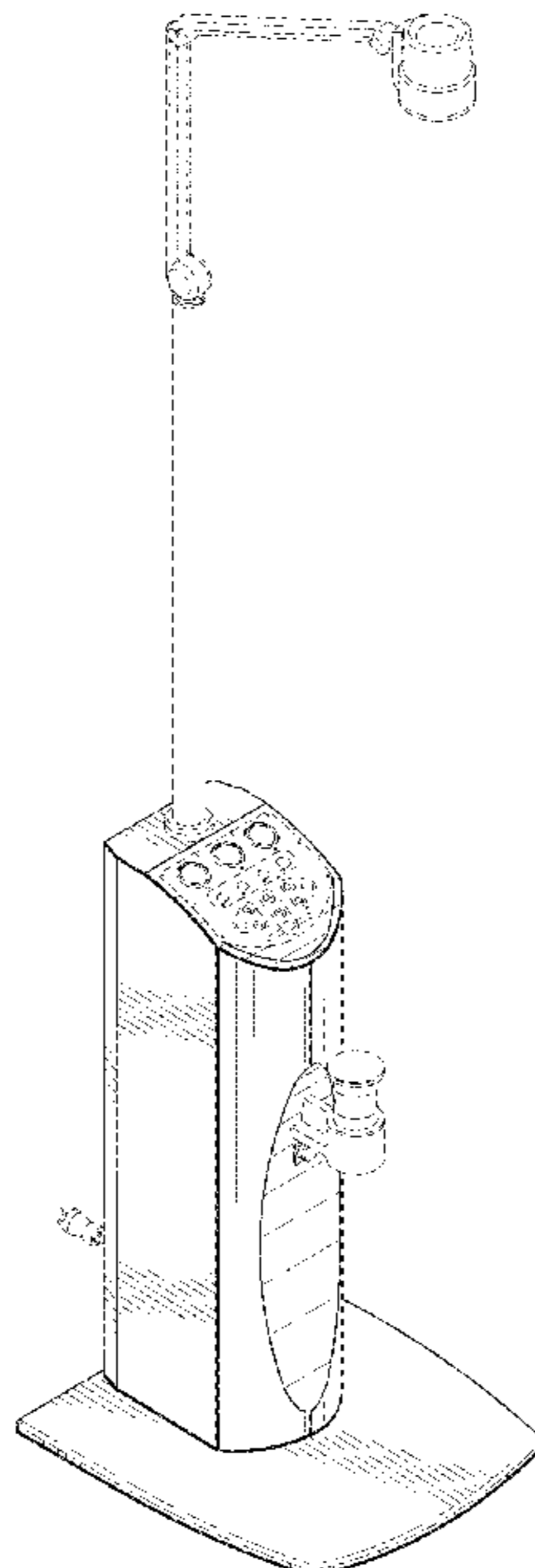
FIG. 5 is a top view thereof;

FIG. 6 is a rear view thereof; and,

FIG. 7 is a bottom view thereof.

The broken lines illustrate portions of the ophthalmic equipment stand and form no part of the claimed design.

**1 Claim, 6 Drawing Sheets**



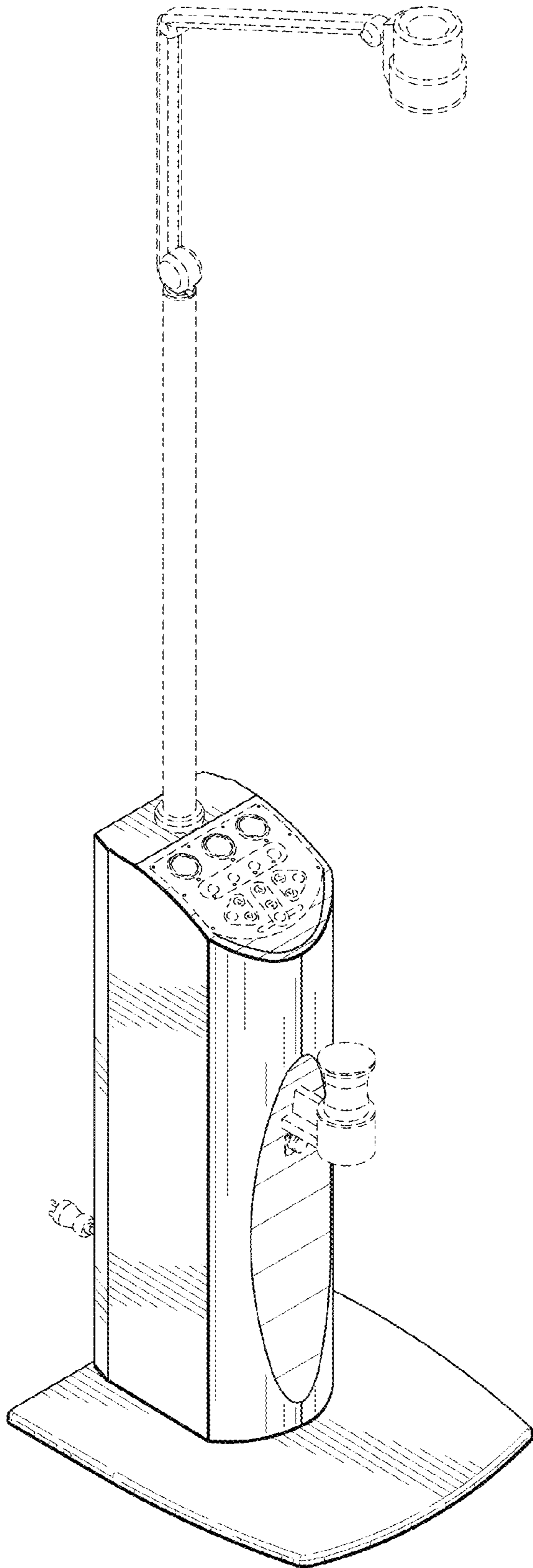


FIG. 1

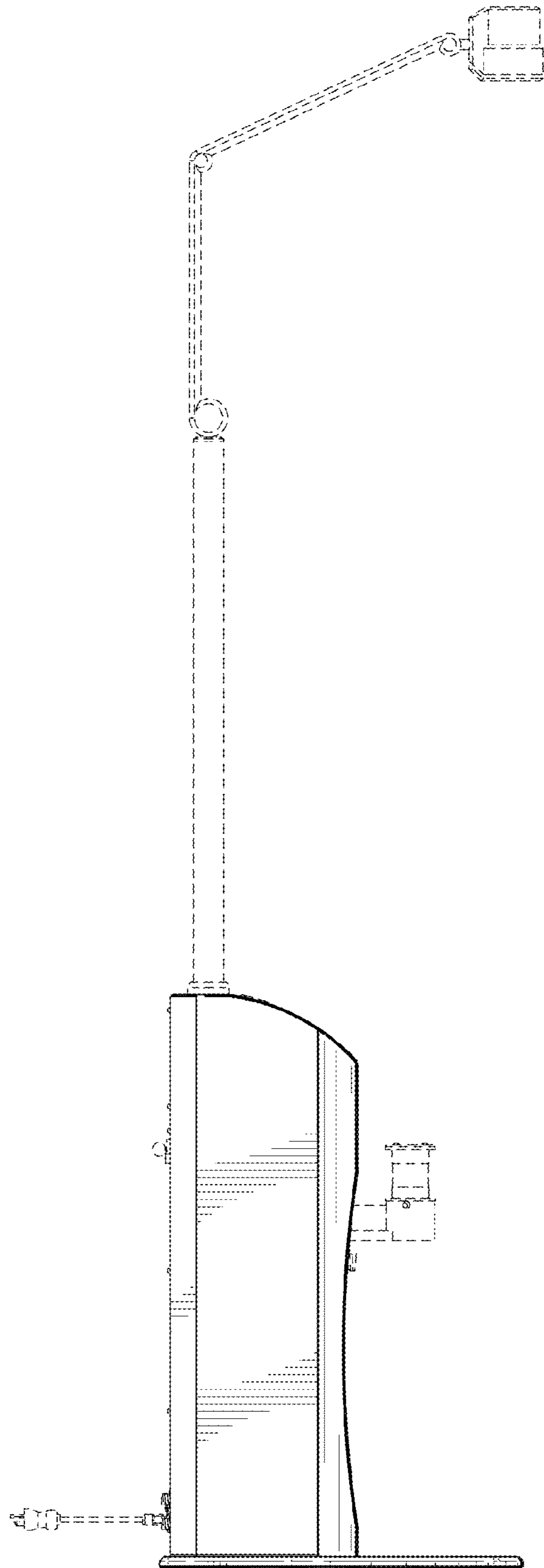


FIG. 2

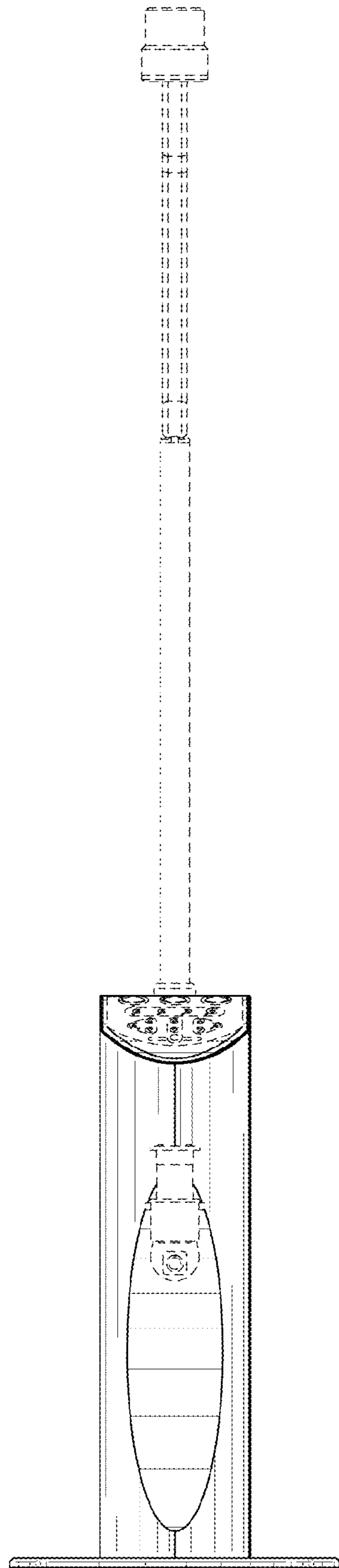


FIG. 3

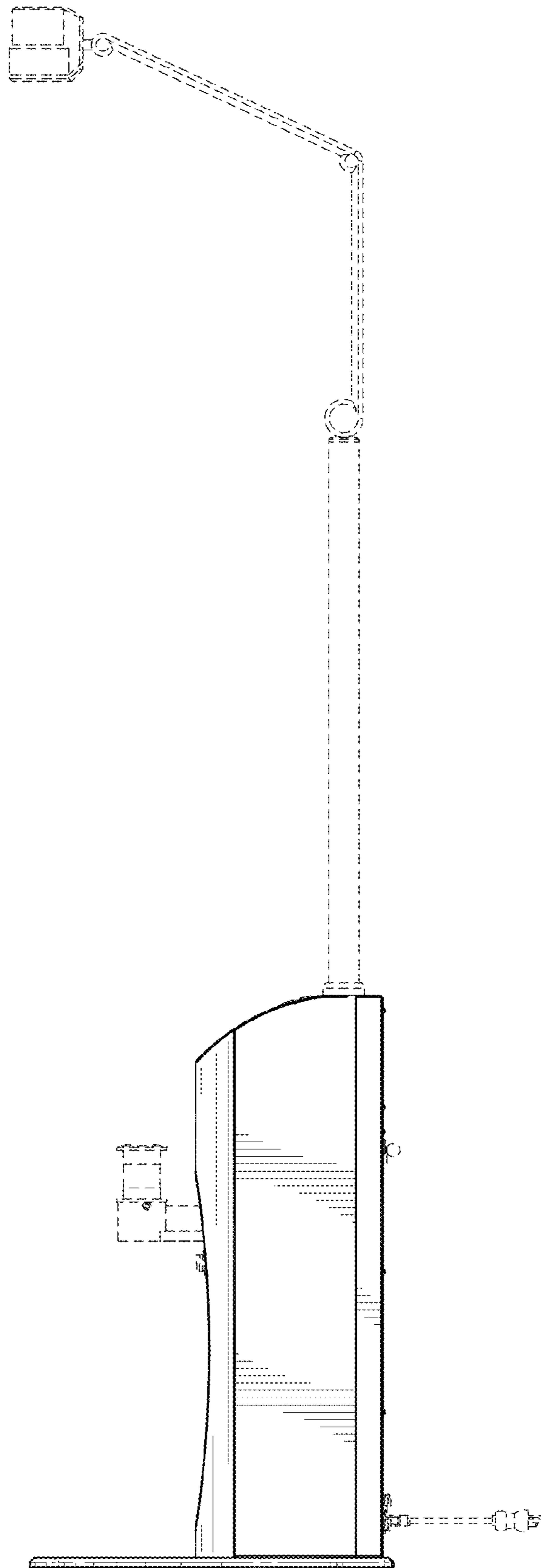


FIG. 4

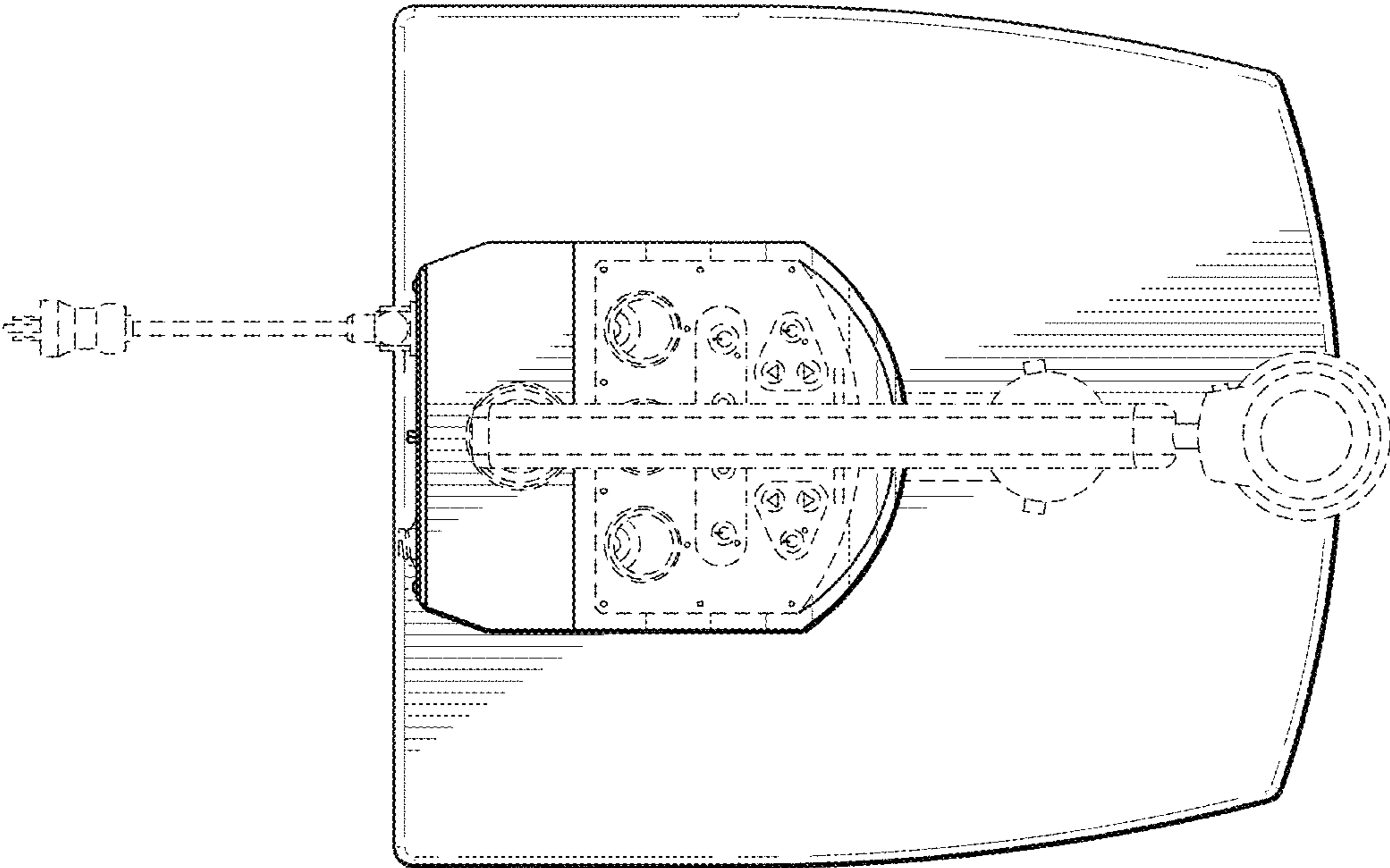


FIG. 5

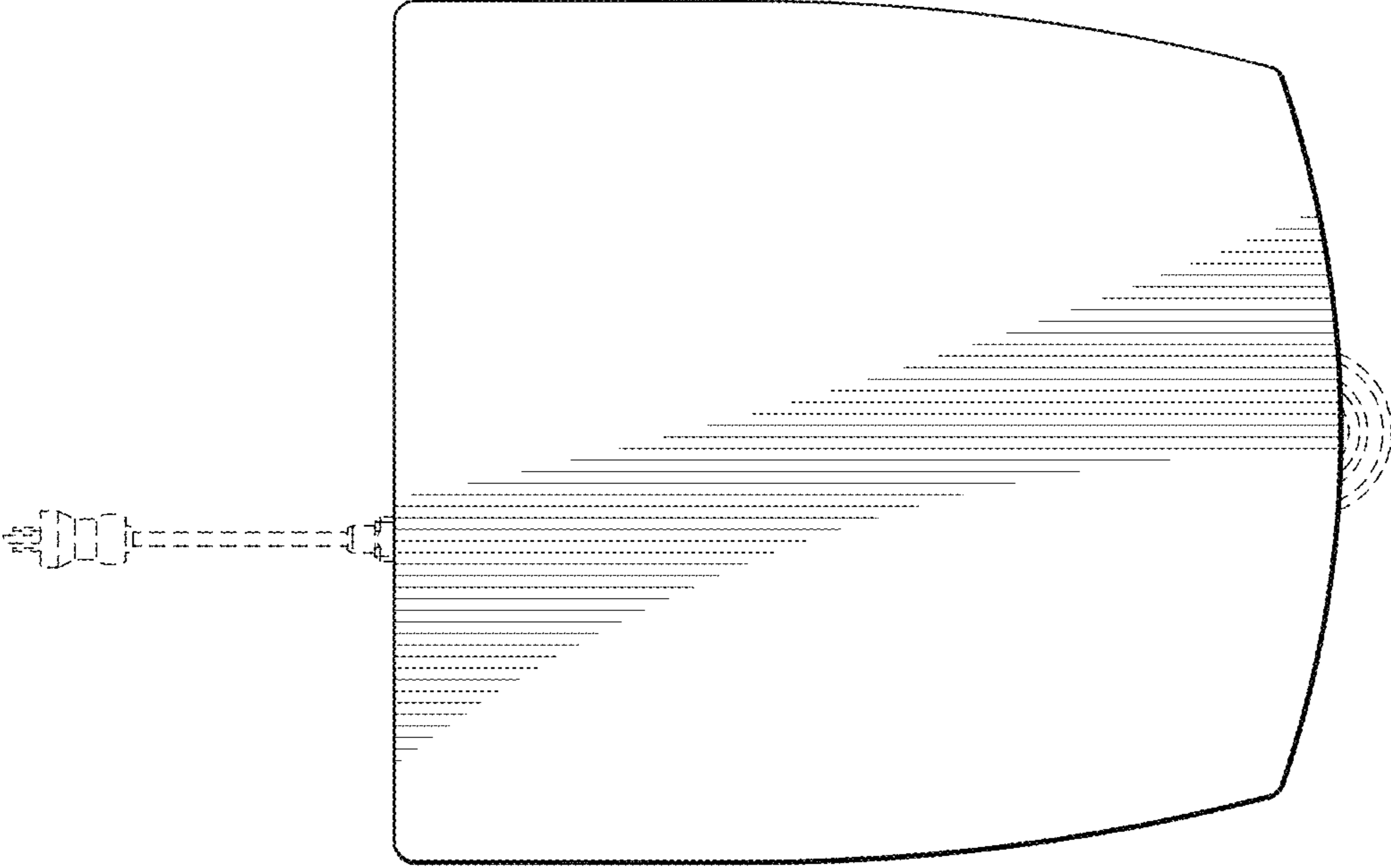


FIG. 7

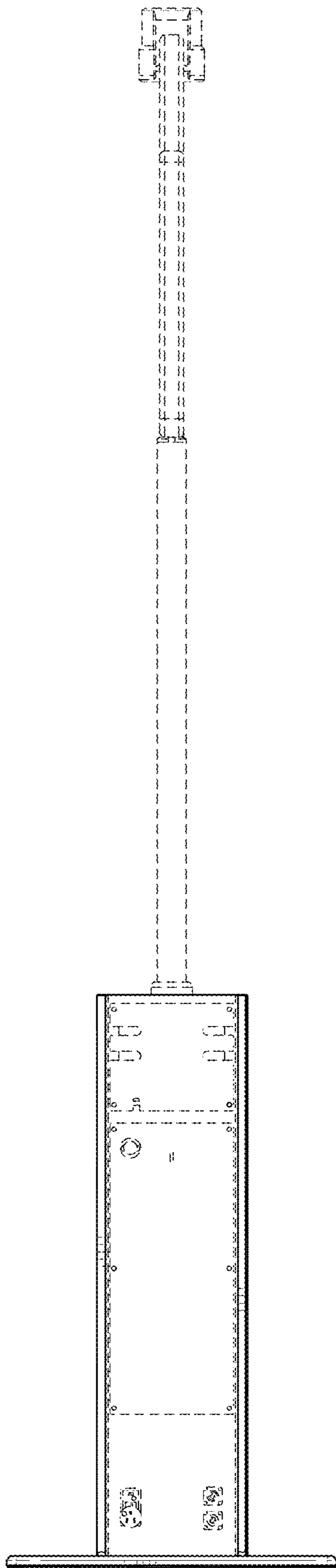


FIG. 6