



US00D731058S

(12) **United States Design Patent**  
**Dietrich**

(10) **Patent No.:** **US D731,058 S**  
(45) **Date of Patent:** **\*\* Jun. 2, 2015**

(54) **OPHTHALMOLOGIC INSTRUMENT**

(75) Inventor: **Andreas Dietrich, Rebstein (CH)**

(73) Assignee: **OERTLI-INSTRUMENTE AG,**  
**Berneck (CH)**

(\*\*) Term: **14 Years**

(21) Appl. No.: **29/420,815**

(22) Filed: **May 14, 2012**

(30) **Foreign Application Priority Data**

Nov. 14, 2011 (WO) ..... DM/077 127

(51) **LOC (10) Cl.** ..... **24-02**

(52) **U.S. Cl.**  
USPC ..... **D24/150**

(58) **Field of Classification Search**  
USPC ..... D7/649; D8/14.1, 29.1, 92, 93, 95, 97,  
D8/98, 99; D19/110, 115; D24/130, 133,  
D24/146, 147, 150, 151; 30/151, 162, 338,  
30/339; 606/4, 5, 6, 44, 107, 166  
CPC ..... A61F 9/00763; A61F 9/00754; A61B  
10/0275; A61B 10/04  
See application file for complete search history.

(56) **References Cited**

**U.S. PATENT DOCUMENTS**

554,780	A *	2/1896	Hulings	.....	222/324
3,945,372	A *	3/1976	Milan et al.	.....	600/570
D288,242	S *	2/1987	Govenius	.....	D24/112
5,735,622	A *	4/1998	Melnick et al.	.....	401/96
D438,954	S *	3/2001	Orsing	.....	D24/112
D468,601	S *	1/2003	Horst	.....	D8/14.1
D476,538	S *	7/2003	Dorff et al.	.....	D8/14.1
6,783,534	B2 *	8/2004	Mehdizadeh	.....	606/93
6,926,728	B2 *	8/2005	Zucherman et al.	.....	606/190

D533,270	S *	12/2006	Kierce et al.	.....	D24/112
D535,744	S *	1/2007	Wright	.....	D24/135
D601,251	S *	9/2009	Horton et al.	.....	D24/133
D619,253	S *	7/2010	Way et al.	.....	D24/147
D626,227	S *	10/2010	Leroy et al.	.....	D24/143
7,842,048	B2 *	11/2010	Ma	.....	606/144
8,075,593	B2 *	12/2011	Hess	.....	606/248
D654,168	S *	2/2012	Fischvogt	.....	D24/146
D669,988	S *	10/2012	Packard et al.	.....	D24/147
D685,466	S *	7/2013	Moshinsky	.....	D24/130
D704,024	S *	5/2014	Tronconi et al.	.....	D8/107
8,784,440	B2 *	7/2014	Lee et al.	.....	606/159
8,808,186	B2 *	8/2014	Fruland et al.	.....	600/459
8,911,459	B2 *	12/2014	Simpson et al.	.....	606/159
2004/0098129	A1 *	5/2004	Lin	.....	623/17.11
2005/0138737	A1 *	6/2005	Klein	.....	7/160
2006/0235334	A1 *	10/2006	Corvi et al.	.....	600/564

\* cited by examiner

*Primary Examiner* — Robert M Spear

*Assistant Examiner* — Marissa J Cash

(74) *Attorney, Agent, or Firm* — Sughrue Mion, PLLC

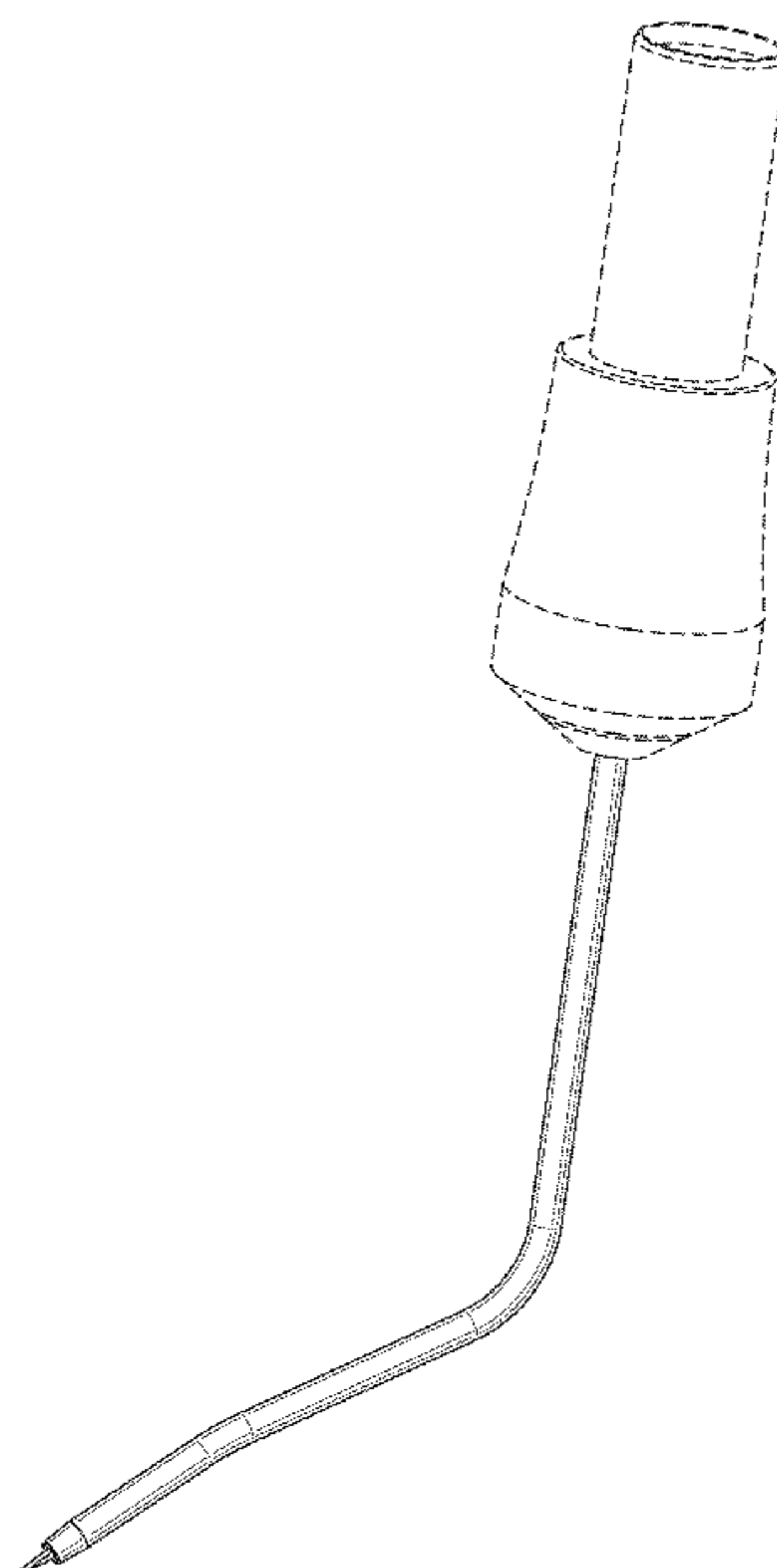
(57) **CLAIM**

The ornamental design for a ophthalmologic instrument, as shown and described.

**DESCRIPTION**

FIG. 1 is a perspective view of an ophthalmologic instrument that comprises my invention;  
FIG. 2 is a further perspective view thereof;  
FIG. 3 is a front elevation view thereof;  
FIG. 4 is a rear elevation view thereof;  
FIG. 5 is a right view thereof;  
FIG. 6 is a left view thereof;  
FIG. 7 is a top view thereof; and,  
FIG. 8 is a bottom view thereof.  
The broken lines depict environmental subject matter only and form no part of the claimed design.

**1 Claim, 7 Drawing Sheets**



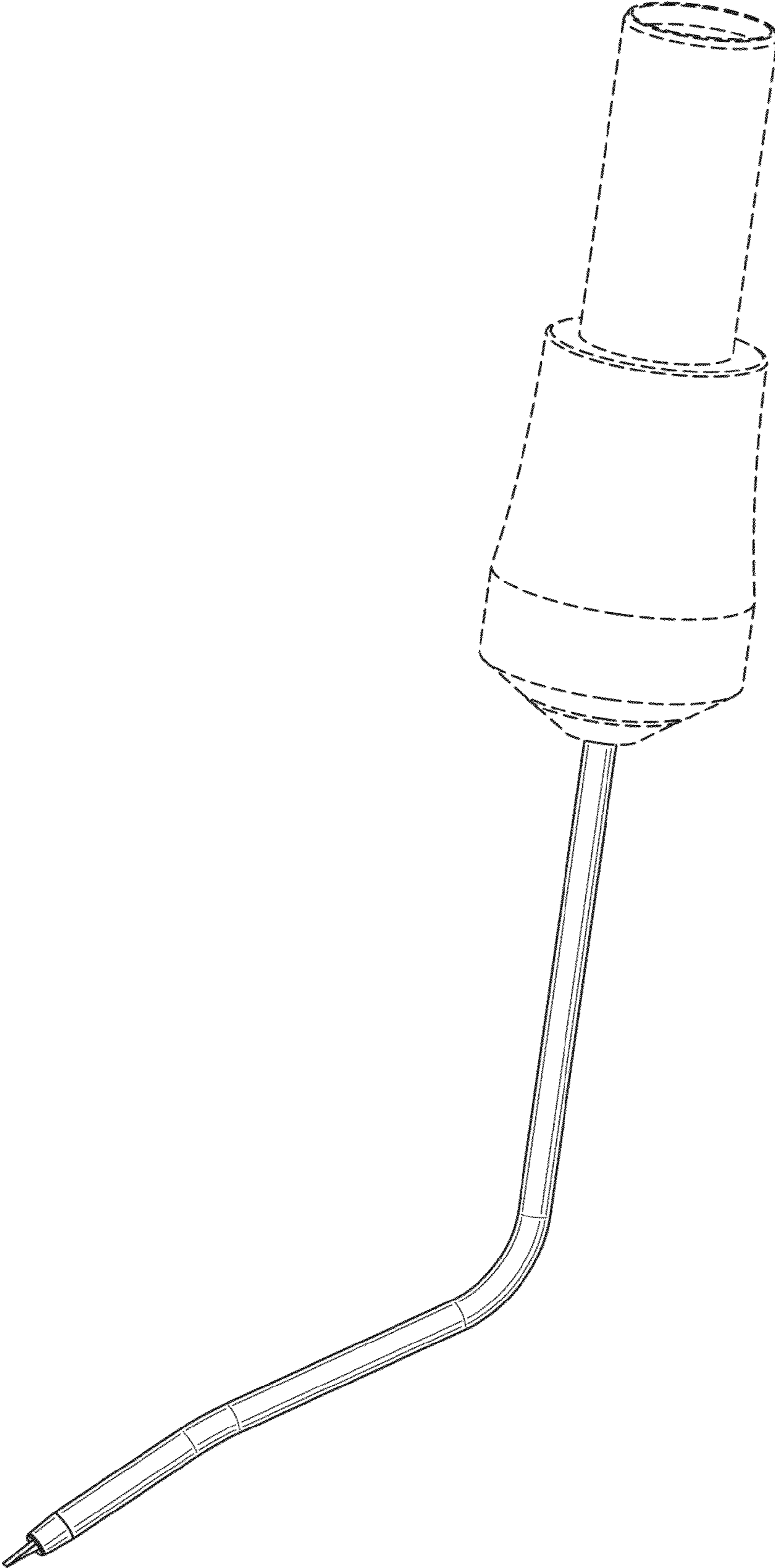


FIG. 1

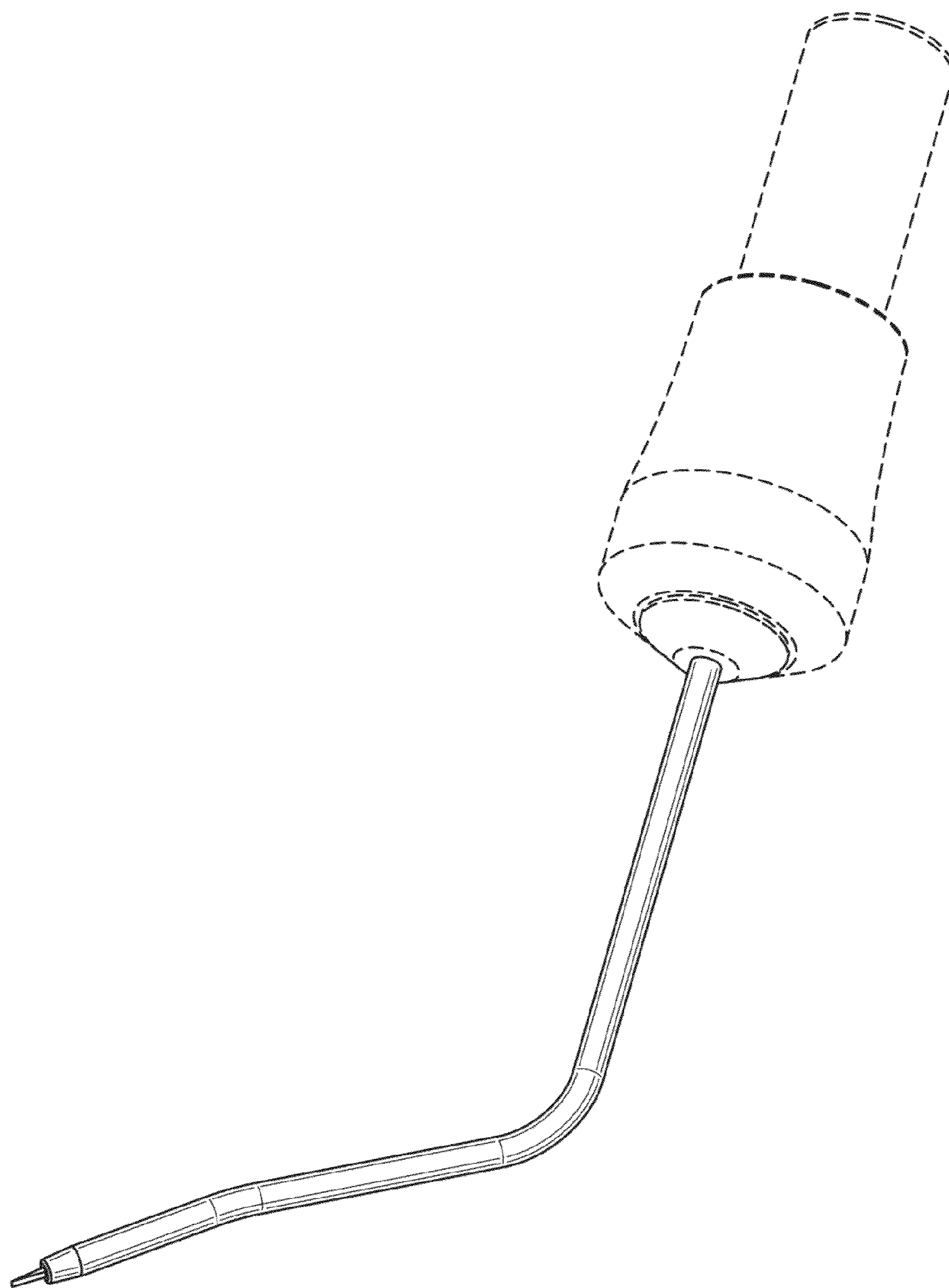


FIG. 2

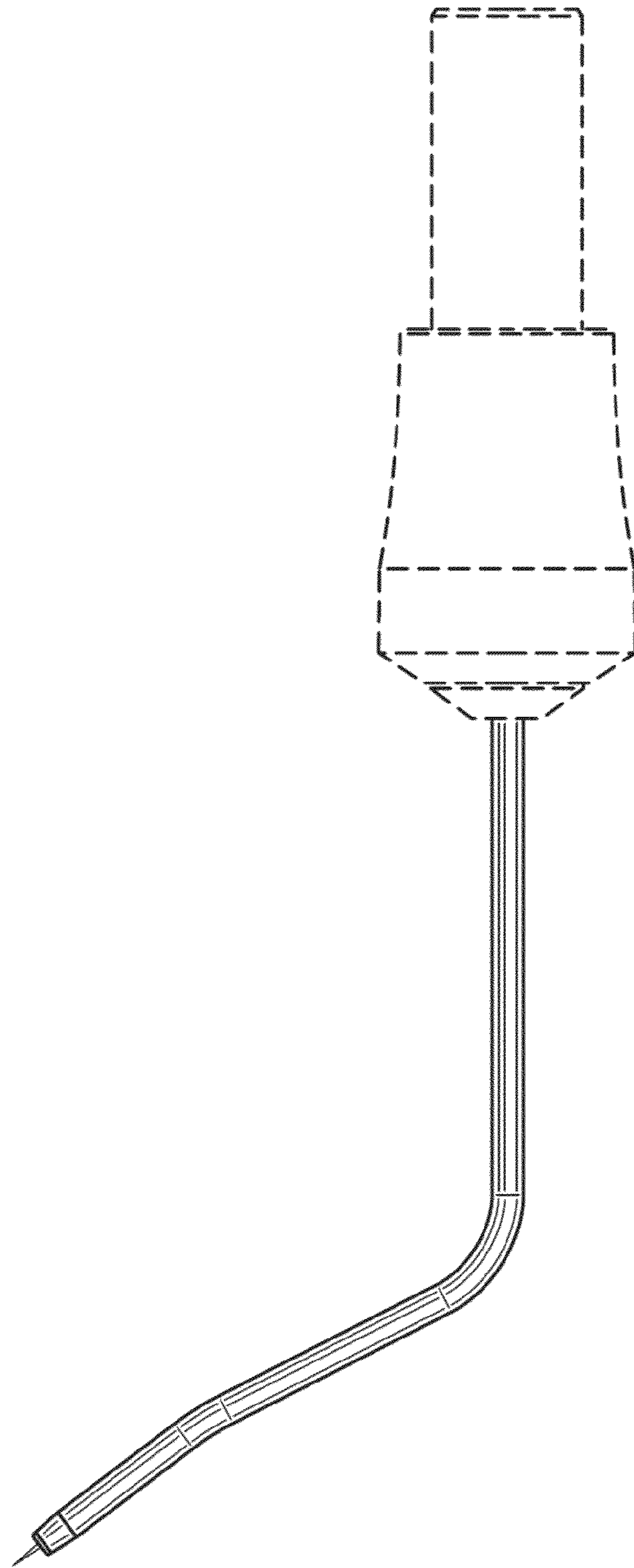


FIG. 3

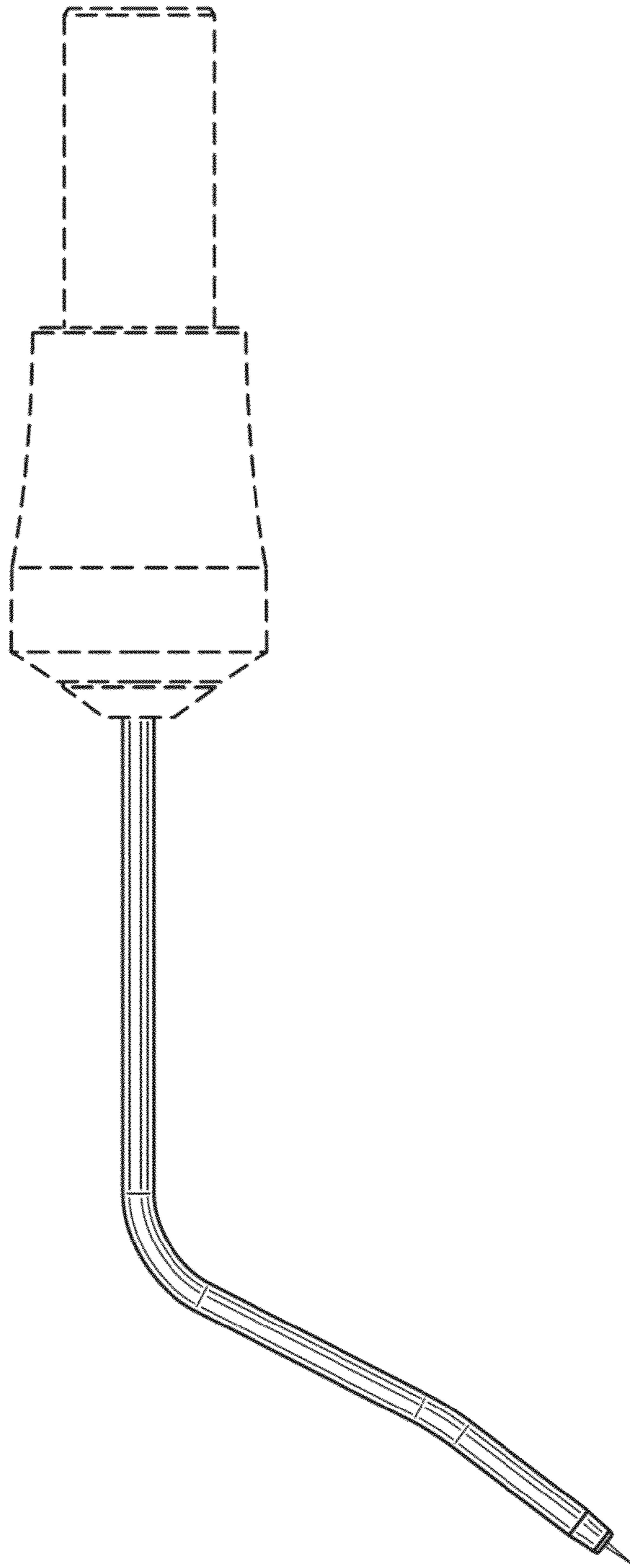


FIG. 4

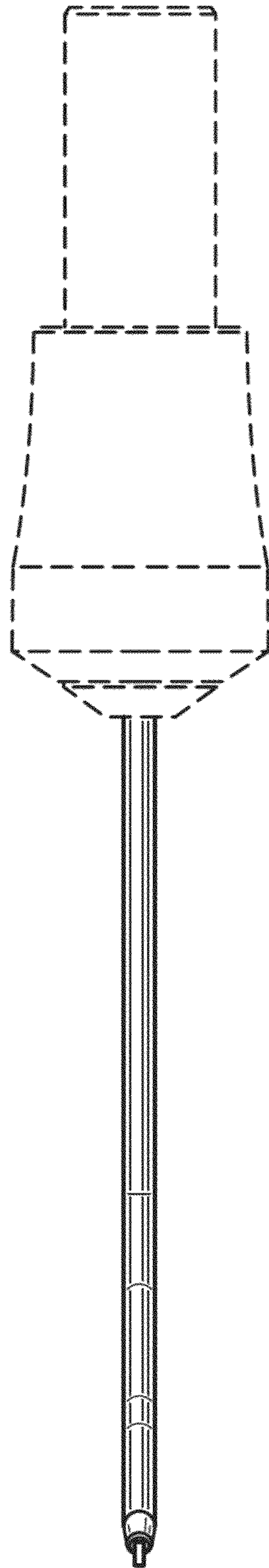


FIG. 5

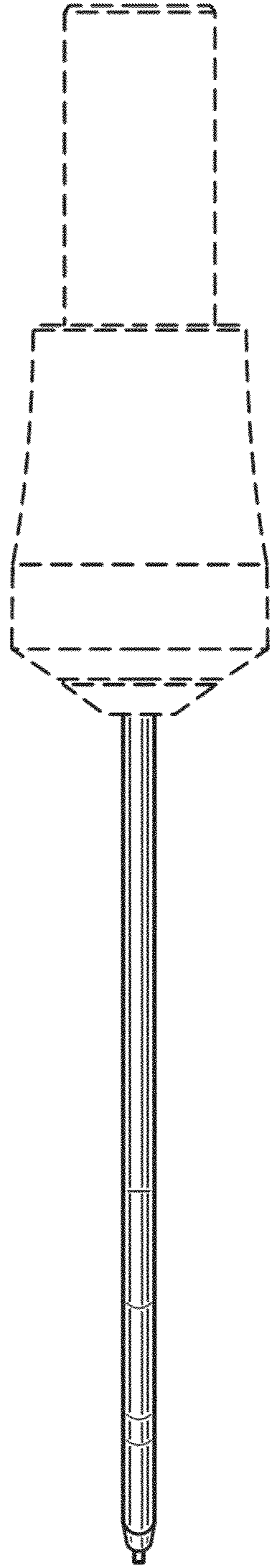


FIG. 6

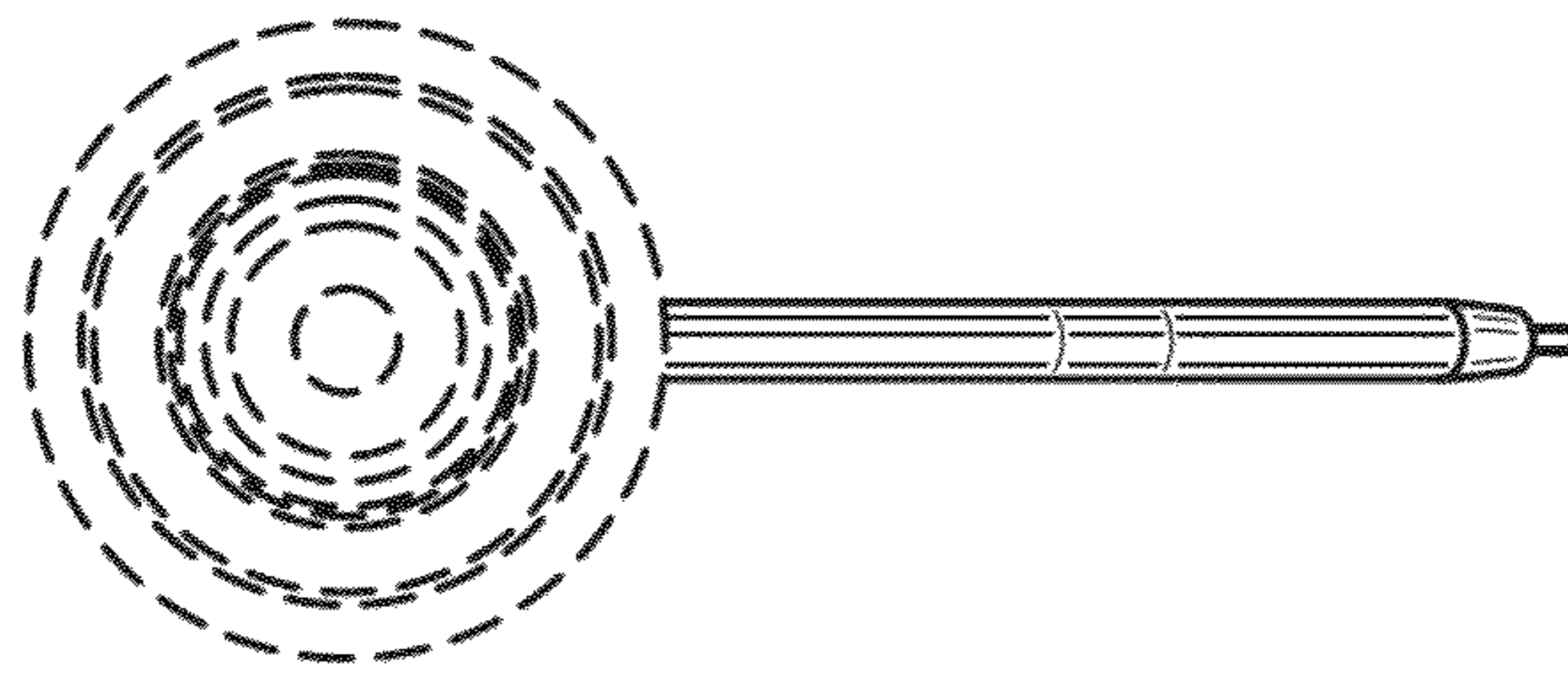


FIG. 7

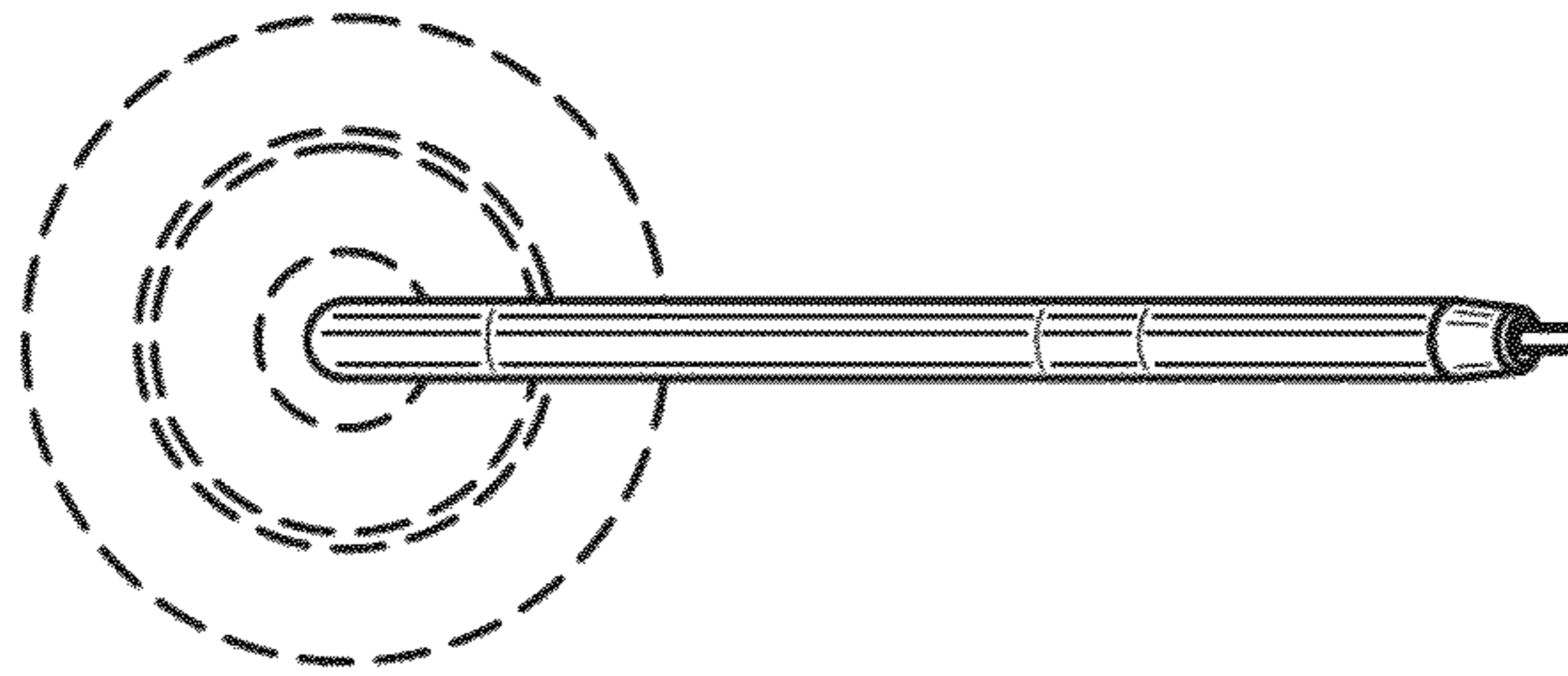


FIG. 8