



US00D731056S

(12) **United States Design Patent**
Tsai

(10) **Patent No.:** **US D731,056 S**
(45) **Date of Patent:** **** Jun. 2, 2015**

(54) **SAMPLING BRUSH FOR CERVICAL SCREENING**

(71) Applicant: **Yih-Chiou Tsai**, Taichung (TW)

(72) Inventor: **Yih-Chiou Tsai**, Taichung (TW)

(**) Term: **14 Years**

(21) Appl. No.: **29/440,623**

(22) Filed: **Dec. 22, 2012**

(30) **Foreign Application Priority Data**

Sep. 28, 2012 (AU) 14910/2012

(51) **LOC (10) Cl.** **24-02**

(52) **U.S. Cl.**
USPC **D24/146**

(58) **Field of Classification Search**
USPC D24/127, 133, 136.146–152, 172, 173,
D24/174, 176; 600/325, 110, 180, 569;
606/79, 80; D8/89, 388, 391, 397, 399;
604/164.03, 164.06
CPC A61B 1/05; A61B 1/07; A61B 17/1671;
A61B 17/1617; A61B 5/1459; A61B 17/3417;
A61B 2010/0216; A61M 25/0662
See application file for complete search history.

(56) **References Cited**

U.S. PATENT DOCUMENTS

4,657,869 A * 4/1987 Richards et al. 435/287.6
4,700,713 A * 10/1987 Kist 600/569

5,462,063 A * 10/1995 Kist et al. 600/569
6,291,234 B1 * 9/2001 Raz et al. 435/309.1
D552,238 S * 10/2007 Zwart D24/146
7,413,551 B2 * 8/2008 Decker et al. 600/569
8,152,739 B1 * 4/2012 McCully 600/569
D710,113 S * 8/2014 Cho D4/127
8,795,197 B2 * 8/2014 Lonky et al. 600/569
2002/0068881 A1 * 6/2002 Kobren et al. 600/569
2004/0116827 A1 * 6/2004 Tiberio 600/569
2013/0211288 A1 * 8/2013 Zwart 600/569
2013/0238008 A1 * 9/2013 Crockett 606/186

* cited by examiner

Primary Examiner — Robert M Spear

Assistant Examiner — Marissa J Cash

(74) *Attorney, Agent, or Firm* — Alan D. Kamrath; Kamrath IP Lawfirm, P.A.

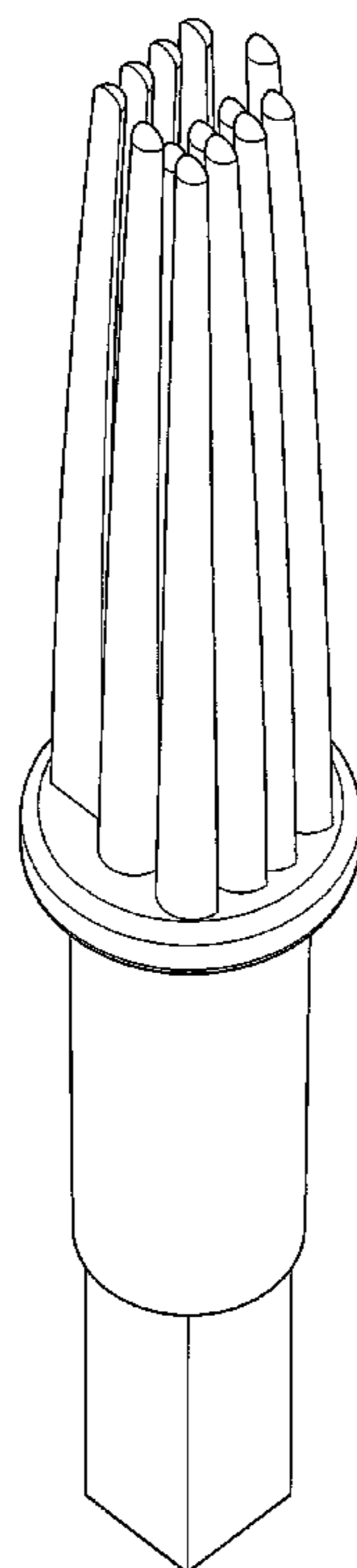
(57) **CLAIM**

The ornamental design for a sampling brush for cervical screening, as shown.

DESCRIPTION

FIG. 1 is a perspective view of a sampling brush for cervical screening, showing my new design;
FIG. 2 is a front view thereof;
FIG. 3 is a rear view thereof;
FIG. 4 is a left side view thereof;
FIG. 5 is a right side view thereof;
FIG. 6 is a top view thereof; and,
FIG. 7 is a bottom view thereof.

1 Claim, 4 Drawing Sheets



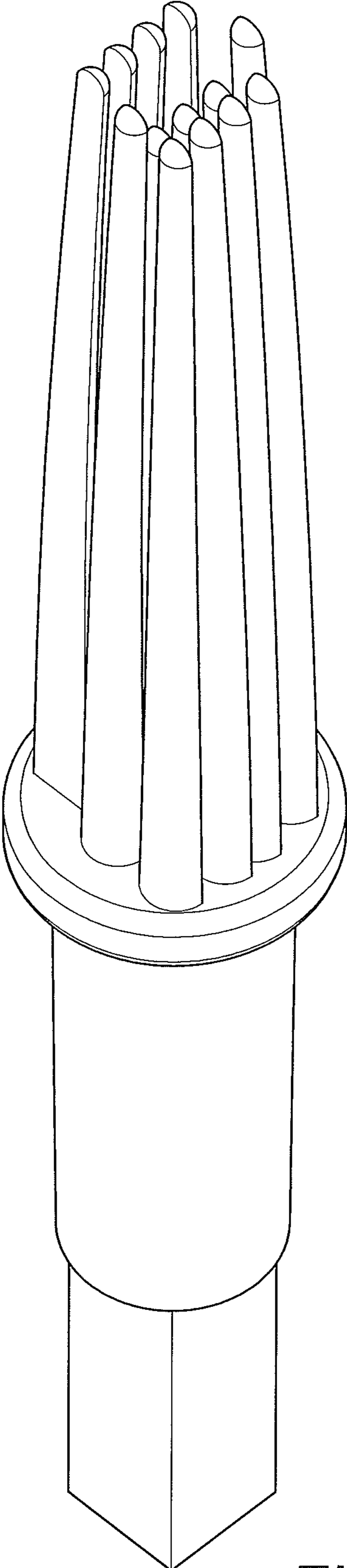


FIG.1

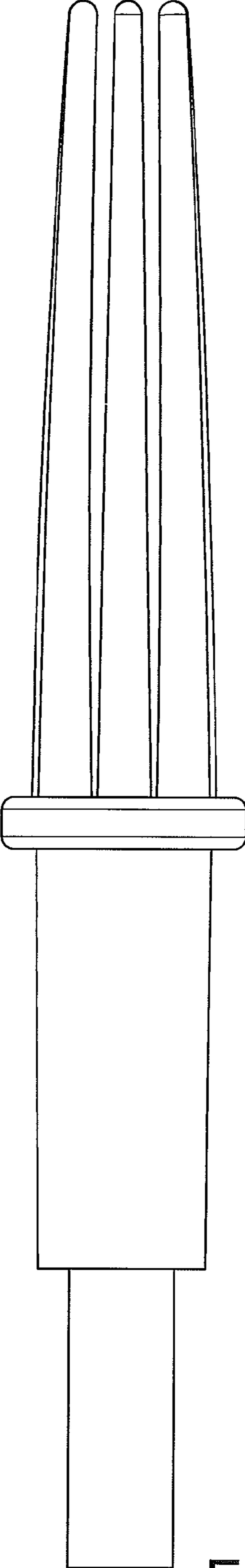


FIG. 2

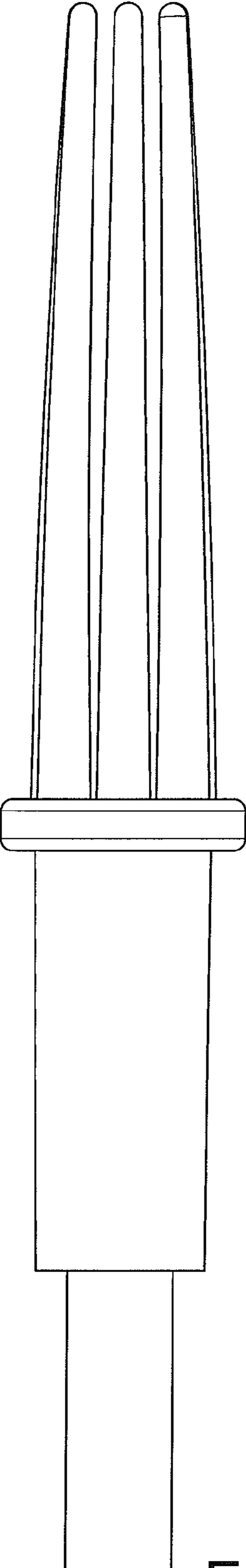


FIG. 3

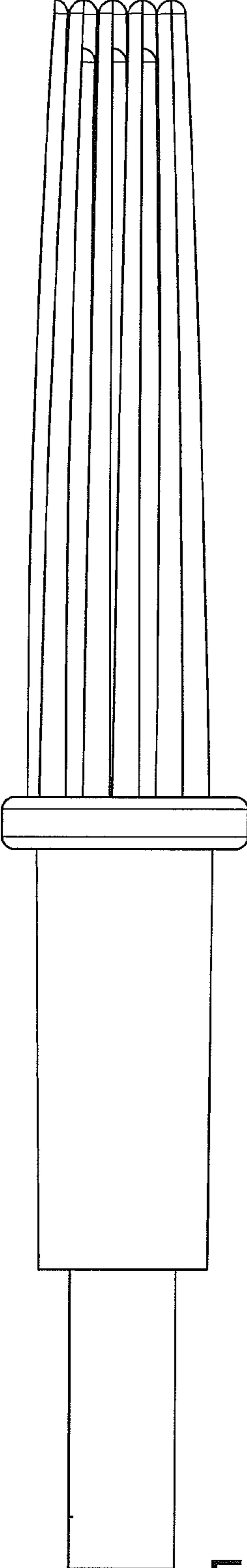


FIG.4

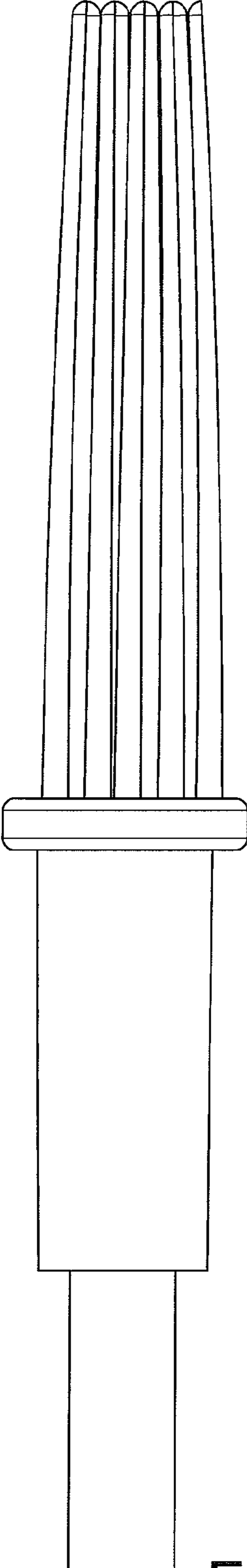


FIG.5

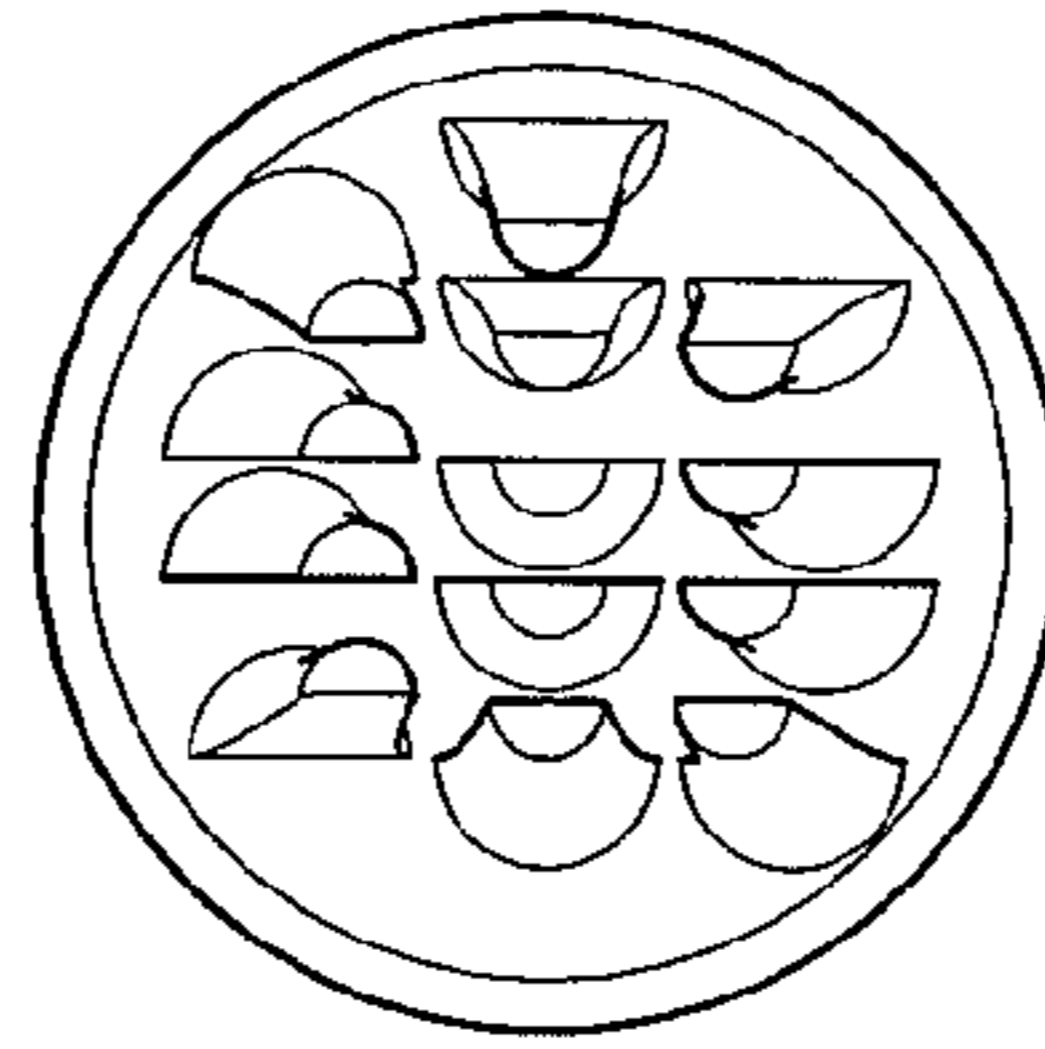


FIG. 6

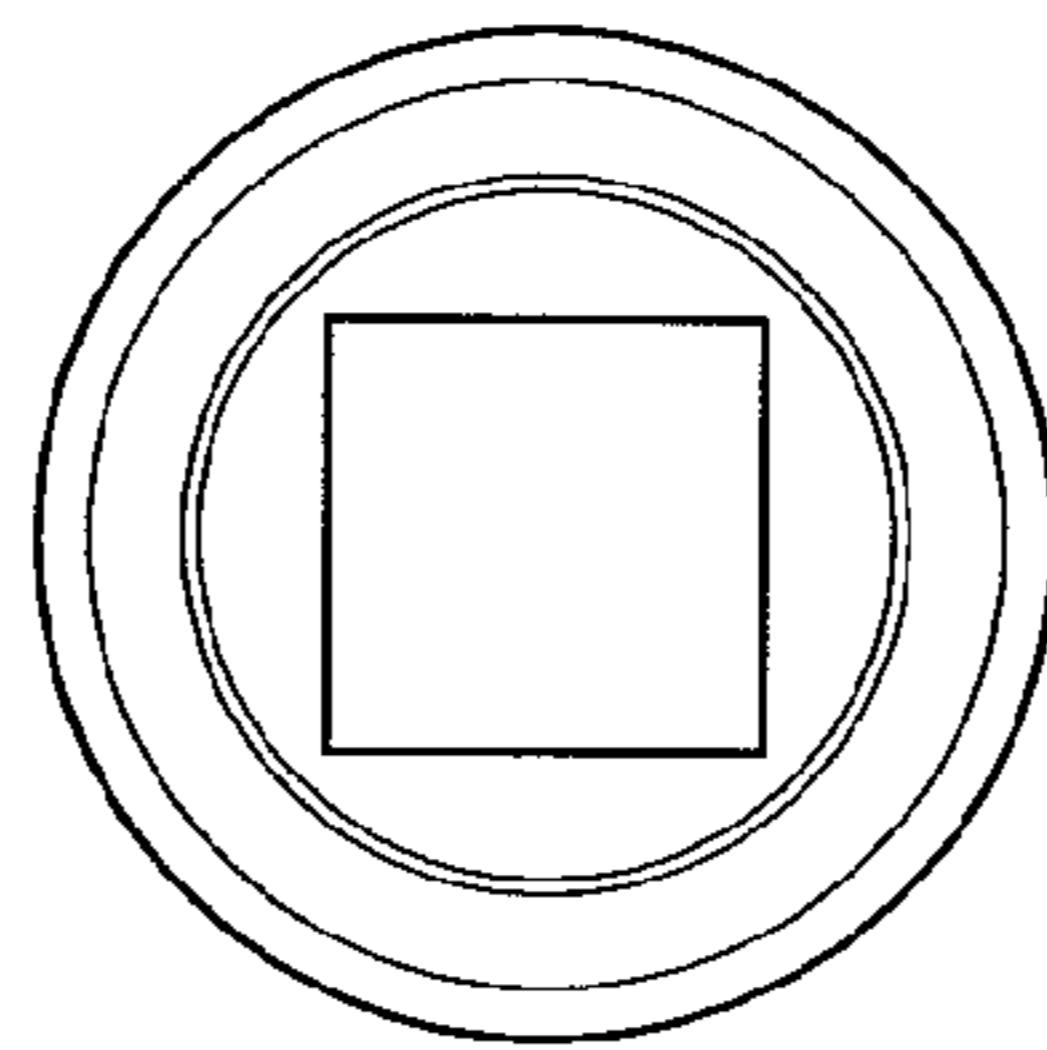


FIG. 7