



US00D731054S

(12) **United States Design Patent**
Lampropoulos et al.

(10) **Patent No.:** **US D731,054 S**
(45) **Date of Patent:** **** Jun. 2, 2015**

(54) **GRADUATED INFLATION DEVICE**

(75) Inventors: **Fred Lampropoulos**, Salt Lake City, UT (US); **James Paulsen**, Salt Lake city, UT (US); **Brian Stevens**, Pleasant Grove, UT (US); **William Padilla**, Sandy, UT (US); **Gregory R. McArthur**, Sandy, UT (US)

(73) Assignee: **Merit Medical Systems, Inc.**, South Jordan, UT (US)

(**) Term: **14 Years**

(21) Appl. No.: **29/430,061**

(22) Filed: **Aug. 21, 2012**

(51) **LOC (10) Cl.** **24-02**

(52) **U.S. Cl.**
USPC **D24/129**

(58) **Field of Classification Search**

USPC D24/127-131, 112-114, 133, 186;
606/181, 185; 604/97.03, 98.01, 99.01,
604/264, 272, 115, 232, 187, 158, 164.08,
604/192, 263, 163, 181, 184, 198, 227;
600/101, 139, 143; 128/200.24,
128/207.14, 207.15

See application file for complete search history.

(56) **References Cited**

U.S. PATENT DOCUMENTS

5,011,476 A * 4/1991 Foster 604/110
5,047,015 A 9/1991 Foote et al.
5,057,078 A 10/1991 Foote et al.
5,163,904 A 11/1992 Lampropoulos et al.
5,168,757 A * 12/1992 Rabenau et al. 73/714
5,209,732 A 5/1993 Lampropoulos et al.
5,336,183 A * 8/1994 Greelis et al. 604/97.03
5,425,713 A 6/1995 Taylor et al.
5,453,091 A 9/1995 Taylor et al.
5,507,727 A 4/1996 Crainich

5,713,242 A * 2/1998 Kanner et al. 74/424.78
D401,324 S * 11/1998 Hjertman et al. D24/114
6,106,496 A 8/2000 Arnissolle

(Continued)

FOREIGN PATENT DOCUMENTS

EP 0565045 10/1993
KR 1020110025578 3/2011

(Continued)

OTHER PUBLICATIONS

U.S. Appl. No. 13/464,046, filed May 4, 2012, Lampropoulos et al.
(Continued)

Primary Examiner — David Muller

(74) *Attorney, Agent, or Firm* — Stoel Rives LLP

(57) **CLAIM**

The ornamental design for a graduated inflation device, as shown and described.

DESCRIPTION

FIG. 1 is a perspective view of a first embodiment of a graduated inflation device.

FIG. 2 is a second perspective view of the graduated inflation device of FIG. 1.

FIG. 3 is a top view of the graduated inflation device of FIG. 1.

FIG. 4 is a front view of the graduated inflation device of FIG. 1.

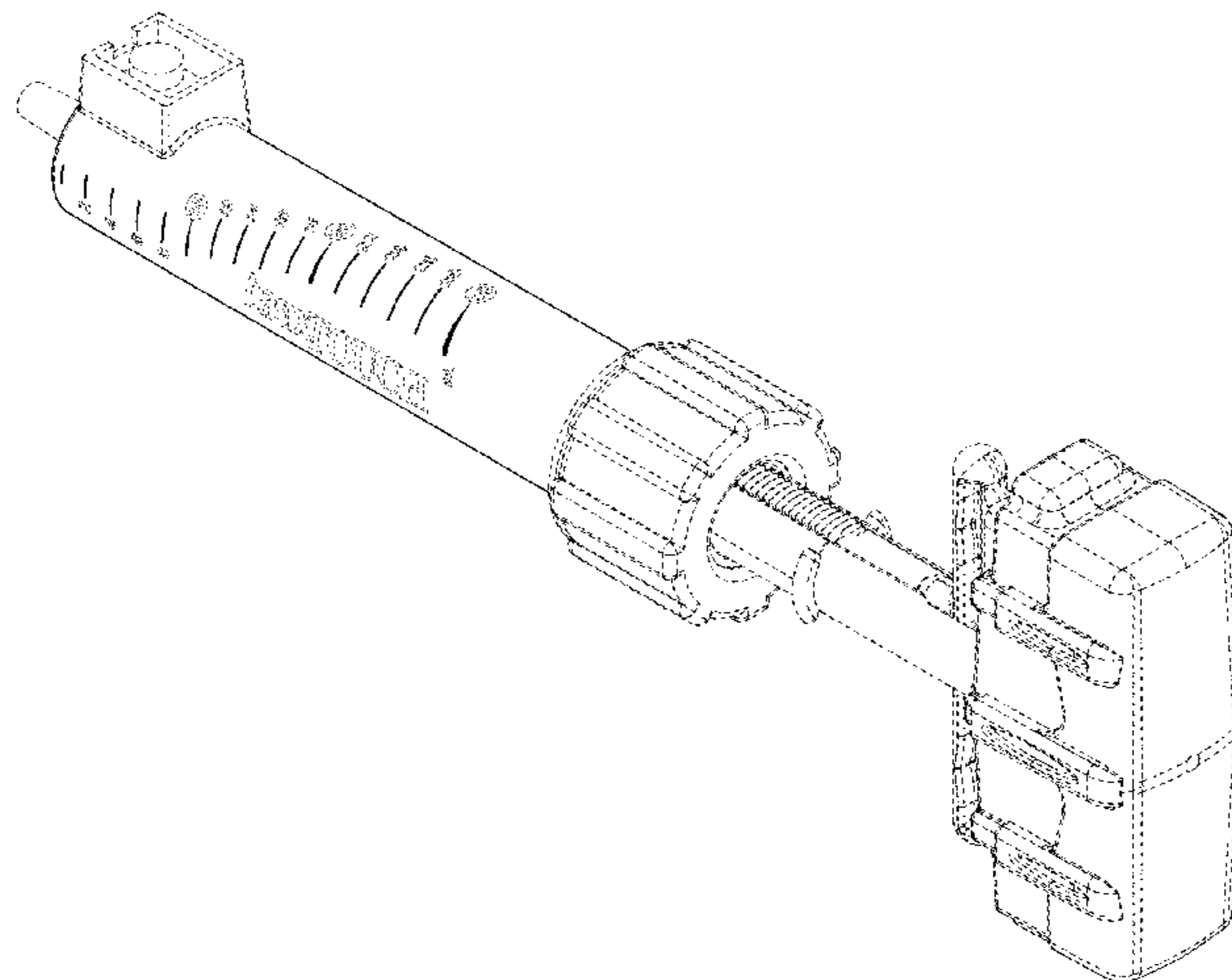
FIG. 5 is a bottom view of the graduated inflation device of FIG. 1.

FIG. 6 is a rear view of the graduated inflation device of FIG. 1; and,

FIG. 7 is an enlarged view of a portion of the graduated inflation device of FIG. 1.

The broken line showing of parts of the drawings is included for the purpose of illustrating use and environment and forms no part of the claimed design.

1 Claim, 5 Drawing Sheets



(56)

References Cited

OTHER PUBLICATIONS

U.S. PATENT DOCUMENTS

6,936,034 B2 * 8/2005 Watkins 604/197
D545,429 S * 6/2007 Hays D24/114
7,530,970 B2 5/2009 McArthur et al.
7,892,202 B2 2/2011 Lampropoulos et al.
8,118,776 B2 2/2012 Lampropoulos et al.
8,137,307 B2 * 3/2012 Tennican et al. 604/89
D661,389 S * 6/2012 Morgan et al. D24/130
D667,950 S * 9/2012 Hyun et al. D24/130
8,506,572 B2 * 8/2013 Evans et al. 606/92
D690,417 S * 9/2013 Solomon D24/114
2011/0046604 A1 * 2/2011 Felsovalyi et al. 604/506

FOREIGN PATENT DOCUMENTS

KR 1020130047657 5/2013
WO WO9744077 11/1997

U.S. Appl. No. 29/424,608, filed Jun. 13, 2012, Lampropoulos et al.
U.S. Appl. No. 29/405,006, filed Oct. 27, 2011, Stevens et al.
International Search Report and Written Opinion dated Aug. 17, 2012
for PCT/US2012/036473.
Office Action dated Apr. 12, 2013 for U.S. Appl. No. 13/464,046.
Notice of Allowance dated Aug. 7, 2013 for U.S. Appl. No.
13/464,046.
Office Action dated Dec. 20, 2013 for U.S. Appl. No. 29/405,006.
U.S. Appl. No. 14/460,650, filed Aug. 15, 2014, Chadwick et al.
Office Action dated Aug. 28, 2014 for U.S. Appl. No. 29/424,608.
International Search Report and Written Opinion dated Nov. 19, 2014
for PCT/US2014/051219.

* cited by examiner

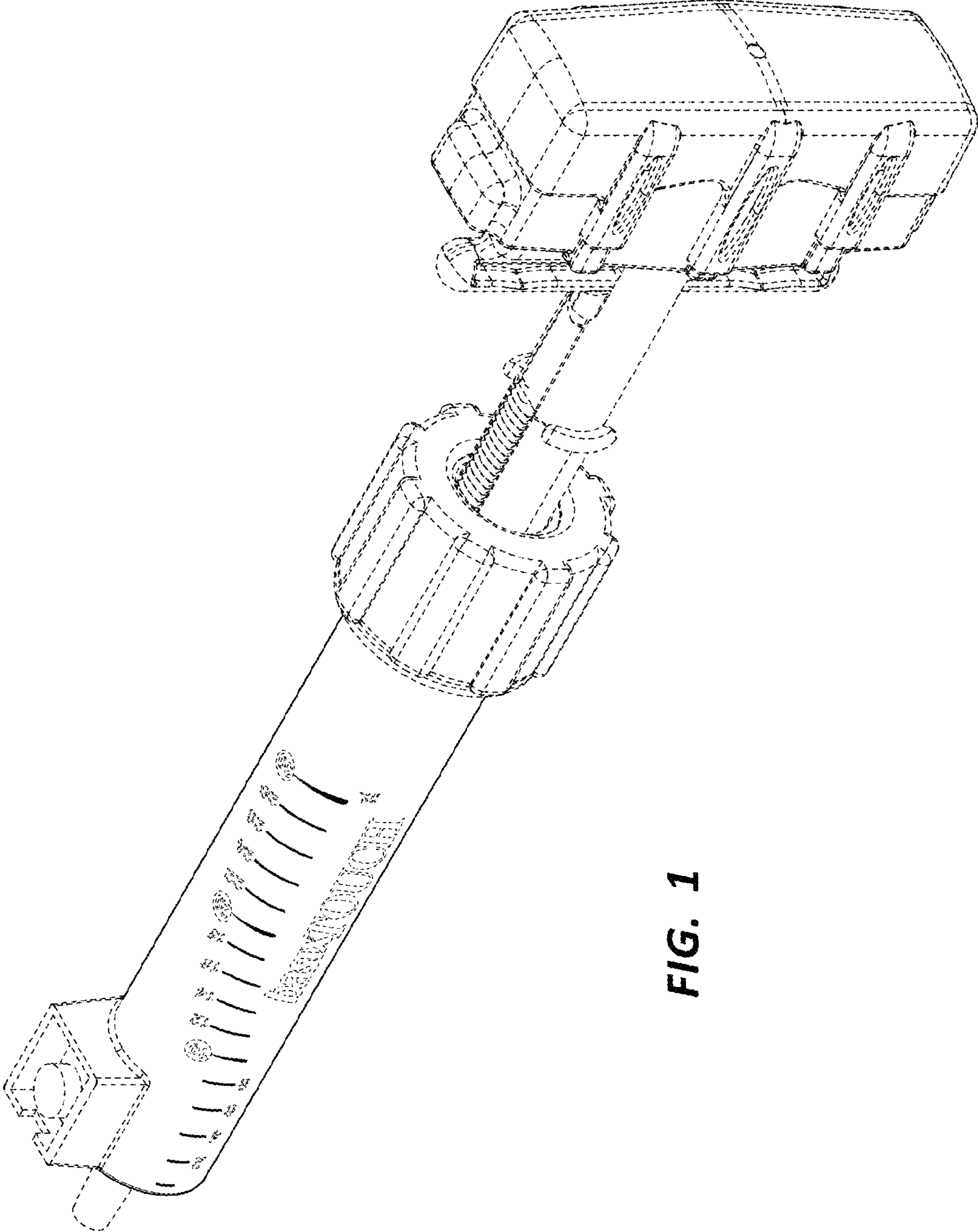


FIG. 1

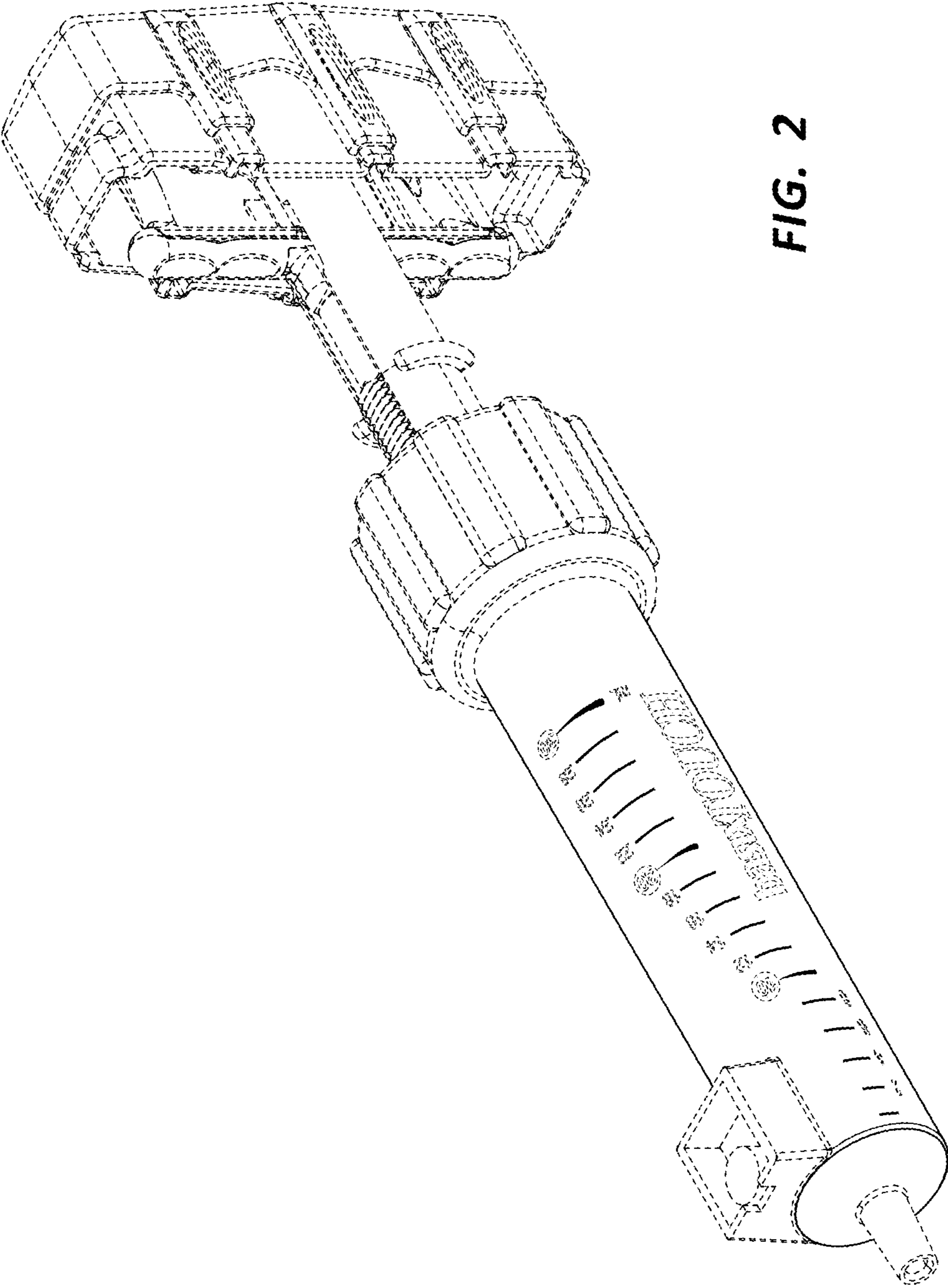


FIG. 2

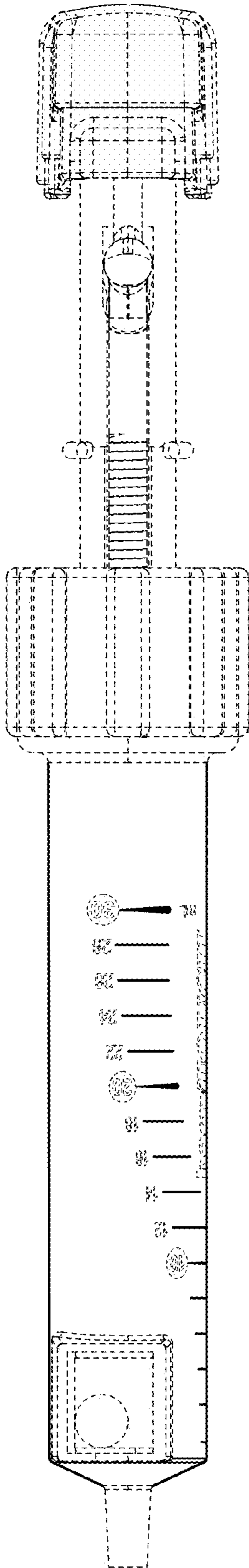


FIG. 3

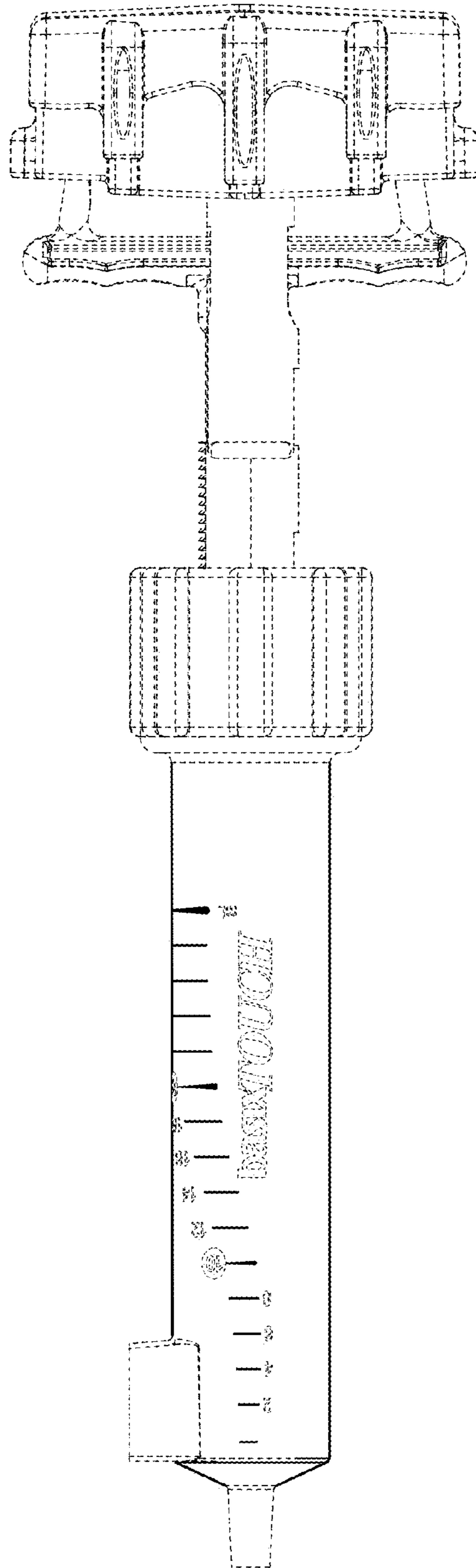


FIG. 4

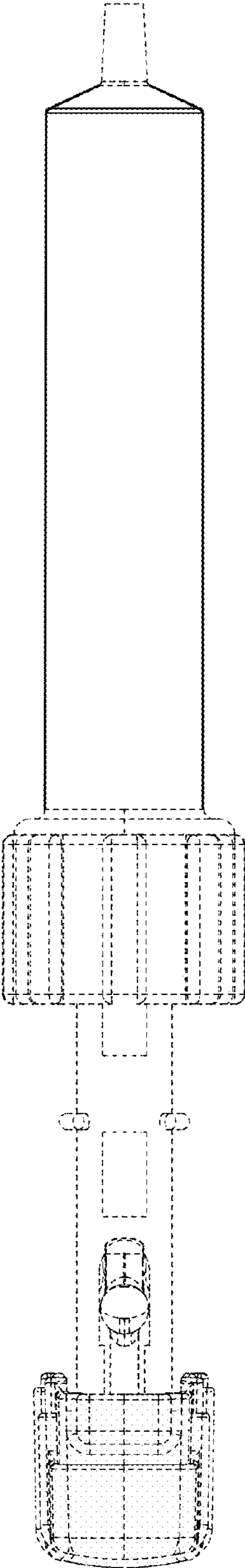


FIG. 5

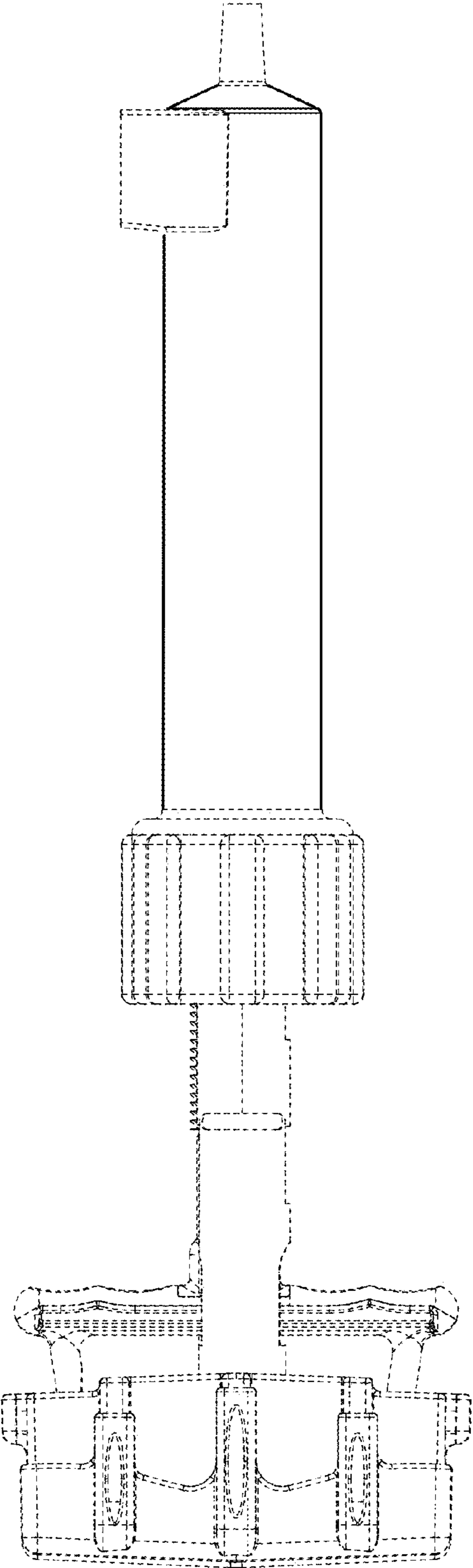


FIG. 6

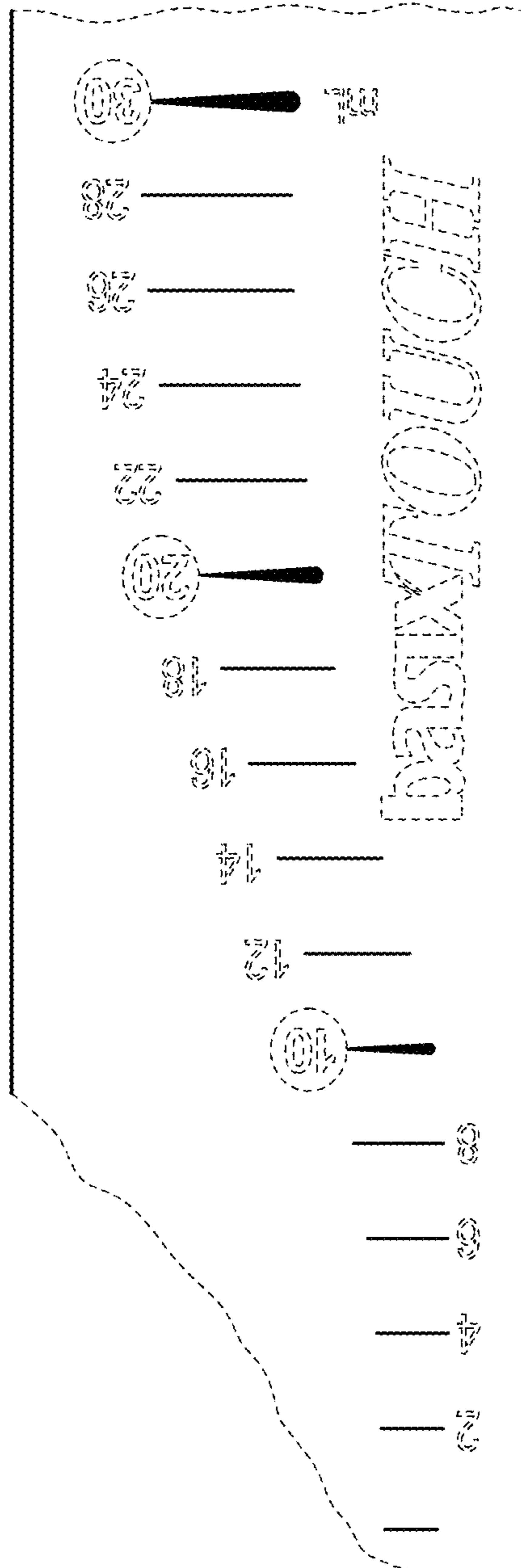


FIG. 7