



US00D731051S

(12) **United States Design Patent**
Olson et al.

(10) **Patent No.:** **US D731,051 S**
(45) **Date of Patent:** **** Jun. 2, 2015**

(54) **DRUG DELIVERY DEVICE**

(71) Applicants: **Lorin Olson**, Scotts Valley, CA (US);
Peter Krulevitch, Pleasanton, CA (US);
Nicholas Foley, Edinburgh (GB); **James Glencross**, Edinburgh (GB); **Rochelle Kleinberg**, New York, NY (US); **David Shepherd**, Edinburgh (GB)

(72) Inventors: **Lorin Olson**, Scotts Valley, CA (US);
Peter Krulevitch, Pleasanton, CA (US);
Nicholas Foley, Edinburgh (GB); **James Glencross**, Edinburgh (GB); **Rochelle Kleinberg**, New York, NY (US); **David Shepherd**, Edinburgh (GB)

(73) Assignee: **Janssen Biotech, Inc.**, Malvern, PA (US)

(**) Term: **14 Years**

(21) Appl. No.: **29/449,399**

(22) Filed: **Mar. 15, 2013**

(51) **LOC (10) Cl.** **24-02**

(52) **U.S. Cl.**
USPC **D24/114**

(58) **Field of Classification Search**
USPC D24/112-114, 133, 186, 104, 130, 127,
D24/121, 224, 176; 606/181, 185; 604/232,
604/187, 158, 164.08, 192, 263, 181, 184,
604/198, 227

See application file for complete search history.

(56) **References Cited**

U.S. PATENT DOCUMENTS

3,742,948 A 7/1973 Post et al.
D323,032 S * 1/1992 McCrary D24/122

(Continued)

FOREIGN PATENT DOCUMENTS

EP 1703929 10/2009
FR 2770404 5/1999

(Continued)

OTHER PUBLICATIONS

West, Self Injection Technologies SelfDose injector platform technology Oct. 16, 2012, <http://www.westpharma.com/en/products/Pages/SelfDose.aspx>.*

(Continued)

Primary Examiner — David Muller

Assistant Examiner — Nathan Johnston

(74) *Attorney, Agent, or Firm* — Baker & Hostetler LLP

(57) **CLAIM**

The ornamental design for a drug delivery device, as shown and described.

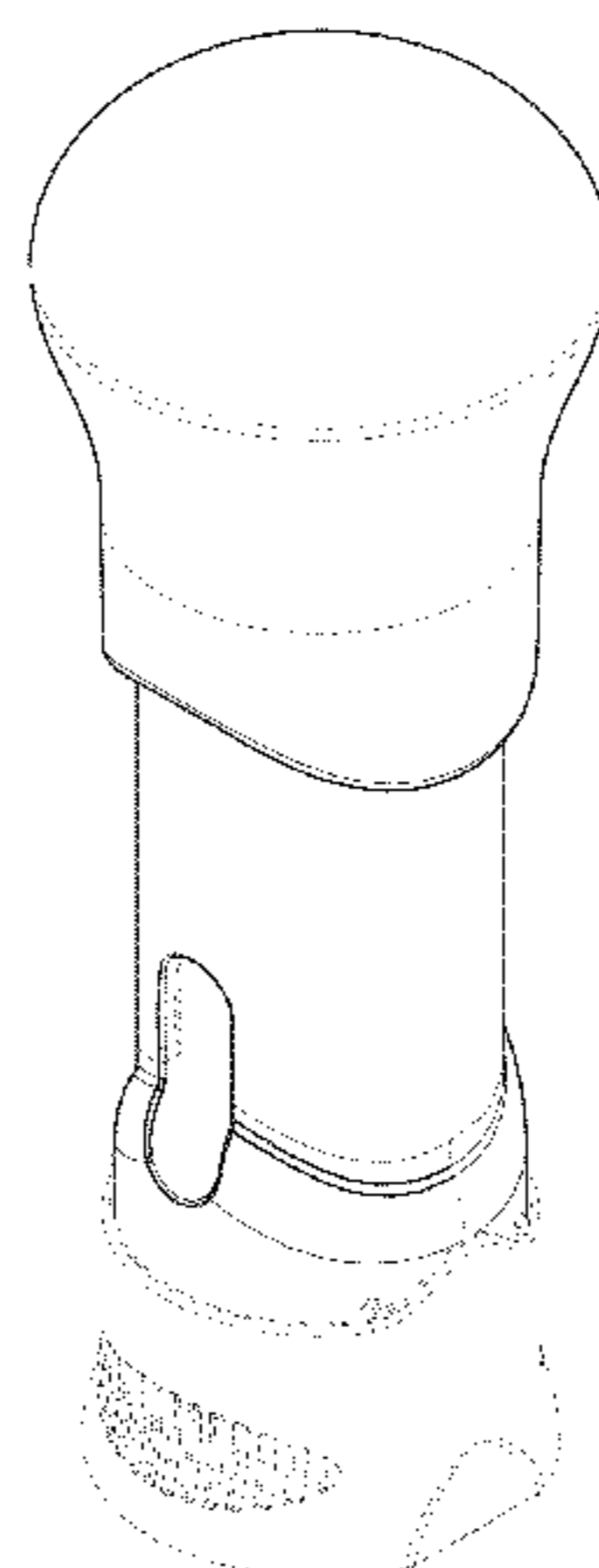
DESCRIPTION

This application is related by subject matter to U.S. patent application Ser. No. 29/370,686, filed Aug. 19, 2010 and to U.S. patent application Ser. No. 29/370,687, filed Aug. 19, 2010.

FIG. 1 is a top, left, front perspective view of a drug delivery device according to an embodiment of our design, the drug delivery device being shown in a pre-use position;
FIG. 2 is a top, left, rear perspective view thereof;
FIG. 3 is a bottom, left, rear perspective view thereof;
FIG. 4 is a bottom, right, front perspective view thereof;
FIG. 5 is a front elevation view thereof;
FIG. 6 is a rear elevation view thereof;
FIG. 7 is a left side elevation view thereof;
FIG. 8 is a right side elevation view thereof;
FIG. 9 is a top plan view thereof;
FIG. 10 is a bottom plan view thereof;
FIG. 11 is a top, left, front perspective view of the drug delivery device shown in FIG. 1 in a post-use position;
FIG. 12 is a bottom, right, rear perspective view thereof;
FIG. 13 is a front elevation view thereof;
FIG. 14 is a rear elevation view thereof;
FIG. 15 is a left side elevation view thereof;
FIG. 16 is a right side elevation view thereof;
FIG. 17 is a top plan view thereof;
FIG. 18 is a bottom view thereof;
FIG. 19 is a bottom plan view taken along the line 19-19 shown in FIG. 13; and,
FIG. 20 is a top plan view taken along the line 20-20 shown in FIG. 13.

The broken line portion of the figure drawings is included to show unclaimed subject matter only for the purpose of illustrating environment and forms no part of the claimed design.

1 Claim, 9 Drawing Sheets



(56)

References Cited

U.S. PATENT DOCUMENTS

5,271,527 A 12/1993 Haber et al.
 5,295,965 A 3/1994 Wilmot
 5,378,233 A 1/1995 Haber et al.
 5,540,664 A 7/1996 Wyrick
 5,795,336 A 8/1998 Romano et al.
 5,873,856 A 2/1999 Hjertman et al.
 5,957,896 A 9/1999 Bendek et al.
 D418,917 S 1/2000 Duchon et al.
 D428,650 S * 7/2000 Bellhouse et al. D24/112
 6,183,446 B1 2/2001 Jeanbourquin
 D485,365 S 1/2004 Py et al.
 D488,382 S * 4/2004 Calello D9/521
 D491,275 S 6/2004 Walters et al.
 6,805,686 B1 10/2004 Fathallah et al.
 6,808,507 B2 10/2004 Roser
 D510,139 S 9/2005 Gilad et al.
 6,986,760 B2 1/2006 Giambattista et al.
 7,011,649 B2 3/2006 De La Serna et al.
 7,074,211 B1 7/2006 Heiniger et al.
 7,112,187 B2 9/2006 Karlsson
 D533,457 S * 12/2006 Snyder D9/521
 D548,336 S * 8/2007 Galbraith D24/114
 7,252,651 B2 8/2007 Haider et al.
 D559,396 S 1/2008 Dave
 D562,987 S 2/2008 Colin et al.
 D567,388 S 4/2008 Harold et al.
 7,361,160 B2 4/2008 Hommann et al.
 D577,814 S * 9/2008 Seki et al. D24/107
 D596,744 S 7/2009 Hull et al.
 7,585,287 B2 9/2009 Bresina et al.
 D612,487 S 3/2010 Hunter et al.
 D613,400 S 4/2010 Hunter et al.
 D613,401 S 4/2010 Hunter et al.
 D613,861 S 4/2010 Hunter et al.
 D619,720 S 7/2010 Cheetham
 D623,738 S 9/2010 Van der Stappen
 D627,459 S 11/2010 Uchida et al.
 D633,199 S * 2/2011 MacKay et al. D24/127
 7,918,824 B2 * 4/2011 Bishop et al. 604/136
 D644,516 S * 9/2011 Howell et al. D9/521
 D644,529 S * 9/2011 Padain et al. D9/529
 D647,613 S * 10/2011 Paget et al. D24/133

D677,382 S 3/2013 Foley
 D678,514 S 3/2013 Foley
 D697,205 S * 1/2014 Schneider et al. D24/113
 D719,650 S * 12/2014 Arinobe et al. D24/130
 2004/0019326 A1 1/2004 Gilbert et al.
 2005/0222539 A1 10/2005 Gonzales et al.
 2005/0273061 A1 12/2005 Hommann et al.
 2006/0142691 A1 6/2006 Trautman et al.
 2006/0189938 A1 8/2006 Hommann et al.
 2006/0229569 A1 10/2006 Lavi et al.
 2006/0270984 A1 11/2006 Hommann et al.
 2006/0270985 A1 11/2006 Hommann et al.
 2007/0173770 A1 7/2007 Stamp
 2008/0228147 A1 9/2008 David-Hegerich et al.
 2009/0292257 A1 11/2009 Barrelle et al.
 2009/0299295 A1 12/2009 Rubinstein et al.
 2010/0292653 A1 11/2010 Maritan
 2011/0092915 A1 4/2011 Olson et al.
 2013/0204229 A1 8/2013 Olson et al.

FOREIGN PATENT DOCUMENTS

FR 2884722 10/2006
 FR 2905273 3/2008
 JP 2007/0117438 5/2007
 JP 2008/0220949 9/2008
 JP 2008/0536597 9/2008
 JP D1431935 1/2012
 WO WO 02/32484 4/2002
 WO WO 2005/058396 6/2005
 WO WO 2006/079064 7/2006
 WO WO 2006/111859 10/2006
 WO WO 2006/111864 10/2006
 WO WO 2006/117691 11/2006
 WO WO 2006/129196 12/2006
 WO WO 2008/010738 9/2008
 WO WO 2009/095805 8/2009
 WO WO 2010/017650 2/2010

OTHER PUBLICATIONS

Zosano Pharma, "ZP-PTH Lead Product", http://www.zosanopharma.com/index.php?option=com_content&Task=view&id=278&Itemid=167, Jun. 2, 2011, 2 pages.

* cited by examiner

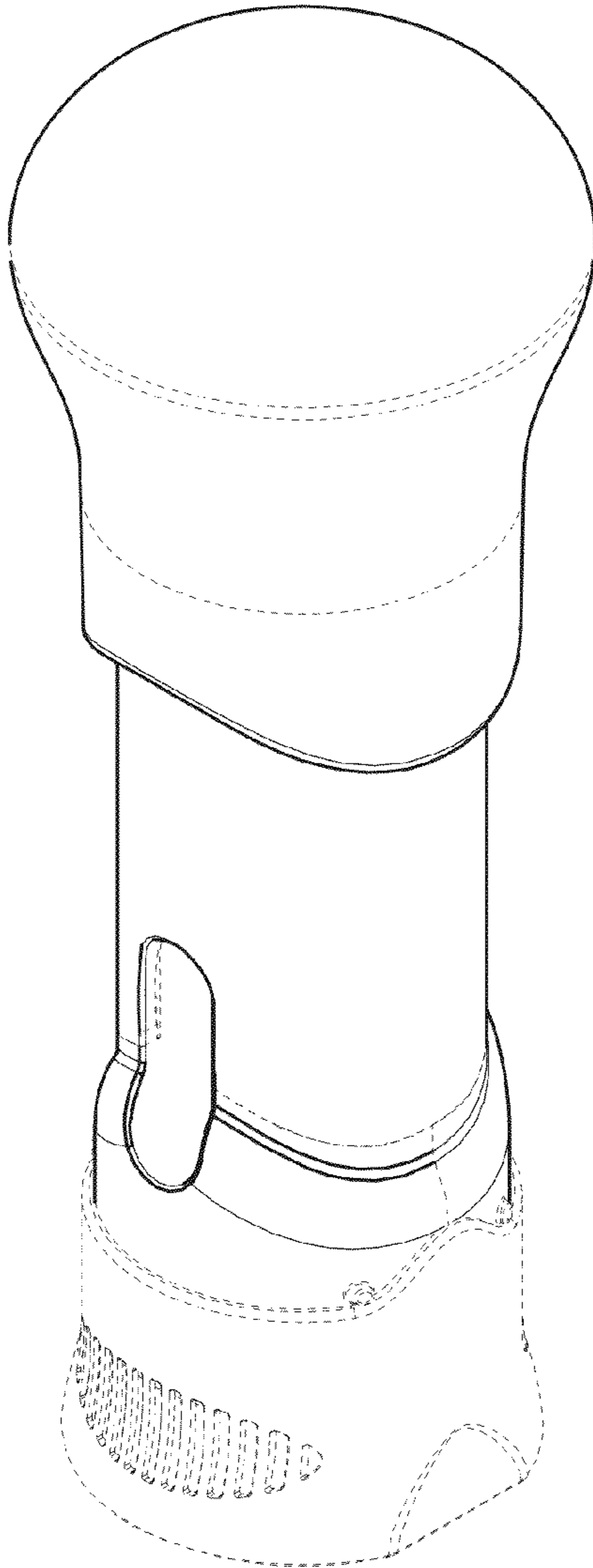


Fig.1

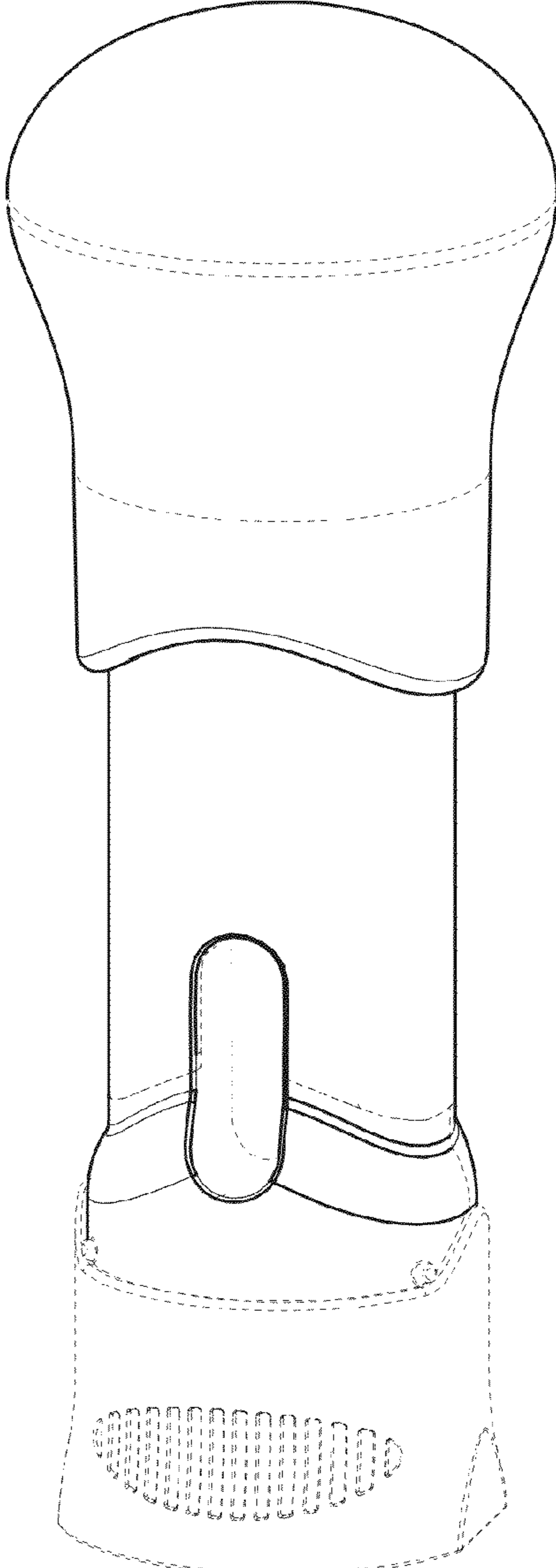


Fig.2

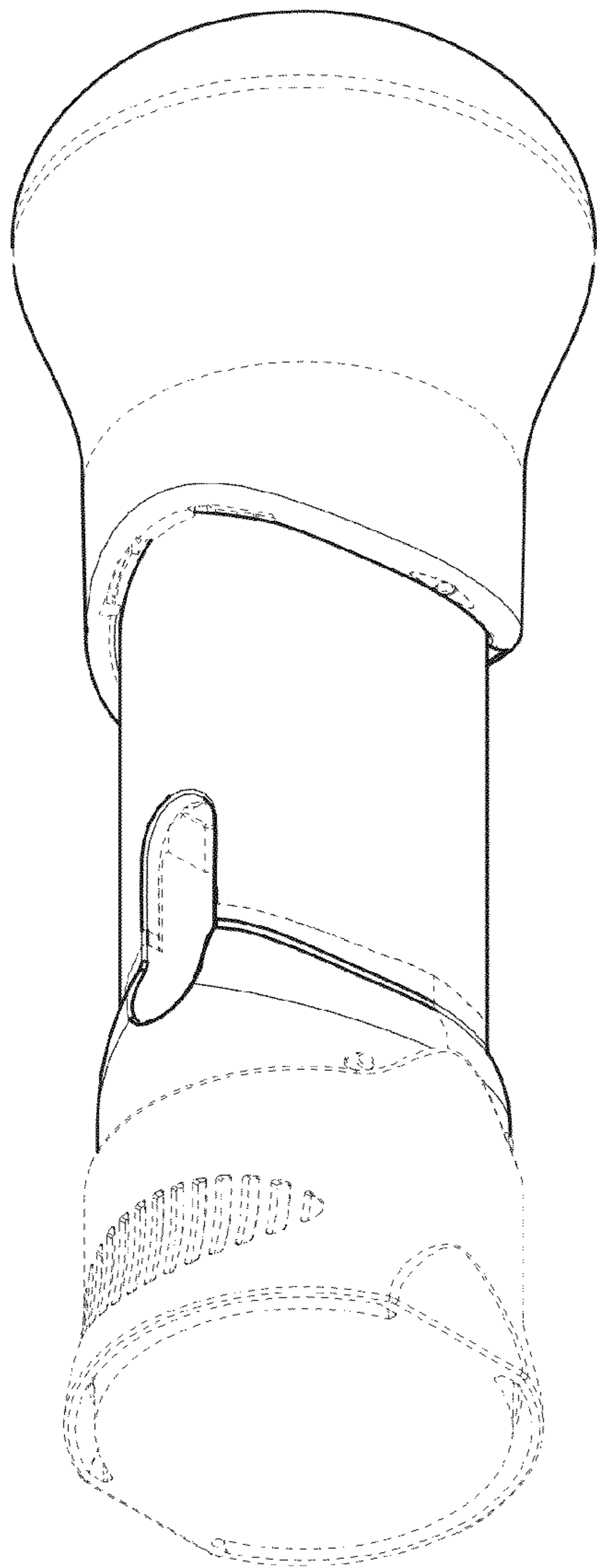


Fig.3

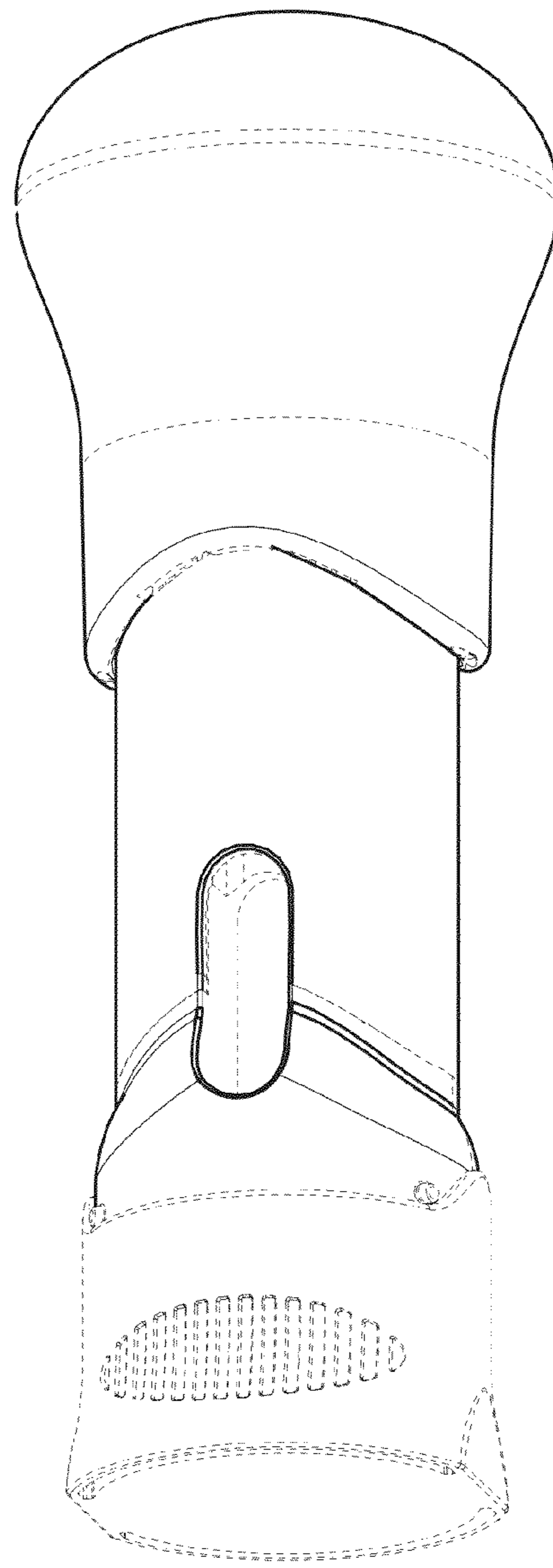


Fig.4

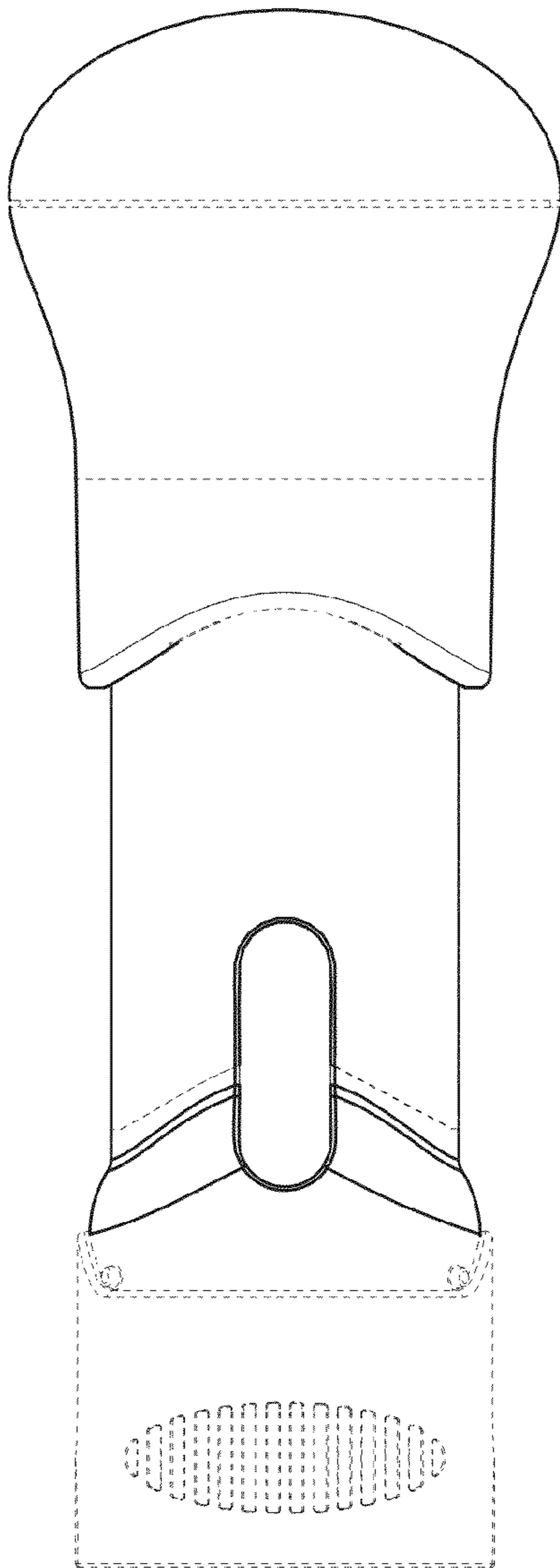


Fig.5

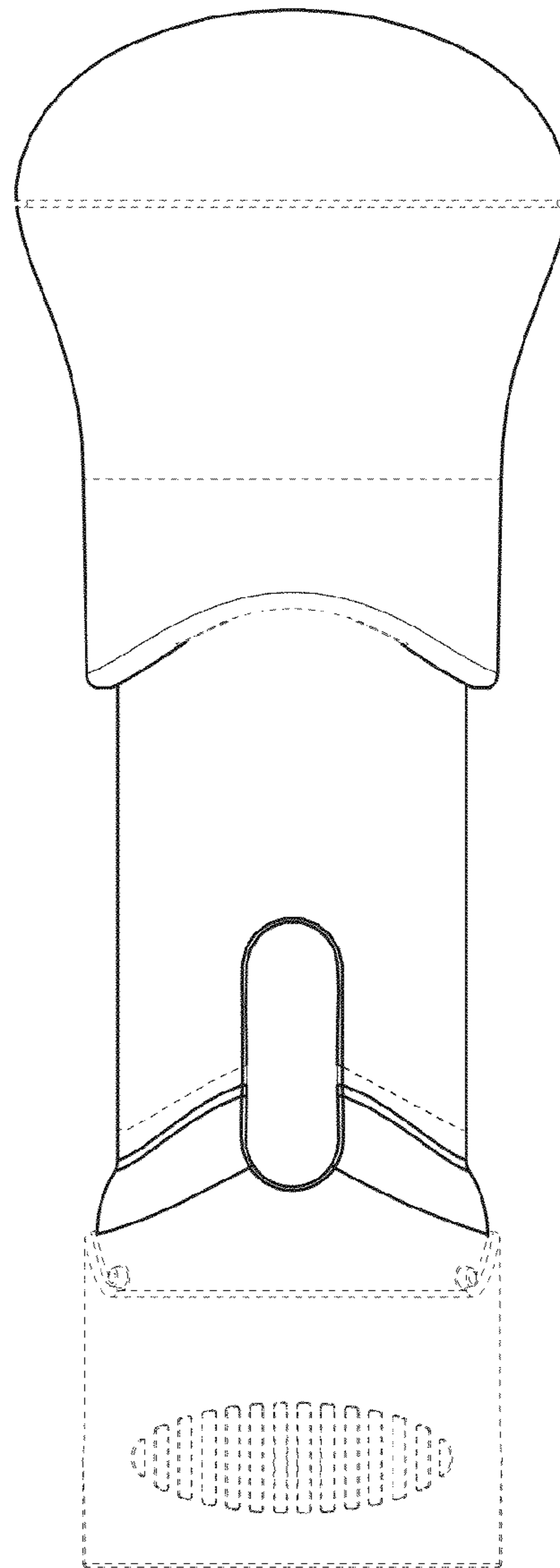


Fig.6

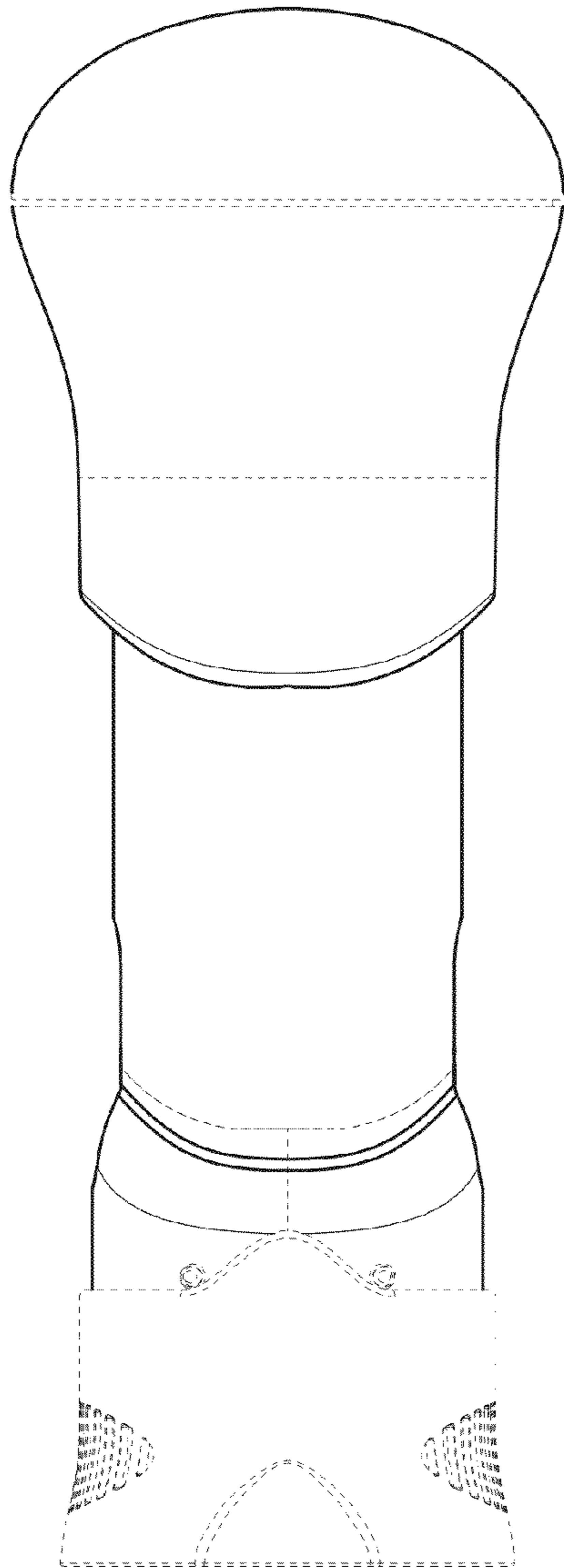


Fig.7

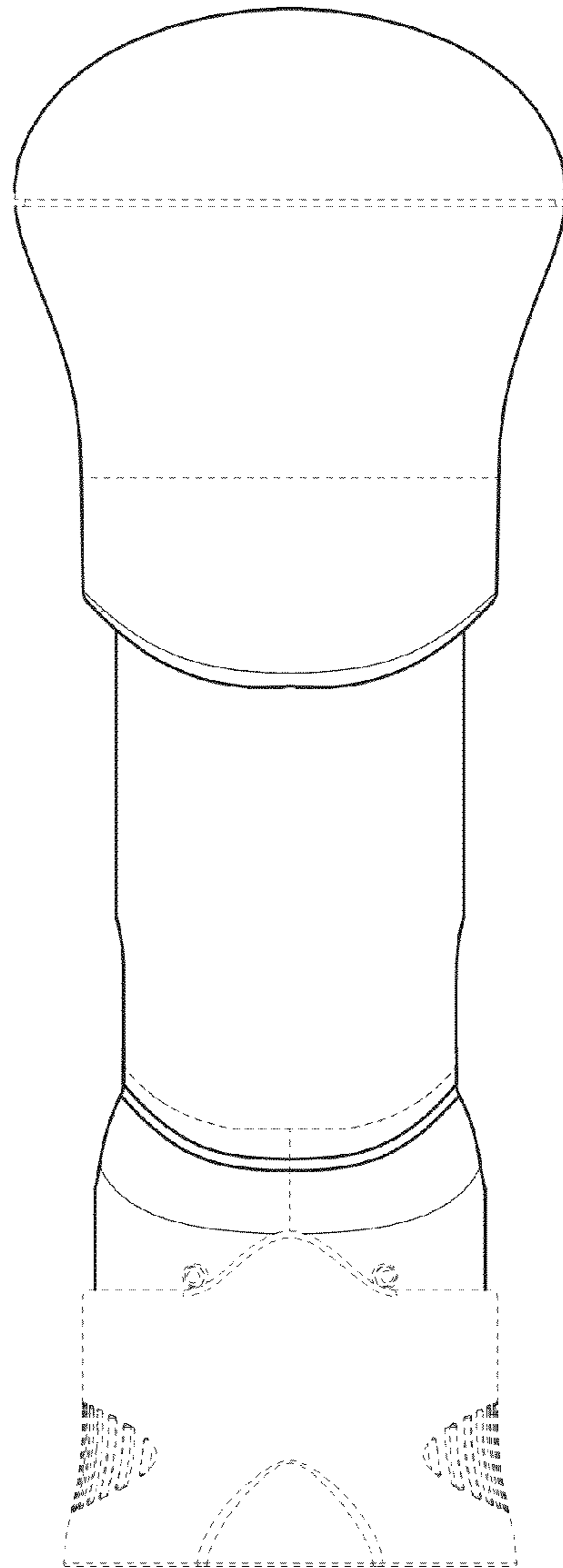


Fig.8

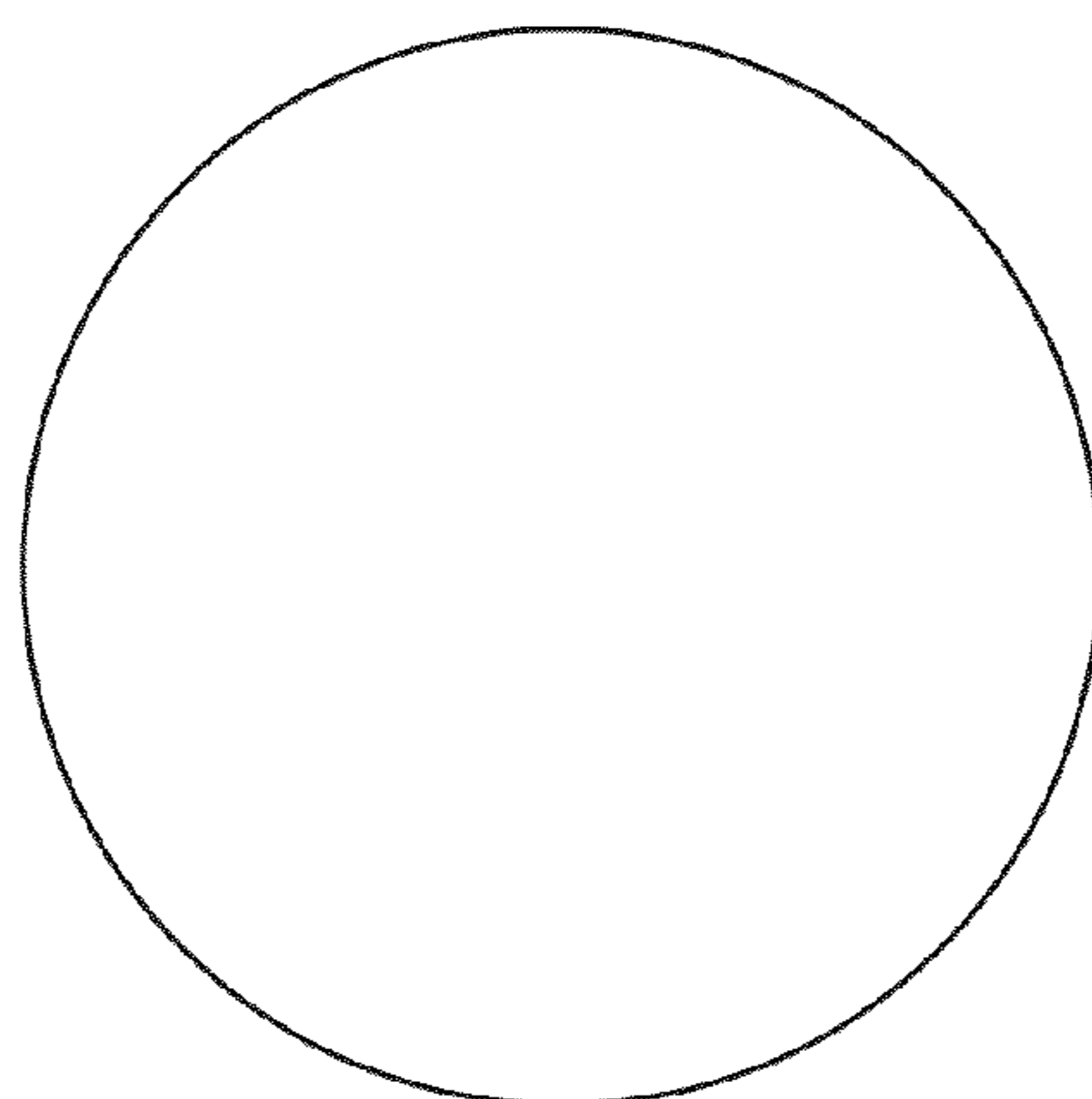


Fig.9

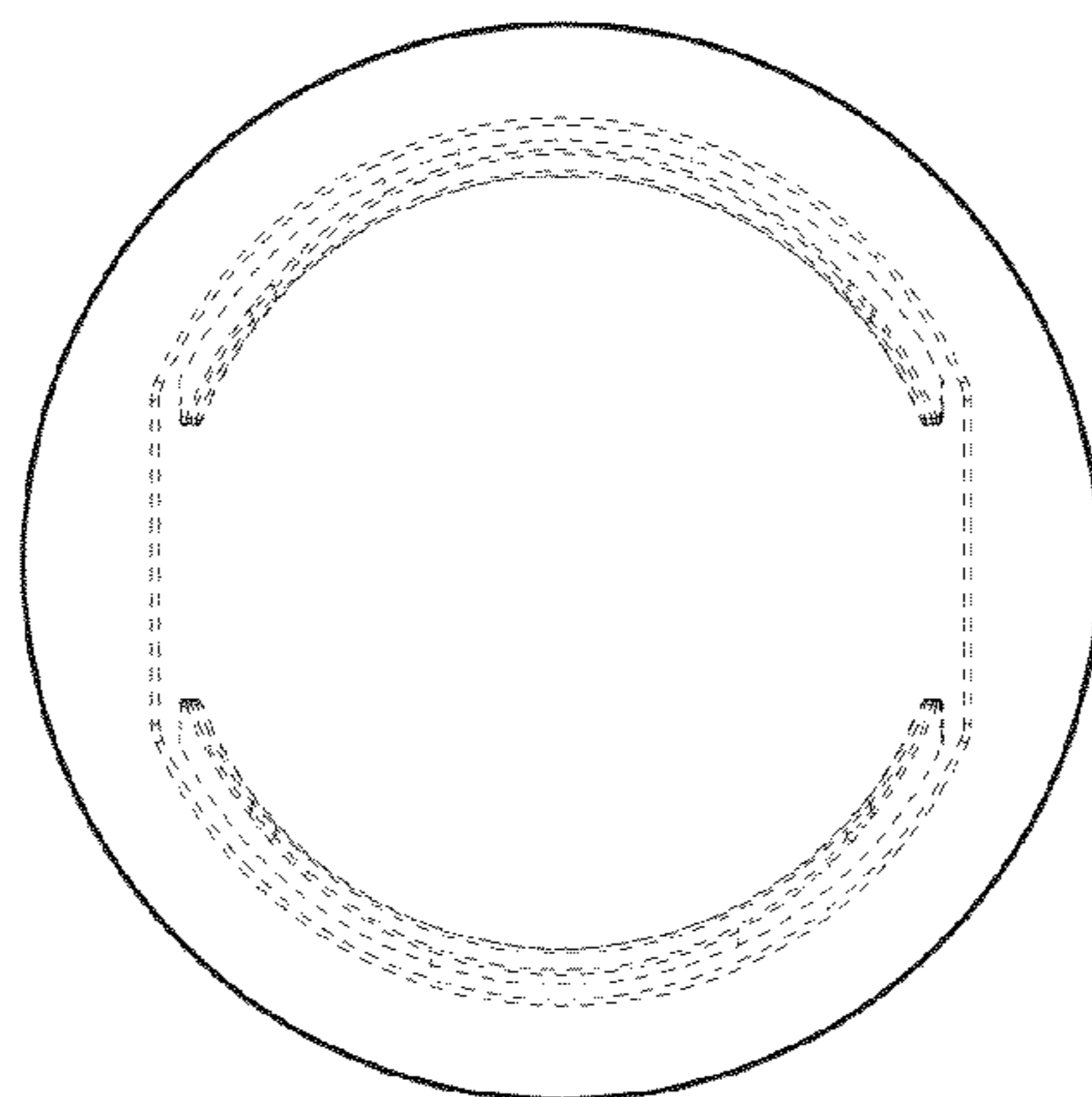


Fig.10

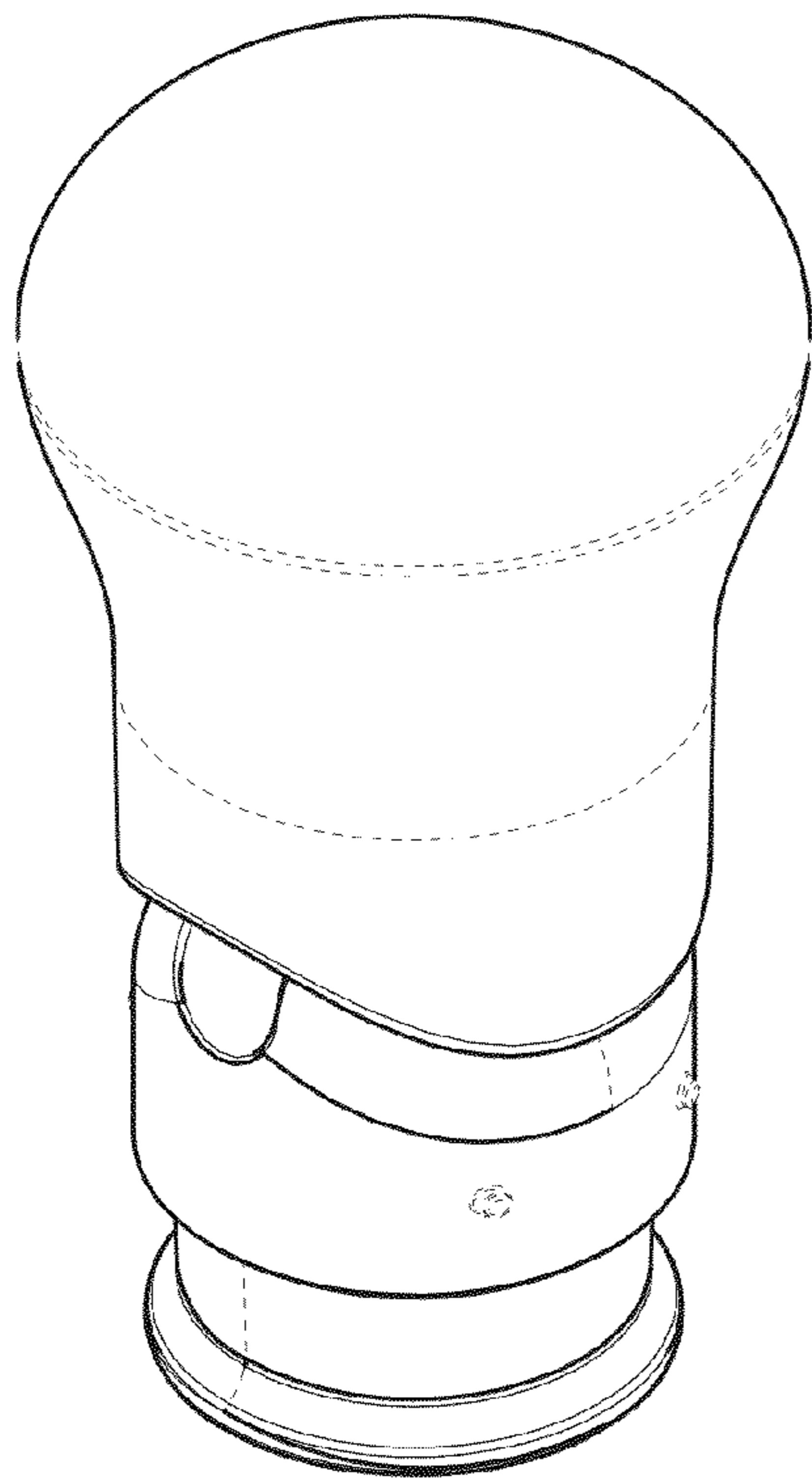


Fig.11

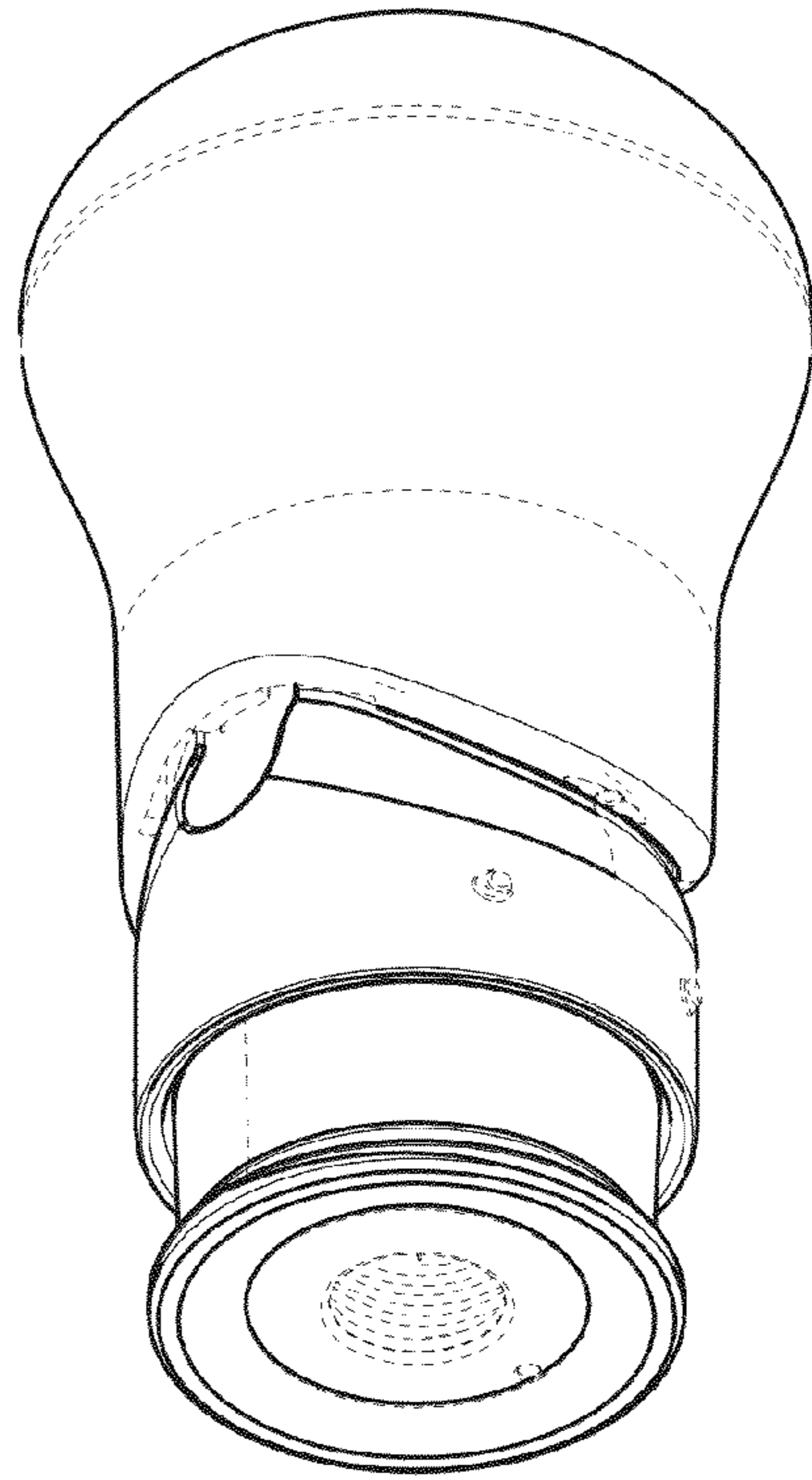
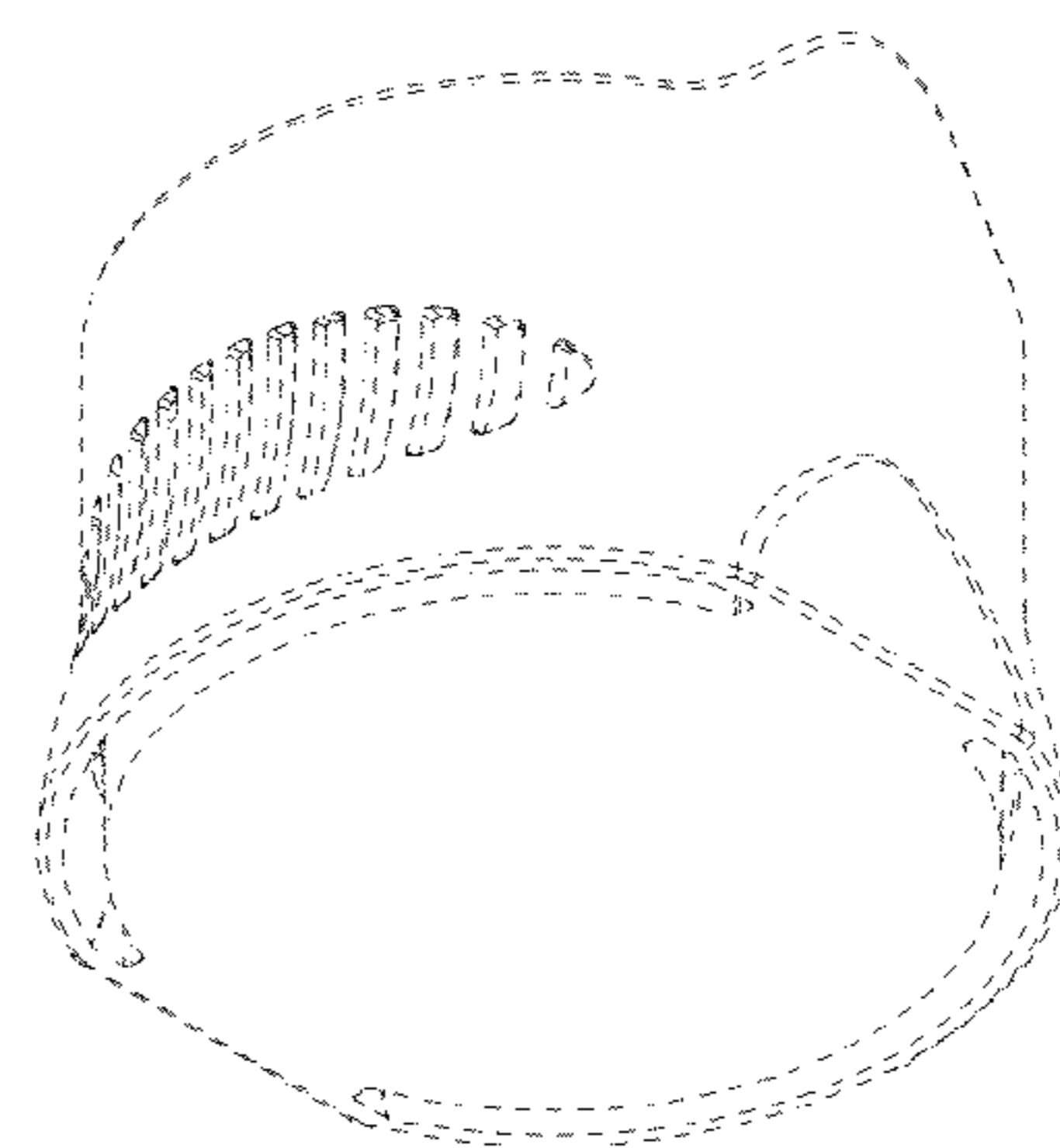
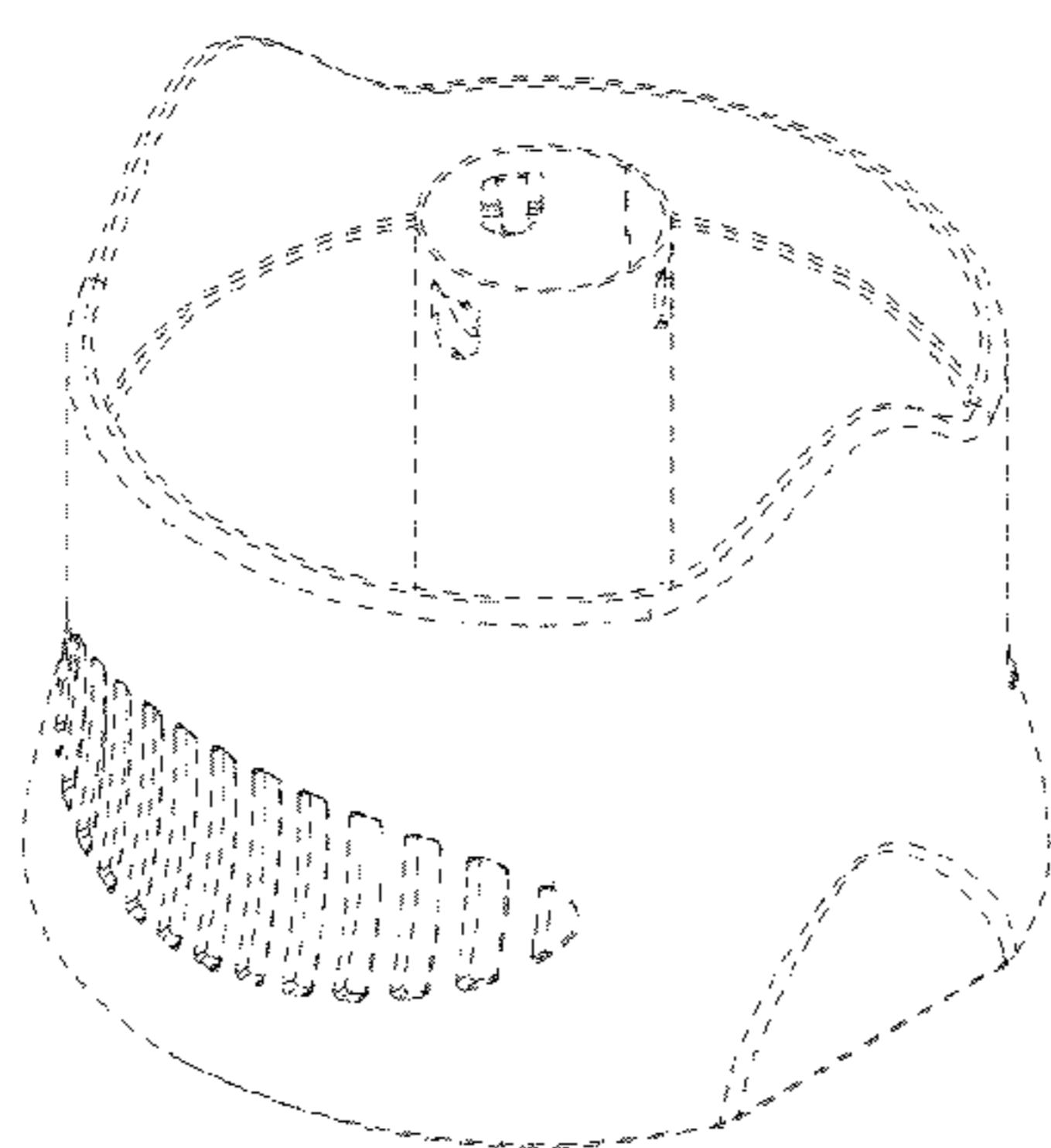


Fig.12



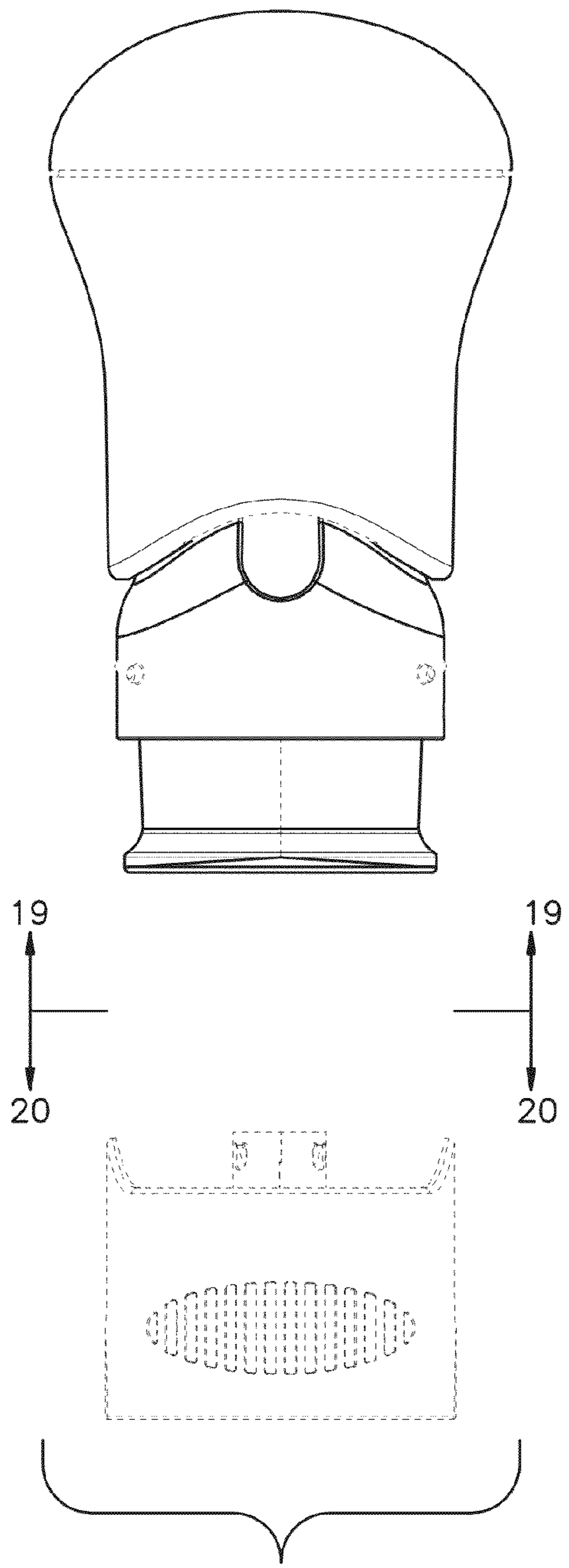


Fig.13

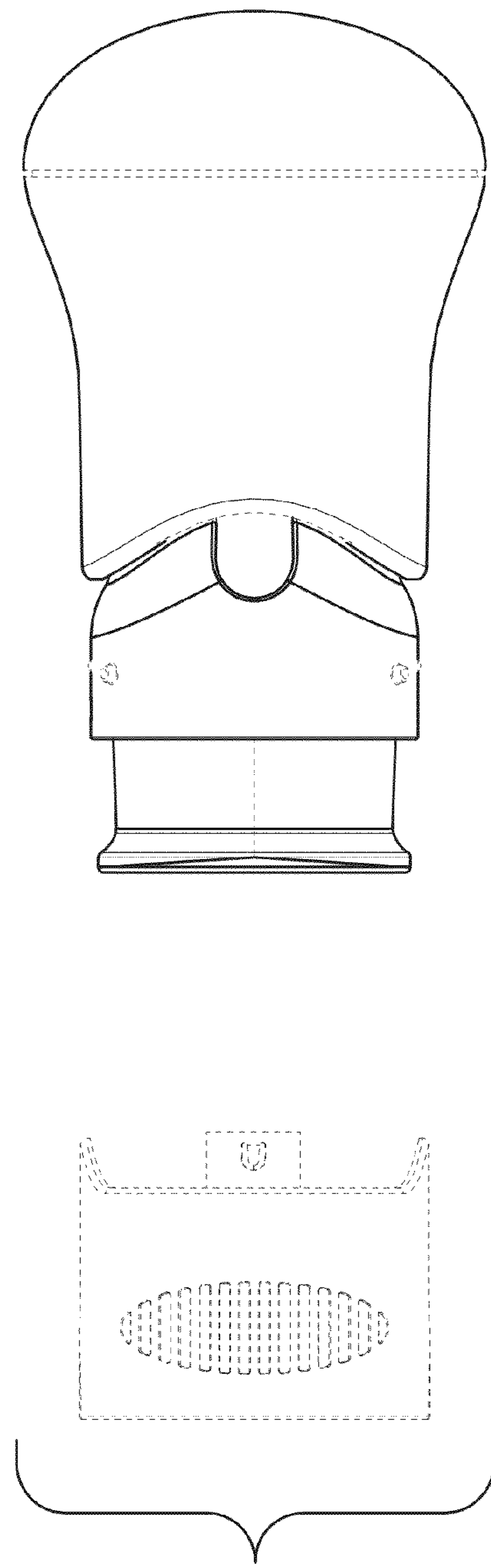


Fig.14

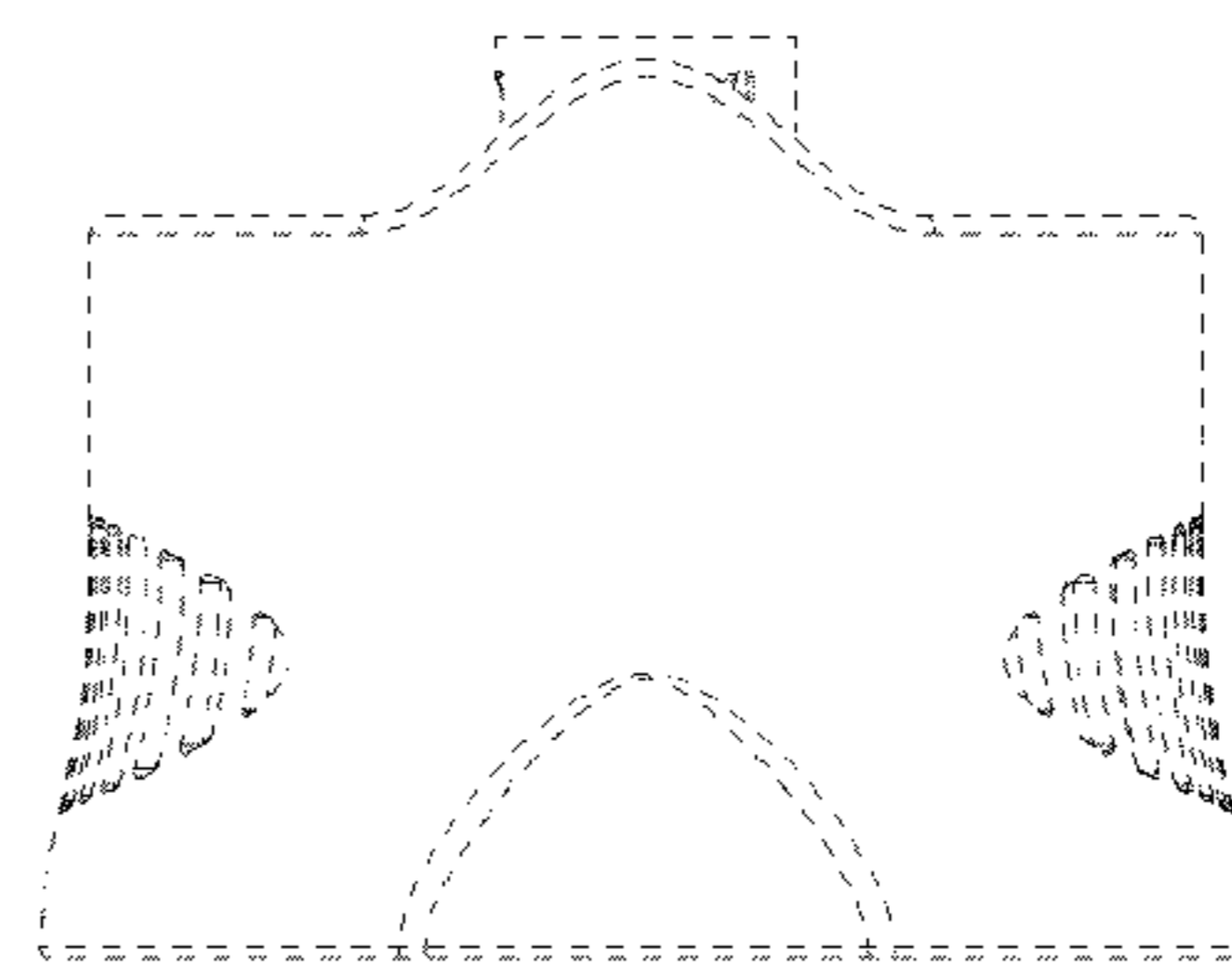
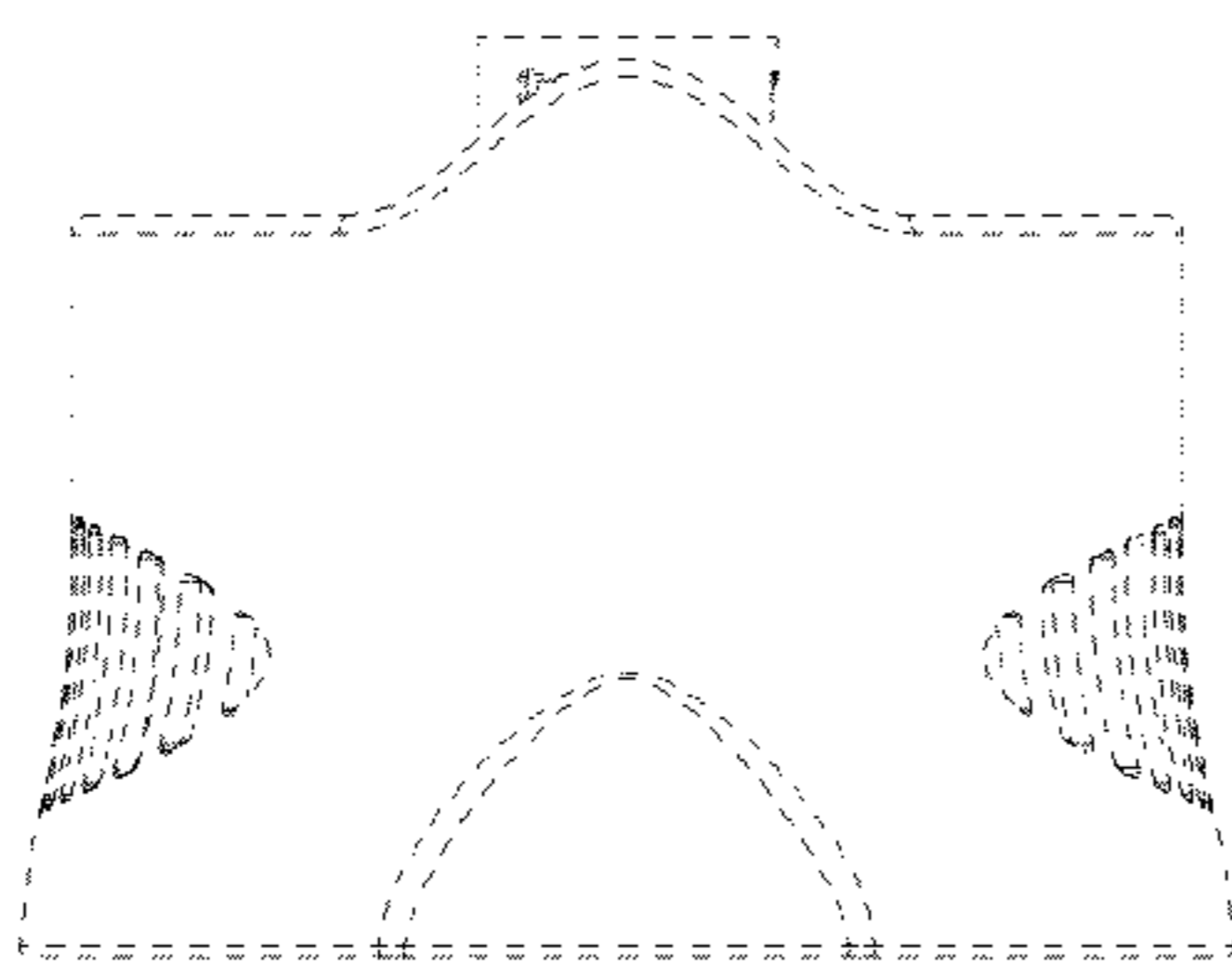
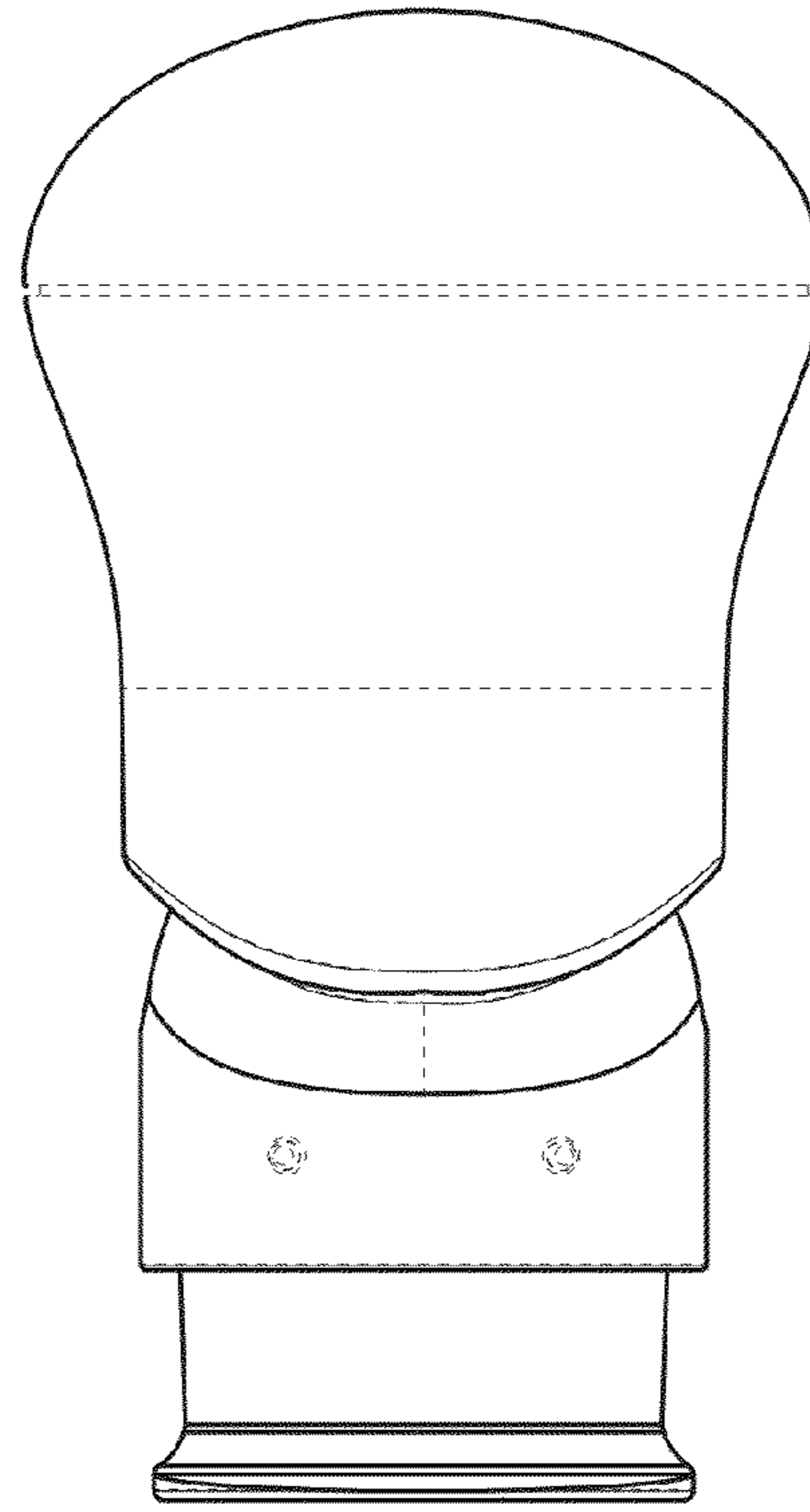
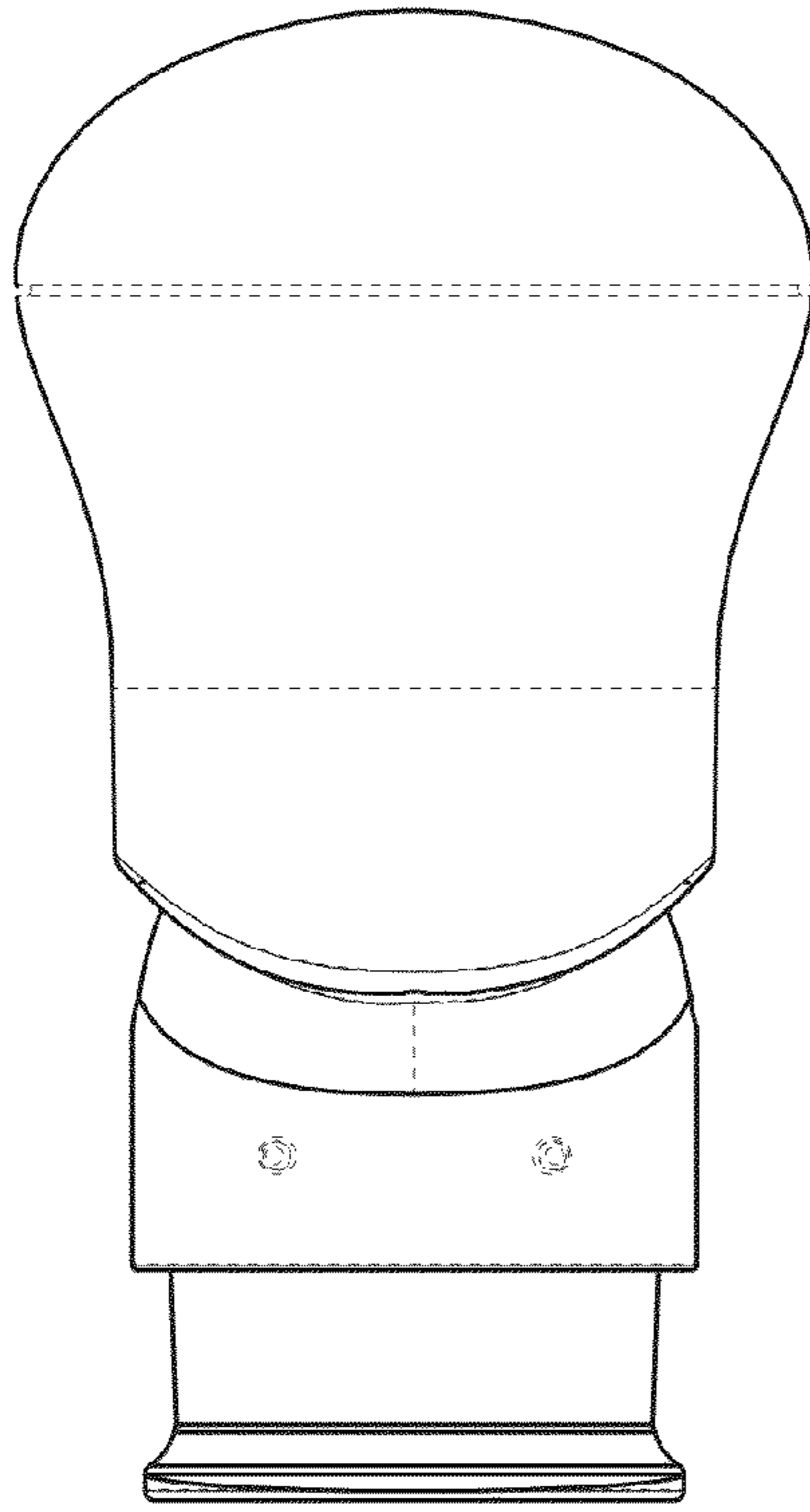


Fig.15

Fig.16

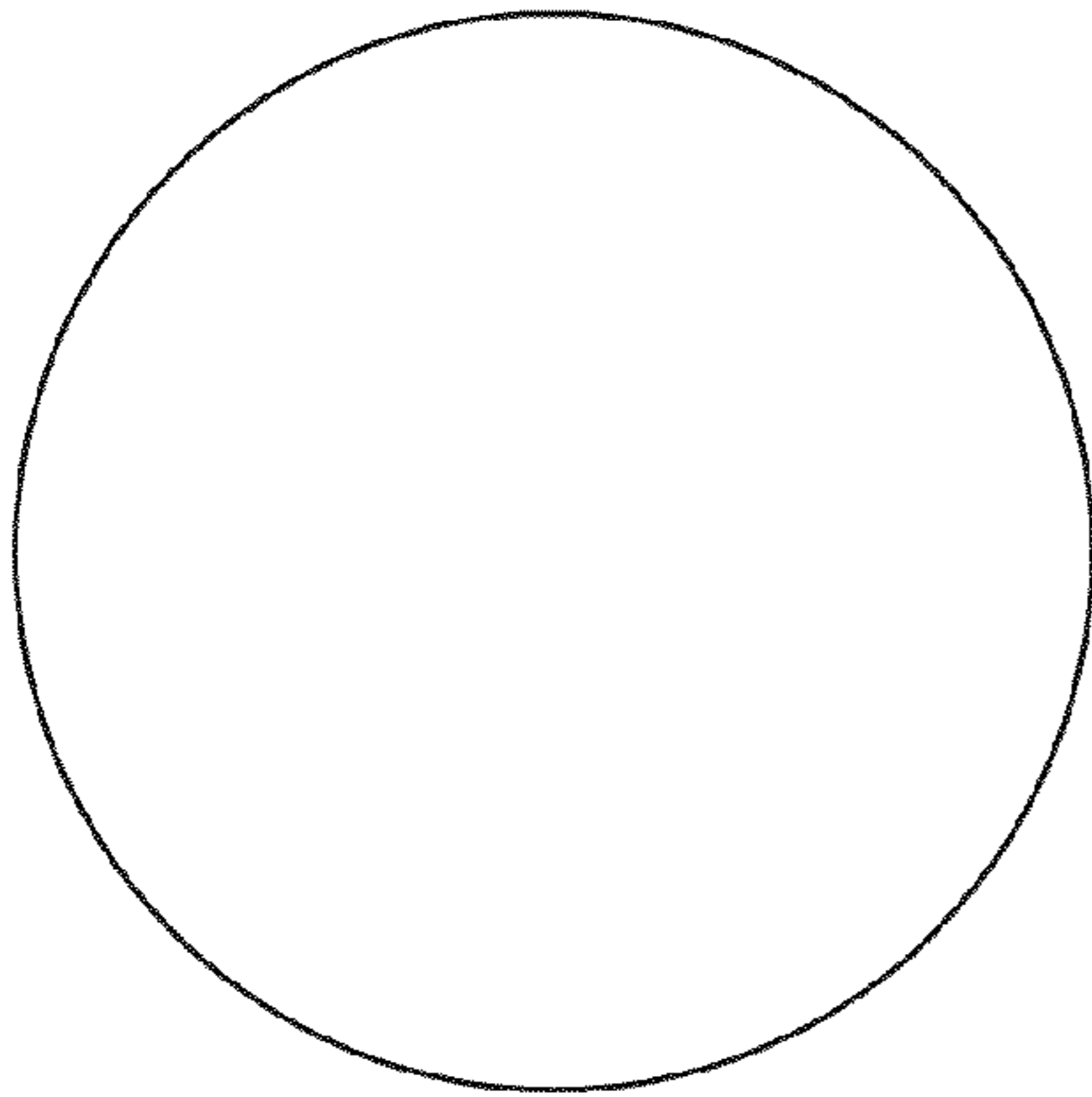


Fig.17

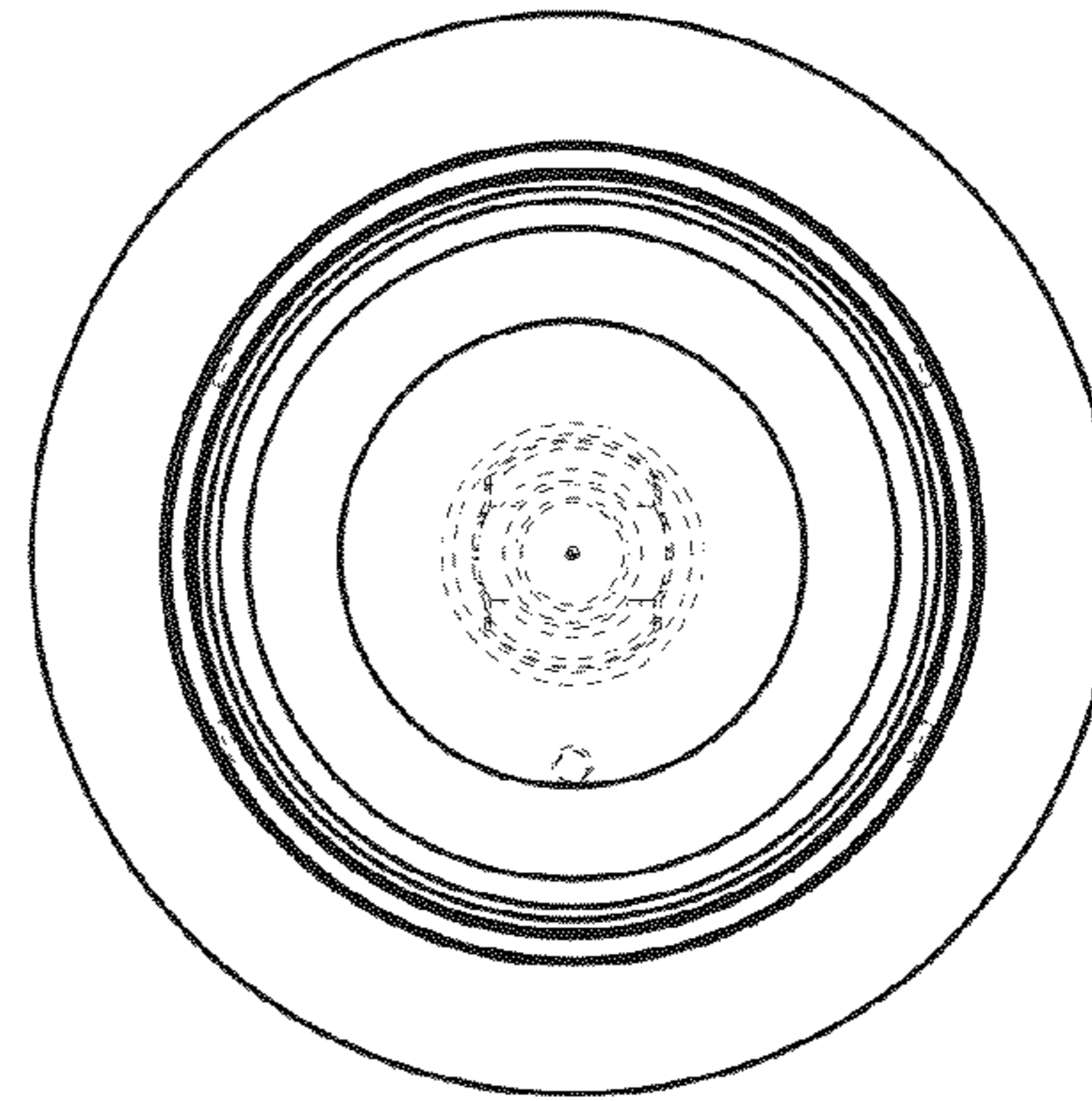


Fig.19

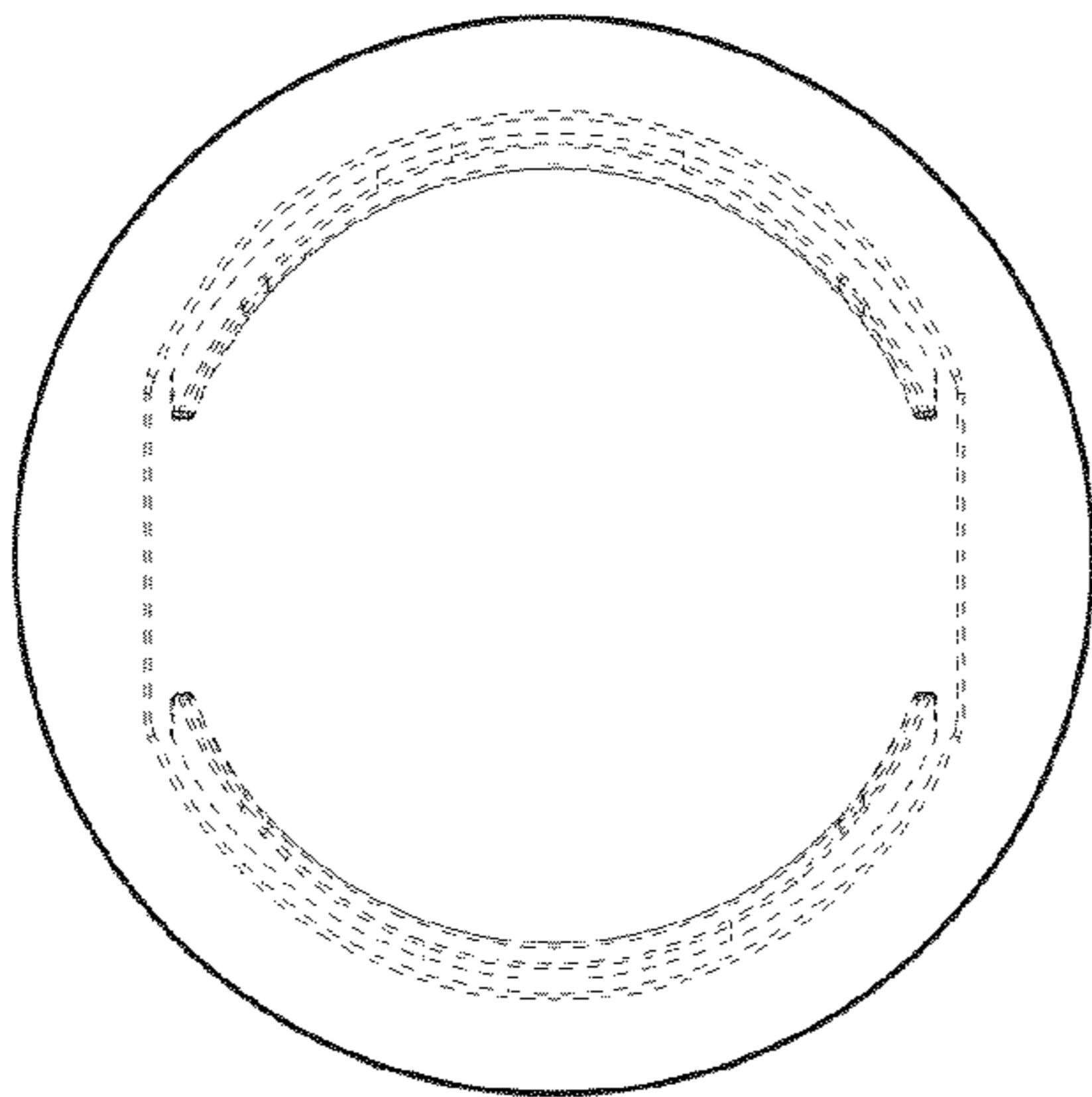


Fig.18

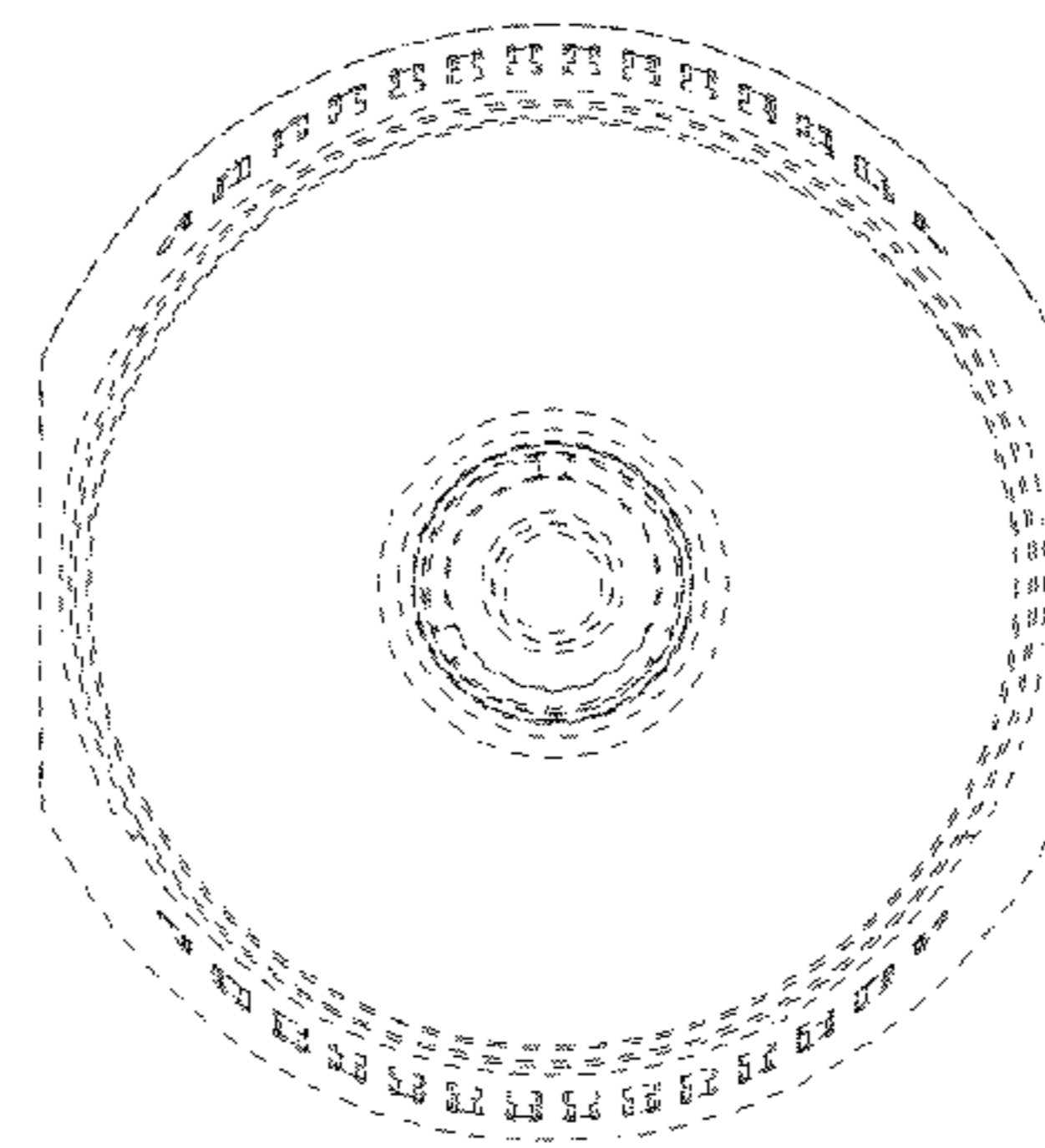


Fig.20