



US00D731050S

(12) **United States Design Patent**
Meyer

(10) **Patent No.:** **US D731,050 S**
(45) **Date of Patent:** **** Jun. 2, 2015**

(54) **OSCILLATING POSITIVE EXPIRATORY PRESSURE DEVICE**

(71) Applicant: **Trudell Medical International**, London (CA)

(72) Inventor: **Adam Meyer**, London (CA)

(73) Assignee: **Trudell Medical International**, London (CA)

(**) Term: **14 Years**

(21) Appl. No.: **29/438,878**

(22) Filed: **Dec. 4, 2012**

Related U.S. Application Data

(63) Continuation of application No. 13/489,894, filed on Jun. 6, 2012.

(51) **LOC (10) Cl.** **29-02**

(52) **U.S. Cl.**
USPC **D24/110.5**

(58) **Field of Classification Search**
USPC D24/107, 108, 110, 111, 164;
128/200.14, 200.23, 202.21, 203.15,
128/203.21, 205.24

CPC A61M 16/0006; A61M 16/205; A61M 15/00
See application file for complete search history.

(56) **References Cited**

U.S. PATENT DOCUMENTS

393,869 A	12/1888	Warren
938,808 A	11/1909	Yount
2,670,739 A	3/1954	NcNeill
2,918,917 A	12/1959	Emerson
3,710,780 A	1/1973	Milch
3,908,987 A	9/1975	Boehringer
4,054,134 A	10/1977	Kritzer
4,062,358 A	12/1977	Kritzer
4,182,366 A	1/1980	Boehringer

4,198,969 A	4/1980	Virag
4,221,381 A	9/1980	Ericson
4,226,233 A	10/1980	Kritzer
4,231,375 A	11/1980	Boehringer et al.
4,267,832 A	5/1981	Hakkinen
4,275,722 A	6/1981	Sorensen

(Continued)

FOREIGN PATENT DOCUMENTS

EP	0 372 148 A1	6/1990
EP	0 678 306 A2	10/1995

(Continued)

OTHER PUBLICATIONS

U.S. Appl. No. 12/472,215, filed May 26, 2009, Meyer et al.

(Continued)

Primary Examiner — Deanna L Pratt

Assistant Examiner — Lilyana Bekic

(74) *Attorney, Agent, or Firm* — Brinks Gilson & Lione

(57) **CLAIM**

The ornamental design for an oscillating positive expiratory pressure device, as shown and described.

DESCRIPTION

FIG. 1 is a perspective view of an oscillating positive expiratory pressure device showing the new design;

FIG. 2 is a rear view thereof;

FIG. 3 is a front view thereof;

FIG. 4 is a top view thereof;

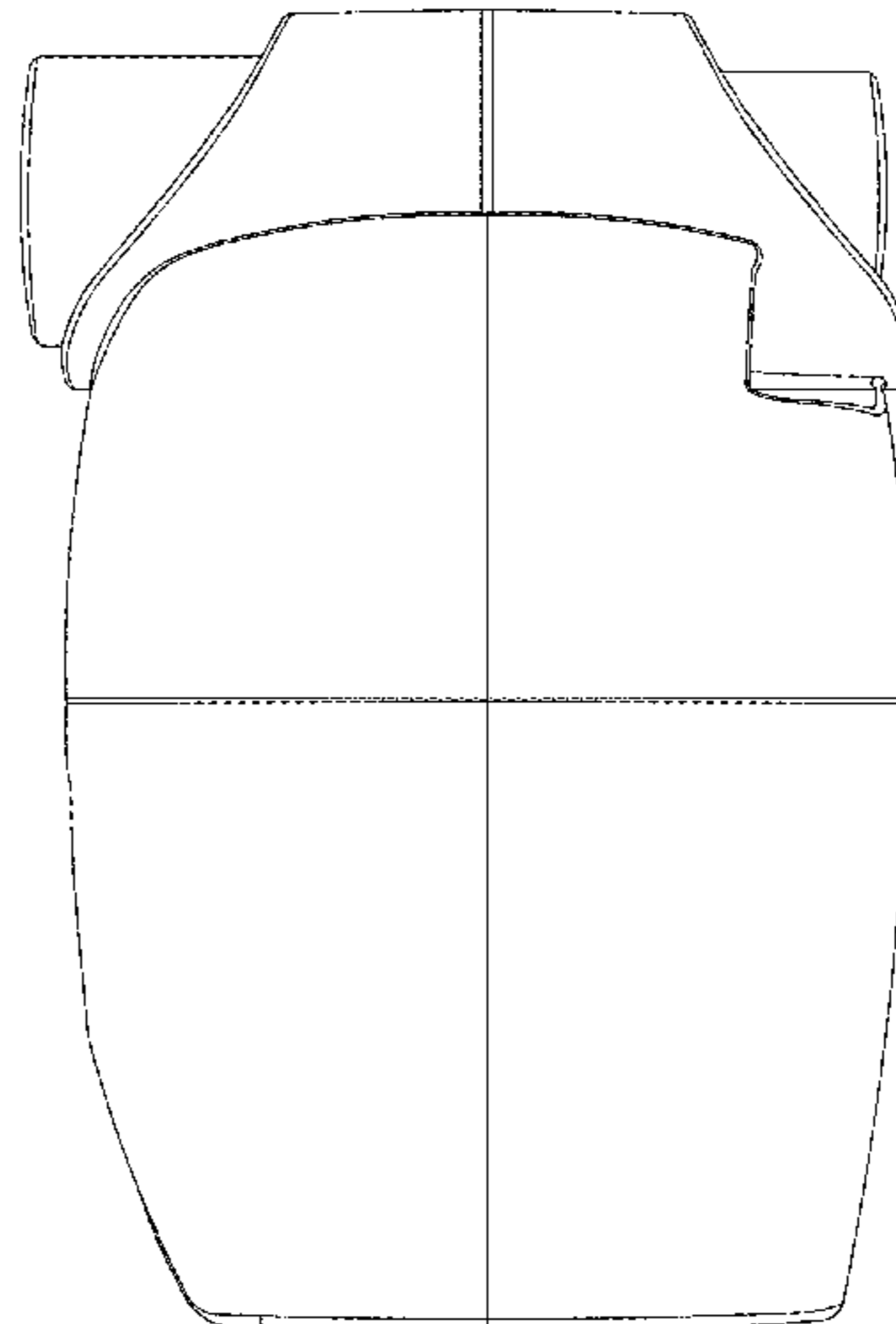
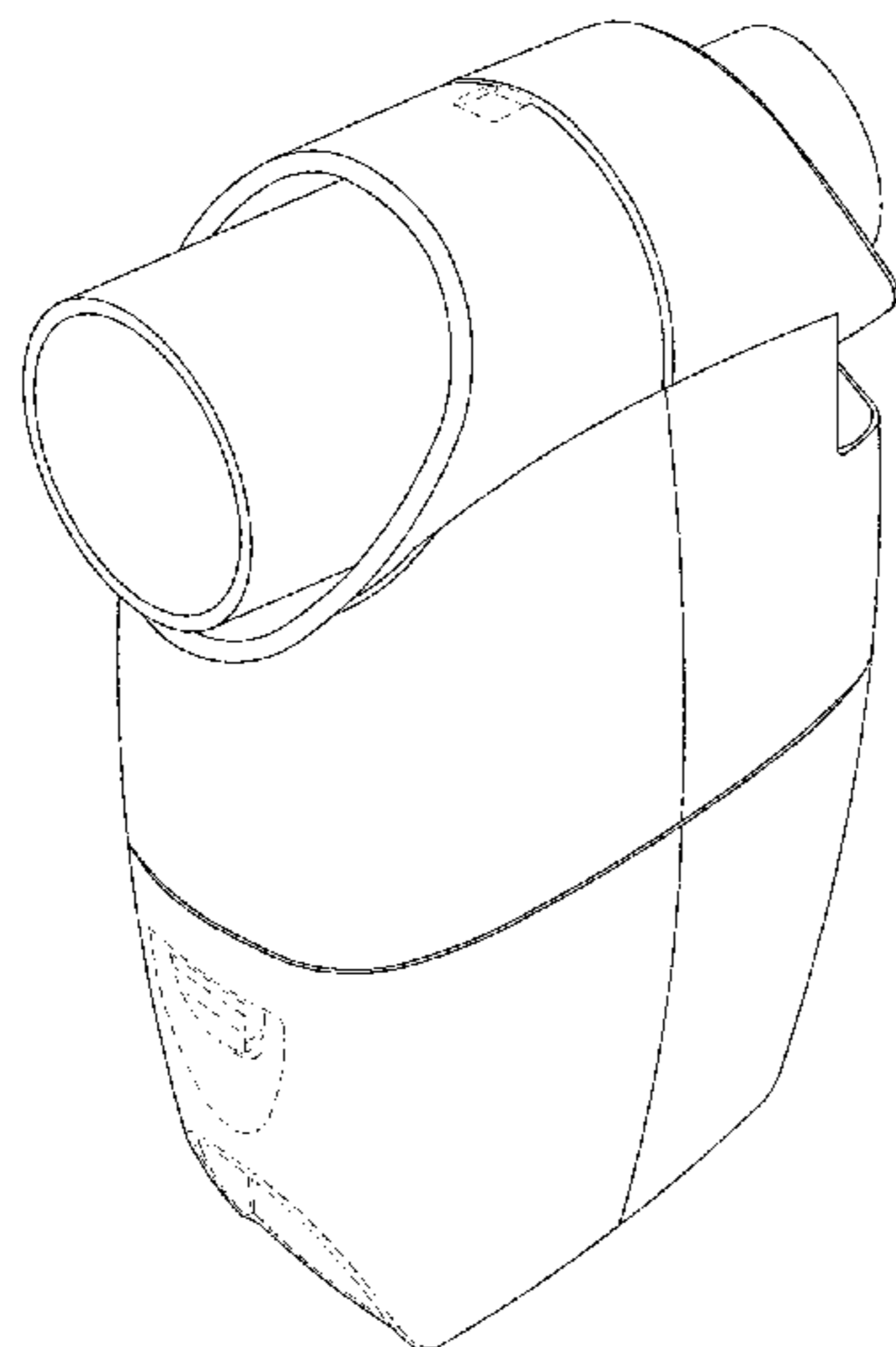
FIG. 5 is a bottom view thereof;

FIG. 6 is a left-side view thereof; and,

FIG. 7 is a right-side view thereof.

The broken lines in the drawings illustrate portions of the oscillating positive expiratory pressure device that form no part of the claimed design.

1 Claim, 7 Drawing Sheets



(56)

References Cited

U.S. PATENT DOCUMENTS

4,298,023 A 11/1981 McGinnis
 4,327,740 A 5/1982 Shuman
 D266,701 S * 10/1982 Marloth D24/110
 4,403,616 A 9/1983 King
 D272,094 S * 1/1984 Wolf et al. D24/110
 4,436,090 A 3/1984 Darling
 4,470,412 A 9/1984 Nowacki et al.
 4,601,465 A 7/1986 Roy
 4,611,591 A 9/1986 Inui et al.
 4,635,631 A 1/1987 Izumi
 4,651,731 A 3/1987 Vicenzi et al.
 4,739,987 A 4/1988 Nicholson
 4,770,413 A 9/1988 Green
 4,973,047 A 11/1990 Norell
 4,981,295 A 1/1991 Belman et al.
 5,018,517 A 5/1991 Liardet
 5,042,467 A 8/1991 Foley
 5,065,746 A 11/1991 Steen
 5,193,529 A 3/1993 Labaere
 D337,636 S * 7/1993 Kocinski D24/110
 5,345,930 A 9/1994 Cardinal et al.
 5,381,789 A 1/1995 Marquardt
 5,451,190 A 9/1995 Liardet
 5,479,920 A 1/1996 Piper et al.
 5,540,220 A 7/1996 Gropper et al.
 5,569,122 A 10/1996 Cegla
 5,570,682 A 11/1996 Johnson
 5,598,839 A 2/1997 Niles et al.
 5,613,489 A 3/1997 Miller
 5,645,049 A 7/1997 Foley et al.
 5,647,345 A 7/1997 Saul
 5,655,520 A 8/1997 Howe
 5,658,221 A 8/1997 Hougen
 5,791,339 A 8/1998 Winter
 5,829,429 A 11/1998 Hughes
 5,848,588 A 12/1998 Foley et al.
 5,862,802 A 1/1999 Bird
 5,890,998 A 4/1999 Hougen
 5,893,361 A 4/1999 Hughes
 5,899,832 A 5/1999 Hougen
 5,910,071 A 6/1999 Hougen
 5,925,831 A 7/1999 Storsved
 6,026,807 A 2/2000 Puderbaugh et al.
 6,044,841 A 4/2000 Verdun et al.
 6,058,932 A 5/2000 Hughes
 6,066,101 A 5/2000 Johnson
 6,083,141 A 7/2000 Hougen
 6,089,105 A 7/2000 Ricciardelli
 6,102,038 A 8/2000 DeVries
 6,167,881 B1 1/2001 Hughes
 6,176,235 B1 1/2001 Benarrouch et al.
 D440,651 S 4/2001 Foran
 6,240,917 B1 6/2001 Andrade
 6,253,766 B1 7/2001 Niles
 6,283,118 B1 * 9/2001 Lu 128/200.16
 6,293,279 B1 9/2001 Schmidt et al.
 6,340,025 B1 1/2002 Van Brunt
 6,345,617 B1 2/2002 Engelbreth et al.
 6,412,481 B1 7/2002 Bienvenu et al.
 6,500,095 B1 12/2002 Hougen
 6,557,549 B2 5/2003 Schmidt et al.
 6,581,595 B1 6/2003 Murdock et al.
 6,581,596 B1 6/2003 Truitt
 6,581,598 B1 6/2003 Foran et al.
 6,581,600 B2 6/2003 Bird
 6,595,203 B1 7/2003 Bird
 6,606,989 B1 8/2003 Brand
 6,615,831 B1 9/2003 Truitt
 6,631,721 B1 10/2003 Salter et al.
 6,659,100 B2 12/2003 O'Rourke
 6,702,769 B1 3/2004 Fowler-Hawkins
 6,708,690 B1 3/2004 Hete et al.
 6,708,691 B1 3/2004 Hayek
 6,726,598 B1 4/2004 Jarvis
 D490,519 S 5/2004 Pelerosi et al.

6,732,731 B1 * 5/2004 Tseng 128/200.21
 6,776,159 B2 8/2004 Pelerosi et al.
 6,848,443 B2 2/2005 Schmidt et al.
 6,851,425 B2 2/2005 Jaffre
 6,904,906 B2 6/2005 Salter
 6,923,181 B2 8/2005 Tuck
 6,929,007 B2 8/2005 Emerson
 6,984,214 B2 1/2006 Fowler-Hawkins
 7,059,324 B2 6/2006 Pelerosi et al.
 7,096,866 B2 8/2006 Be'eri et al.
 7,134,434 B2 11/2006 Truitt et al.
 7,165,547 B2 1/2007 Truitt et al.
 7,188,621 B2 3/2007 DeVries
 7,191,776 B2 3/2007 Niles
 7,191,780 B2 3/2007 Faram
 7,214,170 B2 5/2007 Sumners et al.
 D557,405 S * 12/2007 Tran et al. D24/110
 D558,330 S * 12/2007 Chang D24/110
 D558,874 S * 1/2008 Tran et al. D24/110
 D559,975 S * 1/2008 Tran et al. D24/110
 D560,794 S * 1/2008 Tran et al. D24/110
 D583,046 S * 12/2008 Ku et al. D24/110
 D585,977 S * 2/2009 Brown et al. D24/110
 7,617,821 B2 11/2009 Hughes
 7,699,054 B2 4/2010 Pelerosi et al.
 7,717,847 B2 5/2010 Smith
 7,721,729 B2 * 5/2010 Von Hollen et al. 128/200.14
 7,771,472 B2 8/2010 Hendricksen
 7,779,841 B2 8/2010 Dunsmore et al.
 7,798,148 B2 9/2010 Doshi
 7,856,979 B2 12/2010 Doshi
 7,909,033 B2 3/2011 Faram
 8,006,922 B2 8/2011 Katzer
 8,025,051 B2 9/2011 Dagsland
 8,025,054 B2 9/2011 Dunsmore et al.
 8,043,236 B2 10/2011 Goldshtein et al.
 8,051,854 B2 11/2011 Faram
 8,118,024 B2 2/2012 DeVries et al.
 8,485,179 B1 * 7/2013 Meyer et al. 128/200.24
 2007/0113843 A1 5/2007 Hughes
 2007/0259759 A1 11/2007 Sumners et al.
 2008/0000477 A1 1/2008 Huster et al.
 2008/0053456 A1 3/2008 Brown et al.
 2008/0078383 A1 4/2008 Richards et al.
 2010/0101573 A1 4/2010 Grychowski et al.
 2010/0139655 A1 6/2010 Genosar
 2011/0290240 A1 12/2011 Meyer et al.
 2012/0097164 A1 4/2012 Rozario et al.
 2012/0304988 A1 * 12/2012 Meyer et al. 128/203.12
 2014/0150790 A1 * 6/2014 Meyer et al. 128/204.18

FOREIGN PATENT DOCUMENTS

EP 1435251 12/2003
 EP 1 464 357 A1 10/2004
 EP 1 435 251 B1 6/2006
 EP 1 103 287 B1 6/2007
 EP 1 897 576 A1 3/2008
 EP 1 908 489 A1 4/2008
 EP 2444114 4/2012
 EP 2455137 5/2012
 GB 2 425 488 A 11/2006
 WO WO 89/03707 A1 5/1989
 WO WO 96/40376 12/1996
 WO WO 99/16490 4/1999
 WO WO 00/27455 5/2000
 WO WO 2007/061648 A3 5/2007
 WO WO 2007/119104 A3 10/2007
 WO WO 2008/063966 A1 5/2008
 WO WO 2008/122045 A1 10/2008
 WO WO 2009/131965 10/2009
 WO WO 2011/058470 5/2011
 WO WO 2012/038864 A2 3/2012

OTHER PUBLICATIONS

U.S. Appl. No. 12/711,032, filed Feb. 23, 2010, Meyer et al.
 U.S. Appl. No. 13/154,103, filed Jun. 6, 2011, Meyer et al.
 U.S. Appl. No. 13/489,894, filed Jun. 6, 2012, Meyer.

(56)

References Cited

OTHER PUBLICATIONS

U.S. Appl. No. 29/438,878, filed Dec. 4, 2012, Meyer.

Web page entitled Bronchial Hygiene, acapella Vibratory PEP Therapy System accessed from <http://www.smiths-medical.com/catalog/bronchial-hygiene/acapella/acapella.html> on Jul. 7, 2009.

Web page entitled Thayer Quake accessed from <http://www.thayermedical.com/quake.htm> on Jul. 7, 2009.

Human growth hormone, cortisol, and acid-base balance changes after hyperventilation and breath-holding; PubMed—indexed for Medline; Int J Sports Med., Dec. 1986; 7(6):311-5, Djarova T.

Bosco C, Cardinale M. & Tsarpela O (1999). Influence of vibration

on mechanical power and electromyogram activity in human arm flexor muscles. Eur J Appl Physiol 79, 306-311.

David Summers; Power Breathing and Strength; <http://EzineArticles.com/972576>.

Good Vibrations blog; <http://vibrotraining.blogspot.com>.

Breathtaking News; More Youbreathe; Aug. 10, 2007.

PCT International Search Report for PCT/IB2012/001089, Oct. 5, 2012.

PCT International Written Opinion for PCT/IB2012/001089, Oct. 5, 2012.

U.S. Appl. No. 11/845,898, filed Mar. 6, 2008, Brown et al.

U.S. Appl. No. 12/857,925, filed Dec. 9, 2010, Dunsmore et al.

* cited by examiner

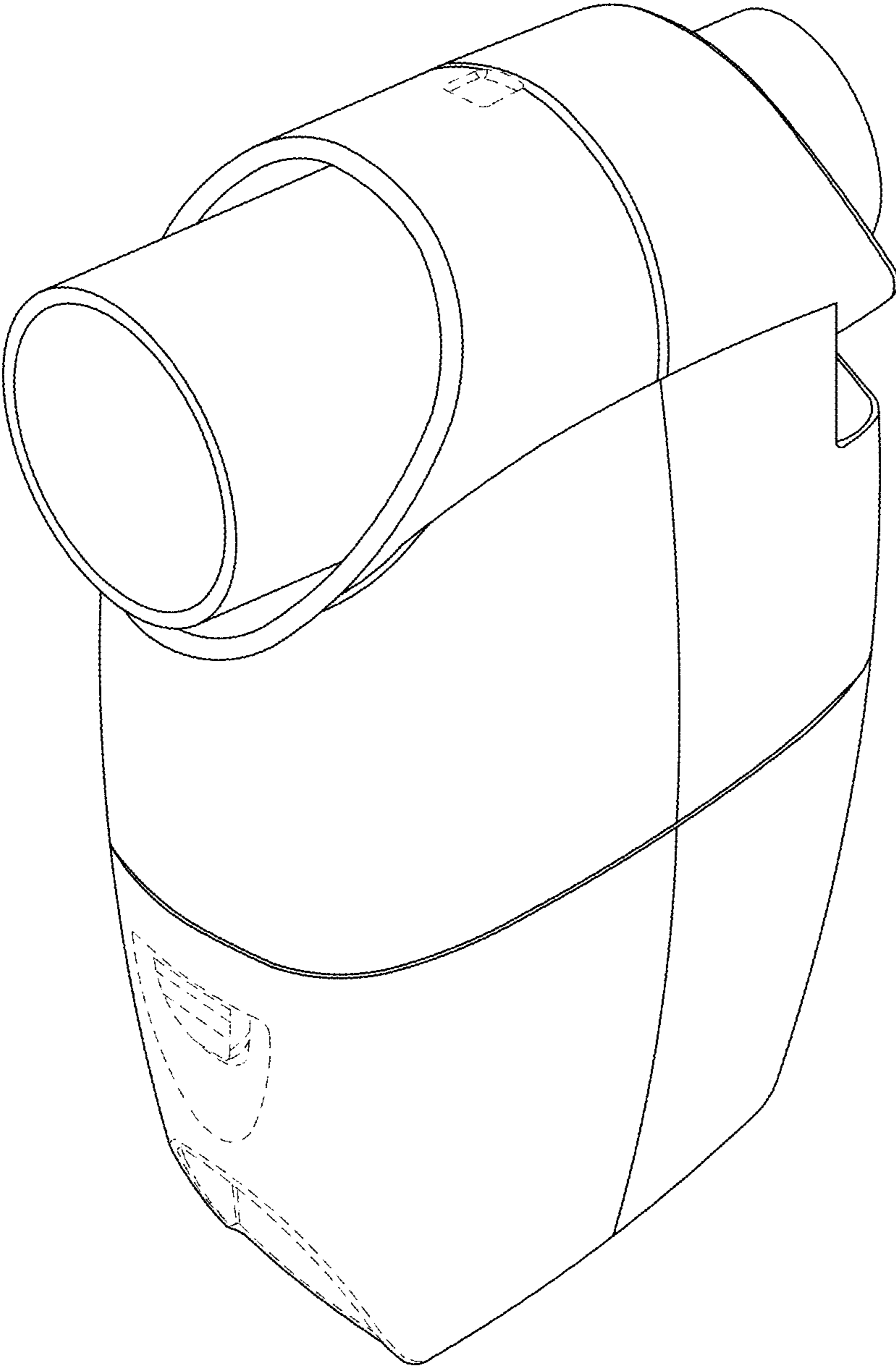


FIG. 1

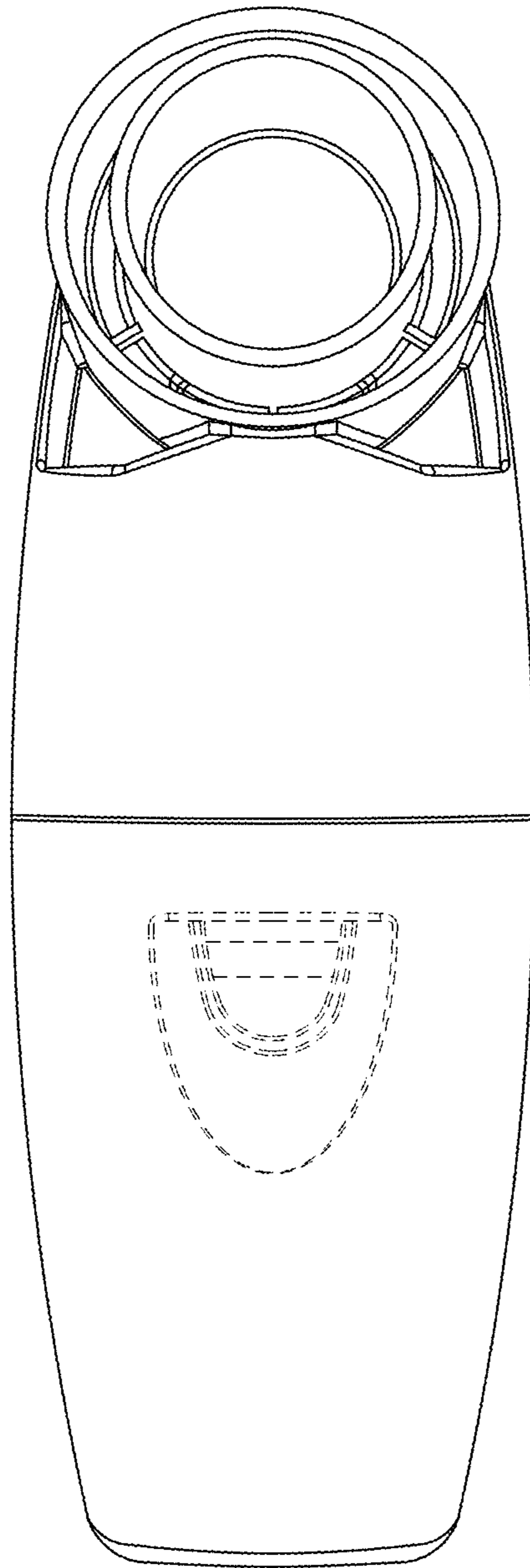


FIG. 2

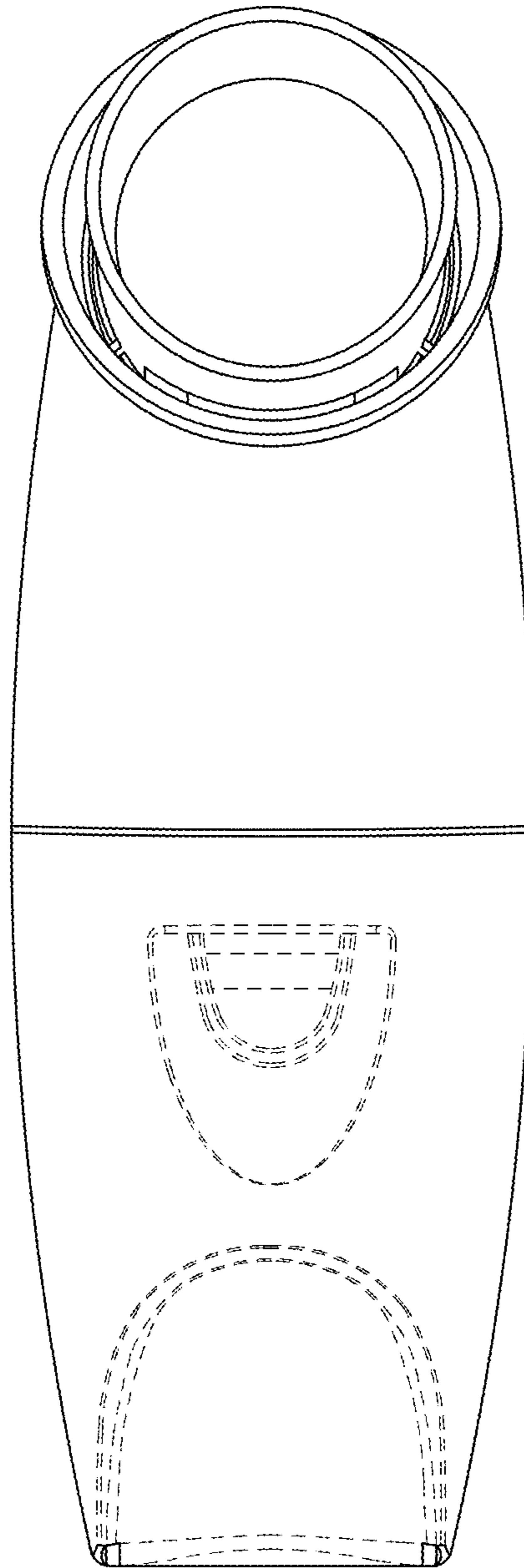


FIG. 3

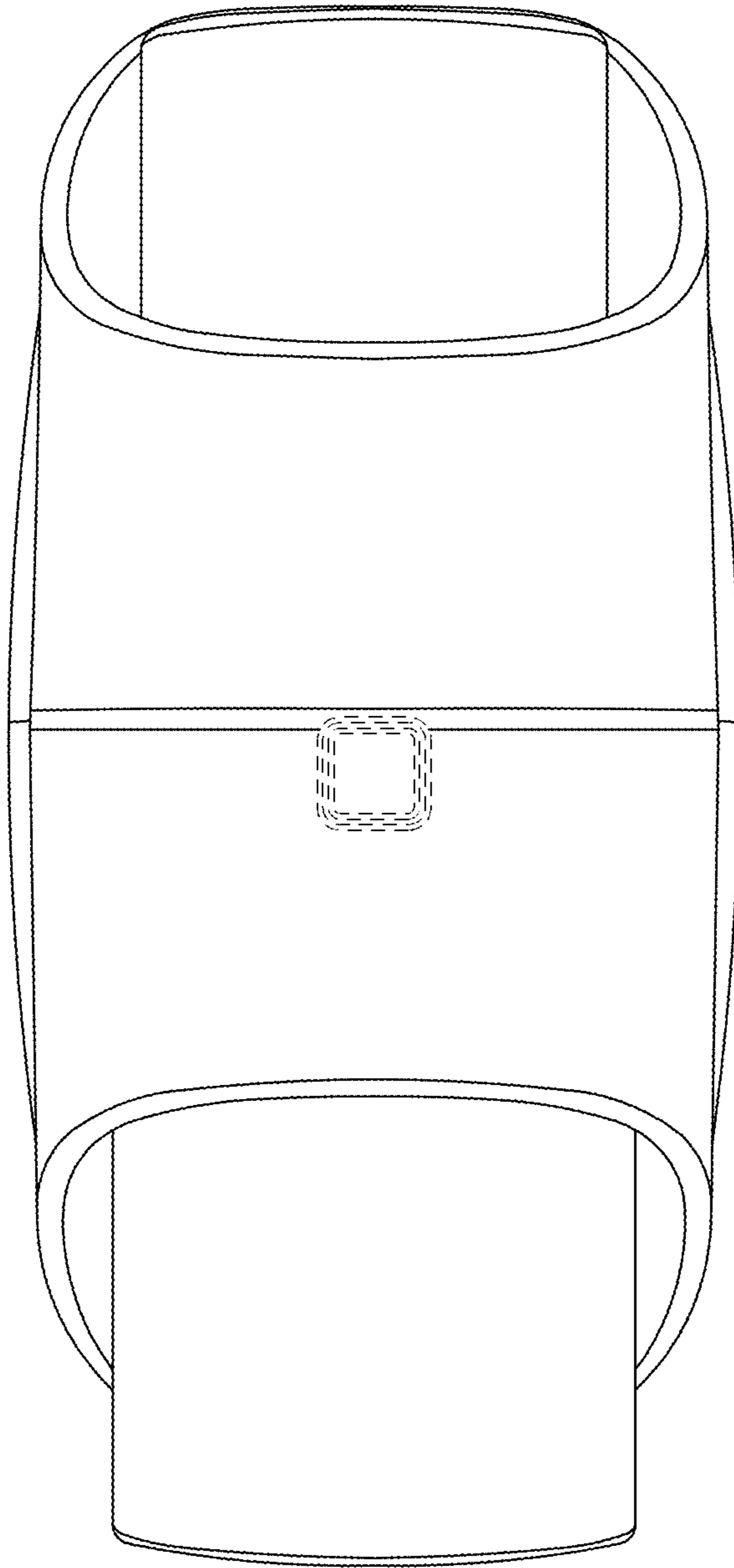


FIG. 4

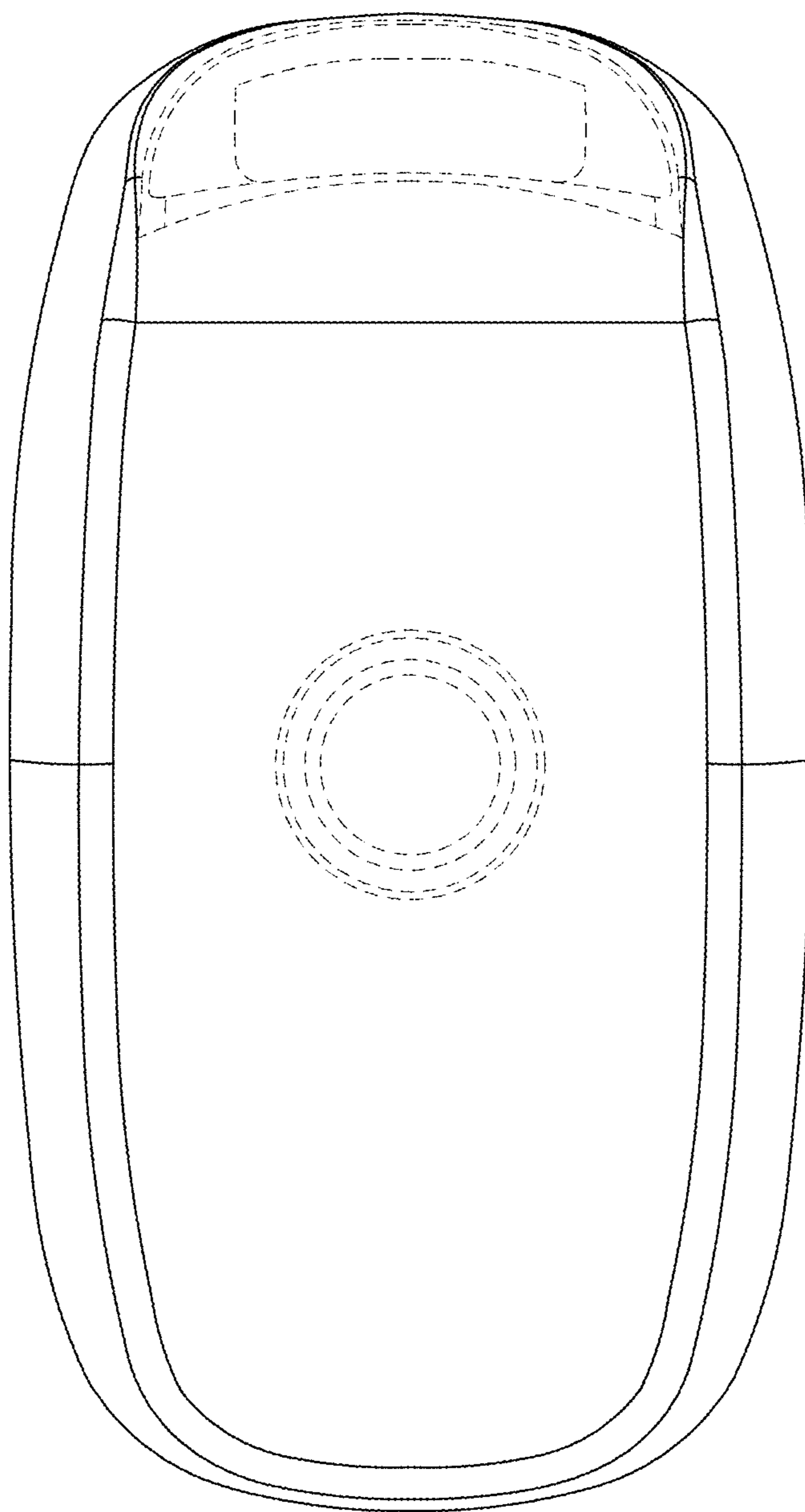


FIG. 5

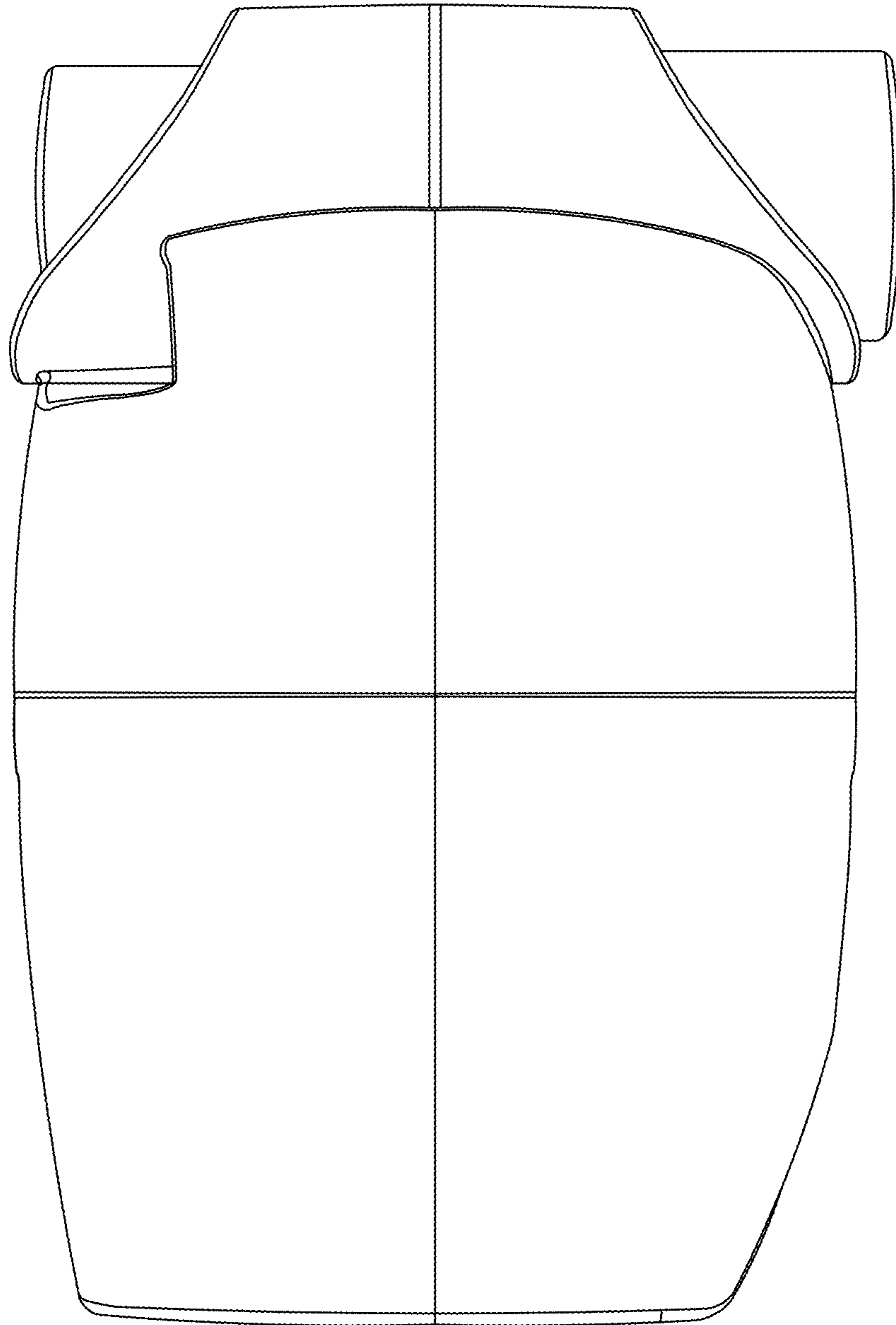


FIG. 6

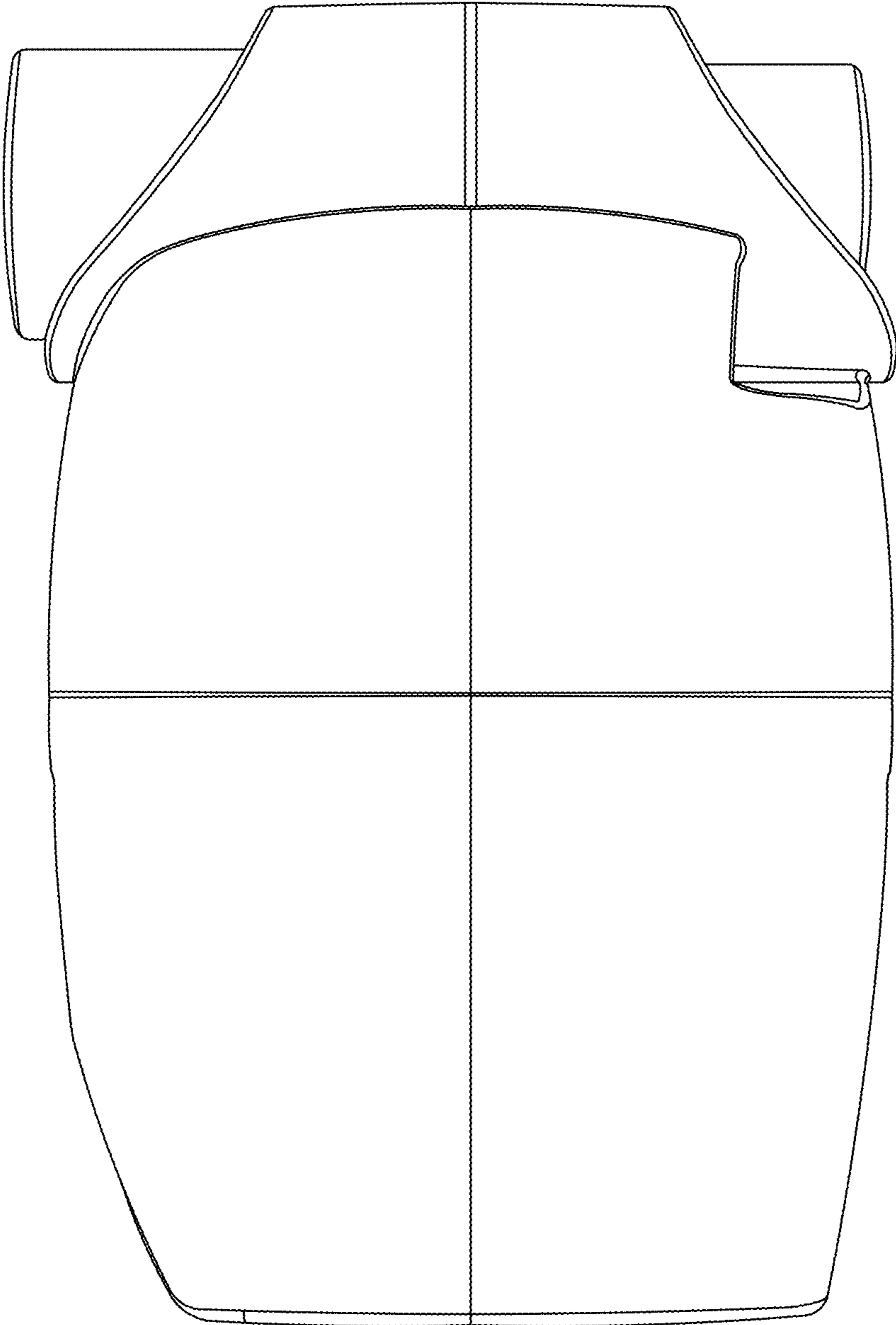


FIG. 7