



US00D731049S

(12) **United States Design Patent**
Winter

(10) **Patent No.:** **US D731,049 S**
(45) **Date of Patent:** **** Jun. 2, 2015**

(54) **EVQ HOUSING OF AN EXHALATION MODULE**

RE32,553 E 12/1987 Bennett et al.
4,712,580 A 12/1987 Gilman et al.
4,727,871 A 3/1988 Smargiassi et al.
4,747,403 A 5/1988 Gluck et al.
4,752,089 A 6/1988 Carter

(71) Applicant: **Covidien LP**, Mansfield, MA (US)

(Continued)

(72) Inventor: **David Phillip Winter**, Encinitas, CA (US)

FOREIGN PATENT DOCUMENTS

(73) Assignee: **Covidien LP**, Mansfield, MA (US)

WO WO 2007/102866 9/2007

(**) Term: **14 Years**

OTHER PUBLICATIONS

(21) Appl. No.: **29/447,613**

7200 Series Ventilator, Options, and Accessories: Operator's Manual. Nellcor Puritan Bennett, Part No. 22300 A, Sep. 1990, pp. 1-196.

(22) Filed: **Mar. 5, 2013**

(Continued)

(51) **LOC (10) Cl.** **24-02**

(52) **U.S. Cl.**
USPC **D24/110**; D24/107

(58) **Field of Classification Search**
USPC D24/107, 110, 110.6, 129, 127, 162,
D24/164, 108, 121; 600/529, 538, 543, 532
CPC A61B 5/08; A61B 5/4818; A61B 5/097;
A61B 5/091; A61B 5/087; A61M 16/10;
A61M 16/20

Primary Examiner — Deanna L. Pratt
Assistant Examiner — Lilyana Bekic

(57) **CLAIM**
The ornamental design for an EVQ housing of an exhalation module, as shown and described.

See application file for complete search history.

DESCRIPTION

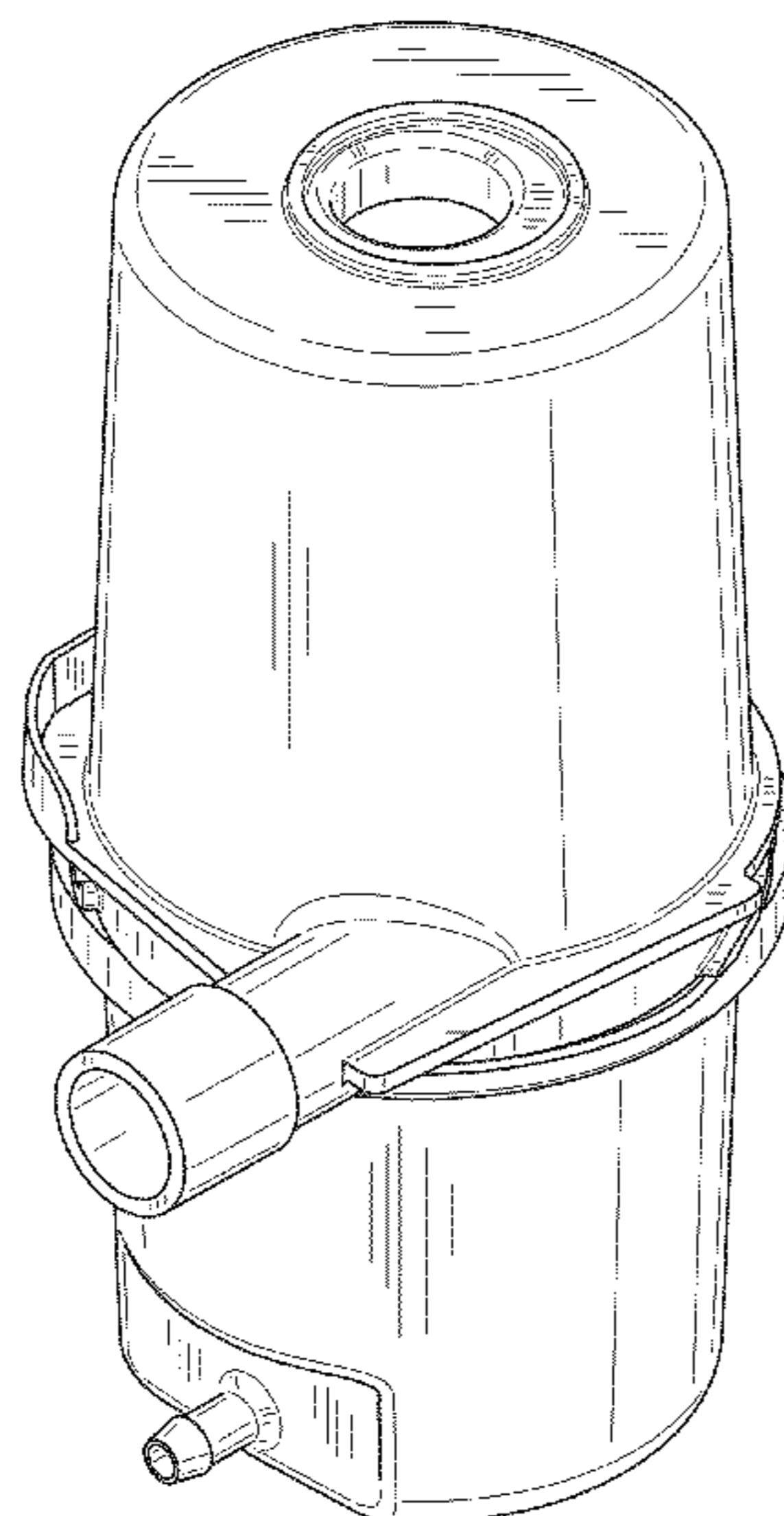
(56) **References Cited**

U.S. PATENT DOCUMENTS

3,395,703 A * 8/1968 Chouinard et al. 128/200.21
3,444,857 A 5/1969 Godel
3,481,333 A 12/1969 Garrison
3,485,243 A 12/1969 Bird et al.
3,688,794 A 9/1972 Bird et al.
D239,737 S * 4/1976 Guirtino D24/110
D239,738 S * 4/1976 Guirtino D24/110
D243,039 S * 1/1977 Aul et al. D24/110
4,241,756 A 12/1980 Bennett et al.
D266,190 S 9/1982 Herman
4,527,557 A 7/1985 DeVries et al.
D285,606 S * 9/1986 Christopherson D24/162
4,608,976 A 9/1986 Suchy
4,699,137 A 10/1987 Schroeder

FIG. 1 is a perspective view of an EVQ housing of an exhalation module showing a new design.
FIG. 2 is a front view of an EVQ housing of an exhalation module showing a new design.
FIG. 3 is a back view of an EVQ housing of an exhalation module showing a new design.
FIG. 4 is a right side view of an EVQ housing of an exhalation module showing a new design.
FIG. 5 is a left side view of an EVQ housing of an exhalation module showing a new design.
FIG. 6 is a top view of an of an EVQ housing exhalation module showing a new design; and,
FIG. 7 is a bottom view of an EVQ housing of an exhalation module showing a new design.

1 Claim, 7 Drawing Sheets



(56)

References Cited

U.S. PATENT DOCUMENTS

D297,860	S	*	9/1988	Leoncavallo et al.	D24/162	5,542,416	A	8/1996	Chalvignac
D299,269	S	*	1/1989	Pierson et al.	D24/162	5,544,674	A	8/1996	Kelly
4,880,411	A	*	11/1989	Fangrow et al.	604/149	5,546,935	A	8/1996	Champeau
D307,173	S	*	4/1990	Boehnke	D23/209	5,549,106	A	8/1996	Gruenke et al.
4,921,642	A		5/1990	LaTorraca		5,568,910	A	10/1996	Koehler et al.
4,932,269	A	*	6/1990	Cammarata et al.	73/861.61	5,575,283	A	11/1996	Sjostrand
4,954,799	A		9/1990	Kumar		5,596,984	A	1/1997	O'Mahony et al.
4,956,148	A		9/1990	Grandone		5,606,968	A	3/1997	Mang
4,957,107	A		9/1990	Sipin		5,617,847	A	4/1997	Howe
4,991,576	A		2/1991	Henkin et al.		5,630,411	A	5/1997	Holscher
4,993,269	A		2/1991	Guillaume et al.		5,632,270	A	5/1997	O'Mahony et al.
5,000,173	A		3/1991	Zalkin et al.		5,645,048	A	7/1997	Brodsky et al.
5,020,532	A		6/1991	Mahoney et al.		5,657,750	A	8/1997	Colman et al.
D320,445	S	*	10/1991	Jones et al.	D24/169	5,660,171	A	8/1997	Kimm et al.
5,057,822	A		10/1991	Hoffman		5,662,099	A	9/1997	Tobia et al.
5,072,729	A		12/1991	DeVries		5,664,560	A	9/1997	Merrick et al.
5,072,737	A		12/1991	Goulding		5,664,562	A	9/1997	Bourdon
5,099,833	A	*	3/1992	Michaels	128/200.14	5,671,767	A	9/1997	Kelly
5,109,838	A		5/1992	Elam		5,672,041	A	9/1997	Ringdahl et al.
5,127,400	A		7/1992	DeVries et al.		5,673,689	A	10/1997	Power
5,134,995	A		8/1992	Gruenke et al.		5,678,537	A	10/1997	Bathe et al.
5,150,291	A		9/1992	Cummings et al.		5,683,232	A	11/1997	Adahan
5,161,525	A		11/1992	Kimm et al.		5,692,497	A	12/1997	Schnitzer et al.
5,168,868	A		12/1992	Hicks		5,697,363	A	12/1997	Hart
5,178,155	A		1/1993	Mault		5,701,883	A	12/1997	Hete et al.
D338,705	S	*	8/1993	Spokoiny	D23/209	5,701,889	A	12/1997	Danon
5,237,987	A		8/1993	Anderson et al.		D390,668	S	2/1998	Lewandowski et al.
5,255,675	A		10/1993	Kolobow		5,715,812	A	2/1998	Deighan et al.
D340,976	S	*	11/1993	Garcia	D24/110	5,762,480	A	6/1998	Adahan
5,259,373	A		11/1993	Gruenke et al.		5,765,550	A	6/1998	Psaros et al.
5,269,293	A		12/1993	Loser et al.		5,771,884	A	6/1998	Yarnall et al.
5,271,389	A		12/1993	Isaza et al.		5,791,339	A	8/1998	Winter
D343,682	S	*	1/1994	Cattaoris et al.	D24/162	5,794,614	A	8/1998	Gruenke et al.
5,277,175	A		1/1994	Riggs et al.		5,794,986	A	8/1998	Gansel et al.
5,279,549	A		1/1994	Ranford		5,797,393	A	8/1998	Kohl
5,299,568	A		4/1994	Forare et al.		D398,993	S	9/1998	Jones
5,301,667	A		4/1994	McGrail et al.		5,803,064	A	9/1998	Phelps et al.
5,301,921	A		4/1994	Kumar		5,813,399	A	9/1998	Isaza et al.
5,303,699	A		4/1994	Bonassa et al.		5,823,179	A	10/1998	Grychowski et al.
5,309,901	A		5/1994	Beaussant		5,826,575	A	* 10/1998	Lall 128/205.12
5,319,540	A		6/1994	Isaza et al.		5,829,441	A	11/1998	Kidd et al.
5,325,861	A		7/1994	Goulding		5,845,636	A	12/1998	Gruenke et al.
5,331,995	A		7/1994	Westfall et al.		5,857,458	A	1/1999	Tham et al.
5,333,606	A		8/1994	Schneider et al.		5,864,938	A	2/1999	Gansel et al.
5,339,807	A		8/1994	Carter		5,865,168	A	2/1999	Isaza
5,343,857	A		9/1994	Schneider et al.		5,868,133	A	2/1999	DeVries et al.
5,343,858	A		9/1994	Winefordner et al.		5,871,476	A	* 2/1999	Hand 604/317
5,351,522	A		10/1994	Lura		5,875,783	A	3/1999	Kullik
5,357,946	A		10/1994	Kee et al.		5,876,352	A	3/1999	Weismann
5,360,000	A		11/1994	Carter		5,881,717	A	3/1999	Isaza
5,368,019	A		11/1994	LaTorraca		5,881,722	A	3/1999	DeVries et al.
5,368,021	A		11/1994	Beard et al.		5,881,723	A	3/1999	Wallace et al.
5,383,449	A		1/1995	Forare et al.		5,884,623	A	3/1999	Winter
5,385,142	A		1/1995	Brady et al.		5,909,731	A	6/1999	O'Mahony et al.
5,390,666	A		2/1995	Kimm et al.		5,915,379	A	6/1999	Wallace et al.
5,398,677	A		3/1995	Smith		5,915,380	A	6/1999	Wallace et al.
5,401,135	A		3/1995	Stoen et al.		5,915,382	A	6/1999	Power
5,402,796	A		4/1995	Packer et al.		5,918,597	A	7/1999	Jones et al.
5,407,174	A		4/1995	Kumar		5,921,238	A	7/1999	Bourdon
5,413,110	A		5/1995	Cummings et al.		5,934,274	A	8/1999	Merrick et al.
5,438,980	A		8/1995	Phillips		5,937,856	A	8/1999	Jonasson et al.
5,443,075	A		8/1995	Holscher		5,941,846	A	8/1999	Duffy et al.
5,452,714	A		9/1995	Anderson et al.		5,957,130	A	9/1999	Krahbichler et al.
5,467,766	A		11/1995	Ansita et al.		6,024,089	A	2/2000	Wallace et al.
5,484,270	A		1/1996	Adahan		6,041,777	A	3/2000	Faithfull et al.
5,494,028	A		2/1996	DeVries et al.		6,041,780	A	3/2000	Richard et al.
5,497,767	A		3/1996	Olsson et al.		6,047,860	A	4/2000	Sanders
5,503,140	A		4/1996	Winefordner et al.		D425,984	S	* 5/2000	Niermann et al. D24/122
5,513,631	A		5/1996	McWilliams		6,073,630	A	6/2000	Adahan
5,517,983	A		5/1996	Deighan et al.		6,076,523	A	6/2000	Jones et al.
5,520,071	A		5/1996	Jones		6,095,139	A	8/2000	Psaros
5,524,615	A		6/1996	Power		6,102,038	A	8/2000	DeVries
5,531,221	A		7/1996	Power		6,116,240	A	9/2000	Merrick et al.
5,540,220	A		7/1996	Gropper et al.		6,116,242	A	9/2000	Frye et al.
5,542,415	A		8/1996	Brady		6,116,464	A	9/2000	Sanders
						6,119,686	A	9/2000	Somerson et al.
						6,123,073	A	9/2000	Schlawin et al.
						6,123,074	A	9/2000	Hete et al.
						6,131,571	A	10/2000	Lampotang et al.

(56)

References Cited

U.S. PATENT DOCUMENTS

6,135,106 A	10/2000	Dirks et al.	6,761,168 B1	7/2004	Nadjafizadeh et al.
6,135,967 A	10/2000	Fiorenza et al.	6,763,829 B2	7/2004	Jaffe et al.
6,142,150 A	11/2000	O'Mahoney et al.	6,772,762 B2	8/2004	Piesinger
6,148,814 A	11/2000	Clemmer et al.	6,805,121 B1	10/2004	Flood et al.
6,152,132 A	11/2000	Psaros	6,814,074 B1	11/2004	Nadjafizadeh et al.
6,152,135 A	11/2000	DeVries et al.	6,866,040 B1	3/2005	Bourdon
6,158,432 A	12/2000	Biondi et al.	6,877,511 B2	4/2005	DeVries et al.
6,161,539 A	12/2000	Winter	6,886,558 B2	5/2005	Tanaka
D435,906 S *	1/2001	Wilkinson et al. D24/121	6,896,713 B1	5/2005	Eckerbom et al.
6,176,234 B1	1/2001	Salter et al.	6,915,705 B1 *	7/2005	Truitt et al. 73/861.52
6,192,885 B1	2/2001	Jalde	6,938,619 B1	9/2005	Hickle
6,217,524 B1	4/2001	Orr et al.	6,960,854 B2	11/2005	Nadjafizadeh et al.
6,220,245 B1	4/2001	Takabayashi et al.	6,968,840 B2	11/2005	Smith et al.
6,269,812 B1	8/2001	Wallace et al.	D518,172 S	3/2006	Britten et al.
6,273,444 B1	8/2001	Power	7,032,589 B2	4/2006	Kerechanin, II et al.
6,283,119 B1	9/2001	Bourdon	7,036,504 B2	5/2006	Wallace et al.
6,287,264 B1	9/2001	Hoffman	7,040,315 B1	5/2006	Strömberg
6,295,330 B1	9/2001	Skog et al.	7,040,321 B2	5/2006	Göbel
6,295,985 B1	10/2001	Kock et al.	7,043,979 B2	5/2006	Smith et al.
6,305,373 B1	10/2001	Wallace et al.	7,066,175 B2	6/2006	Hamilton et al.
6,306,098 B1	10/2001	Orr et al.	7,066,177 B2	6/2006	Pittaway et al.
6,308,706 B1	10/2001	Lammers et al.	7,077,131 B2	7/2006	Hansen
6,309,360 B1	10/2001	Mault	RE39,225 E	8/2006	Isaza et al.
6,321,748 B1	11/2001	O'Mahoney	D526,413 S *	8/2006	Baker et al. D24/164
6,325,785 B1	12/2001	Babkes et al.	7,117,438 B2	10/2006	Wallace et al.
6,349,922 B1	2/2002	Rydin	7,118,537 B2	10/2006	Baddour
6,357,438 B1	3/2002	Hansen	7,121,277 B2	10/2006	Ström
6,360,745 B1	3/2002	Wallace et al.	7,152,604 B2	12/2006	Hickle et al.
6,369,838 B1	4/2002	Wallace et al.	7,168,597 B1	1/2007	Jones et al.
6,371,113 B1	4/2002	Tobia et al.	7,195,013 B2	3/2007	Lurie
6,412,483 B1	7/2002	Jones et al.	7,210,478 B2	5/2007	Banner et al.
6,415,788 B1	7/2002	Clawson et al.	7,222,623 B2	5/2007	DeVries et al.
6,419,634 B1	7/2002	Gaston, IV et al.	7,241,269 B2	7/2007	McCawley et al.
6,439,229 B1	8/2002	Du et al.	7,270,126 B2	9/2007	Wallace et al.
6,457,472 B1	10/2002	Schwartz et al.	7,275,540 B2	10/2007	Bolam et al.
6,467,478 B1	10/2002	Merrick et al.	7,291,115 B2	11/2007	Cardona Burrul
6,523,537 B1	2/2003	Mas Marfany	7,302,949 B2	12/2007	Pelerossi et al.
6,523,538 B1	2/2003	Wikefeldt	7,320,321 B2	1/2008	Pranger et al.
6,526,970 B2	3/2003	DeVries et al.	7,320,324 B2 *	1/2008	Willeford 128/207.16
D472,636 S *	4/2003	Haynes D24/162	7,347,825 B2	3/2008	Vaughan et al.
6,543,449 B1	4/2003	Woodring et al.	7,369,757 B2	5/2008	Farbarik
6,546,930 B1	4/2003	Emerson et al.	7,370,650 B2	5/2008	Nadjafizadeh et al.
6,550,479 B1	4/2003	Duxbury	7,392,806 B2	7/2008	Yuen et al.
6,553,991 B1	4/2003	Isaza	7,428,902 B2	9/2008	Du et al.
6,557,553 B1	5/2003	Borrello	7,460,959 B2	12/2008	Jafari
6,557,554 B1	5/2003	Sugiura	7,475,685 B2	1/2009	Dietz et al.
6,564,798 B1	5/2003	Jalde	7,484,508 B2	2/2009	Younes
6,571,795 B2	6/2003	Bourdon	7,487,773 B2	2/2009	Li
6,572,561 B2	6/2003	Mault	7,487,778 B2	2/2009	Freitag
6,572,827 B2 *	6/2003	Wilkinson et al. 422/547	7,500,483 B2	3/2009	Colman et al.
6,575,164 B1	6/2003	Jaffe et al.	7,509,957 B2	3/2009	Duquette et al.
6,575,165 B1	6/2003	Cook et al.	7,525,663 B2	4/2009	Kwok et al.
6,575,918 B2	6/2003	Kline	7,533,670 B1	5/2009	Freitag et al.
6,575,946 B2 *	6/2003	Sealfon 604/323	7,547,285 B2	6/2009	Kline
D477,050 S *	7/2003	Goodwin D23/209	7,556,038 B2	7/2009	Kirby et al.
6,584,973 B1	7/2003	Biondi et al.	7,556,042 B2	7/2009	West et al.
D478,659 S	8/2003	Hall et al.	7,562,657 B2	7/2009	Blanch et al.
6,606,994 B1	8/2003	Clark	7,588,033 B2	9/2009	Wondka
6,616,615 B2	9/2003	Mault	7,610,914 B2	11/2009	Bolam et al.
6,619,289 B1	9/2003	Mashak	7,617,824 B2	11/2009	Doyle
6,622,725 B1	9/2003	Fisher et al.	7,621,271 B2	11/2009	Brugnoli
6,622,726 B1	9/2003	Du	7,634,998 B1	12/2009	Fenley
6,629,934 B2	10/2003	Mault et al.	7,654,802 B2	2/2010	Crawford, Jr. et al.
6,631,716 B1	10/2003	Robinson et al.	7,686,019 B2	3/2010	Weiss
6,644,310 B1	11/2003	Delache et al.	7,694,677 B2	4/2010	Tang
6,668,824 B1	12/2003	Isaza et al.	7,699,788 B2	4/2010	Kuck et al.
6,675,801 B2	1/2004	Wallace et al.	7,717,113 B2	5/2010	Andrieux
6,718,974 B1	4/2004	Moberg	7,721,735 B2	5/2010	Hamilton et al.
6,722,359 B2	4/2004	Chalvignac	7,721,736 B2	5/2010	Urias et al.
6,723,055 B2	4/2004	Hoffman	D618,356 S	6/2010	Ross
6,725,447 B1	4/2004	Gilman et al.	7,740,591 B1	6/2010	Starr et al.
6,729,331 B2	5/2004	Kay	7,753,052 B2	7/2010	Tanaka
6,739,334 B2	5/2004	Valeij	7,779,840 B2	8/2010	Acker et al.
6,739,337 B2	5/2004	Isaza	7,784,461 B2	8/2010	Figueiredo et al.
6,761,167 B1	7/2004	Nadjafizadeh et al.	7,810,497 B2	10/2010	Pittman et al.
			7,814,908 B2	10/2010	Psaros
			7,819,815 B2	10/2010	Younes
			7,823,588 B2	11/2010	Hansen
			7,828,741 B2	11/2010	Kline et al.

(56)

References Cited

U.S. PATENT DOCUMENTS

7,846,739	B2	12/2010	von Bahr et al.	2007/0157930	A1	7/2007	Soliman et al.
7,849,854	B2	12/2010	DeVries et al.	2007/0157931	A1	7/2007	Parker et al.
7,855,716	B2	12/2010	McCreary et al.	2007/0163579	A1	7/2007	Li et al.
7,861,716	B2	1/2011	Borrello	2007/0225612	A1	9/2007	Mace et al.
7,870,857	B2	1/2011	Dhuper et al.	2007/0227537	A1	10/2007	Bemister et al.
D632,796	S	2/2011	Ross et al.	2007/0232952	A1	10/2007	Baddour
D632,797	S	2/2011	Ross et al.	2007/0255160	A1	11/2007	Daly
7,883,471	B2	2/2011	Aljuri et al.	2007/0284361	A1	12/2007	Nadjafizadeh et al.
7,885,771	B2	2/2011	Roecker et al.	2008/0045825	A1	2/2008	Melker et al.
7,891,354	B2	2/2011	Farbarik	2008/0053438	A1	3/2008	DeVries et al.
7,893,560	B2	2/2011	Carter	2008/0053441	A1	3/2008	Gottlib et al.
7,900,626	B2	3/2011	Daly	2008/0060646	A1	3/2008	Isaza
7,913,690	B2	3/2011	Fisher et al.	2008/0060656	A1	3/2008	Isaza
D638,852	S	5/2011	Skidmore et al.	2008/0072896	A1	3/2008	Setzer et al.
7,984,714	B2	7/2011	Hausmann et al.	2008/0072902	A1	3/2008	Setzer et al.
D643,535	S	8/2011	Ross et al.	2008/0078390	A1	4/2008	Milne et al.
7,992,557	B2	8/2011	Nadjafizadeh et al.	2008/0083644	A1	4/2008	Janbakhsh et al.
8,001,967	B2	8/2011	Wallace et al.	2008/0092894	A1	4/2008	Nicolazzi et al.
D644,713	S *	9/2011	Walton et al. D23/209	2008/0097234	A1	4/2008	Nicolazzi et al.
D645,158	S	9/2011	Sanchez et al.	2008/0135044	A1	6/2008	Freitag et al.
8,021,310	B2	9/2011	Sanborn et al.	2008/0183094	A1	7/2008	Schonfuss et al.
D649,157	S	11/2011	Skidmore et al.	2008/0196720	A1	8/2008	Kollmeyer et al.
D652,521	S	1/2012	Ross et al.	2008/0202517	A1	8/2008	Mitton et al.
D652,936	S	1/2012	Ross et al.	2008/0202518	A1	8/2008	Mitton et al.
D653,749	S	2/2012	Winter et al.	2008/0214947	A1	9/2008	Hunt et al.
8,113,062	B2	2/2012	Graboi et al.	2008/0230062	A1	9/2008	Tham
D655,405	S	3/2012	Winter et al.	2008/0257349	A1	10/2008	Hedner et al.
D655,809	S	3/2012	Winter et al.	2008/0276939	A1	11/2008	Tiedje
D656,237	S	3/2012	Sanchez et al.	2009/0000621	A1	1/2009	Haggblom et al.
D659,254	S	5/2012	Miyashita et al.	2009/0007914	A1	1/2009	Bateman
8,181,648	B2	5/2012	Perine et al.	2009/0050153	A1	2/2009	Brunner
8,210,173	B2	7/2012	Vandine	2009/0056708	A1	3/2009	Stenzler et al.
8,210,174	B2	7/2012	Farbarik	2009/0056719	A1	3/2009	Newman, Jr.
8,240,684	B2	8/2012	Ross et al.	2009/0071478	A1	3/2009	Kalfon
8,267,085	B2	9/2012	Jafari et al.	2009/0078251	A1	3/2009	Zucchi et al.
8,272,379	B2	9/2012	Jafari et al.	2009/0084381	A1	4/2009	DeVries et al.
8,272,380	B2	9/2012	Jafari et al.	2009/0090359	A1	4/2009	Daviet et al.
8,302,600	B2	11/2012	Andrieux et al.	2009/0114223	A1	5/2009	Bonassa
8,302,602	B2	11/2012	Andrieux et al.	2009/0133695	A1	5/2009	Rao et al.
D678,516	S *	3/2013	Wong D24/121	2009/0137919	A1	5/2009	Bar-Lavie et al.
D678,521	S *	3/2013	Mort et al. D24/129	2009/0165795	A1	7/2009	Nadjafizadeh et al.
8,439,037	B2 *	5/2013	Winter et al. 128/205.24	2009/0171176	A1	7/2009	Andersohn
D692,556	S *	10/2013	Winter D24/110.6	2009/0188502	A1	7/2009	Tiedje
D693,001	S *	11/2013	Winter D24/110.6	2009/0205661	A1	8/2009	Stephenson et al.
D693,467	S *	11/2013	Doucette et al. D24/162	2009/0205663	A1	8/2009	Vandine et al.
D701,601	S *	3/2014	Winter D24/127	2009/0217923	A1	9/2009	Boehm et al.
2002/0026941	A1	3/2002	Biondi et al.	2009/0221926	A1	9/2009	Younes
2002/0138213	A1	9/2002	Mault	2009/0229612	A1	9/2009	Levi et al.
2003/0062045	A1	4/2003	Woodring et al.	2009/0235935	A1	9/2009	Pacey
2004/0138577	A1	7/2004	Kline	2009/0241948	A1	10/2009	Clancy et al.
2004/0261793	A1	12/2004	Stromberg et al.	2009/0241951	A1	10/2009	Jafari et al.
2005/0039748	A1	2/2005	Andrieux	2009/0241952	A1	10/2009	Jafari et al.
2005/0098177	A1	5/2005	Haj-Yahya et al.	2009/0241953	A1	10/2009	Nicolazzi et al.
2005/0139211	A1	6/2005	Alston et al.	2009/0241955	A1	10/2009	Vandine et al.
2005/0139212	A1	6/2005	Bourdon	2009/0241956	A1	10/2009	Jafari et al.
2005/0150494	A1	7/2005	DeVries et al.	2009/0241957	A1	10/2009	Baker, Jr. et al.
2005/0217671	A1	10/2005	Fisher et al.	2009/0241958	A1	10/2009	Baker, Jr.
2006/0032499	A1	2/2006	Halsnes	2009/0241962	A1	10/2009	Jafari et al.
2006/0129054	A1	6/2006	Orr et al.	2009/0241964	A1	10/2009	Aljuri et al.
2006/0130839	A1	6/2006	Bassovitch	2009/0247891	A1	10/2009	Wood
2006/0201507	A1	9/2006	Breen	2009/0250054	A1	10/2009	Loncar et al.
2006/0249148	A1	11/2006	Younes	2009/0250059	A1	10/2009	Allum et al.
2006/0249153	A1	11/2006	DeVries et al.	2009/0255533	A1	10/2009	Freitag et al.
2007/0000494	A1	1/2007	Banner et al.	2009/0260625	A1	10/2009	Wondka
2007/0017515	A1	1/2007	Wallace et al.	2009/0263279	A1	10/2009	Kline et al.
2007/0028921	A1	2/2007	Banner et al.	2009/0270752	A1	10/2009	Coifman
2007/0062531	A1	3/2007	Fisher et al.	2009/0277448	A1	11/2009	Ahlmén et al.
2007/0068530	A1	3/2007	Pacey	2009/0293877	A1	12/2009	Blanch et al.
2007/0073183	A1	3/2007	Kline	2009/0299430	A1	12/2009	Davies et al.
2007/0077200	A1	4/2007	Baker	2009/0301486	A1	12/2009	Masic
2007/0095347	A1	5/2007	Lampotang et al.	2009/0301487	A1	12/2009	Masic
2007/0113854	A1	5/2007	Mcauliffe	2009/0301490	A1	12/2009	Masic
2007/0125377	A1	6/2007	Heinonen et al.	2009/0301491	A1	12/2009	Masic et al.
2007/0144521	A1	6/2007	DeVries et al.	2010/0011307	A1	1/2010	Desfossez et al.
2007/0144523	A1	6/2007	Bolam et al.	2010/0012126	A1	1/2010	Gandini
				2010/0024820	A1	2/2010	Bourdon
				2010/0031961	A1	2/2010	Schmidt
				2010/0051026	A1	3/2010	Graboi
				2010/0051029	A1	3/2010	Jafari et al.

(56)

References Cited

U.S. PATENT DOCUMENTS

2010/0059058	A1	3/2010	Kuo	2011/0138308	A1	6/2011	Palmer et al.
2010/0069761	A1	3/2010	Karst et al.	2011/0138309	A1	6/2011	Skidmore et al.
2010/0071689	A1	3/2010	Thiessen	2011/0138311	A1	6/2011	Palmer
2010/0071692	A1	3/2010	Porges	2011/0138315	A1	6/2011	Vandine et al.
2010/0071695	A1	3/2010	Thiessen	2011/0138323	A1	6/2011	Skidmore et al.
2010/0071696	A1	3/2010	Jafari	2011/0146681	A1	6/2011	Jafari et al.
2010/0071697	A1	3/2010	Jafari et al.	2011/0146683	A1	6/2011	Jafari et al.
2010/0078017	A1	4/2010	Andrieux et al.	2011/0154241	A1	6/2011	Skidmore et al.
2010/0078026	A1	4/2010	Andrieux et al.	2011/0175728	A1	7/2011	Baker, Jr.
2010/0081119	A1	4/2010	Jafari et al.	2011/0196251	A1	8/2011	Jourdain et al.
2010/0081955	A1	4/2010	Wood, Jr. et al.	2011/0209702	A1	9/2011	Vuong et al.
2010/0099999	A1	4/2010	Hemnes et al.	2011/0209704	A1	9/2011	Jafari et al.
2010/0101577	A1	4/2010	Kaestle et al.	2011/0209707	A1	9/2011	Terhark
2010/0106037	A1	4/2010	Kacmarek et al.	2011/0213215	A1	9/2011	Doyle et al.
2010/0125227	A1	5/2010	Bird	2011/0230780	A1	9/2011	Sanborn et al.
2010/0137733	A1	6/2010	Wang et al.	2011/0249006	A1	10/2011	Wallace et al.
2010/0139660	A1	6/2010	Adahan	2011/0259330	A1	10/2011	Jafari et al.
2010/0147302	A1	6/2010	Selvarajan et al.	2011/0259332	A1	10/2011	Sanchez et al.
2010/0147303	A1	6/2010	Jafari et al.	2011/0259333	A1	10/2011	Sanchez et al.
2010/0170512	A1	7/2010	Kuypers et al.	2011/0265024	A1	10/2011	Leone et al.
2010/0175695	A1	7/2010	Jamison	2011/0271960	A1	11/2011	Milne et al.
2010/0179392	A1	7/2010	Chang et al.	2011/0273299	A1	11/2011	Milne et al.
2010/0180897	A1	7/2010	Malgouyres	2012/0000467	A1	1/2012	Milne et al.
2010/0185112	A1	7/2010	Van Kesteren et al.	2012/0000468	A1	1/2012	Milne et al.
2010/0186744	A1	7/2010	Andrieux	2012/0000469	A1	1/2012	Milne et al.
2010/0198095	A1	8/2010	Isler	2012/0000470	A1	1/2012	Milne et al.
2010/0218765	A1	9/2010	Jafari et al.	2012/0029317	A1	2/2012	Doyle et al.
2010/0218766	A1	9/2010	Milne	2012/0030611	A1	2/2012	Skidmore
2010/0218767	A1	9/2010	Jafari et al.	2012/0060841	A1	3/2012	Crawford, Jr. et al.
2010/0222692	A1	9/2010	McCawley et al.	2012/0071729	A1	3/2012	Doyle et al.
2010/0236553	A1	9/2010	Jafari et al.	2012/0090611	A1	4/2012	Graboi et al.
2010/0236555	A1	9/2010	Jafari et al.	2012/0096381	A1	4/2012	Milne et al.
2010/0241019	A1	9/2010	Varga et al.	2012/0133519	A1	5/2012	Milne et al.
2010/0242961	A1	9/2010	Mougel et al.	2012/0136222	A1	5/2012	Doyle et al.
2010/0249584	A1	9/2010	Albertelli	2012/0137249	A1	5/2012	Milne et al.
2010/0252042	A1	10/2010	Kapust et al.	2012/0137250	A1	5/2012	Milne et al.
2010/0268106	A1	10/2010	Johnson et al.	2012/0167885	A1	7/2012	Masic et al.
2010/0268131	A1	10/2010	Efthimiou	2012/0185792	A1	7/2012	Kimm et al.
2010/0269834	A1	10/2010	Freitag et al.	2012/0197578	A1	8/2012	Vig et al.
2010/0282258	A1	11/2010	Tailor et al.	2012/0197580	A1	8/2012	Vij et al.
2010/0282259	A1	11/2010	Figueiredo et al.	2012/0211008	A1	8/2012	Perine et al.
2010/0286544	A1	11/2010	Tanaka et al.	2012/0216809	A1	8/2012	Milne et al.
2010/0288283	A1	11/2010	Campbell et al.	2012/0216810	A1	8/2012	Jafari et al.
2010/0292601	A1	11/2010	Dompeling et al.	2012/0216811	A1	8/2012	Kimm et al.
2010/0300446	A1	12/2010	Nicolazzi et al.	2012/0226444	A1	9/2012	Milne et al.
2010/0324437	A1	12/2010	Freeman et al.	2012/0247471	A1	10/2012	Masic et al.
2010/0324439	A1	12/2010	Davenport	2012/0272960	A1	11/2012	Milne
2011/0004108	A1	1/2011	Peyton	2012/0272961	A1	11/2012	Masic et al.
2011/0009762	A1	1/2011	Eichler et al.	2012/0272962	A1	11/2012	Doyle et al.
2011/0011400	A1	1/2011	Gentner et al.	2012/0277616	A1	11/2012	Sanborn et al.
2011/0023878	A1	2/2011	Thiessen	2012/0279501	A1	11/2012	Wallace et al.
2011/0023879	A1	2/2011	Vandine et al.	2012/0304995	A1	12/2012	Kauc
2011/0023880	A1	2/2011	Thiessen	2012/0304997	A1	12/2012	Jafari et al.
2011/0023881	A1	2/2011	Thiessen	2013/0000644	A1	1/2013	Thiessen
2011/0029910	A1	2/2011	Thiessen	2013/0006133	A1	1/2013	Doyle et al.
2011/0041849	A1	2/2011	Chen et al.	2013/0006134	A1	1/2013	Doyle et al.
2011/0041850	A1	2/2011	Vandine et al.	2013/0008443	A1	1/2013	Thiessen
2011/0066060	A1	3/2011	von Bahr et al.	2013/0025596	A1	1/2013	Jafari et al.
2011/0126829	A1	6/2011	Carter et al.	2013/0025597	A1	1/2013	Doyle et al.
2011/0126832	A1	6/2011	Winter et al.	2013/0032151	A1	2/2013	Adahan
2011/0126834	A1	6/2011	Winter et al.	2013/0047989	A1	2/2013	Vandine et al.
2011/0126835	A1	6/2011	Winter et al.	2013/0053717	A1	2/2013	Vandine et al.
2011/0126836	A1	6/2011	Winter et al.	2013/0074844	A1	3/2013	Kimm et al.
2011/0126837	A1	6/2011	Winter et al.	2013/0081536	A1	4/2013	Crawford, Jr. et al.
2011/0128008	A1	6/2011	Carter	2013/0104896	A1	5/2013	Kimm et al.
2011/0132361	A1	6/2011	Sanchez	2013/0146055	A1	6/2013	Jafari et al.
2011/0132362	A1	6/2011	Sanchez	2013/0167842	A1	7/2013	Jafari et al.
2011/0132364	A1	6/2011	Ogilvie et al.	2013/0167843	A1	7/2013	Kimm et al.
2011/0132365	A1	6/2011	Patel et al.	2013/0192599	A1	8/2013	Nakai et al.
2011/0132366	A1	6/2011	Ogilvie et al.	2013/0220324	A1	8/2013	Jafari et al.
2011/0132367	A1	6/2011	Patel	2013/0255682	A1	10/2013	Jafari et al.
2011/0132368	A1	6/2011	Sanchez et al.	2013/0255685	A1	10/2013	Jafari et al.
2011/0132369	A1	6/2011	Sanchez	2013/0284172	A1	10/2013	Doyle et al.
2011/0132371	A1	6/2011	Sanchez et al.	2013/0284177	A1	10/2013	Li et al.
2011/0133936	A1	6/2011	Sanchez et al.	2014/0000606	A1	1/2014	Doyle et al.
				2014/0012150	A1	1/2014	Milne et al.
				2014/0033668	A1*	2/2014	Kleynen 55/502
				2014/0034054	A1	2/2014	Angelico et al.
				2014/0215982	A1*	8/2014	Wood et al. 55/502

(56)

References Cited

U.S. PATENT DOCUMENTS

OTHER PUBLICATIONS

7200 Ventilatory System: Addendum/Errata. Nellcor Puritan Bennett, Part No. 4-023576-00, Rev. A, Apr. 1998, pp. 1-32.

800 Operator's and Technical Reference Manual. Series Ventilator System, Nellcor Puritan Bennett, Part No. 4-070088-00, Rev. L, Aug. 2010, pp. 1-476.

840 Operator's and Technical Reference Manual. Ventilator System, Nellcor Puritan Bennett, Part No. 4-075609-00, Rev. G, Oct. 2006, pp. 1-424.

U.S. Appl. No. 29/447,977, Notice of Allowance mailed Sep. 3, 2013, 2 pgs.

U.S. Appl. No. 29/447,977, Notice of Allowance mailed Sep. 30, 2013, 2 pgs.

U.S. Appl. No. 29/448,065, Notice of Allowance mailed Sep. 12, 2013, 2 pgs.

U.S. Appl. No. 29/448,065, Notice of Allowance mailed Sep. 30, 2013, 2 pgs.

U.S. Appl. No. 29/448,082, Notice of Allowance mailed Sep. 17, 2013, 2 pgs.

U.S. Appl. No. 29/448,082, Notice of Allowance mailed Sep. 30, 2013, 2 pgs.

U.S. Appl. No. 29/448,065, Notice of Allowance mailed Jul. 10, 2013, 9 pgs.

U.S. Appl. No. 29/448,082, Notice of Allowance mailed Jul. 9, 2013, 9 pgs.

U.S. Appl. No. 29/447,977, Notice of Allowance mailed Jul. 31, 2013, 10 pgs.

* cited by examiner

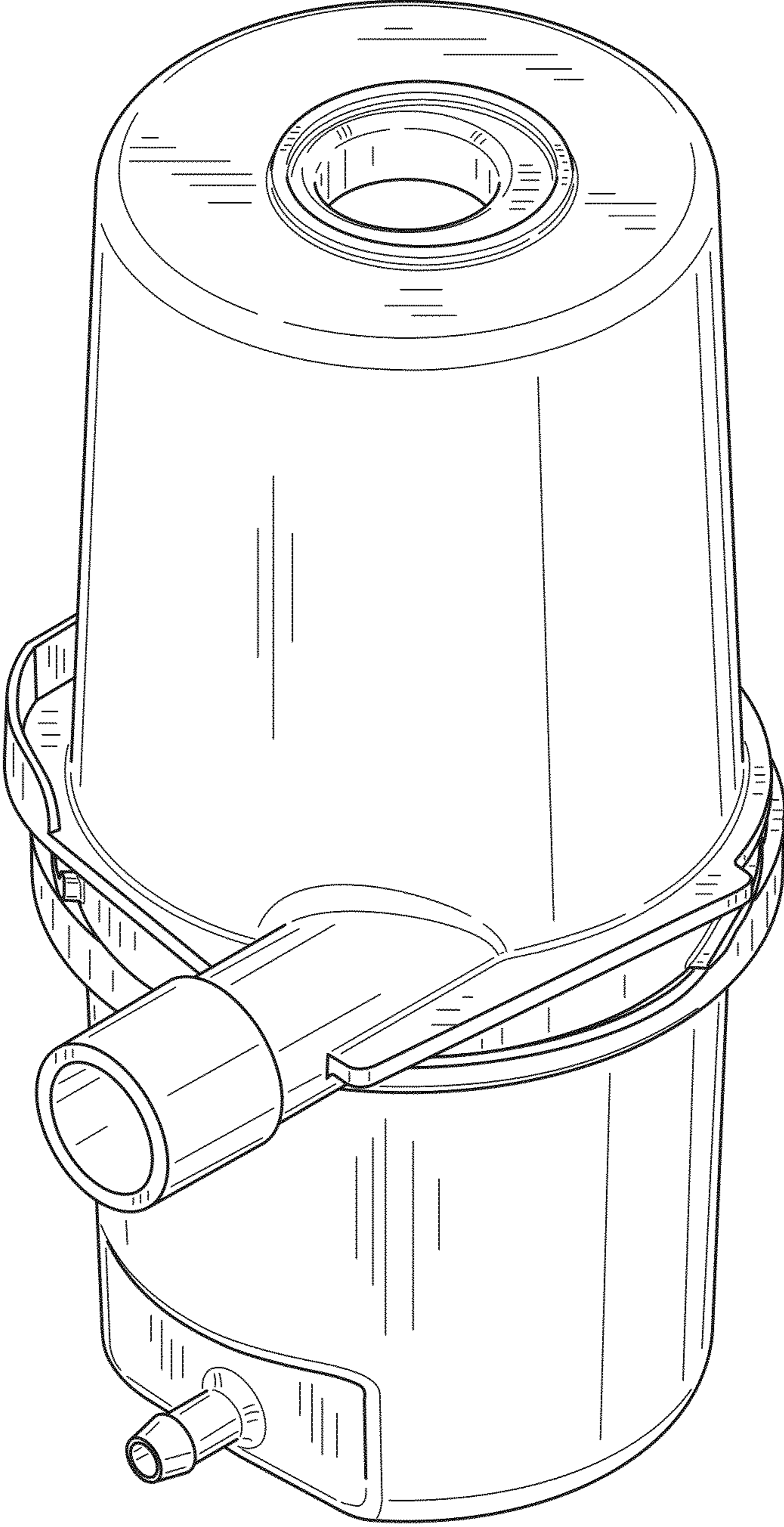


FIG.1

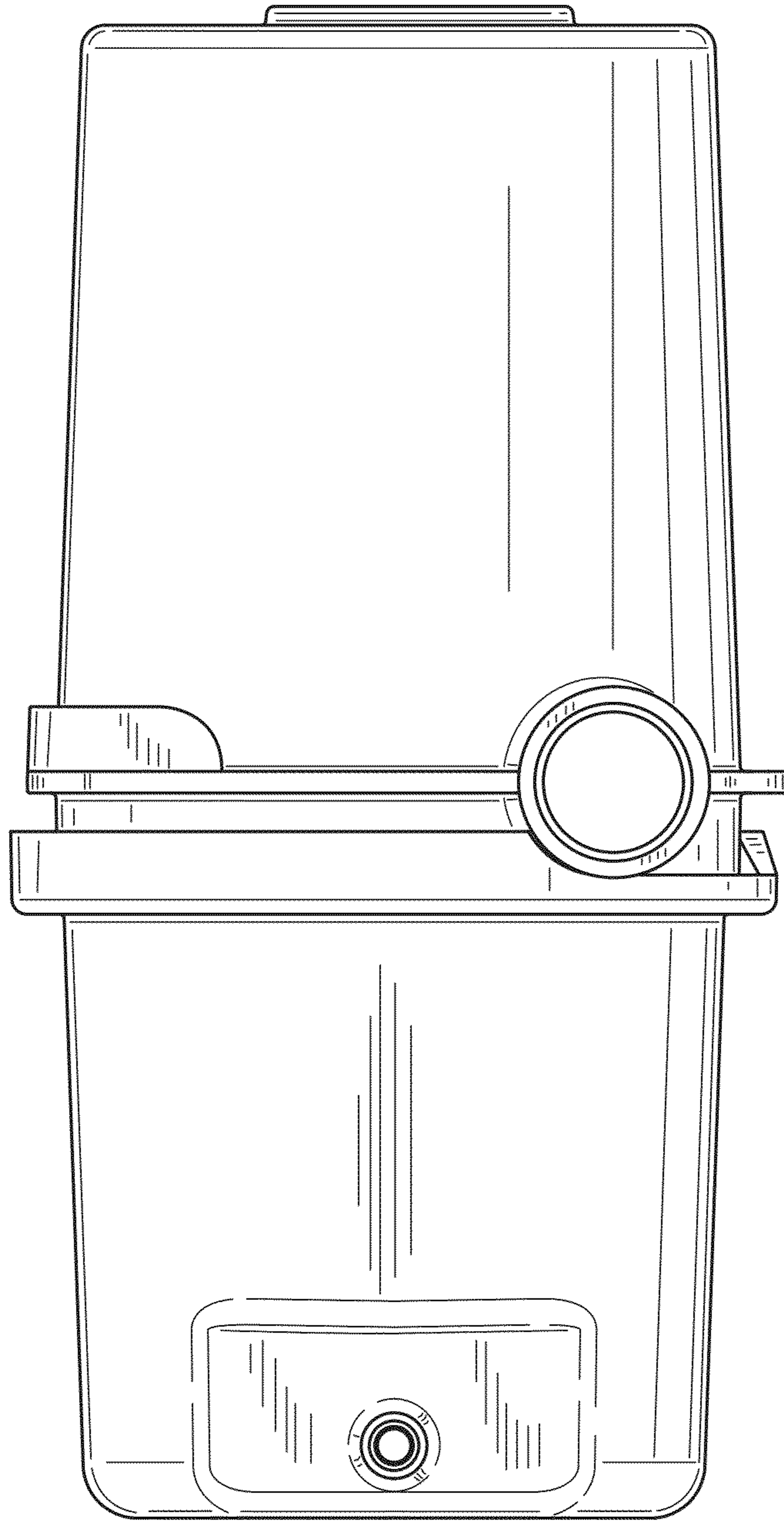


FIG.2

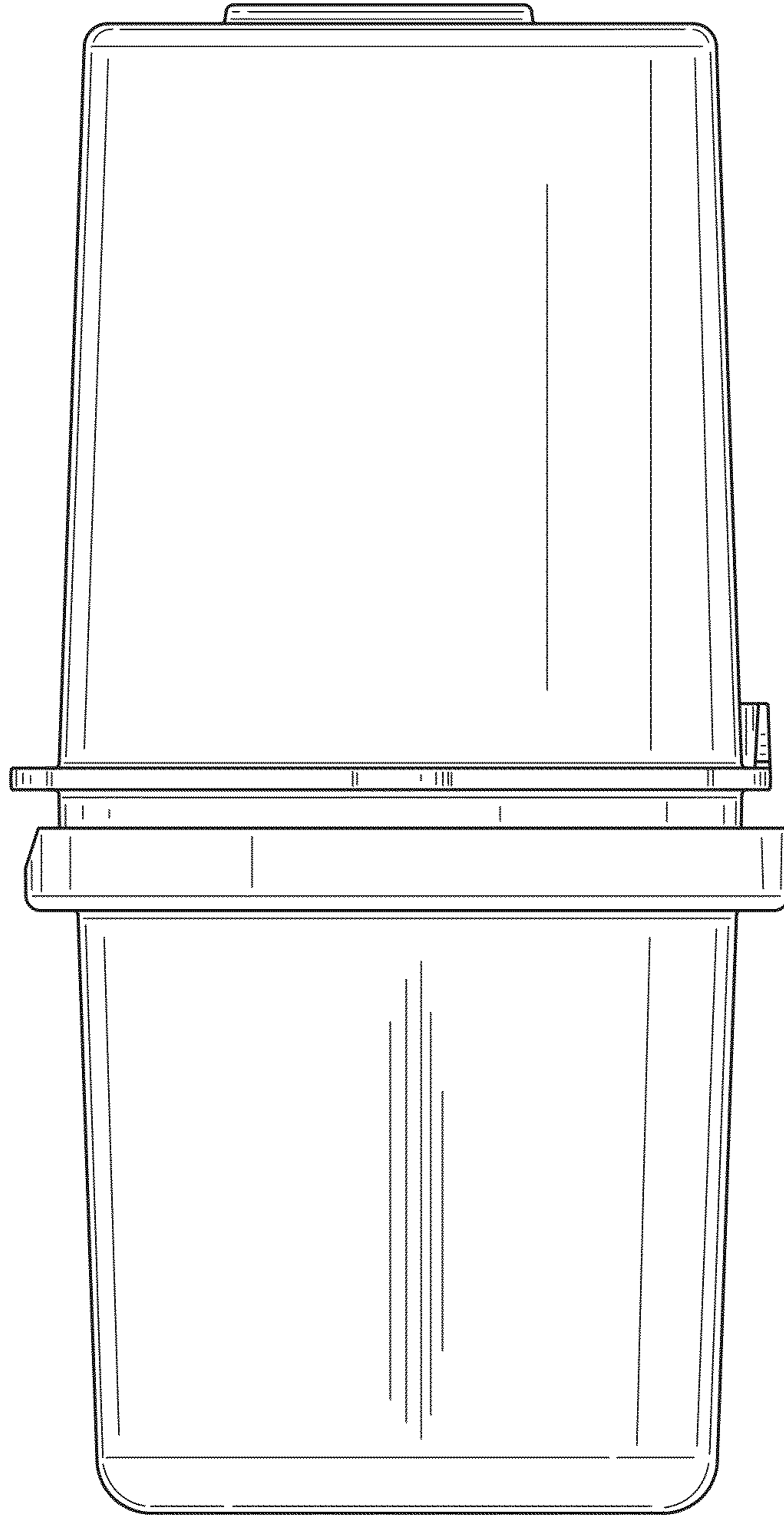


FIG.3

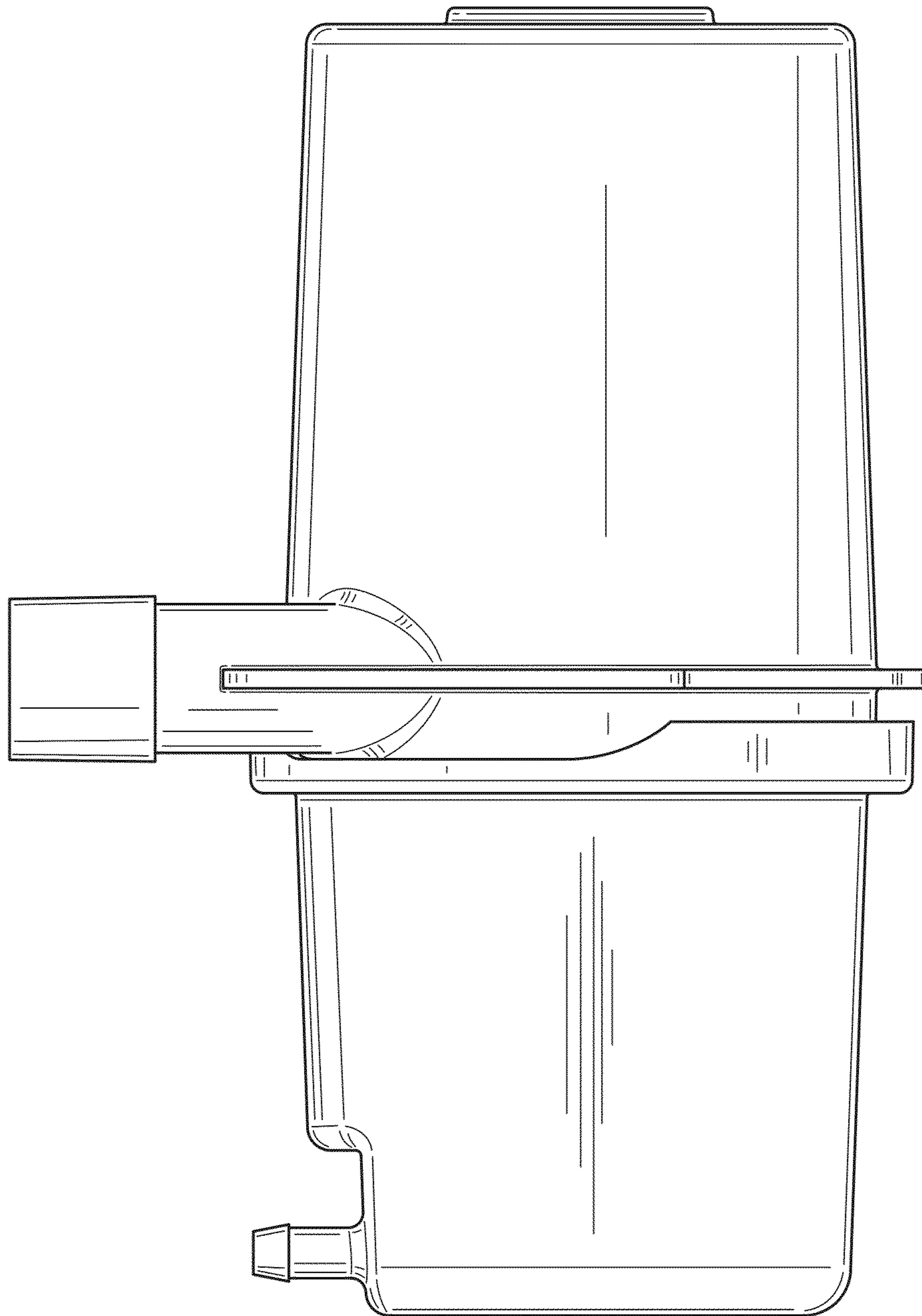


FIG.4

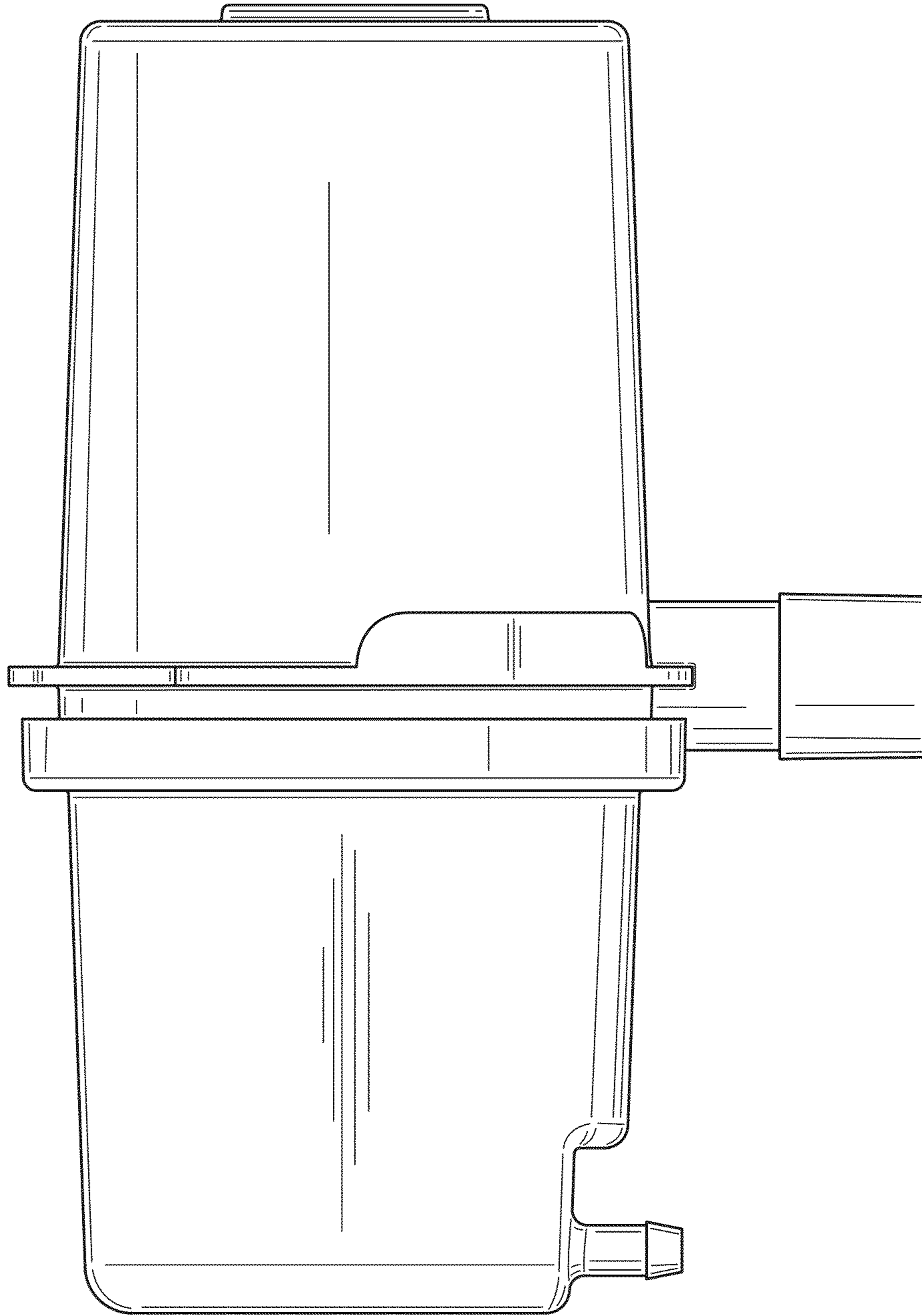


FIG.5

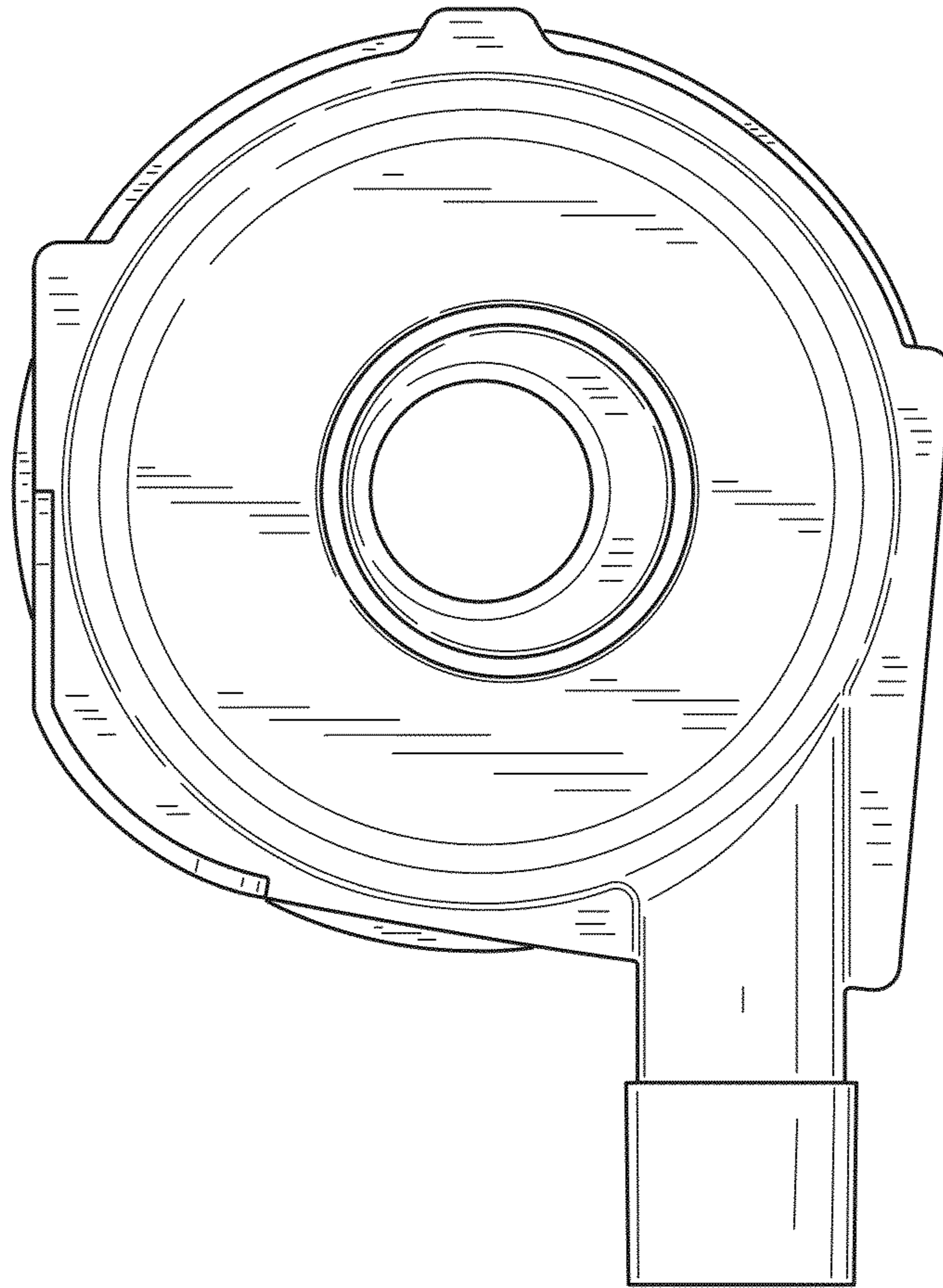


FIG.6

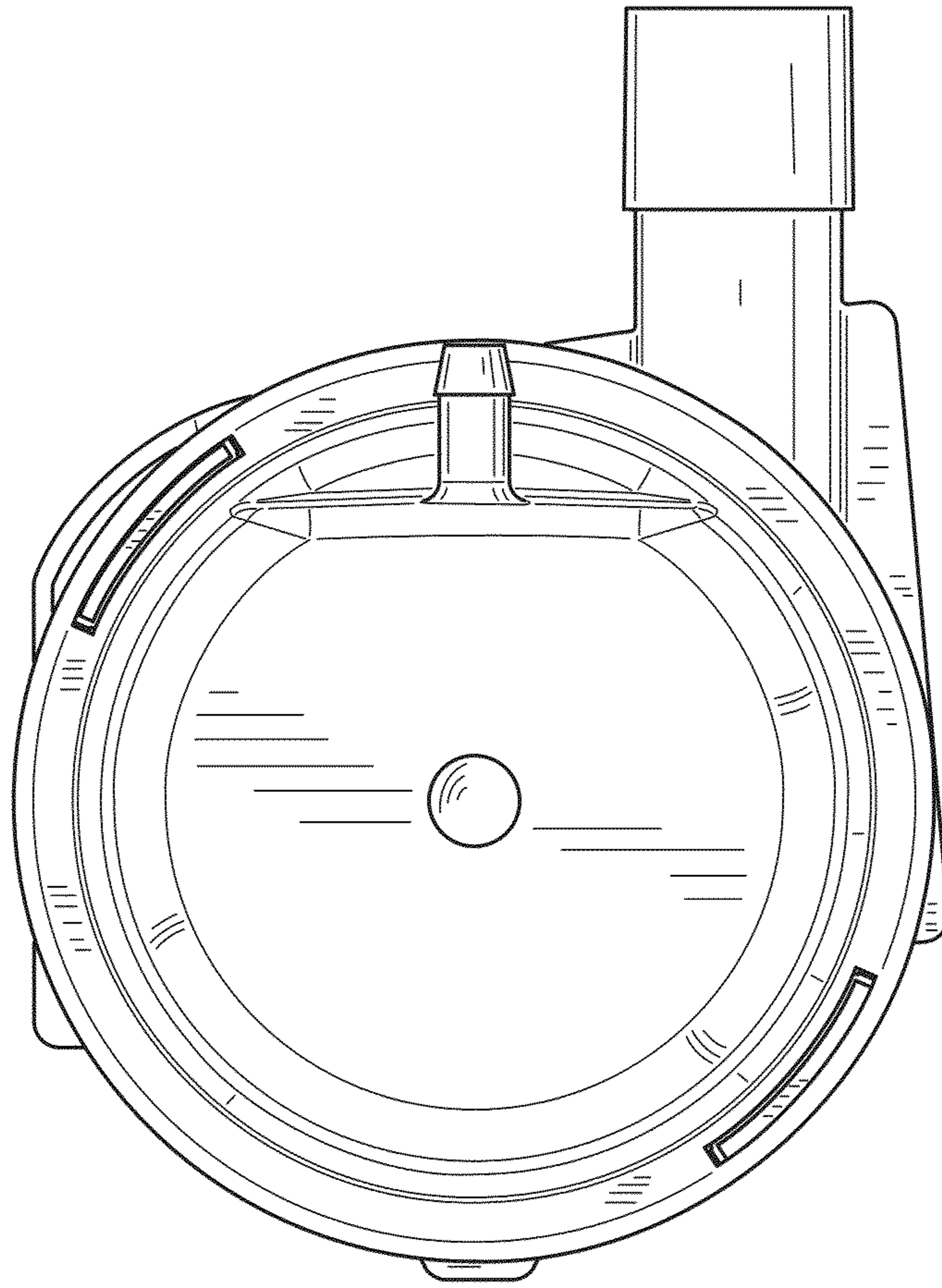


FIG.7