



US00D731048S

(12) **United States Design Patent**  
**Winter**

(10) **Patent No.:** **US D731,048 S**  
(45) **Date of Patent:** **\*\* Jun. 2, 2015**

(54) **EVQ DIAPHRAGM OF AN EXHALATION MODULE**

(71) Applicant: **Covidien LP**, Boulder, CO (US)

(72) Inventor: **David Phillip Winter**, Encinitas, CA (US)

(73) Assignee: **Covidien LP**, Mansfield, MA (US)

(\*\*) Term: **14 Years**

(21) Appl. No.: **29/447,999**

(22) Filed: **Mar. 8, 2013**

(51) **LOC (10) Cl.** ..... **24-01**

(52) **U.S. Cl.**  
USPC ..... **D24/107**

(58) **Field of Classification Search**  
USPC ..... D24/107, 110, 110.6, 129, 127, 162,  
D24/164, 108, 121; 600/529, 538, 543, 532  
CPC ..... A61B 5/08; A61B 5/4818; A61B 5/097;  
A61B 5/091; A61B 5/087; A61M 16/10;  
A61M 16/20

See application file for complete search history.

(56) **References Cited**

U.S. PATENT DOCUMENTS

2,784,865	A *	3/1957	Rieke	220/258.5
3,143,441	A *	8/1964	Coleman et al.	429/54
3,444,857	A	5/1969	Godel	
3,481,333	A	12/1969	Garrison	
3,485,243	A	12/1969	Bird et al.	
3,688,794	A	9/1972	Bird et al.	
4,241,756	A	12/1980	Bennett et al.	
D266,190	S	9/1982	Herman	
4,527,557	A	7/1985	DeVries et al.	
4,608,976	A	9/1986	Suchy	
4,699,137	A	10/1987	Schroeder	
RE32,553	E	12/1987	Bennett et al.	
4,712,580	A	12/1987	Gilman et al.	
4,727,871	A	3/1988	Smargiassi et al.	

4,747,403	A	5/1988	Gluck et al.
4,752,089	A	6/1988	Carter
4,880,411	A	11/1989	Fangrow et al.
4,921,642	A	5/1990	LaTorraca
4,954,799	A	9/1990	Kumar
4,956,148	A	9/1990	Grandone
4,957,107	A	9/1990	Sipin
4,991,576	A	2/1991	Henkin et al.
4,993,269	A	2/1991	Guillaume et al.
5,000,173	A	3/1991	Zalkin et al.

(Continued)

FOREIGN PATENT DOCUMENTS

WO WO 2007/102866 9/2007

OTHER PUBLICATIONS

U.S. Appl. No. 29/447,977, Notice of Allowance mailed Sep. 3, 2013, 2 pgs.

(Continued)

*Primary Examiner* — Deanna Pratt  
*Assistant Examiner* — Lilyana Bekic

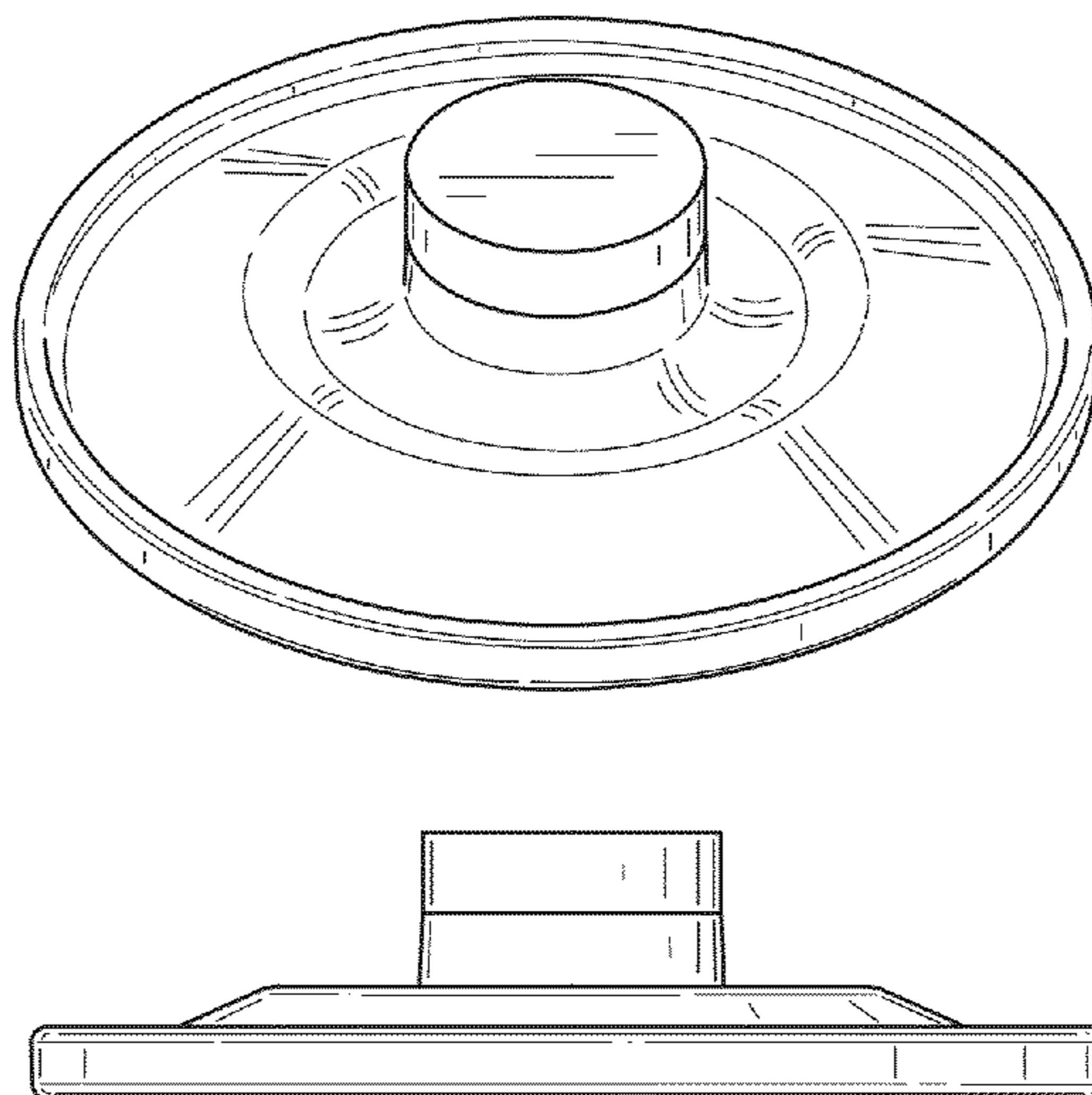
(57) **CLAIM**

The ornamental design for an EVQ diaphragm of an exhalation module, as shown and described.

**DESCRIPTION**

FIG. 1 is a perspective view of an EVQ diaphragm of an exhalation module showing a new design.  
FIG. 2 is a side view of an EVQ diaphragm of an exhalation module showing a new design.  
FIG. 3 is a top view of an EVQ diaphragm of an exhalation module showing a new design.  
FIG. 4 is a bottom view of an EVQ diaphragm of an exhalation module showing a new design; and,  
FIG. 5 is a cross-sectional view of an EVQ diaphragm of an exhalation module showing a new design.

**1 Claim, 3 Drawing Sheets**







(56)

References Cited

U.S. PATENT DOCUMENTS

7,900,626 B2 3/2011 Daly  
7,913,690 B2 3/2011 Fisher et al.  
D636,878 S \* 4/2011 Lee ..... D24/162  
D638,852 S 5/2011 Skidmore et al.  
7,984,714 B2 7/2011 Hausmann et al.  
D643,535 S 8/2011 Ross et al.  
7,992,557 B2 8/2011 Nadjafizadeh et al.  
8,001,967 B2 8/2011 Wallace et al.  
D645,158 S 9/2011 Sanchez et al.  
8,021,310 B2 9/2011 Sanborn et al.  
D649,157 S 11/2011 Skidmore et al.  
D652,521 S 1/2012 Ross et al.  
D652,936 S 1/2012 Ross et al.  
D653,749 S 2/2012 Winter et al.  
8,113,062 B2 2/2012 Graboi et al.  
D655,405 S 3/2012 Winter et al.  
D655,809 S 3/2012 Winter et al.  
D656,237 S 3/2012 Sanchez et al.  
8,141,849 B1 \* 3/2012 Blume ..... 251/332  
D659,254 S 5/2012 Miyashita et al.  
8,176,916 B2 \* 5/2012 Pedarzini et al. .... 128/205.12  
8,181,648 B2 5/2012 Perine et al.  
8,210,173 B2 7/2012 Vandine  
8,210,174 B2 7/2012 Farbarik  
8,240,684 B2 8/2012 Ross et al.  
8,267,085 B2 9/2012 Jafari et al.  
8,272,379 B2 9/2012 Jafari et al.  
8,272,380 B2 9/2012 Jafari et al.  
8,302,600 B2 11/2012 Andrieux et al.  
8,302,602 B2 11/2012 Andrieux et al.  
D692,556 S 10/2013 Winter  
D693,001 S 11/2013 Winter  
D701,601 S 3/2014 Winter  
2002/0026941 A1 3/2002 Biondi et al.  
2002/0138213 A1 9/2002 Mault  
2003/0062045 A1 4/2003 Woodring et al.  
2004/0138577 A1 7/2004 Kline  
2004/0261793 A1 12/2004 Stromberg et al.  
2005/0039748 A1 2/2005 Andrieux  
2005/0098177 A1 5/2005 Haj-Yahya et al.  
2005/0139211 A1 6/2005 Alston et al.  
2005/0139212 A1 6/2005 Bourdon  
2005/0150494 A1 7/2005 DeVries et al.  
2005/0217671 A1 10/2005 Fisher et al.  
2006/0032499 A1 2/2006 Halsnes  
2006/0129054 A1 6/2006 Orr et al.  
2006/0130839 A1 6/2006 Bassovitch  
2006/0201507 A1 9/2006 Breen  
2006/0249148 A1 11/2006 Younes  
2006/0249153 A1 11/2006 DeVries et al.  
2007/0000494 A1 1/2007 Banner et al.  
2007/0017515 A1 1/2007 Wallace et al.  
2007/0028921 A1 2/2007 Banner et al.  
2007/0062531 A1 3/2007 Fisher et al.  
2007/0068530 A1 3/2007 Pacey  
2007/0073183 A1 3/2007 Kline  
2007/0077200 A1 4/2007 Baker  
2007/0095347 A1 5/2007 Lampotang et al.  
2007/0101999 A1 \* 5/2007 Duquette et al. .... 128/207.14  
2007/0113854 A1 5/2007 Mcauliffe  
2007/0125377 A1 6/2007 Heinonen et al.  
2007/0144521 A1 6/2007 DeVries et al.  
2007/0144523 A1 6/2007 Bolam et al.  
2007/0157930 A1 7/2007 Soliman et al.  
2007/0157931 A1 7/2007 Parker et al.  
2007/0163579 A1 7/2007 Li et al.  
2007/0225612 A1 9/2007 Mace et al.  
2007/0227537 A1 10/2007 Bemister et al.  
2007/0232952 A1 10/2007 Baddour  
2007/0255160 A1 11/2007 Daly  
2007/0284361 A1 12/2007 Nadjafizadeh et al.  
2008/0045825 A1 2/2008 Melker et al.  
2008/0053438 A1 3/2008 DeVries et al.  
2008/0053441 A1 3/2008 Gottlib et al.  
2008/0060646 A1 3/2008 Isaza  
2008/0060656 A1 3/2008 Isaza  
2008/0072896 A1 3/2008 Setzer et al.  
2008/0072902 A1 3/2008 Setzer et al.  
2008/0078390 A1 4/2008 Milne et al.  
2008/0083644 A1 4/2008 Janbakhsh et al.  
2008/0092894 A1 4/2008 Nicolazzi et al.  
2008/0097234 A1 4/2008 Nicolazzi et al.  
2008/0135044 A1 6/2008 Freitag et al.  
2008/0183094 A1 7/2008 Schonfuss et al.  
2008/0196720 A1 8/2008 Kollmeyer et al.  
2008/0202517 A1 8/2008 Mitton et al.  
2008/0202518 A1 8/2008 Mitton et al.  
2008/0214947 A1 9/2008 Hunt et al.  
2008/0230062 A1 9/2008 Tham  
2008/0257349 A1 10/2008 Hedner et al.  
2008/0276939 A1 11/2008 Tiedje  
2009/0000621 A1 1/2009 Haggblom et al.  
2009/0007914 A1 1/2009 Bateman  
2009/0050153 A1 2/2009 Brunner  
2009/0056708 A1 3/2009 Stenzler et al.  
2009/0056719 A1 3/2009 Newman, Jr.  
2009/0071478 A1 3/2009 Kalfon  
2009/0078251 A1 3/2009 Zucchi et al.  
2009/0084381 A1 4/2009 DeVries et al.  
2009/0090359 A1 4/2009 Daviet et al.  
2009/0114223 A1 5/2009 Bonassa  
2009/0133695 A1 5/2009 Rao et al.  
2009/0137919 A1 5/2009 Bar-Lavie et al.  
2009/0165795 A1 7/2009 Nadjafizadeh et al.  
2009/0171176 A1 7/2009 Andersohn  
2009/0188502 A1 7/2009 Tiedje  
2009/0205661 A1 8/2009 Stephenson et al.  
2009/0205663 A1 8/2009 Vandine et al.  
2009/0217923 A1 9/2009 Boehm et al.  
2009/0221926 A1 9/2009 Younes  
2009/0229612 A1 9/2009 Levi et al.  
2009/0235935 A1 9/2009 Pacey  
2009/0241948 A1 10/2009 Clancy et al.  
2009/0241951 A1 10/2009 Jafari et al.  
2009/0241952 A1 10/2009 Nicolazzi et al.  
2009/0241953 A1 10/2009 Vandine et al.  
2009/0241955 A1 10/2009 Jafari et al.  
2009/0241956 A1 10/2009 Baker, Jr. et al.  
2009/0241957 A1 10/2009 Baker, Jr.  
2009/0241958 A1 10/2009 Baker, Jr.  
2009/0241962 A1 10/2009 Jafari et al.  
2009/0241964 A1 10/2009 Aljuri et al.  
2009/0247891 A1 10/2009 Wood  
2009/0250054 A1 10/2009 Loncar et al.  
2009/0250059 A1 10/2009 Allum et al.  
2009/0255533 A1 10/2009 Freitag et al.  
2009/0260625 A1 10/2009 Wondka  
2009/0263279 A1 10/2009 Kline et al.  
2009/0270752 A1 10/2009 Coifman  
2009/0277448 A1 11/2009 Ahlmén et al.  
2009/0293877 A1 12/2009 Blanch et al.  
2009/0299430 A1 12/2009 Davies et al.  
2009/0301486 A1 12/2009 Masic  
2009/0301487 A1 12/2009 Masic  
2009/0301490 A1 12/2009 Masic  
2009/0301491 A1 12/2009 Masic et al.  
2010/0011307 A1 1/2010 Desfossez et al.  
2010/0012126 A1 1/2010 Gandini  
2010/0024820 A1 2/2010 Bourdon  
2010/0031961 A1 2/2010 Schmidt  
2010/0051026 A1 3/2010 Graboi  
2010/0051029 A1 3/2010 Jafari et al.  
2010/0059058 A1 3/2010 Kuo  
2010/0069761 A1 3/2010 Karst et al.  
2010/0071689 A1 3/2010 Thiessen  
2010/0071692 A1 3/2010 Porges  
2010/0071695 A1 3/2010 Thiessen  
2010/0071696 A1 3/2010 Jafari  
2010/0071697 A1 3/2010 Jafari et al.  
2010/0078017 A1 4/2010 Andrieux et al.  
2010/0078026 A1 4/2010 Andrieux et al.  
2010/0081119 A1 4/2010 Jafari et al.  
2010/0081955 A1 4/2010 Wood, Jr. et al.  
2010/0099999 A1 4/2010 Hemnes et al.

(56)

References Cited

U.S. PATENT DOCUMENTS

2010/0101577 A1 4/2010 Kaestle et al.  
 2010/0106037 A1 4/2010 Kacmarek et al.  
 2010/0125227 A1 5/2010 Bird  
 2010/0137733 A1 6/2010 Wang et al.  
 2010/0139660 A1 6/2010 Adahan  
 2010/0147302 A1 6/2010 Selvarajan et al.  
 2010/0147303 A1 6/2010 Jafari et al.  
 2010/0170512 A1 7/2010 Kuypers et al.  
 2010/0175695 A1 7/2010 Jamison  
 2010/0179392 A1 7/2010 Chang et al.  
 2010/0180897 A1 7/2010 Malgouyres  
 2010/0185112 A1 7/2010 Van Kesteren et al.  
 2010/0186744 A1 7/2010 Andrieux  
 2010/0198095 A1 8/2010 Isler  
 2010/0218765 A1 9/2010 Jafari et al.  
 2010/0218766 A1 9/2010 Milne  
 2010/0218767 A1 9/2010 Jafari et al.  
 2010/0222692 A1 9/2010 McCawley et al.  
 2010/0236553 A1 9/2010 Jafari et al.  
 2010/0236555 A1 9/2010 Jafari et al.  
 2010/0241019 A1 9/2010 Varga et al.  
 2010/0242961 A1 9/2010 Mougel et al.  
 2010/0249584 A1 9/2010 Albertelli  
 2010/0252042 A1 10/2010 Kapust et al.  
 2010/0268106 A1 10/2010 Johnson et al.  
 2010/0268131 A1 10/2010 Efthimiou  
 2010/0269834 A1 10/2010 Freitag et al.  
 2010/0282258 A1 11/2010 Tailor et al.  
 2010/0282259 A1 11/2010 Figueiredo et al.  
 2010/0286544 A1 11/2010 Tanaka et al.  
 2010/0288283 A1 11/2010 Campbell et al.  
 2010/0292601 A1 11/2010 Dompeling et al.  
 2010/0300446 A1 12/2010 Nicolazzi et al.  
 2010/0324437 A1 12/2010 Freeman et al.  
 2010/0324439 A1 12/2010 Davenport  
 2011/0004108 A1 1/2011 Peyton  
 2011/0009762 A1 1/2011 Eichler et al.  
 2011/0011400 A1 1/2011 Gentner et al.  
 2011/0023878 A1 2/2011 Thiessen  
 2011/0023879 A1 2/2011 Vandine et al.  
 2011/0023880 A1 2/2011 Thiessen  
 2011/0023881 A1 2/2011 Thiessen  
 2011/0029910 A1 2/2011 Thiessen  
 2011/0041849 A1 2/2011 Chen et al.  
 2011/0041850 A1 2/2011 Vandine et al.  
 2011/0066060 A1 3/2011 von Bahr et al.  
 2011/0126829 A1 6/2011 Carter et al.  
 2011/0126832 A1 6/2011 Winter et al.  
 2011/0126834 A1 6/2011 Winter et al.  
 2011/0126835 A1 6/2011 Winter et al.  
 2011/0126836 A1 6/2011 Winter et al.  
 2011/0126837 A1 6/2011 Winter et al.  
 2011/0128008 A1 6/2011 Carter  
 2011/0132361 A1 6/2011 Sanchez  
 2011/0132362 A1 6/2011 Sanchez  
 2011/0132364 A1 6/2011 Ogilvie et al.  
 2011/0132365 A1 6/2011 Patel et al.  
 2011/0132366 A1 6/2011 Ogilvie et al.  
 2011/0132367 A1 6/2011 Patel  
 2011/0132368 A1 6/2011 Sanchez et al.  
 2011/0132369 A1 6/2011 Sanchez  
 2011/0132371 A1 6/2011 Sanchez et al.  
 2011/0133936 A1 6/2011 Sanchez et al.  
 2011/0138308 A1 6/2011 Palmer et al.  
 2011/0138309 A1 6/2011 Skidmore et al.  
 2011/0138311 A1 6/2011 Palmer  
 2011/0138315 A1 6/2011 Vandine et al.  
 2011/0138323 A1 6/2011 Skidmore et al.  
 2011/0146681 A1 6/2011 Jafari et al.  
 2011/0146683 A1 6/2011 Jafari et al.  
 2011/0154241 A1 6/2011 Skidmore et al.  
 2011/0175728 A1 7/2011 Baker, Jr.  
 2011/0196251 A1 8/2011 Jourdain et al.  
 2011/0209702 A1 9/2011 Vuong et al.  
 2011/0209704 A1 9/2011 Jafari et al.

2011/0209707 A1 9/2011 Terhark  
 2011/0213215 A1 9/2011 Doyle et al.  
 2011/0230780 A1 9/2011 Sanborn et al.  
 2011/0249006 A1 10/2011 Wallace et al.  
 2011/0259330 A1 10/2011 Jafari et al.  
 2011/0259332 A1 10/2011 Sanchez et al.  
 2011/0259333 A1 10/2011 Sanchez et al.  
 2011/0265024 A1 10/2011 Leone et al.  
 2011/0271960 A1 11/2011 Milne et al.  
 2011/0273299 A1 11/2011 Milne et al.  
 2012/0000467 A1 1/2012 Milne et al.  
 2012/0000468 A1 1/2012 Milne et al.  
 2012/0000469 A1 1/2012 Milne et al.  
 2012/0000470 A1 1/2012 Milne et al.  
 2012/0029317 A1 2/2012 Doyle et al.  
 2012/0030611 A1 2/2012 Skidmore  
 2012/0060841 A1 3/2012 Crawford, Jr. et al.  
 2012/0071729 A1 3/2012 Doyle et al.  
 2012/0090611 A1 4/2012 Graboi et al.  
 2012/0096381 A1 4/2012 Milne et al.  
 2012/0133519 A1 5/2012 Milne et al.  
 2012/0136222 A1 5/2012 Doyle et al.  
 2012/0137249 A1 5/2012 Milne et al.  
 2012/0137250 A1 5/2012 Milne et al.  
 2012/0167885 A1 7/2012 Masic et al.  
 2012/0185792 A1 7/2012 Kimm et al.  
 2012/0197578 A1 8/2012 Vig et al.  
 2012/0197580 A1 8/2012 Vij et al.  
 2012/0211008 A1 8/2012 Perine et al.  
 2012/0216809 A1 8/2012 Milne et al.  
 2012/0216810 A1 8/2012 Jafari et al.  
 2012/0216811 A1 8/2012 Kimm et al.  
 2012/0226444 A1 9/2012 Milne et al.  
 2012/0247471 A1 10/2012 Masic et al.  
 2012/0272960 A1 11/2012 Milne  
 2012/0272961 A1 11/2012 Masic et al.  
 2012/0272962 A1 11/2012 Doyle et al.  
 2012/0277616 A1 11/2012 Sanborn et al.  
 2012/0279501 A1 11/2012 Wallace et al.  
 2012/0304995 A1 12/2012 Kauc  
 2012/0304997 A1 12/2012 Jafari et al.  
 2013/0000644 A1 1/2013 Thiessen  
 2013/0006133 A1 1/2013 Doyle et al.  
 2013/0006134 A1 1/2013 Doyle et al.  
 2013/0008443 A1 1/2013 Thiessen  
 2013/0025596 A1 1/2013 Jafari et al.  
 2013/0025597 A1 1/2013 Doyle et al.  
 2013/0032151 A1 2/2013 Adahan  
 2013/0047989 A1 2/2013 Vandine et al.  
 2013/0053717 A1 2/2013 Vandine et al.  
 2013/0074844 A1 3/2013 Kimm et al.  
 2013/0081536 A1 4/2013 Crawford, Jr. et al.  
 2013/0104896 A1 5/2013 Kimm et al.  
 2013/0146055 A1 6/2013 Jafari et al.  
 2013/0167842 A1 7/2013 Jafari et al.  
 2013/0167843 A1 7/2013 Kimm et al.  
 2013/0192599 A1 8/2013 Nakai et al.  
 2013/0220324 A1 8/2013 Jafari et al.  
 2013/0255682 A1 10/2013 Jafari et al.  
 2013/0255685 A1 10/2013 Jafari et al.  
 2013/0284172 A1 10/2013 Doyle et al.  
 2013/0284177 A1 10/2013 Li et al.  
 2014/0000606 A1 1/2014 Doyle et al.  
 2014/0012150 A1 1/2014 Milne et al.  
 2014/0034054 A1 2/2014 Angelico et al.  
 2014/0276176 A1\* 9/2014 Winter ..... 600/538

OTHER PUBLICATIONS

U.S. Appl. No. 29/447,977, Notice of Allowance mailed Sep. 30, 2013, 2 pgs.  
 U.S. Appl. No. 29/448,065, Notice of Allowance mailed Sep. 12, 2013, 2 pgs.  
 U.S. Appl. No. 29/448,065, Notice of Allowance mailed Sep. 30, 2013, 2 pgs.  
 U.S. Appl. No. 29/448,082, Notice of Allowance mailed Sep. 17, 2013, 2 pgs.  
 U.S. Appl. No. 29/448,082, Notice of Allowance mailed Sep. 30, 2013, 2 pgs.

(56)

**References Cited**

OTHER PUBLICATIONS

7200 Series Ventilator, Options, and Accessories: Operator's Manual. Nellcor Puritan Bennett, Part No. 22300 A, Sep. 1990, pp. 1-196.

7200 Ventilatory System: Addendum/Errata. Nellcor Puritan Bennett, Part No. 4-023576-00, Rev. A, Apr. 1998, pp. 1-32.

800 Operator's and Technical Reference Manual. Series Ventilator System, Nellcor Puritan Bennett, Part No. 4-070088-00, Rev. L, Aug. 2010, pp. 1-476.

840 Operator's and Technical Reference Manual. Ventilator System, Nellcor Puritan Bennett, Part No. 4-075609-00, Rev. G, Oct. 2006, pp. 1-424.

U.S. Appl. No. 29/448,065, Notice of Allowance mailed Jul. 10, 2013, 9 pgs.

U.S. Appl. No. 29/448,082, Notice of Allowance mailed Jul. 9, 2013, 9 pgs.

U.S. Appl. No. 29/447,977, Notice of Allowance mailed Jul. 31, 2013, 10 pgs.

\* cited by examiner

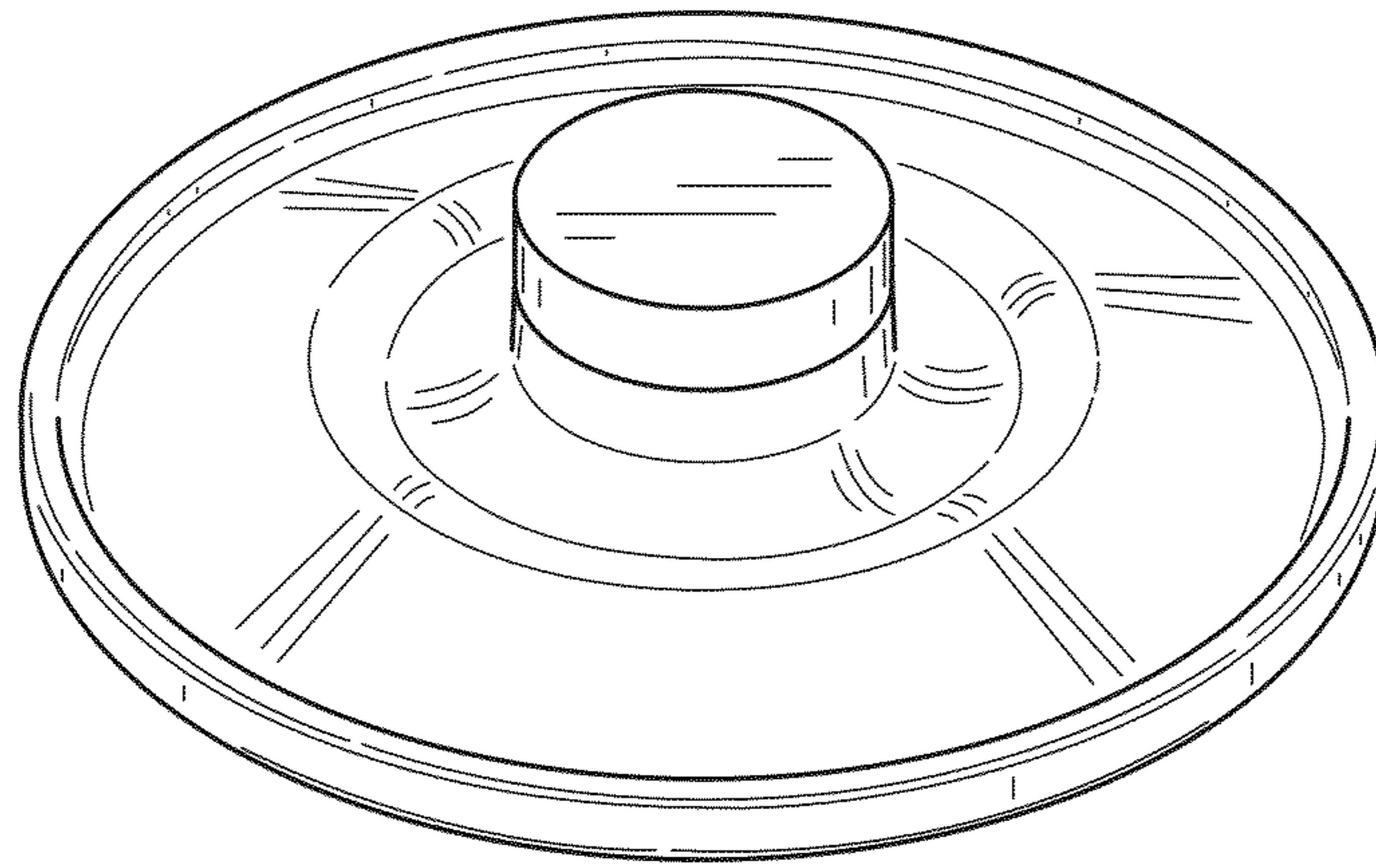


FIG.1

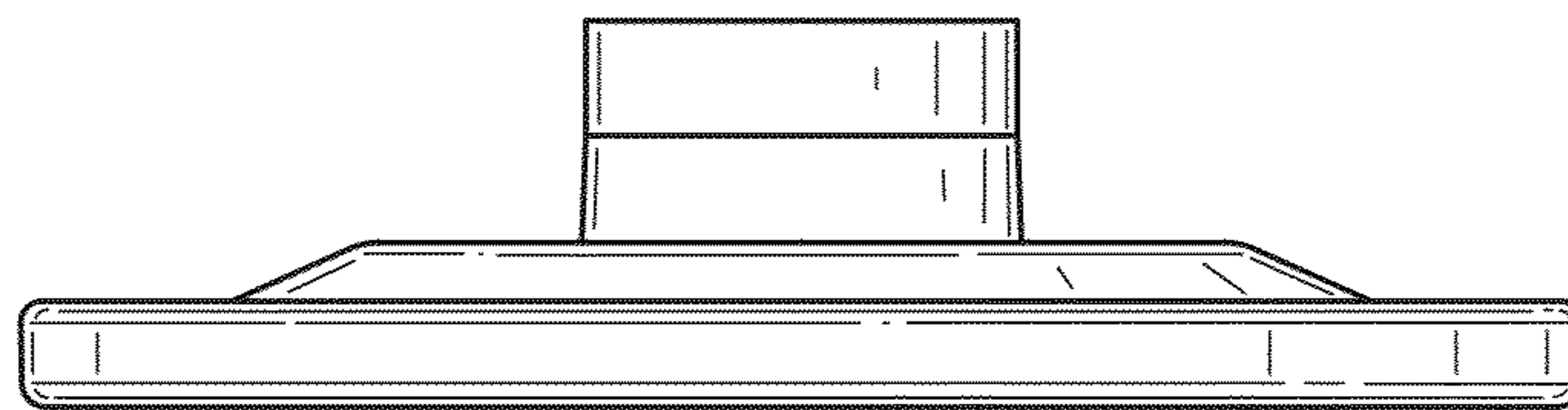


FIG.2

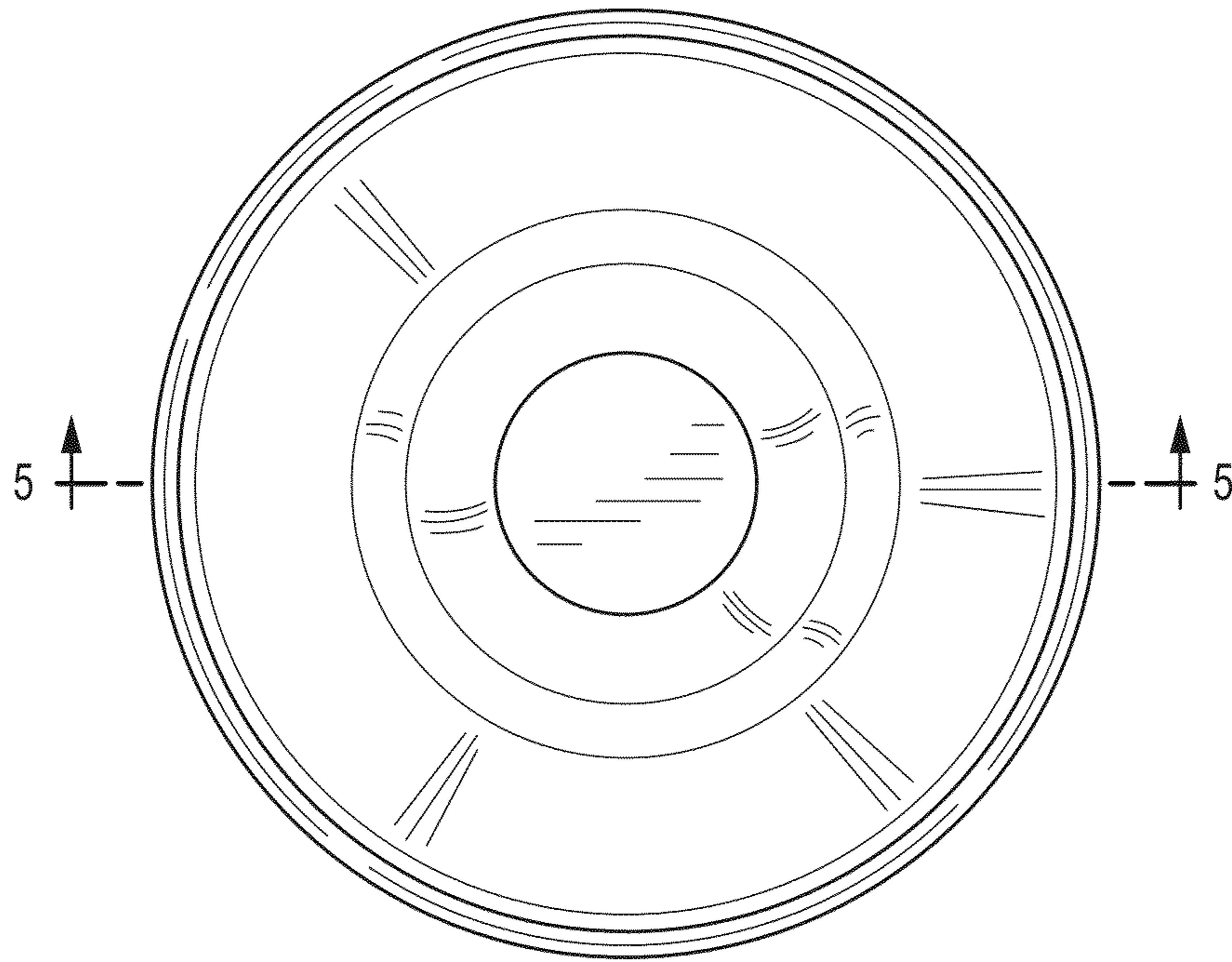


FIG.3

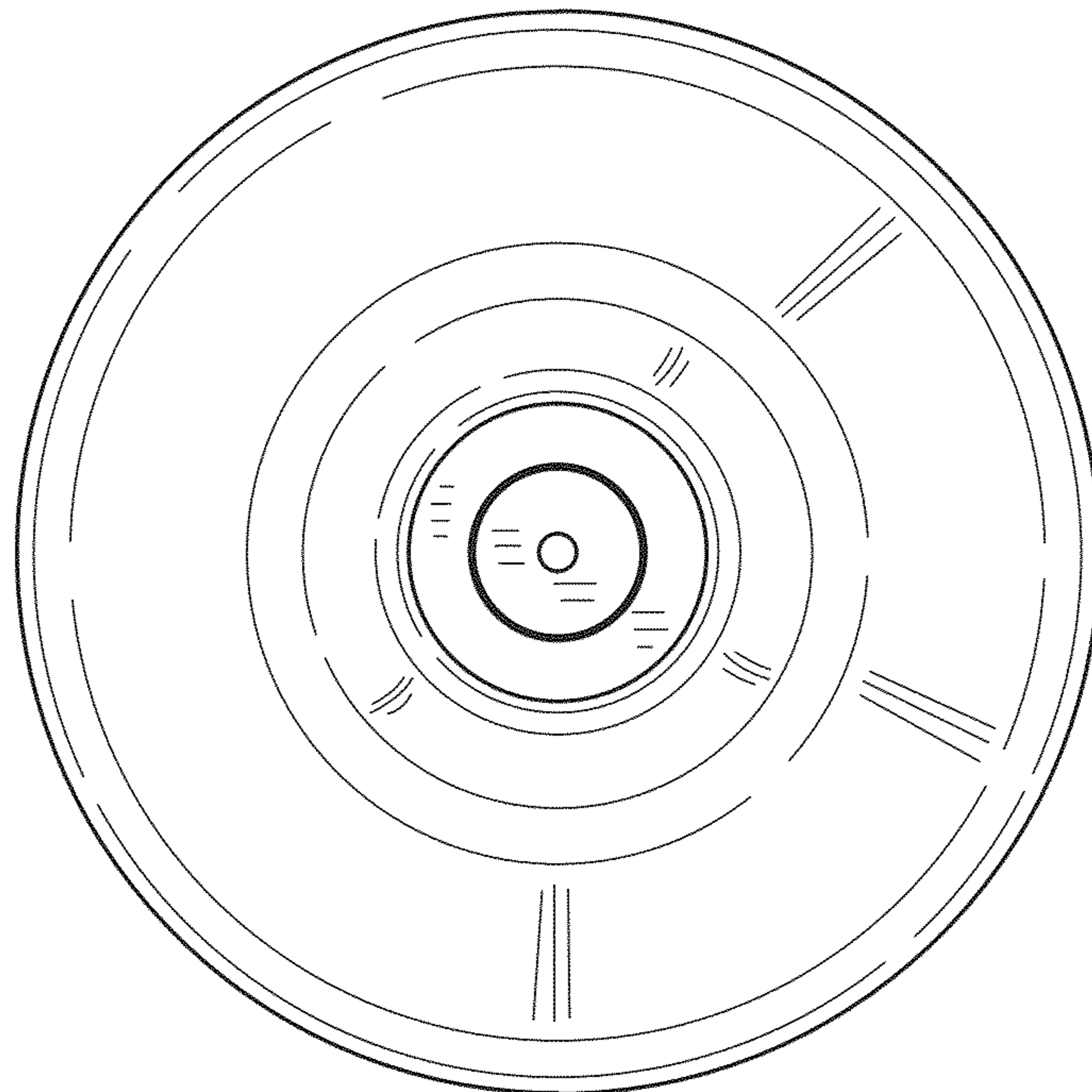


FIG.4



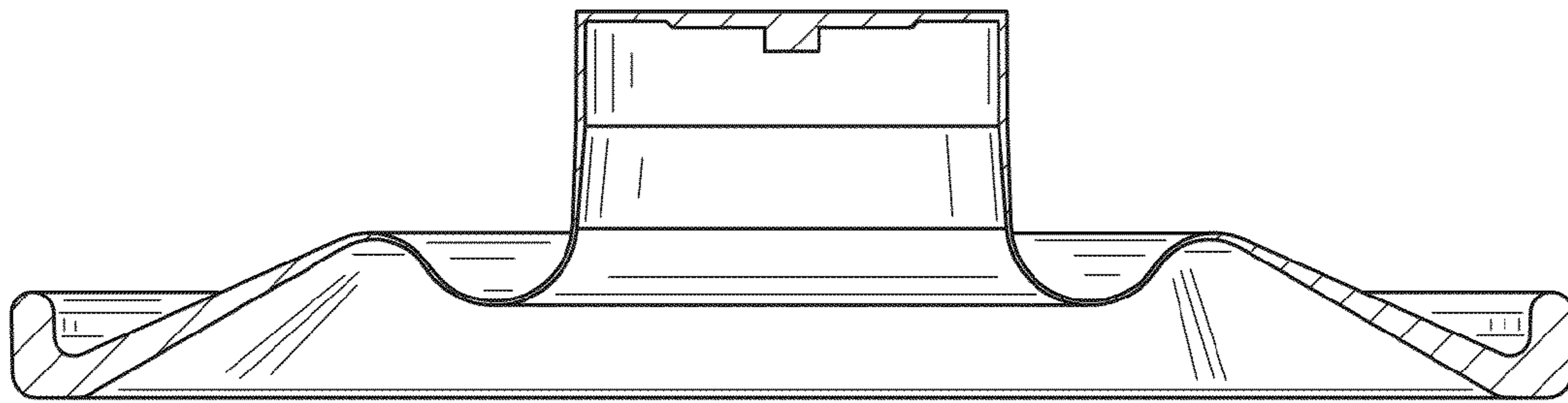


FIG.5