



US00D731046S

(12) **United States Design Patent**
Shondel et al.

(10) **Patent No.:** **US D731,046 S**

(45) **Date of Patent:** **** Jun. 2, 2015**

(54) **THERAPEUTIC DISPENSER**

(71) Applicants: **James W. Shondel**, Chicago, IL (US);
Carl R. Jacobs, Kinnelon, NJ (US);
Patricia Andress, Colorado Springs, CO (US)

(72) Inventors: **James W. Shondel**, Chicago, IL (US);
Carl R. Jacobs, Kinnelon, NJ (US);
Patricia Andress, Colorado Springs, CO (US)

(**) Term: **14 Years**

(21) Appl. No.: **29/455,831**

(22) Filed: **May 24, 2013**

(51) **LOC (10) Cl.** **28-99**

(52) **U.S. Cl.**

USPC **D23/366**

(58) **Field of Classification Search**

USPC D23/355-369; D28/5, 6; 261/DIG. 17, 261/DIG. 42, DIG. 65, DIG. 88, DIG. 89; 392/386, 390, 394, 395; 239/34, 44, 239/53, 55, 56, 326; D26/14, 17, 98, 9, 22, D26/24; D11/131.1; D7/509, 522, 524, 537
See application file for complete search history.

(56) **References Cited**

U.S. PATENT DOCUMENTS

D249,240 S *	9/1978	Klitzner	D9/414
D343,790 S *	2/1994	Mermelstein	D9/430
D349,117 S *	7/1994	Rasansky et al.	D14/218
D359,587 S *	6/1995	Ross	D30/101
D373,528 S *	9/1996	Ser Tuen Wei	D9/431
D380,538 S *	7/1997	Muller et al.	D23/367
D383,864 S *	9/1997	Billings	D26/51
D392,185 S *	3/1998	Husted	D9/418
D423,342 S *	4/2000	Popesco	D9/636

D482,109 S *	11/2003	Woods	D23/364
D482,111 S *	11/2003	Laferriere et al.	D23/364
D492,018 S *	6/2004	Schroder	D23/364
D515,683 S *	2/2006	LaBlaine	D23/366
D616,728 S *	6/2010	Bucci	D8/354
D631,729 S *	2/2011	Bucci	D8/354
D635,010 S *	3/2011	Bucci	D8/354
D649,435 S *	11/2011	Bucci	D8/354
D652,709 S *	1/2012	Bucci	D8/354
D660,685 S *	5/2012	Bucci	D8/354

* cited by examiner

Primary Examiner — Sandra Snapp

(74) *Attorney, Agent, or Firm* — McAndrews, Held & Malloy, Ltd.

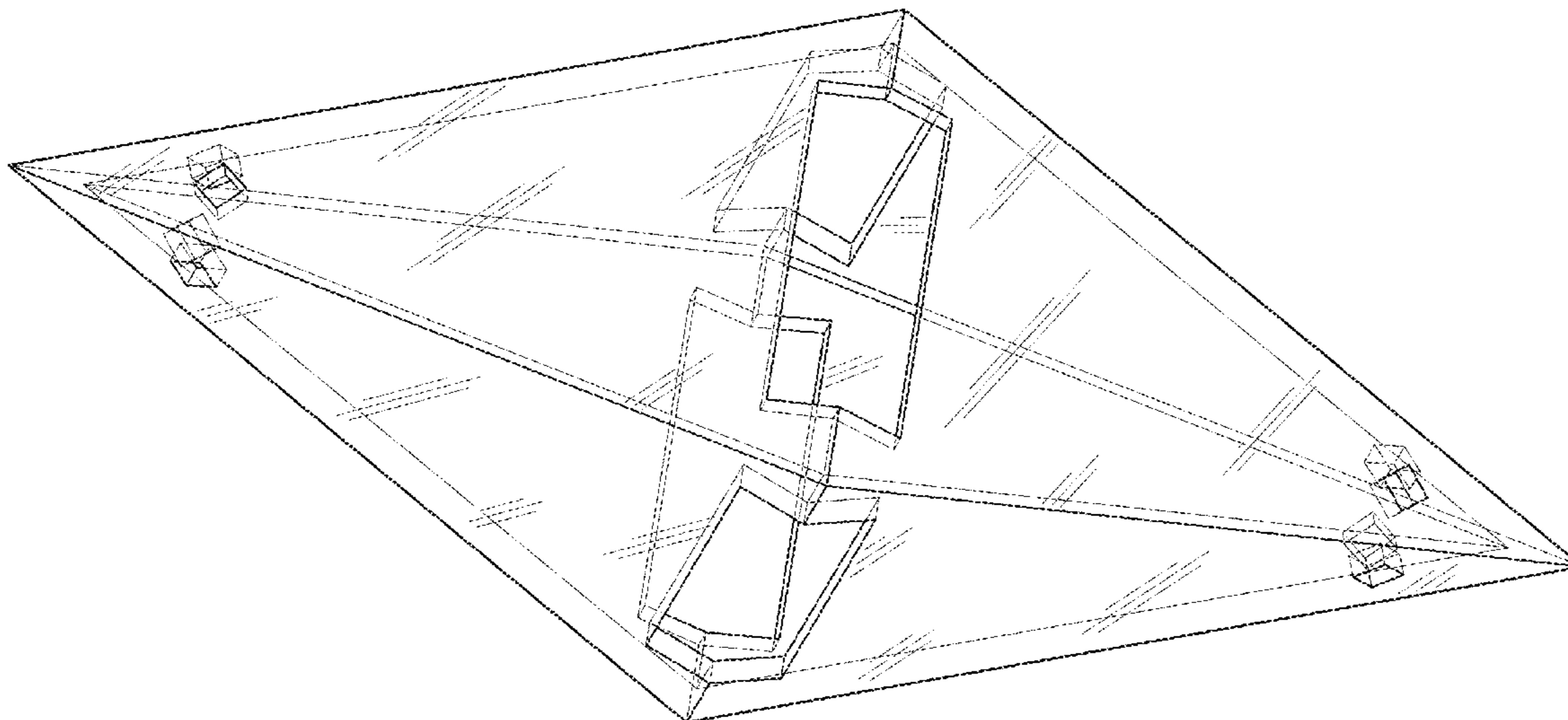
(57) **CLAIM**

The ornamental design for a therapeutic dispenser, as shown and described.

DESCRIPTION

FIG. 1 is a side perspective view of a therapeutic dispenser according to a first embodiment;
FIG. 2 is bottom perspective view thereof;
FIG. 3 is a top view thereof;
FIG. 4 is a bottom view thereof; and
FIG. 5 is a side view thereof.
FIG. 6 is a side perspective view of a therapeutic dispenser according to a second embodiment:
FIG. 7 is bottom perspective view thereof;
FIG. 8 is a top view thereof;
FIG. 9 is a bottom view thereof; and
FIG. 10 is a side view thereof.
FIG. 11 illustrates a side perspective view of a therapeutic dispenser according to a third embodiment;
FIG. 12 illustrates a side view thereof; and,
FIG. 13 illustrates a bottom and top view thereof.

1 Claim, 8 Drawing Sheets



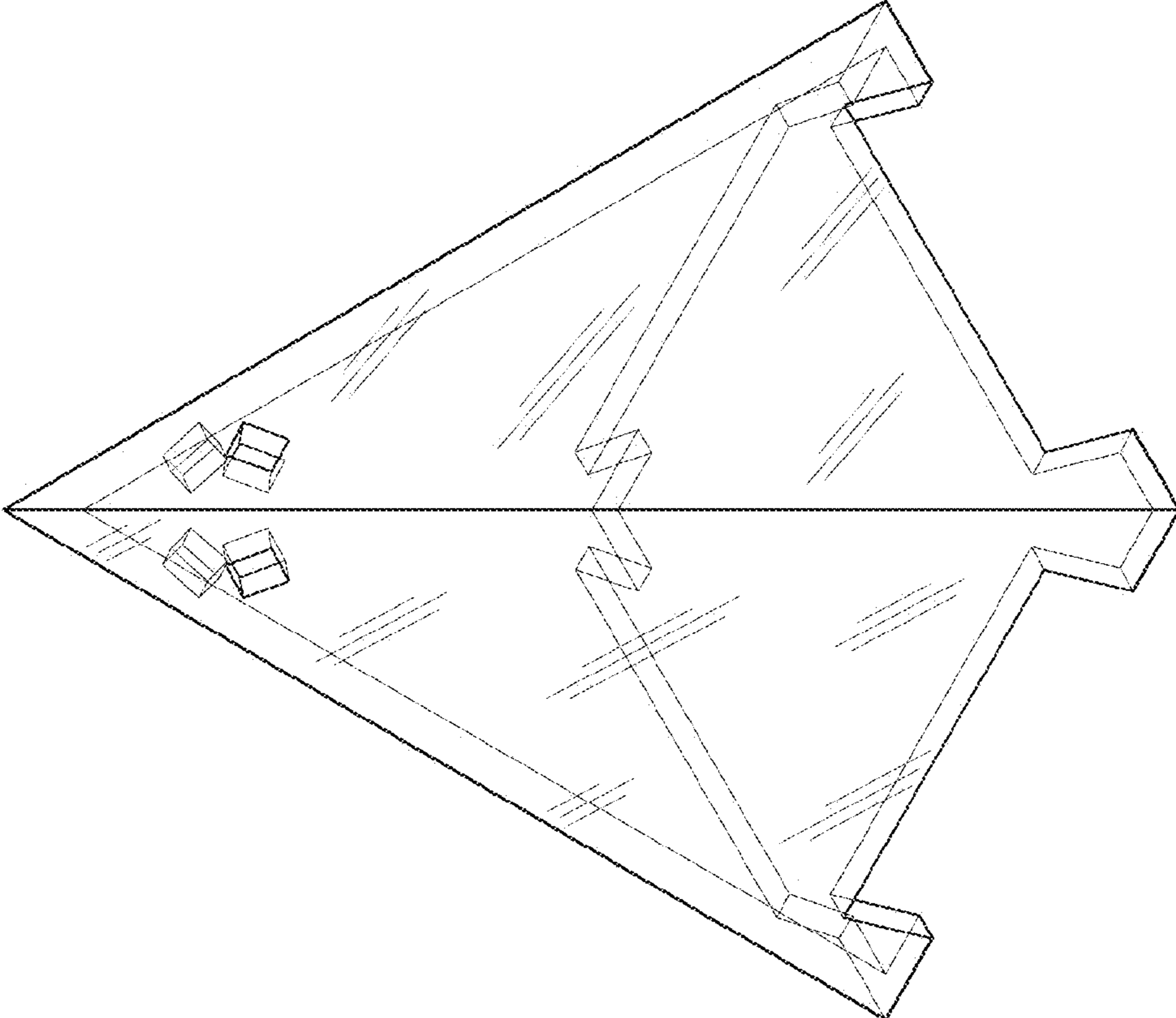


FIG. 1

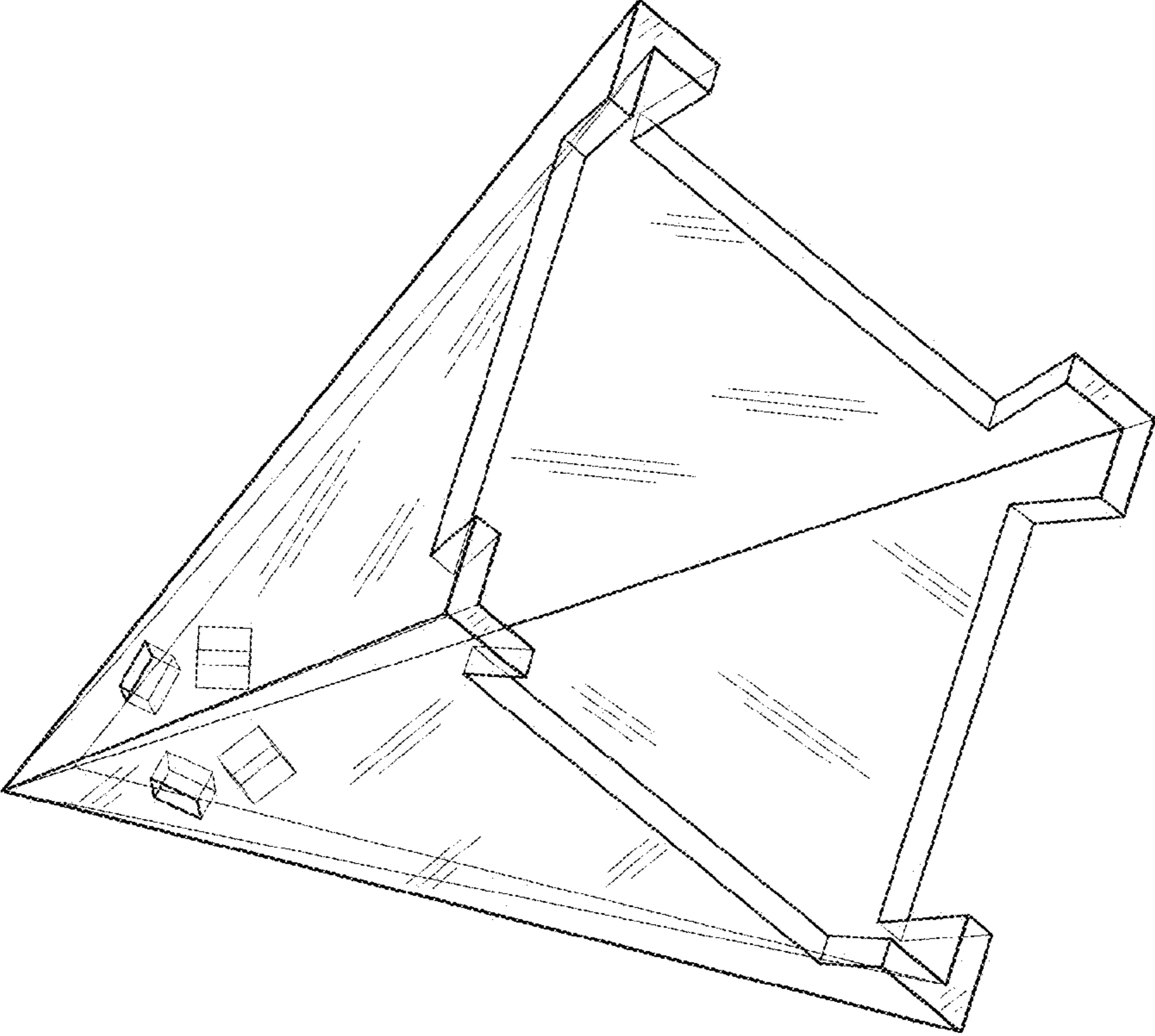


FIG. 2

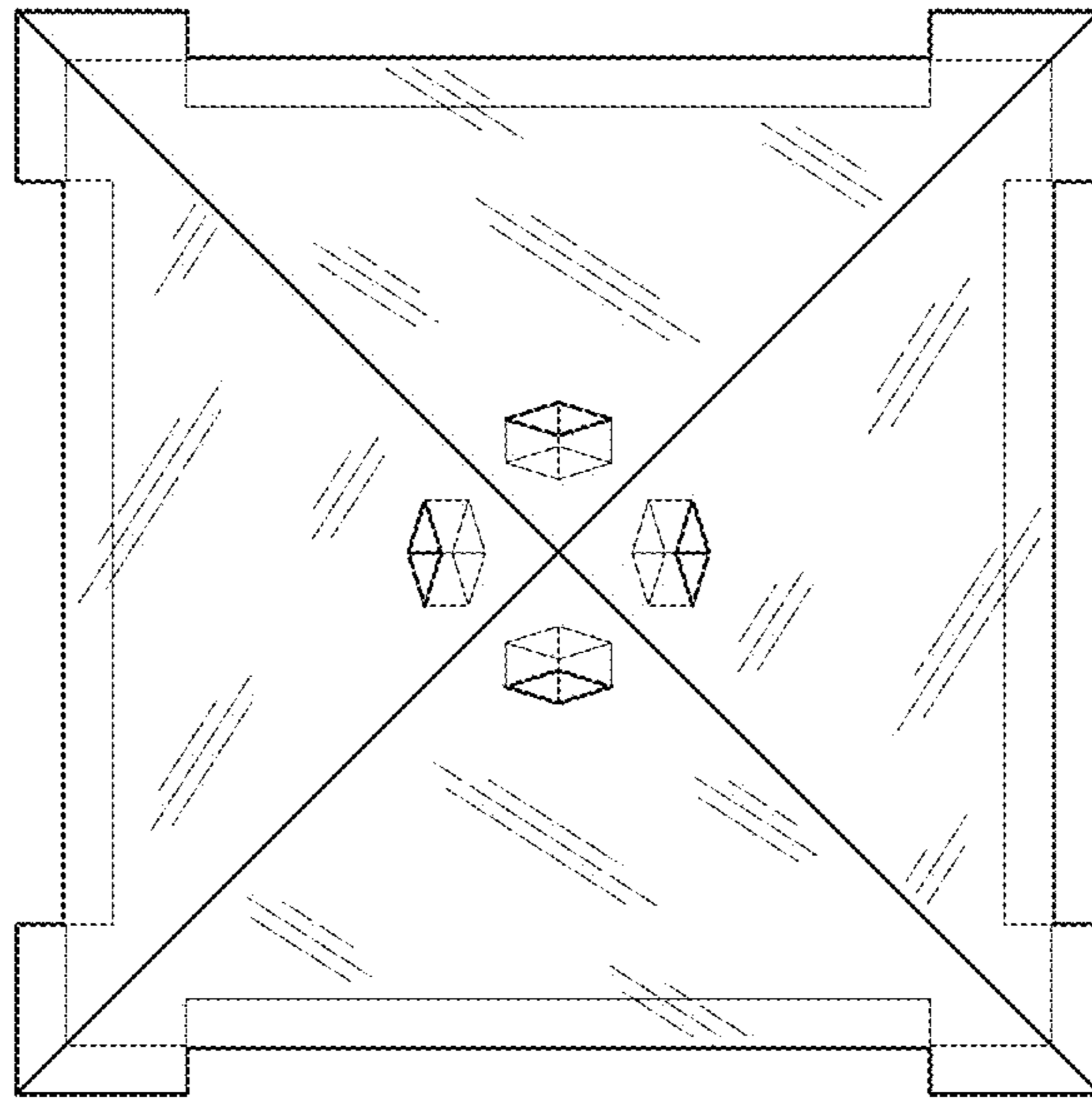


FIG. 3

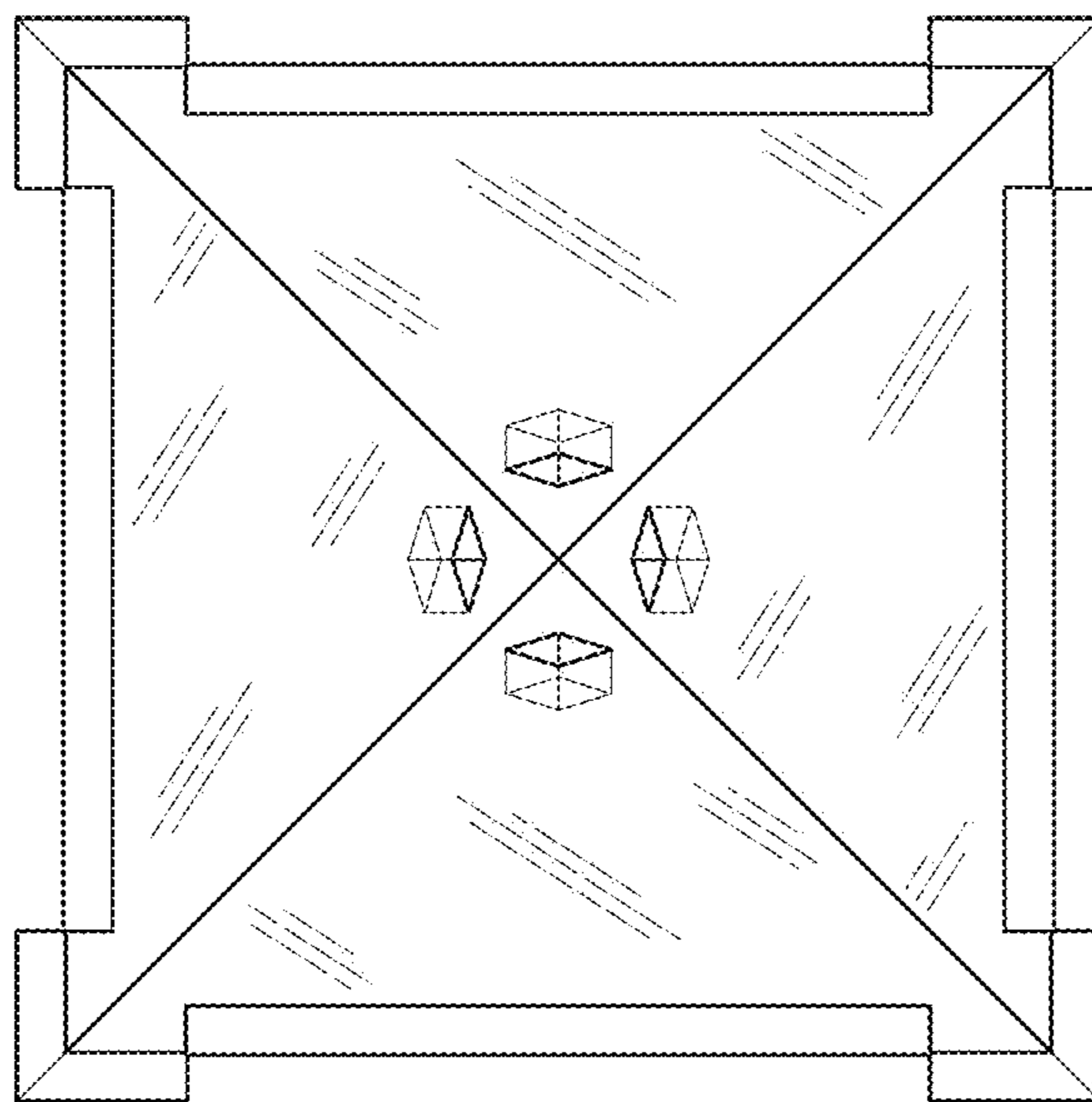


FIG. 4

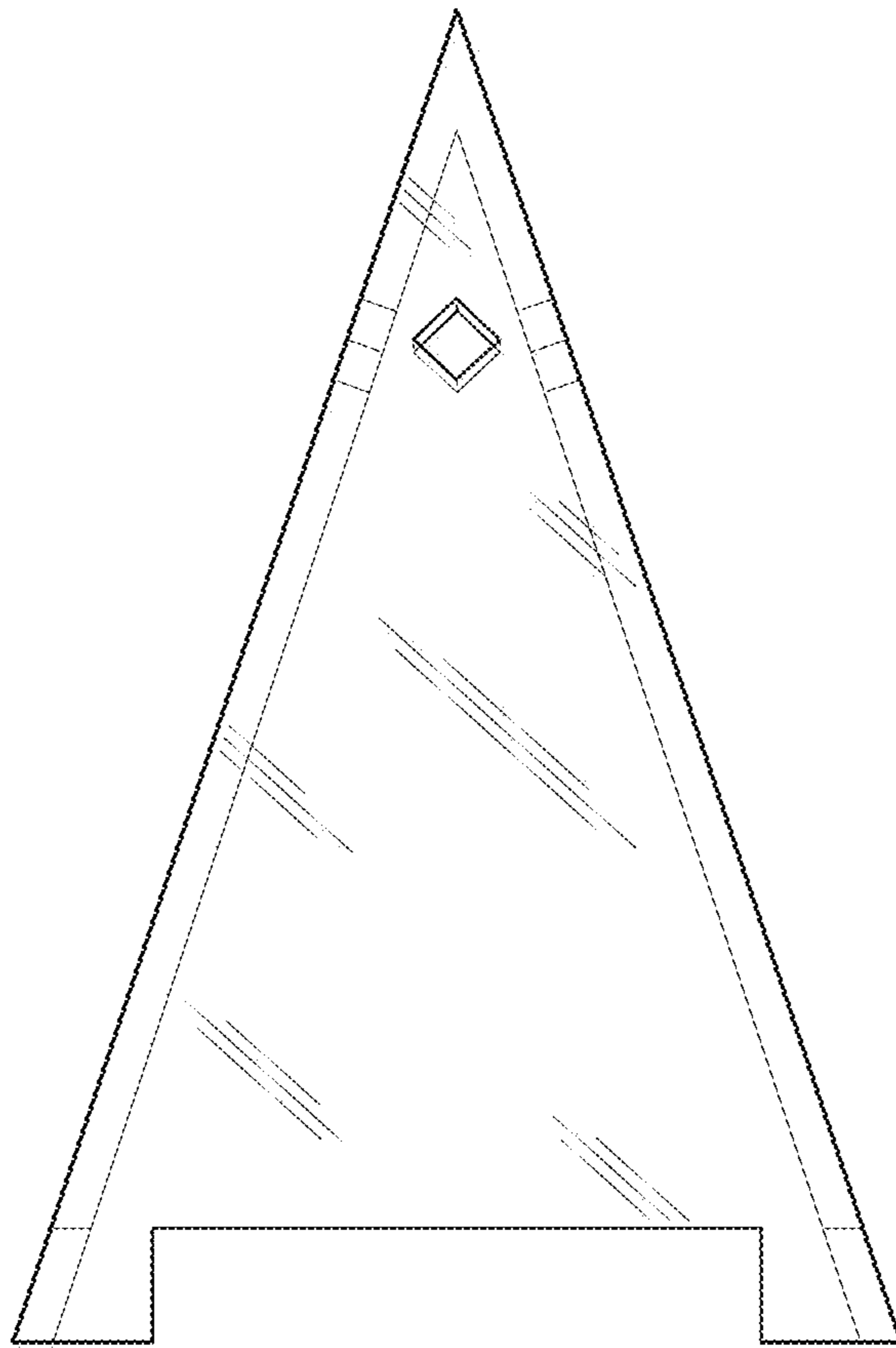


FIG. 5

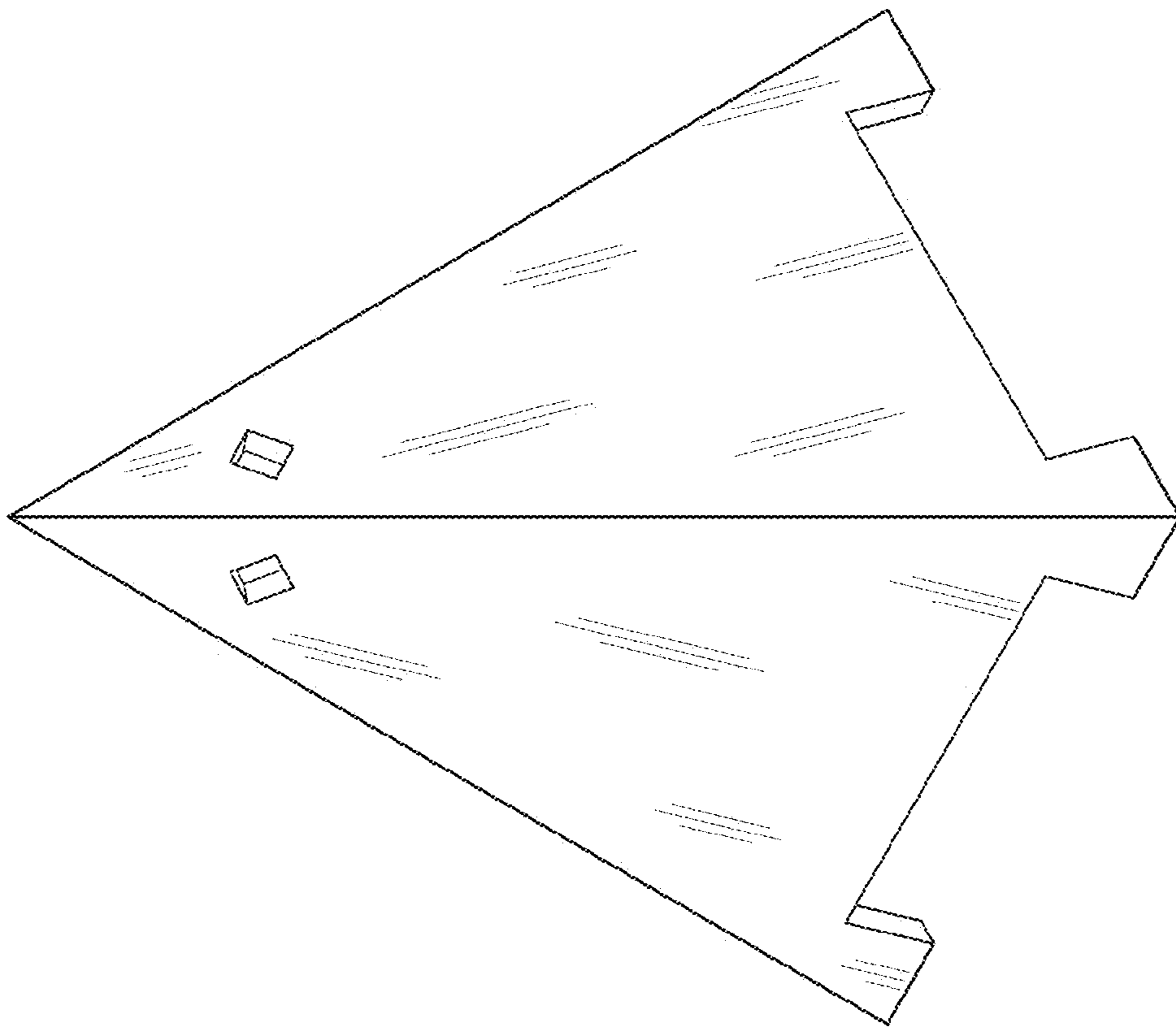


FIG. 6

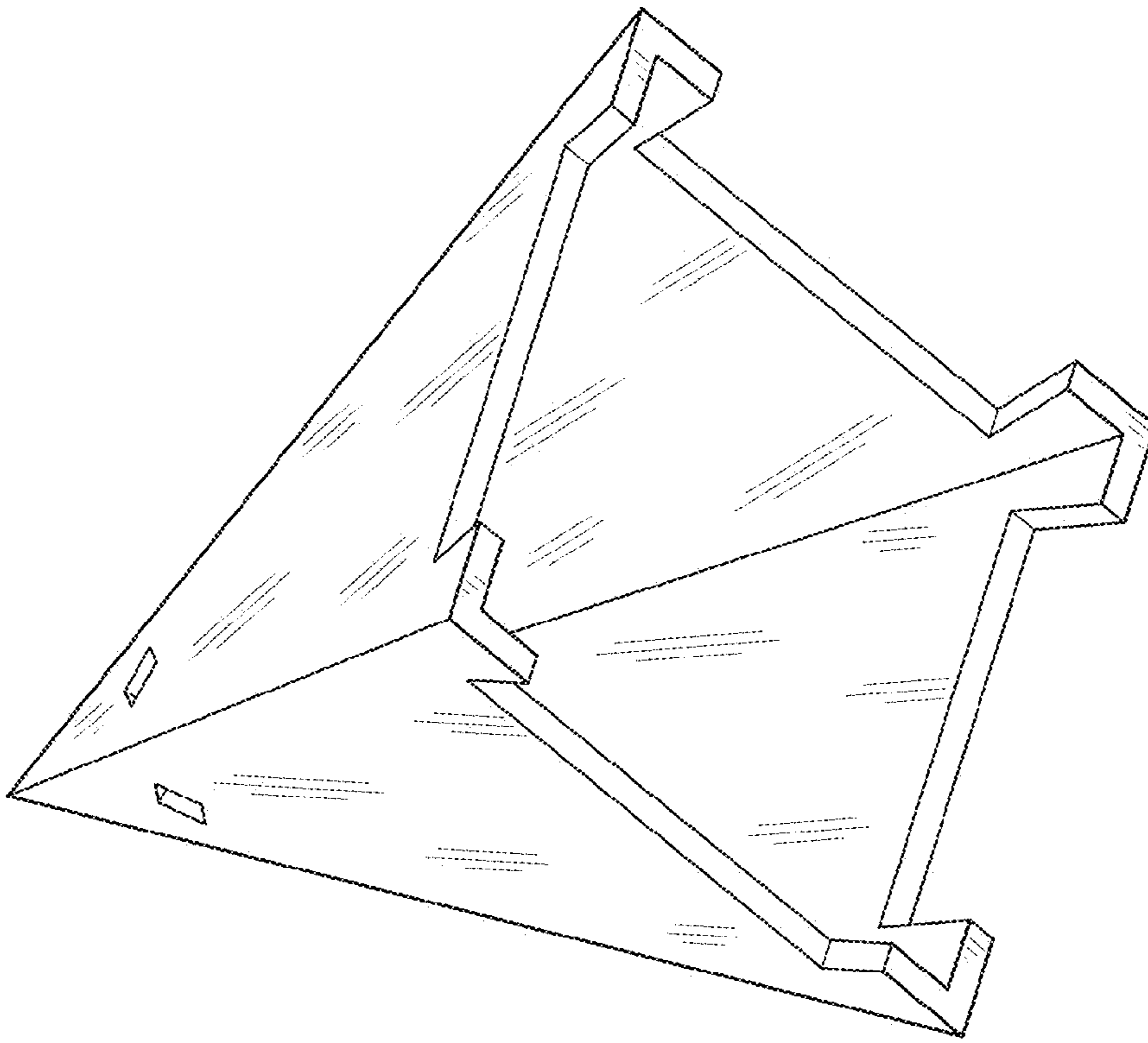


FIG. 7

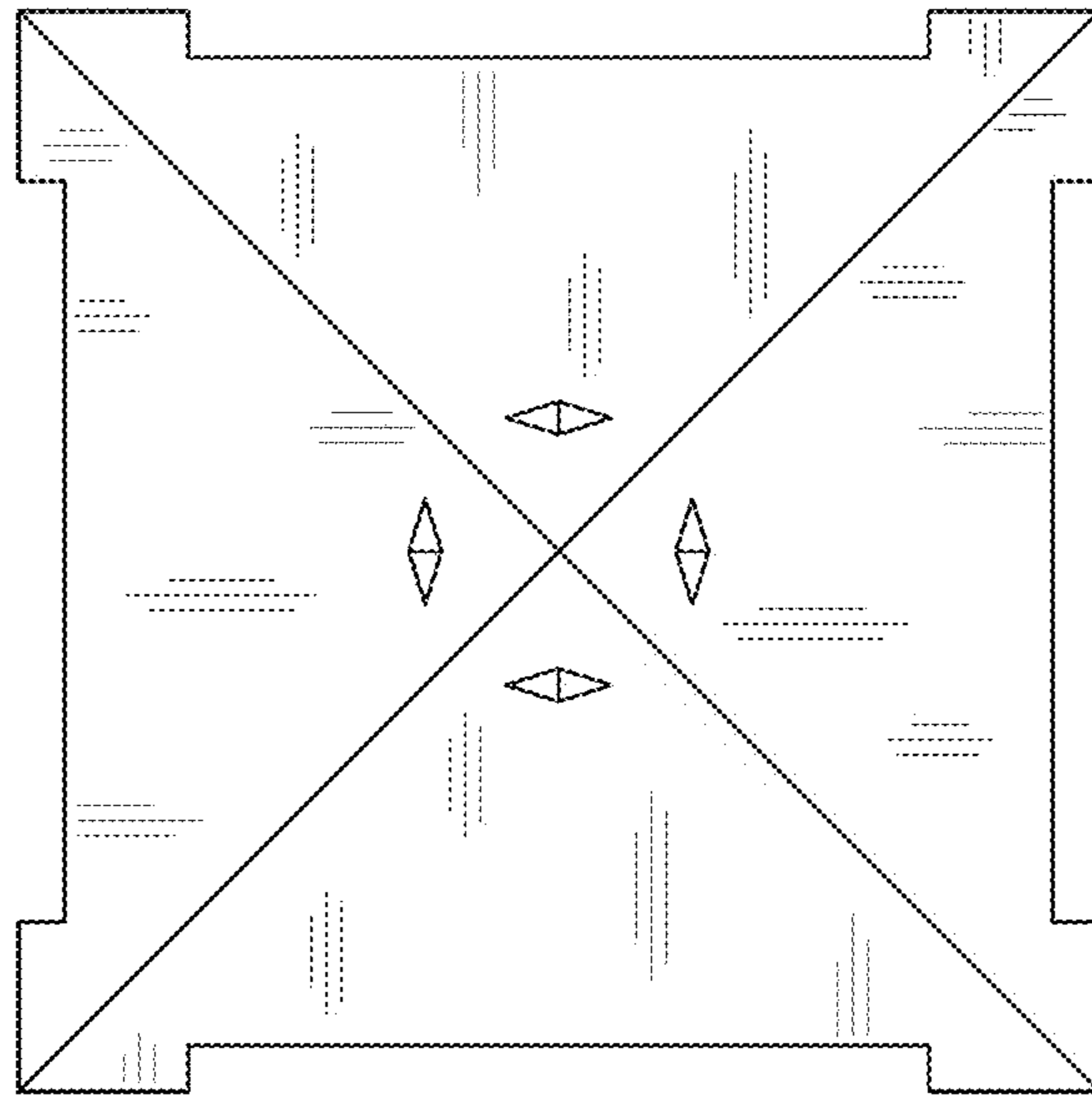


FIG. 8

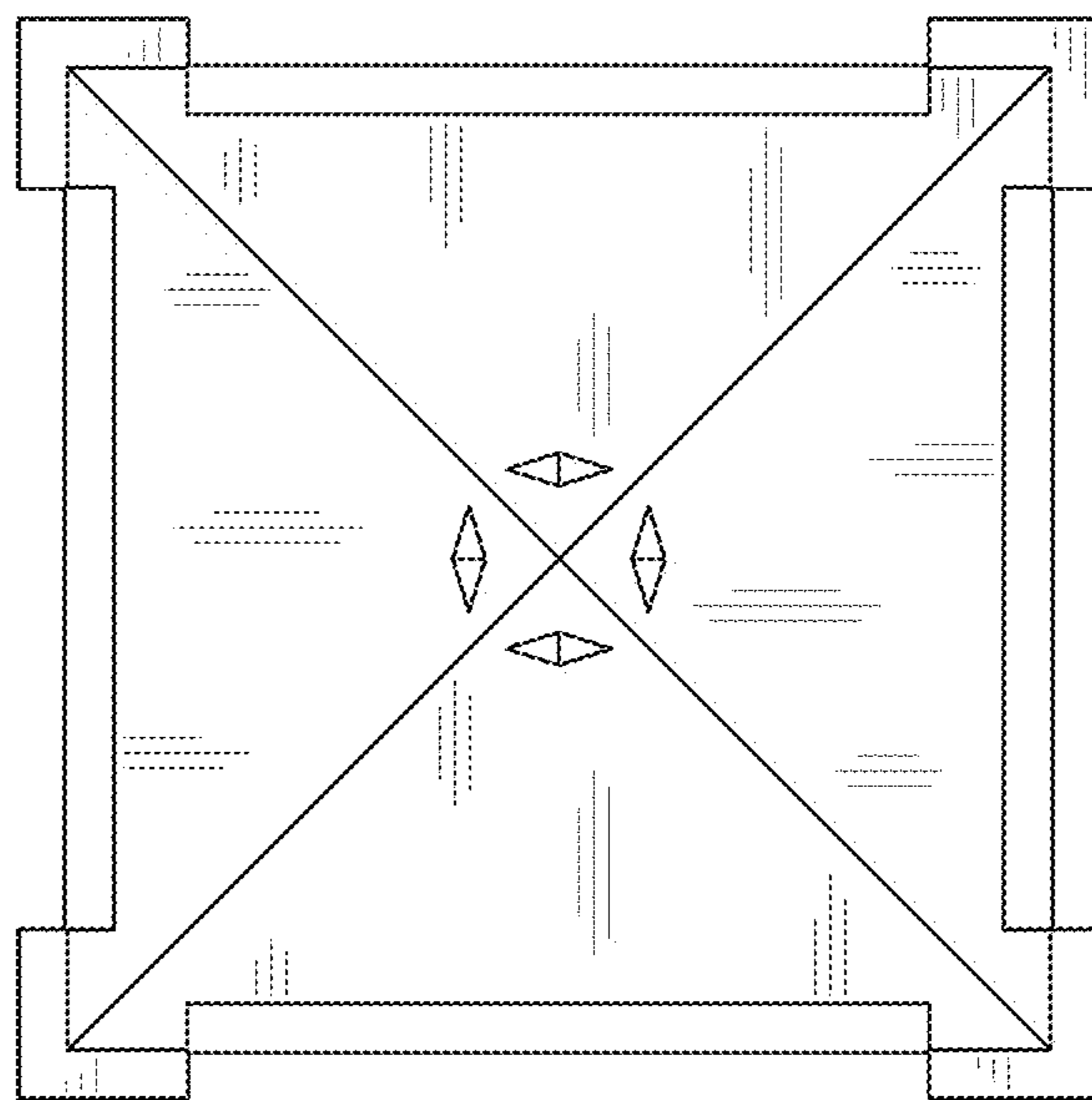


FIG. 9

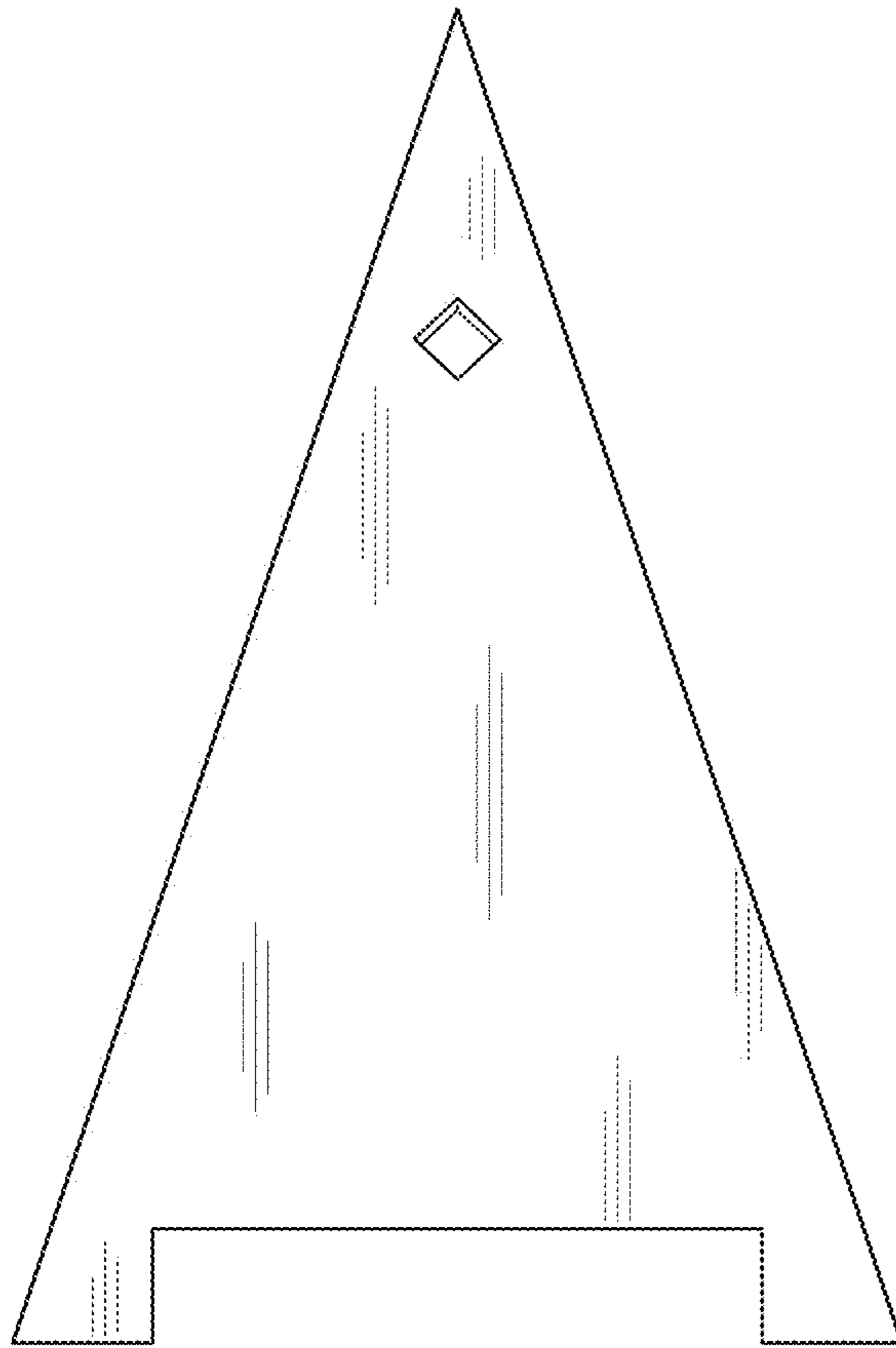


FIG. 10

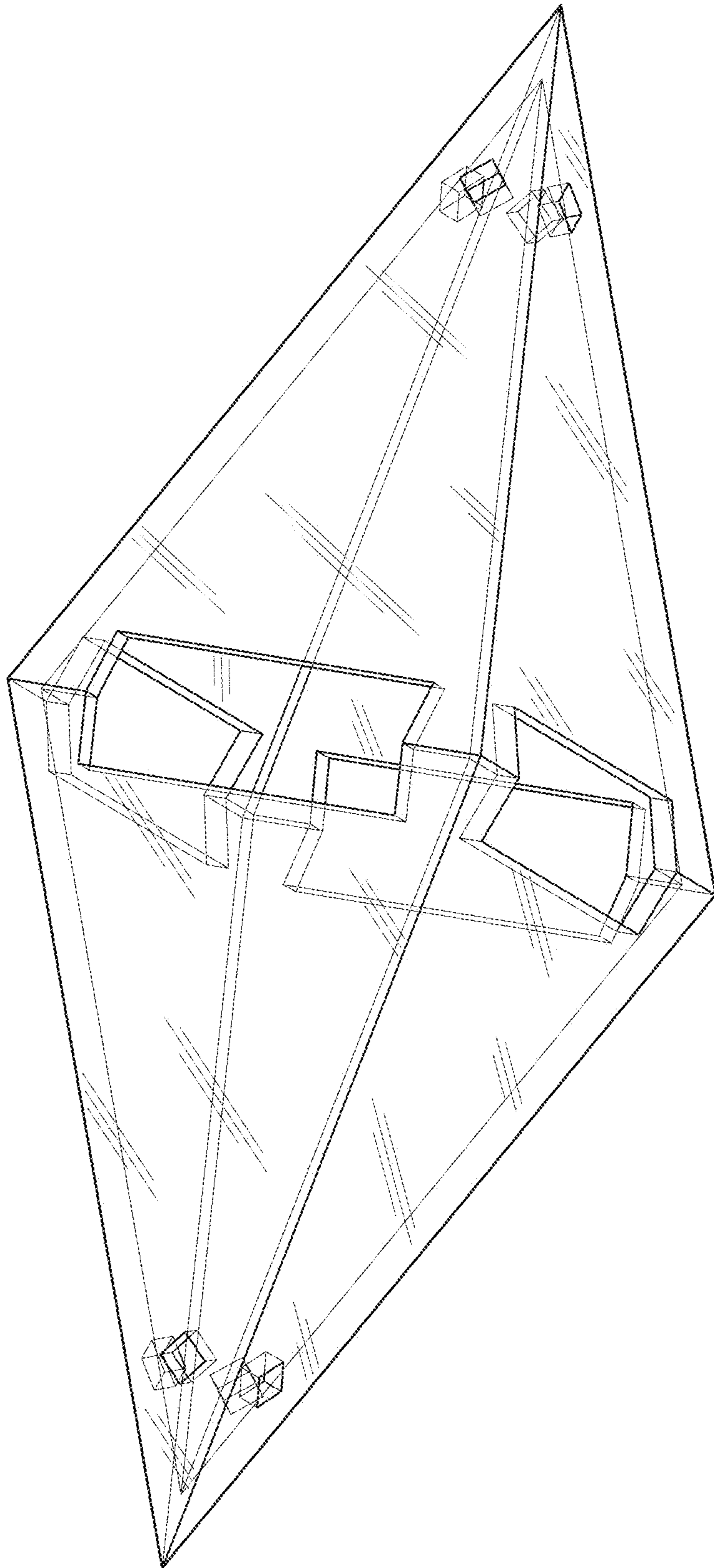


FIG. 11

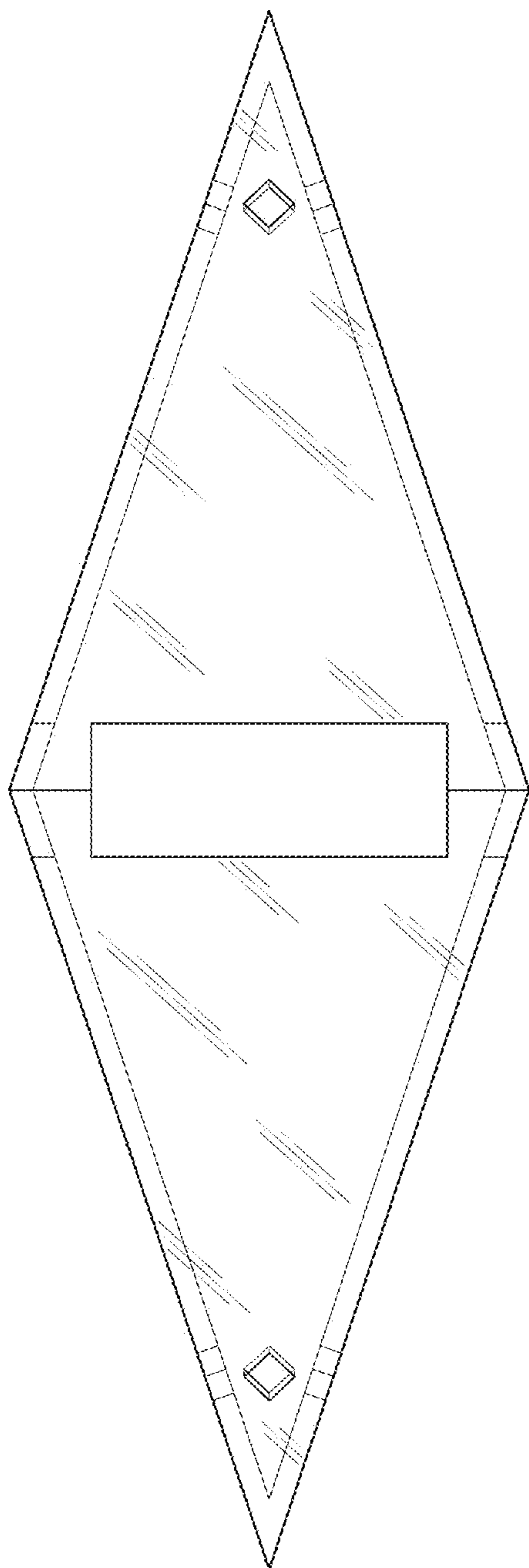


FIG. 12

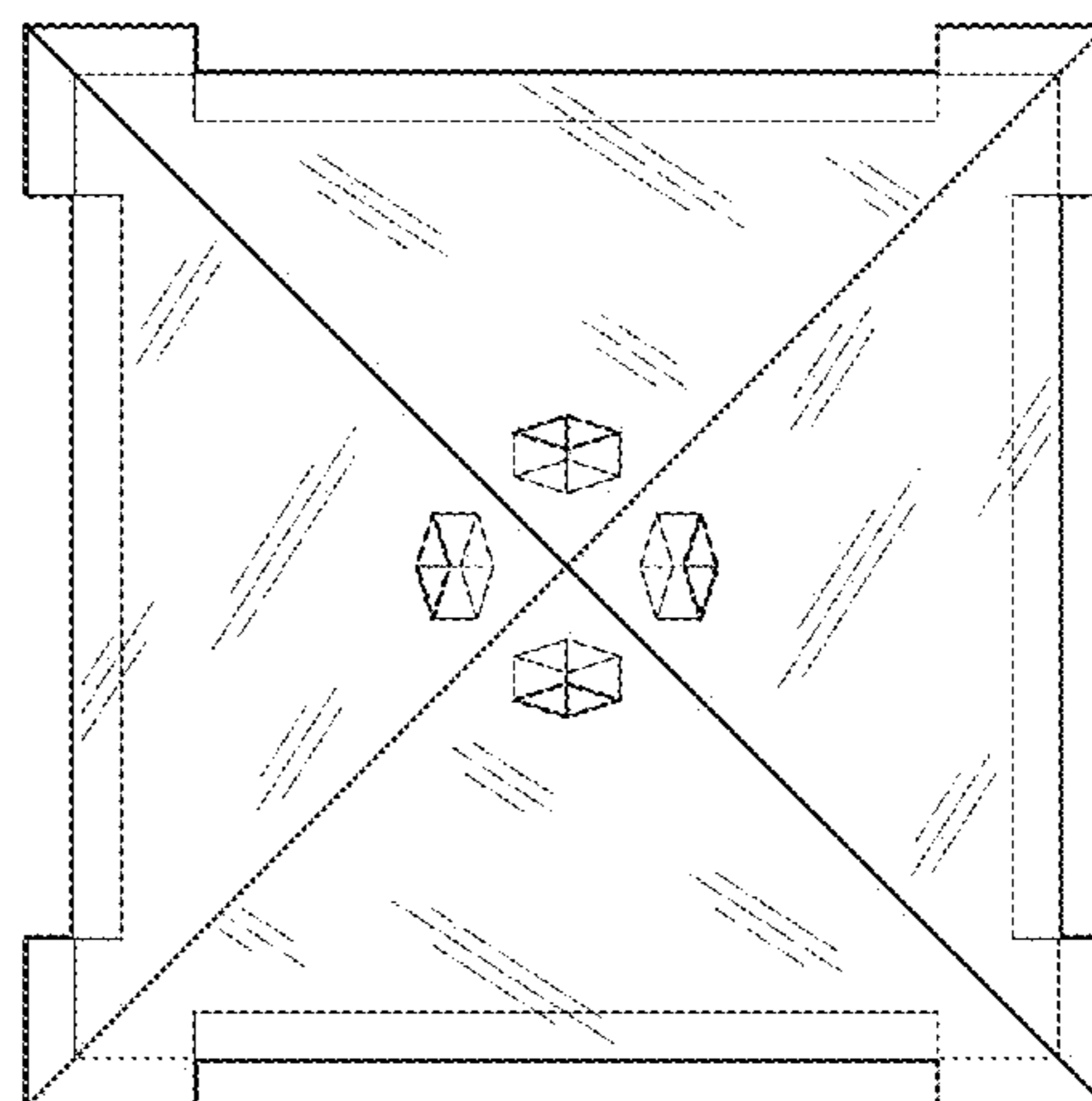


FIG. 13