



US00D731042S

(12) **United States Design Patent**  
**Fritz**

(10) **Patent No.:** **US D731,042 S**  
(45) **Date of Patent:** **\*\* Jun. 2, 2015**

(54) **SHOWER MOUNT**

(71) Applicant: **Masco Corporation of Indiana,**  
Indianapolis, IN (US)

(72) Inventor: **Seth Fritz,** Carmel, IN (US)

(73) Assignee: **DELTA FAUCET COMPANY,**  
Indianapolis, IN (US)

(\*\*) Term: **14 Years**

(21) Appl. No.: **29/484,923**

(22) Filed: **Mar. 14, 2014**

(51) **LOC (10) Cl.** ..... **23-02**

(52) **U.S. Cl.**  
USPC ..... **D23/304**

(58) **Field of Classification Search**  
USPC ..... D23/213, 303, 304; 4/612-614, 570,  
4/550, 567  
CPC ..... B05B 15/06  
See application file for complete search history.

(56) **References Cited**

U.S. PATENT DOCUMENTS

D403,754 S \* 1/1999 Gottwald ..... D23/304  
D448,069 S \* 9/2001 Wales ..... D23/304  
6,473,916 B2 \* 11/2002 Schiødt ..... 4/567  
6,611,971 B1 \* 9/2003 Antoniello et al. .... 4/570

D489,798 S \* 5/2004 Hunt ..... D23/304  
D542,393 S \* 5/2007 Haug et al. .... D23/304  
D565,711 S \* 4/2008 Giggs et al. .... D23/304  
D586,897 S \* 2/2009 Lammel et al. .... D23/304  
D587,357 S \* 2/2009 Hoernig et al. .... D23/304  
7,966,677 B2 \* 6/2011 Miller et al. .... 4/570

\* cited by examiner

*Primary Examiner* — Robin V Webster

(74) *Attorney, Agent, or Firm* — Edgar A. Zarins; Nirav D. Parikh

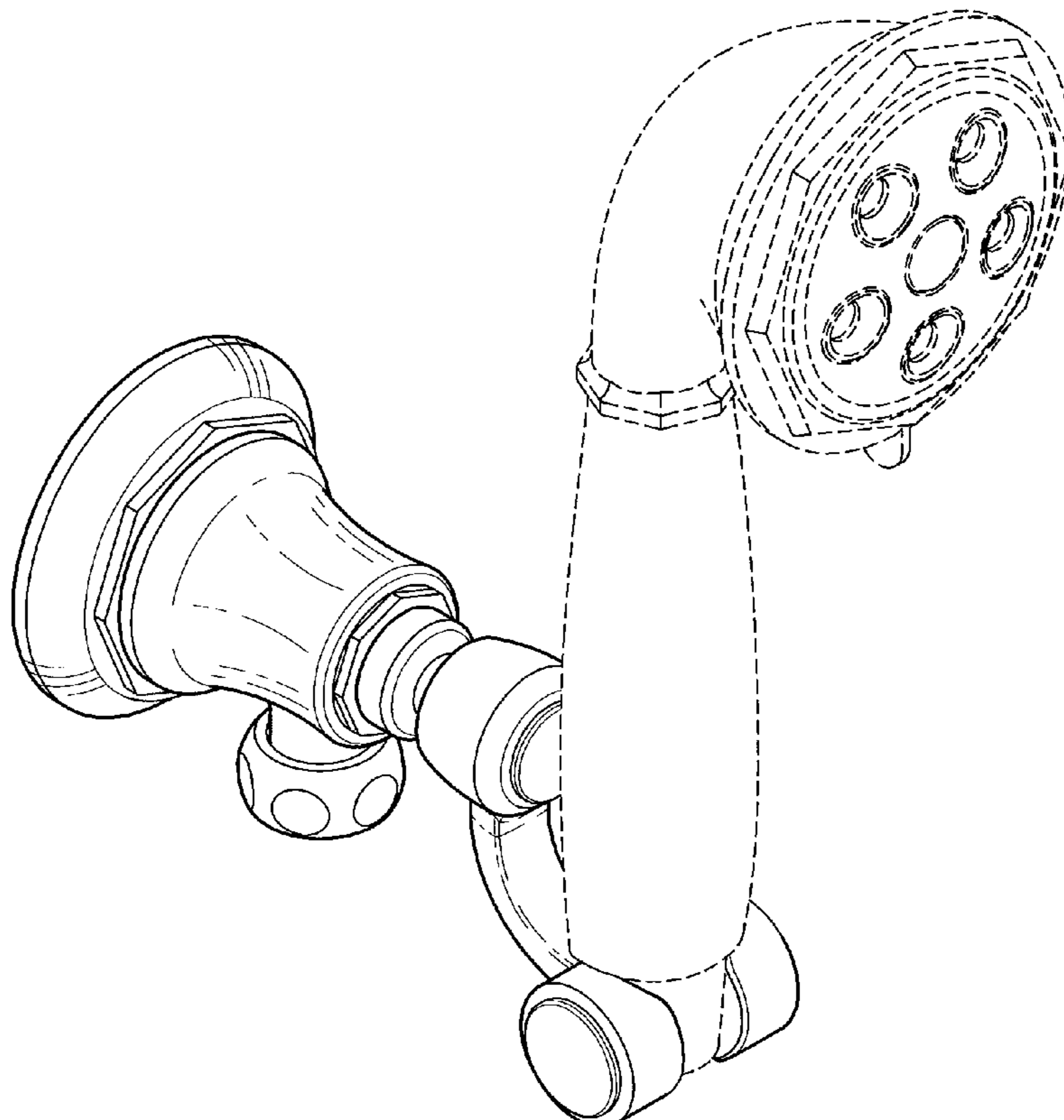
(57) **CLAIM**

The ornamental design for a shower mount, as shown and described.

**DESCRIPTION**

FIG. 1 is a perspective view of a shower mount showing my new design;  
FIG. 2 is a front elevational view thereof;  
FIG. 3 is a bottom view thereof;  
FIG. 4 is a top plan view thereof; and,  
FIG. 5 is a right side view thereof, the opposite side being a mirror image of the side shown.  
The broken line showing of a handheld shower is included for the purpose of illustrating and forms no part of the claimed design.

**1 Claim, 3 Drawing Sheets**



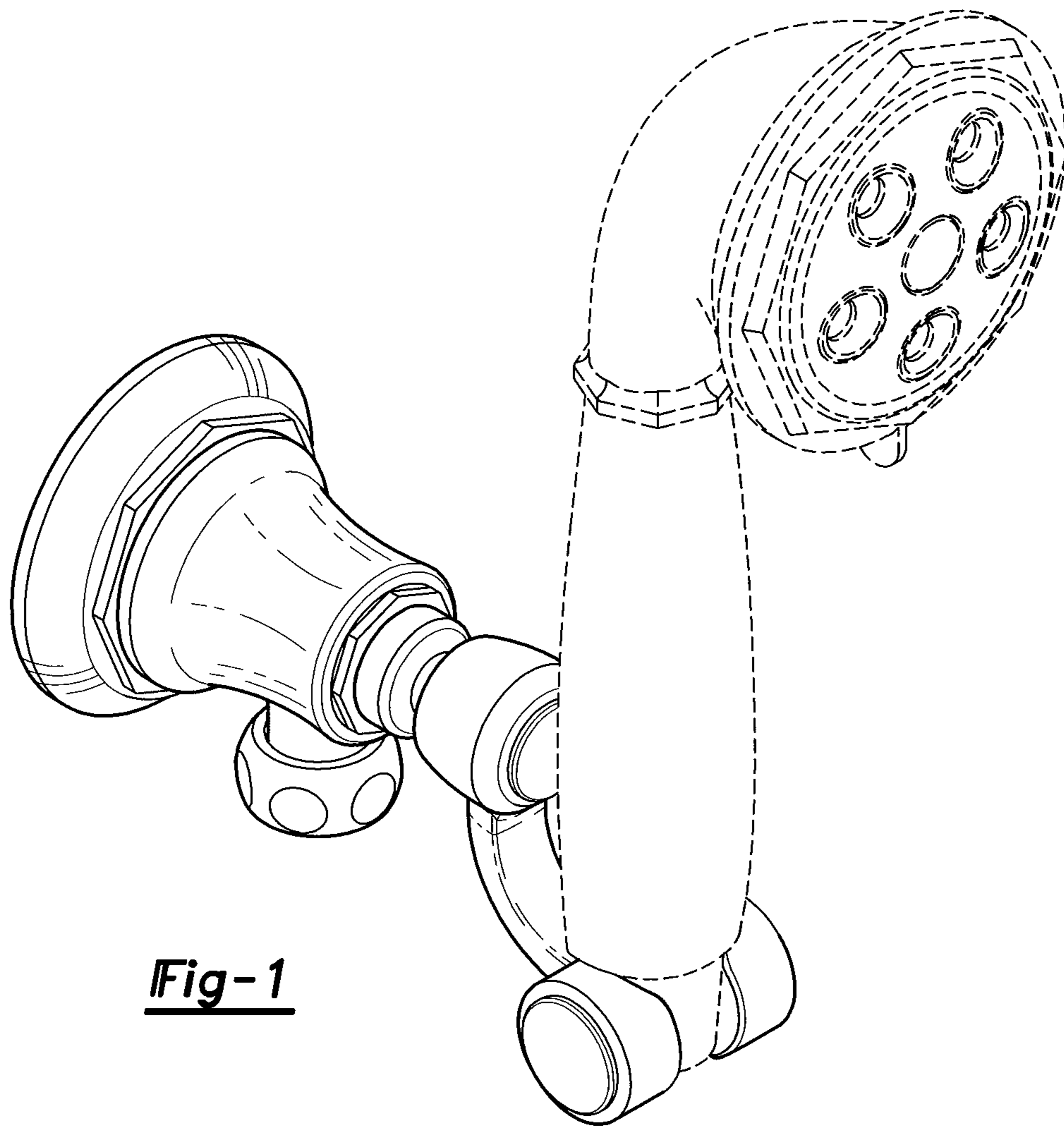


Fig-1

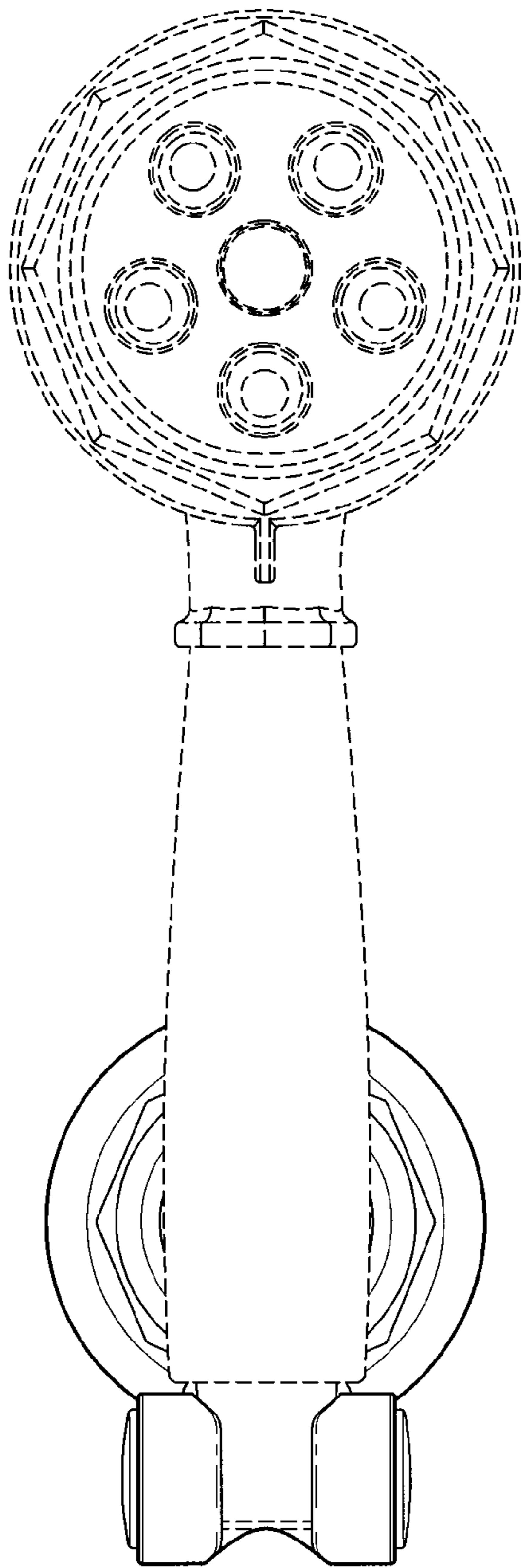


Fig-2

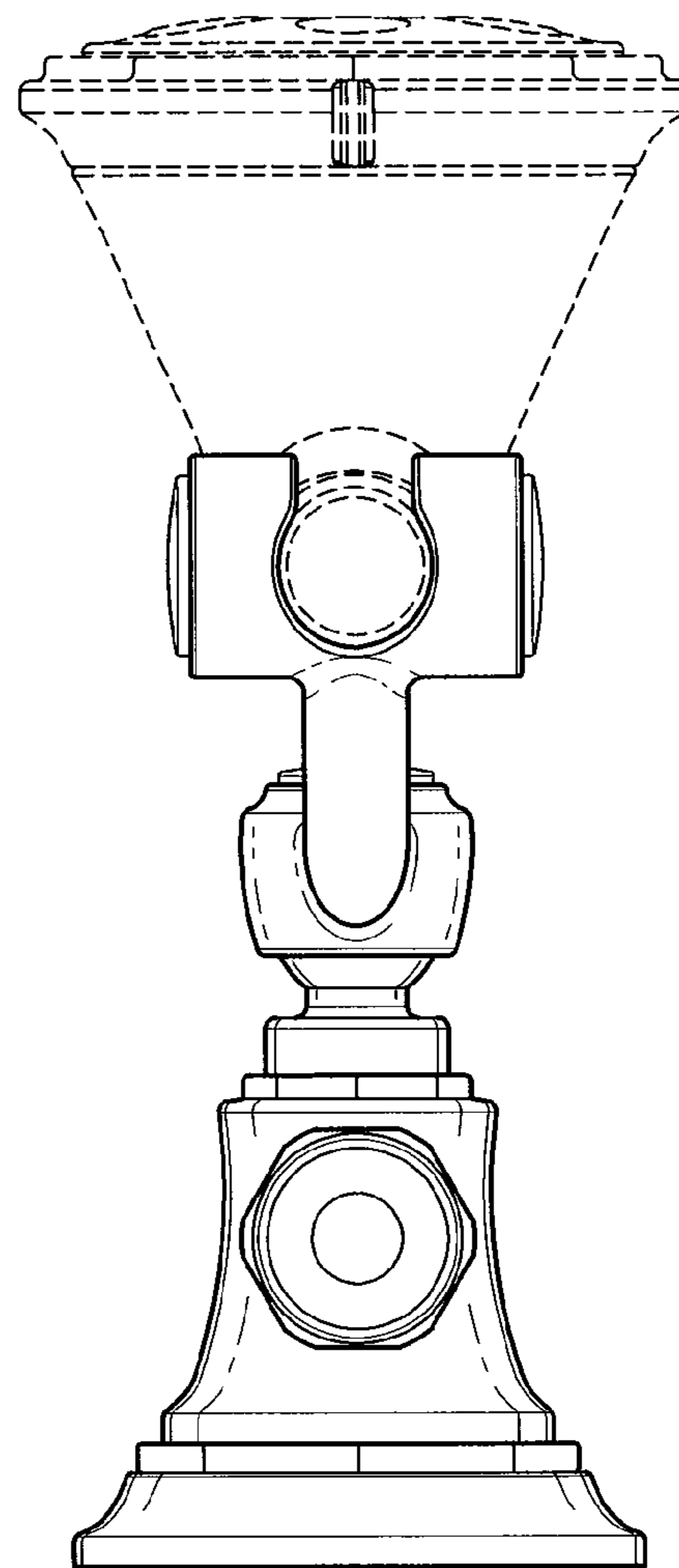


Fig-3

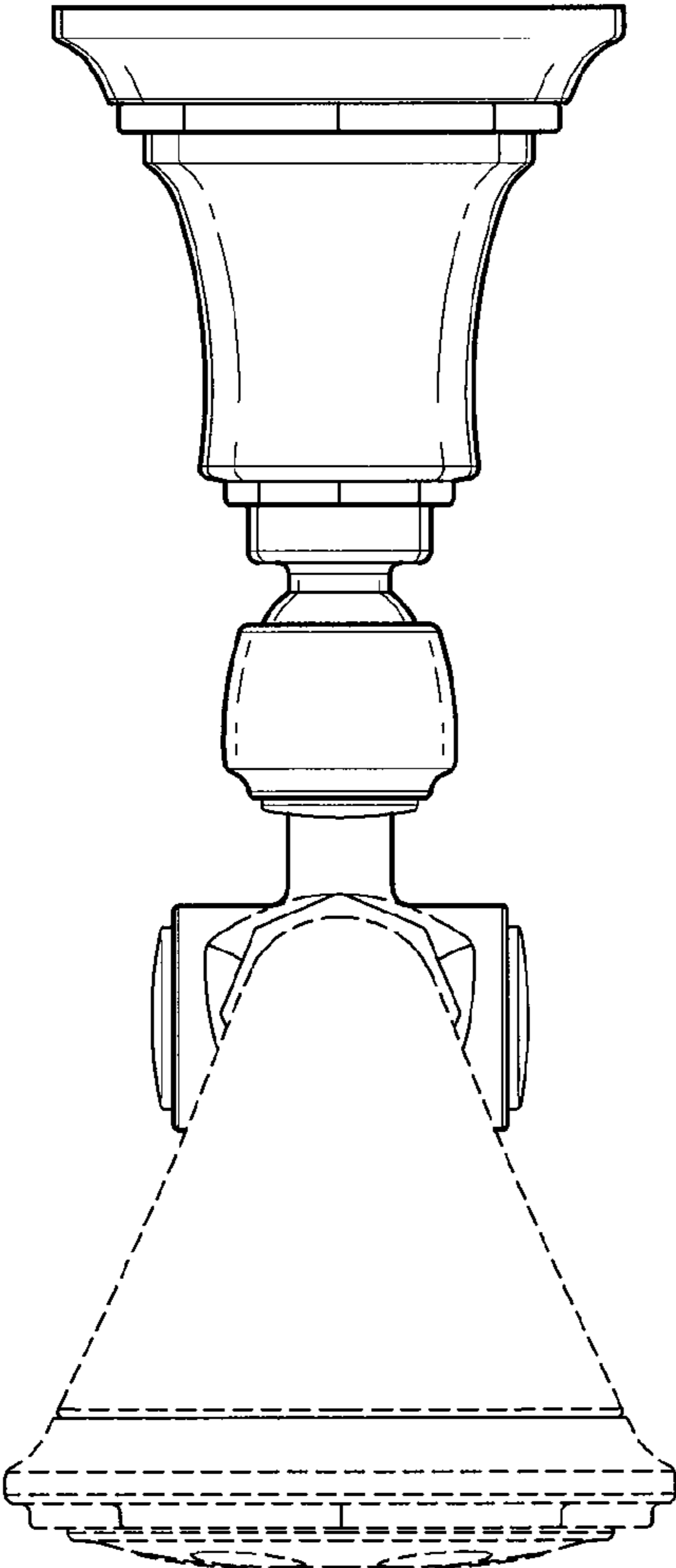


Fig-4

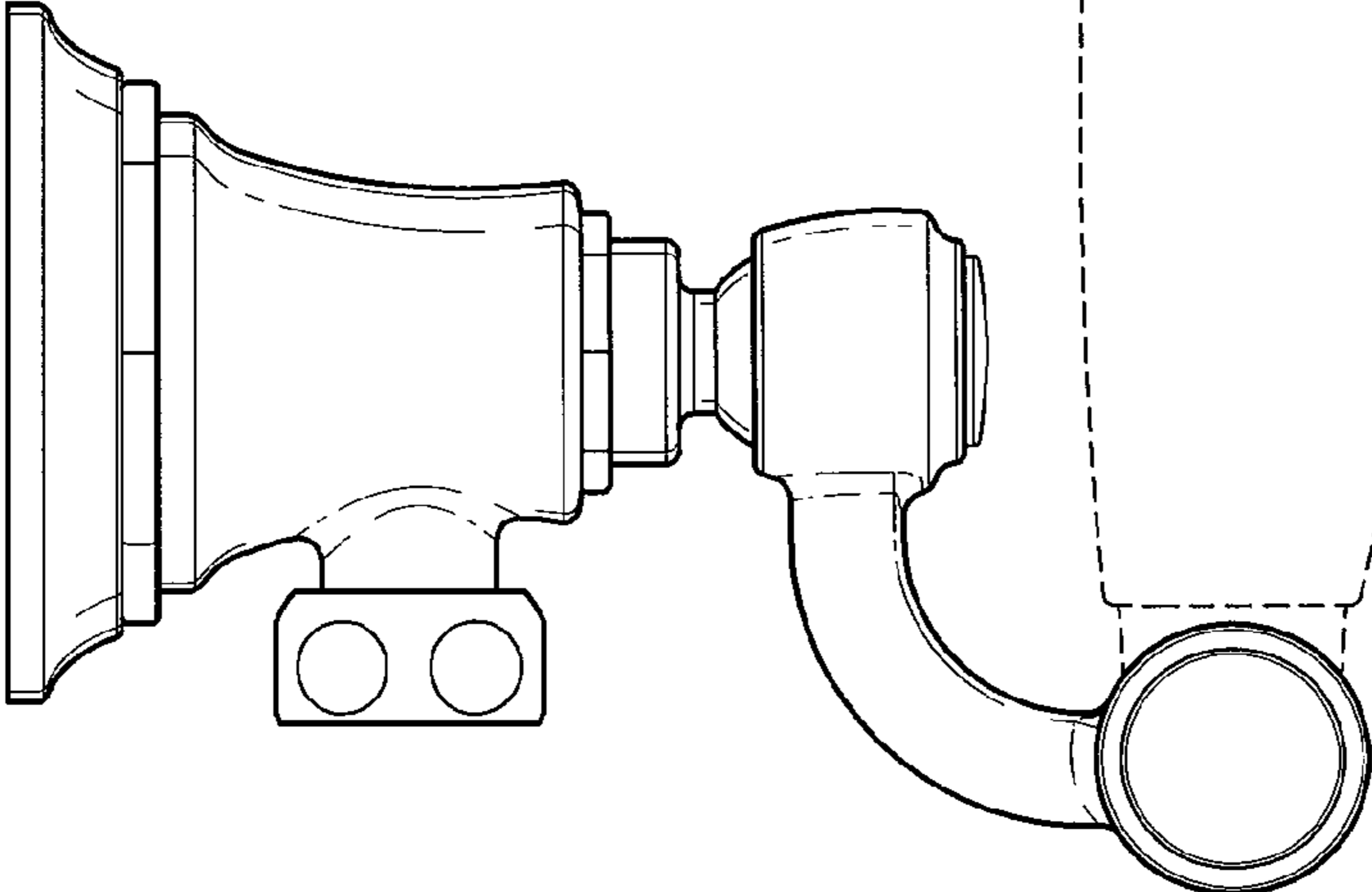


Fig-5

