



US00D731039S

(12) **United States Design Patent**
Sclafani

(10) **Patent No.:** **US D731,039 S**
(45) **Date of Patent:** **** Jun. 2, 2015**

(54) **HAIR WASHING SINK**

(71) Applicant: **Janene Sclafani**, Fort Lauderdale, FL
(US)

(72) Inventor: **Janene Sclafani**, Fort Lauderdale, FL
(US)

(**) Term: **14 Years**

(21) Appl. No.: **29/499,982**

(22) Filed: **Aug. 20, 2014**

Related U.S. Application Data

(63) Continuation-in-part of application No. 13/403,737,
filed on Feb. 23, 2012, now Pat. No. 8,839,467.

(51) **LOC (10) Cl.** **23-02**

(52) **U.S. Cl.**
USPC **D23/289**

(58) **Field of Classification Search**
USPC D23/271, 284, 289, 291.3, 303, 308;
4/515, 517, 518-523; D28/20
CPC A45D 19/14; A45D 19/10; A45D 19/04;
A45D 19/08; A45D 19/06
See application file for complete search history.

(56) **References Cited**

U.S. PATENT DOCUMENTS

906,410 A * 12/1908 Greene 4/520
4,014,054 A * 3/1977 Pasquarello 4/521

(Continued)

Primary Examiner — Robert Delehanty

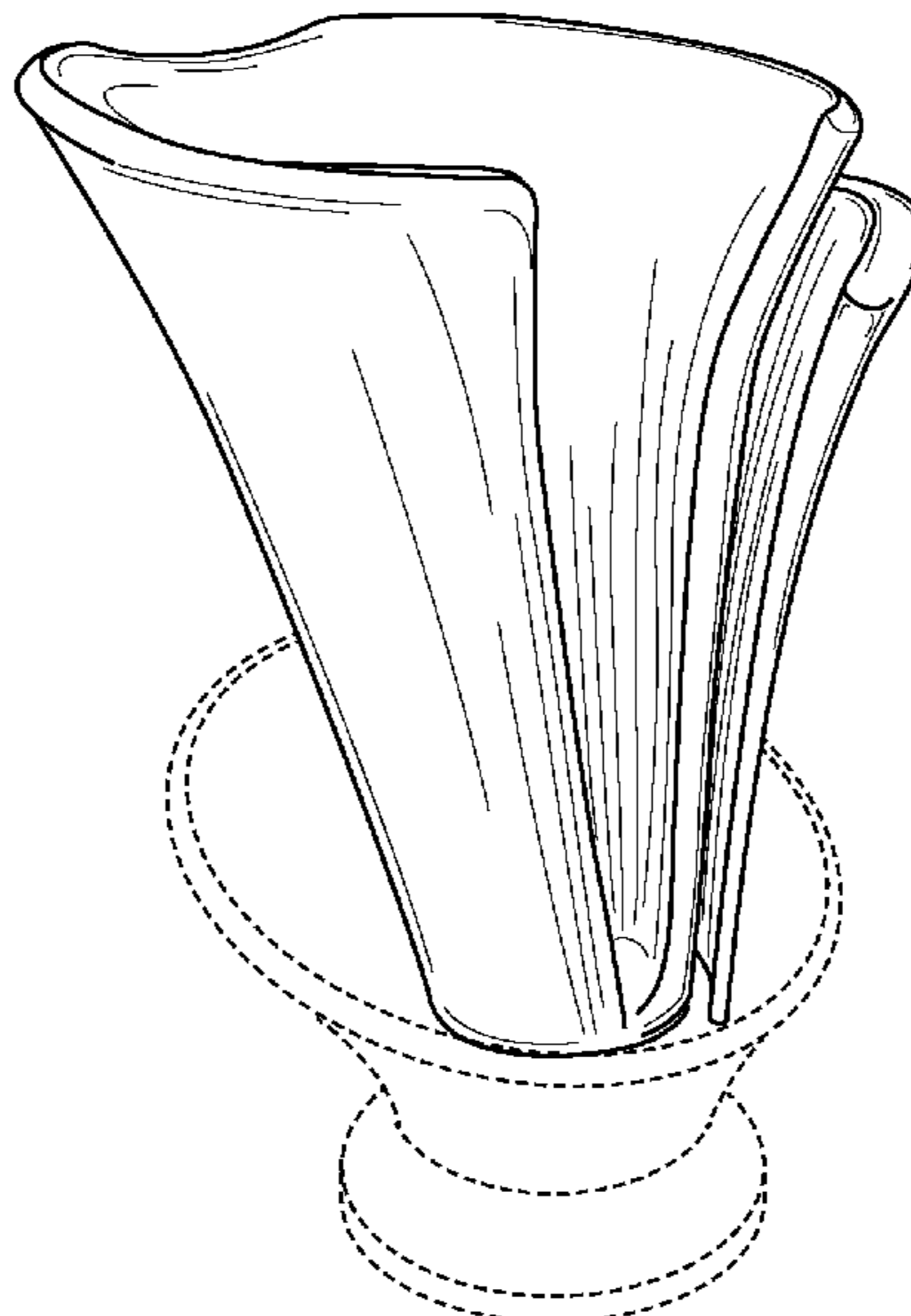
(74) *Attorney, Agent, or Firm* — The Concept Law Group,
P.A.; Scott D. Smiley; Yongae Jun

(57) **CLAIM**
The ornamental design for a hair washing sink, as shown and
described.

DESCRIPTION

FIG. 1 is a perspective downward-looking view of a hair
washing sink with a door, illustrating the door in an open
configuration, in accordance with the present invention;
FIG. 2 is a perspective downward-looking view of the hair
washing sink of FIG. 1, illustrating the door in a closed
configuration;
FIG. 3 is an elevational front view of the hair washing sink of
FIG. 1, illustrating the door in an open configuration
FIG. 4 is an elevational front view of the hair washing sink of
FIG. 1, illustrating the door in a closed configuration;
FIG. 5 is an elevational rear view of the hair washing sink of
FIG. 1, illustrating the door in an open configuration;
FIG. 6 is an elevational rear view of the hair washing sink of
FIG. 1, illustrating the door in a closed configuration;
FIG. 7 is an elevational left-side view of the hair washing sink
of FIG. 1, illustrating the door in an open configuration;
FIG. 8 is an elevational left-side view of the hair washing sink
of FIG. 1, illustrating the door in a closed configuration;
FIG. 9 is an elevational right-side view of the hair washing
sink of FIG. 1, illustrating the door in an open configuration;
FIG. 10 is an elevational right-side view of the hair washing
sink of FIG. 1, illustrating the door in a closed configuration;
FIG. 11 is a top view of the hair washing sink of FIG. 1,
illustrating the door in an open configuration;
FIG. 12 is a top view of the hair washing sink of FIG. 1,
illustrating the door in a closed configuration
FIG. 13 is a bottom view of the hair washing sink of FIG. 1,
illustrating the door in an open configuration; and,
FIG. 14 is a bottom view of the hair washing sink of FIG. 1,
illustrating the door in a closed configuration.
The broken line showing a base on which the sink may rest
depicts environment only and forms no part of the claimed
design.

1 Claim, 4 Drawing Sheets



US D731,039 S

Page 2

(56)

References Cited

U.S. PATENT DOCUMENTS

			5,946,745 A *	9/1999	Magee	4/522	
			D672,918 S *	12/2012	Green	D28/20	
			8,839,467 B2 *	9/2014	Sclafani	4/514	
	D346,242 S *	4/1994	McNally			D28/20	
	5,692,251 A *	12/1997	Page			4/523	* cited by examiner

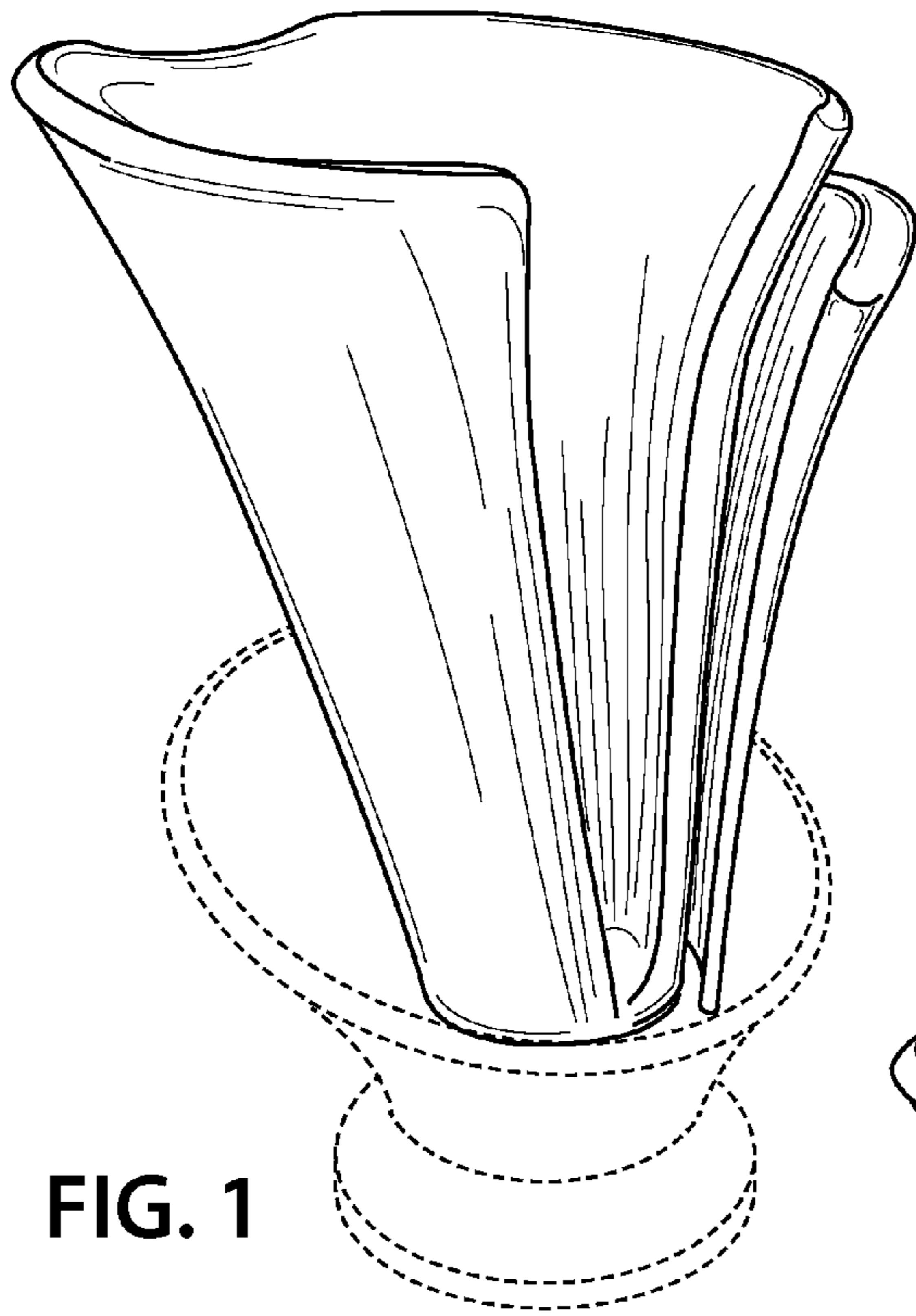


FIG. 1

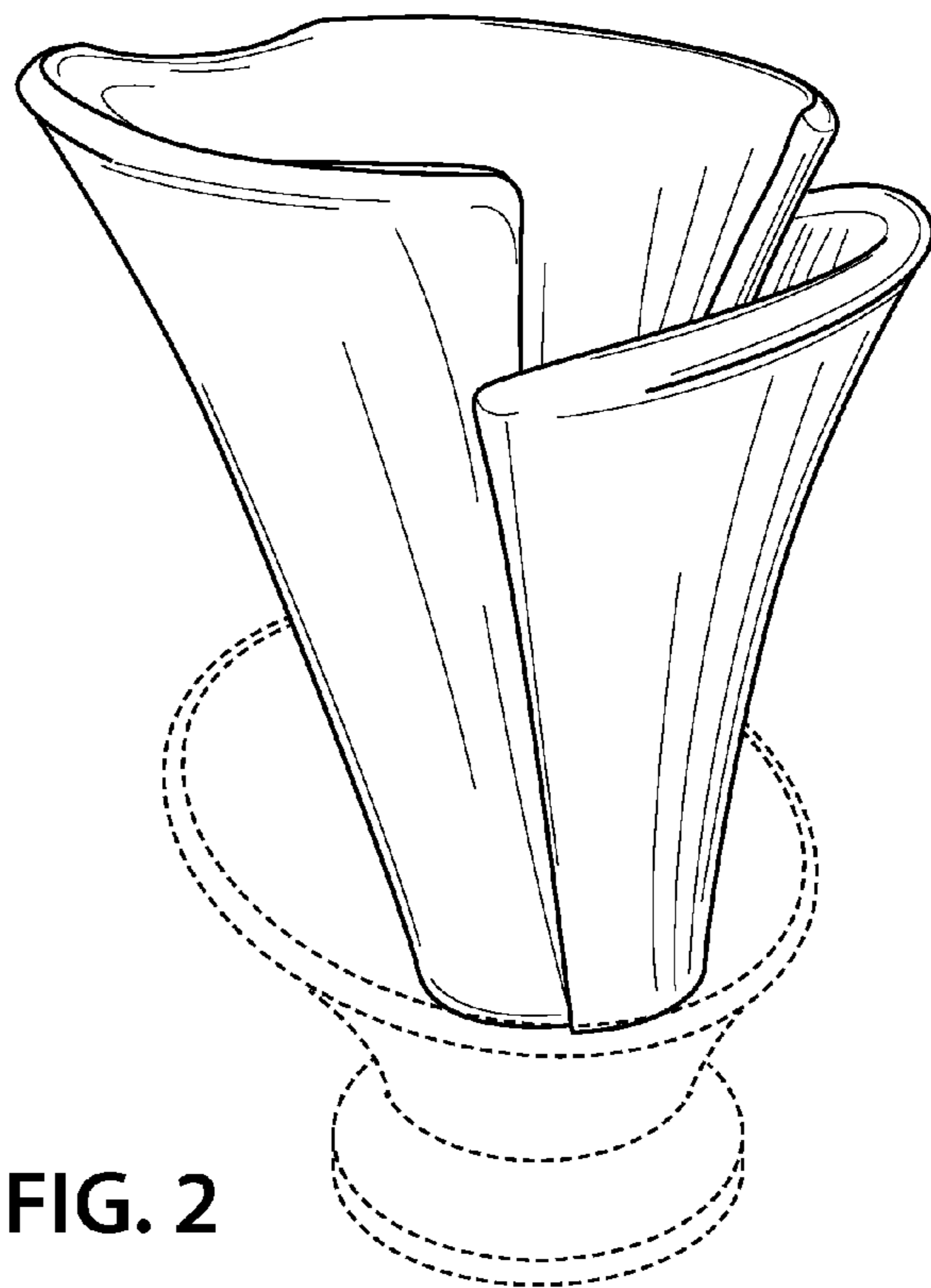


FIG. 2

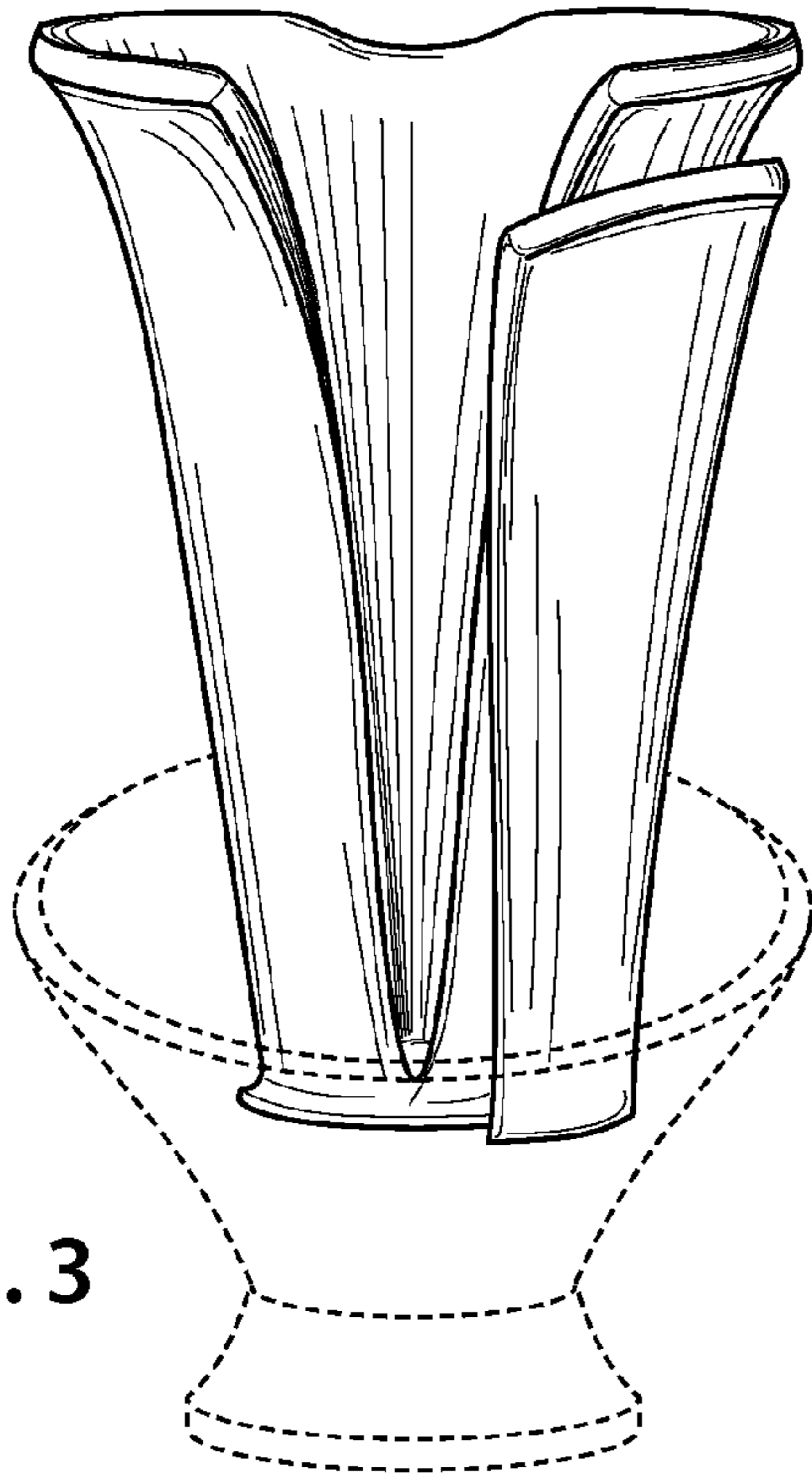


FIG. 3

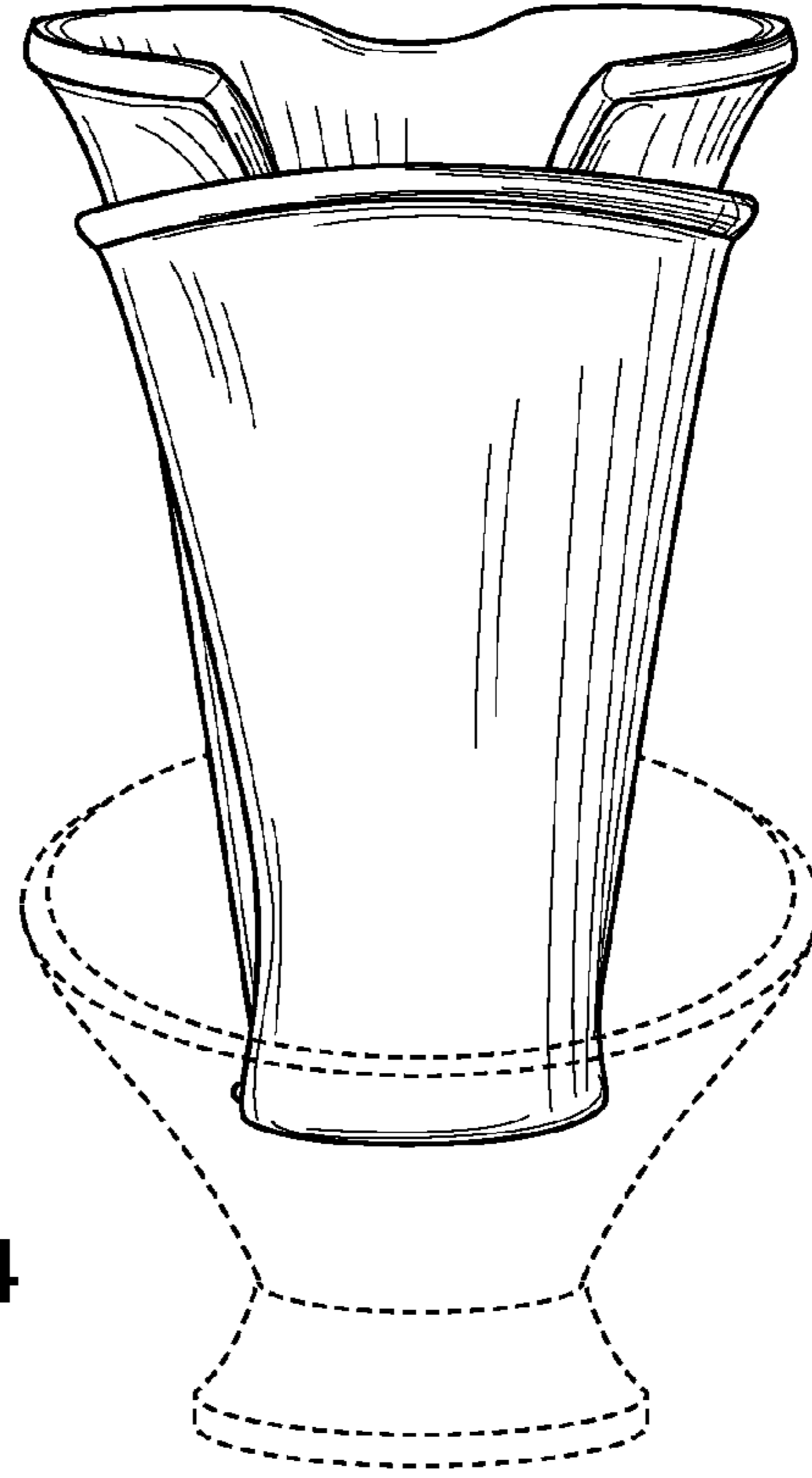


FIG. 4

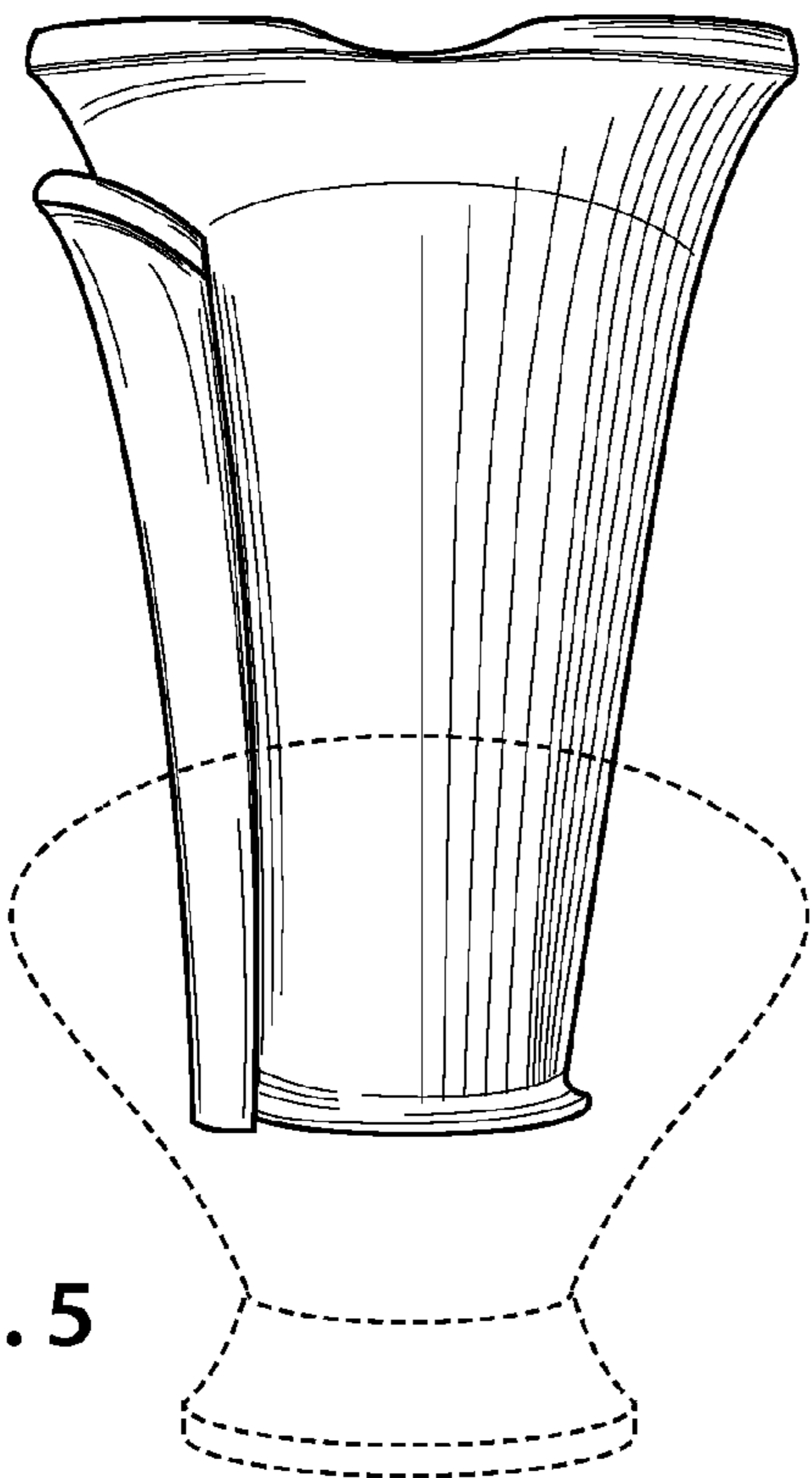


FIG. 5

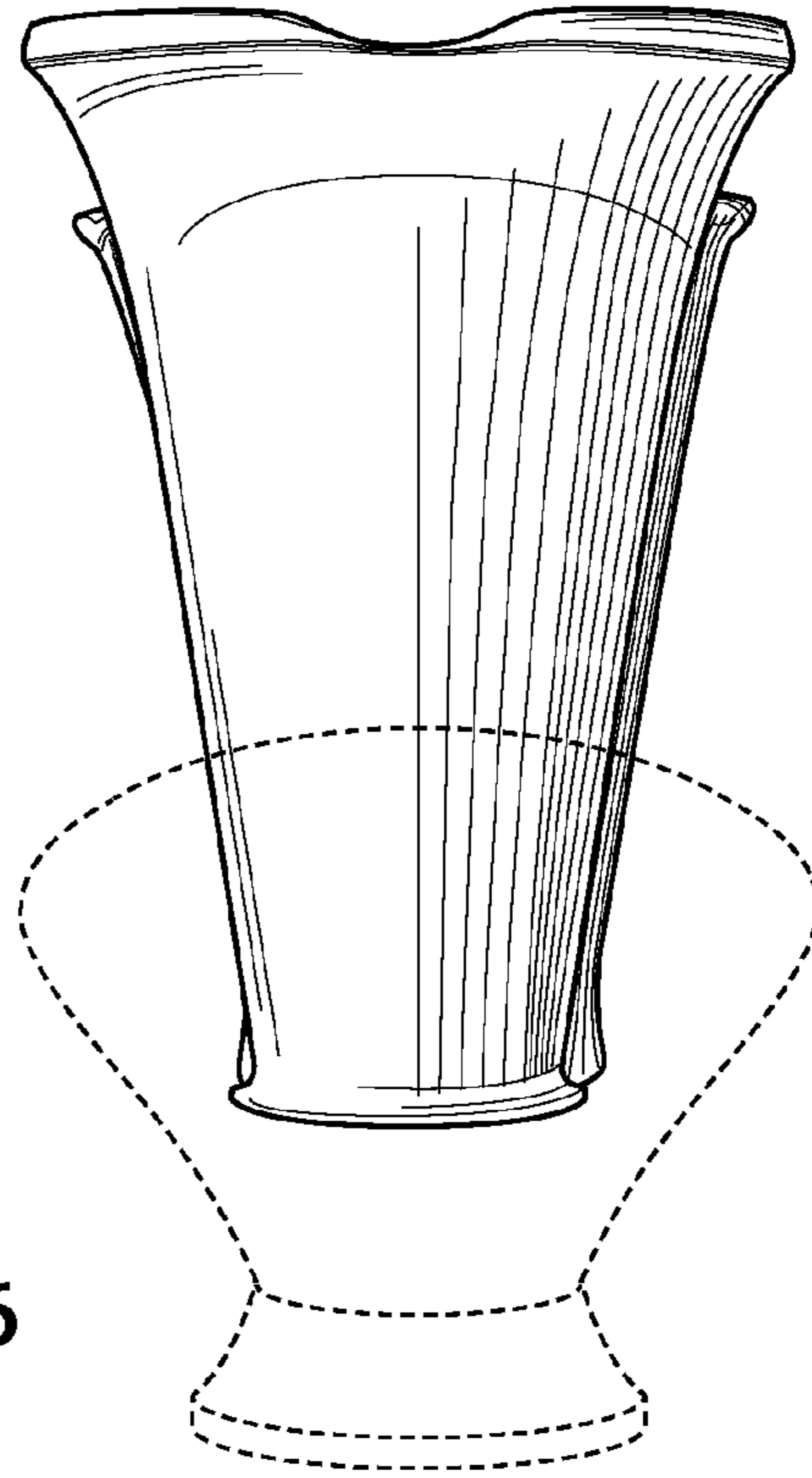


FIG. 6

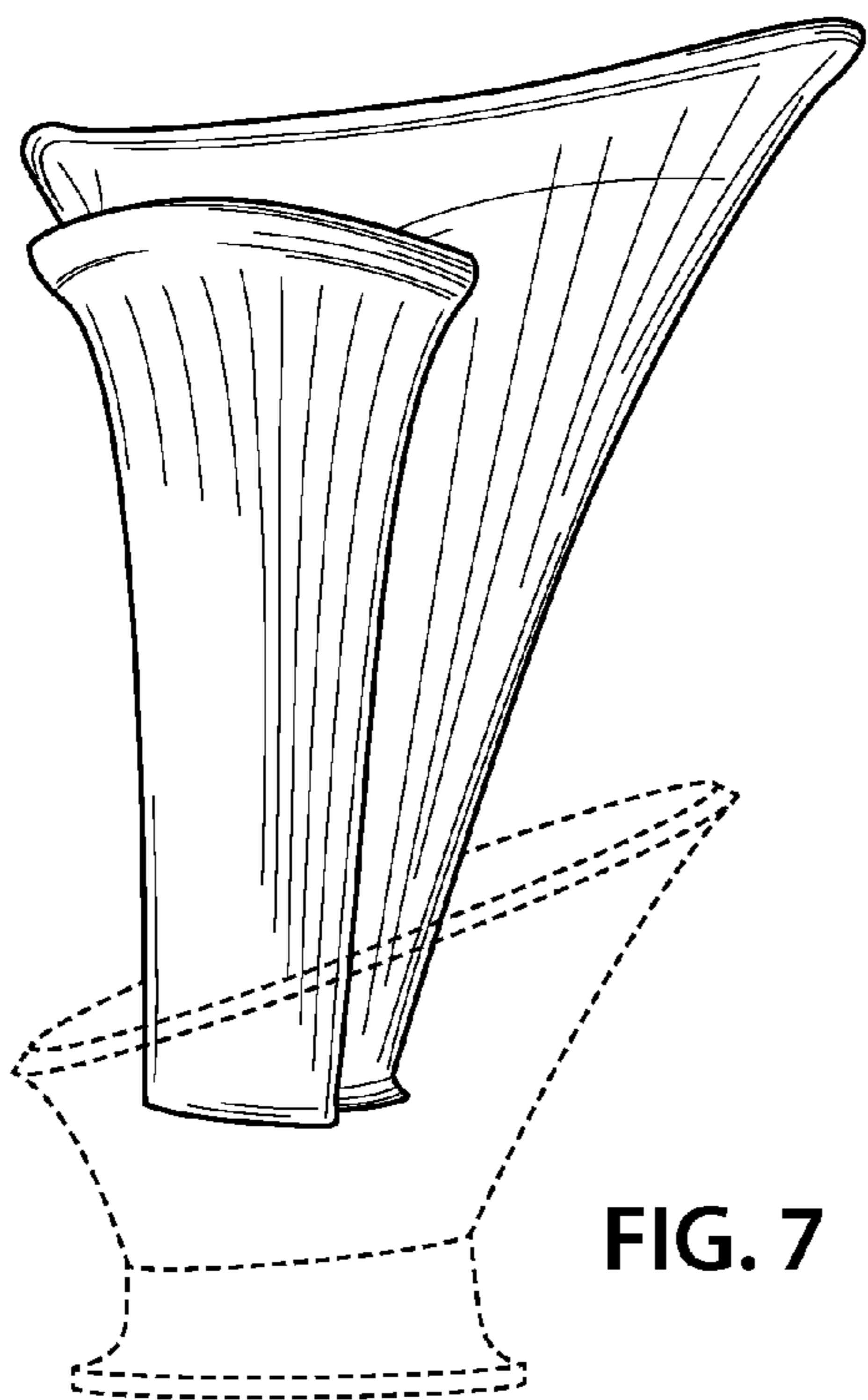


FIG. 7

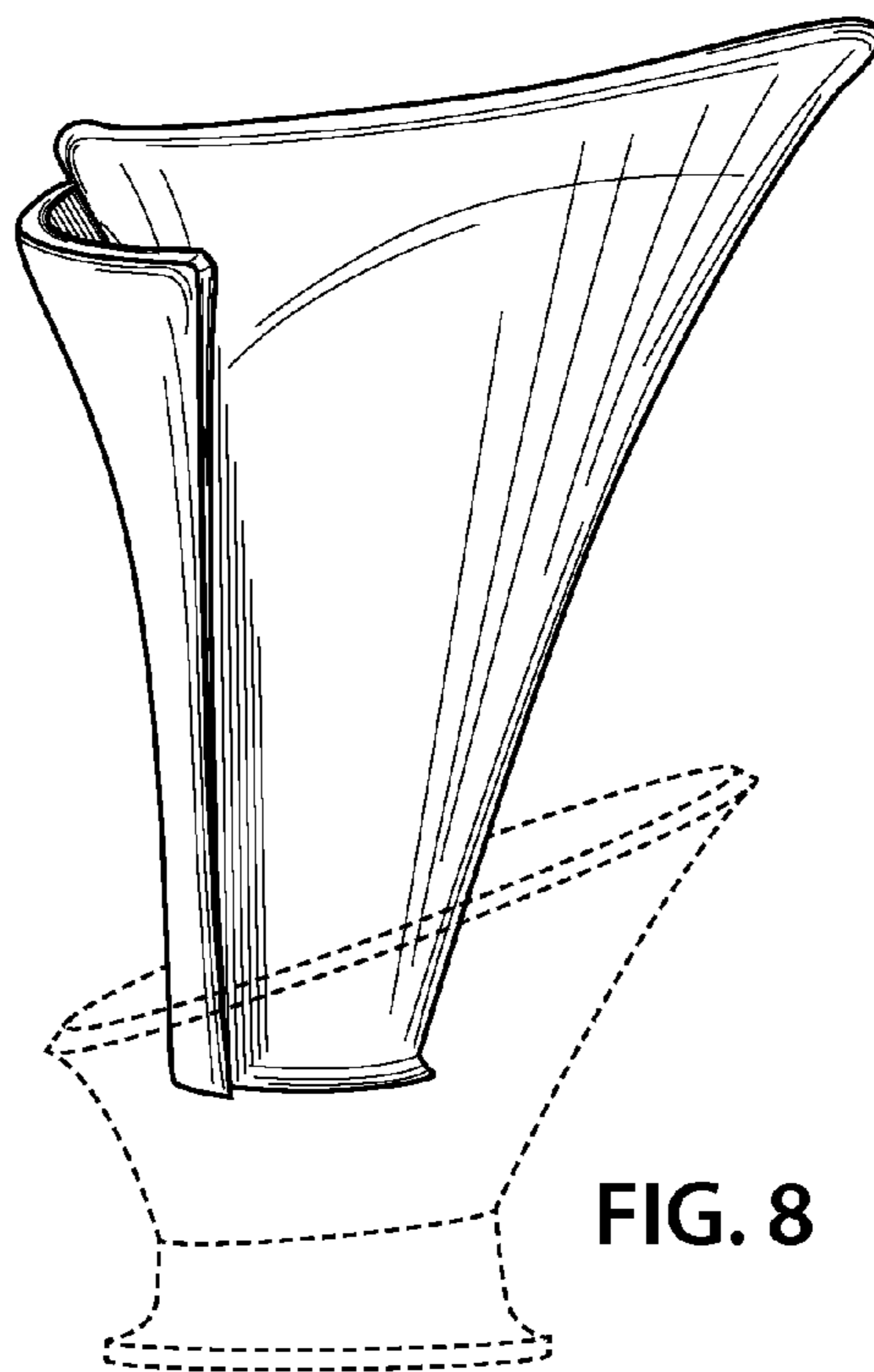


FIG. 8

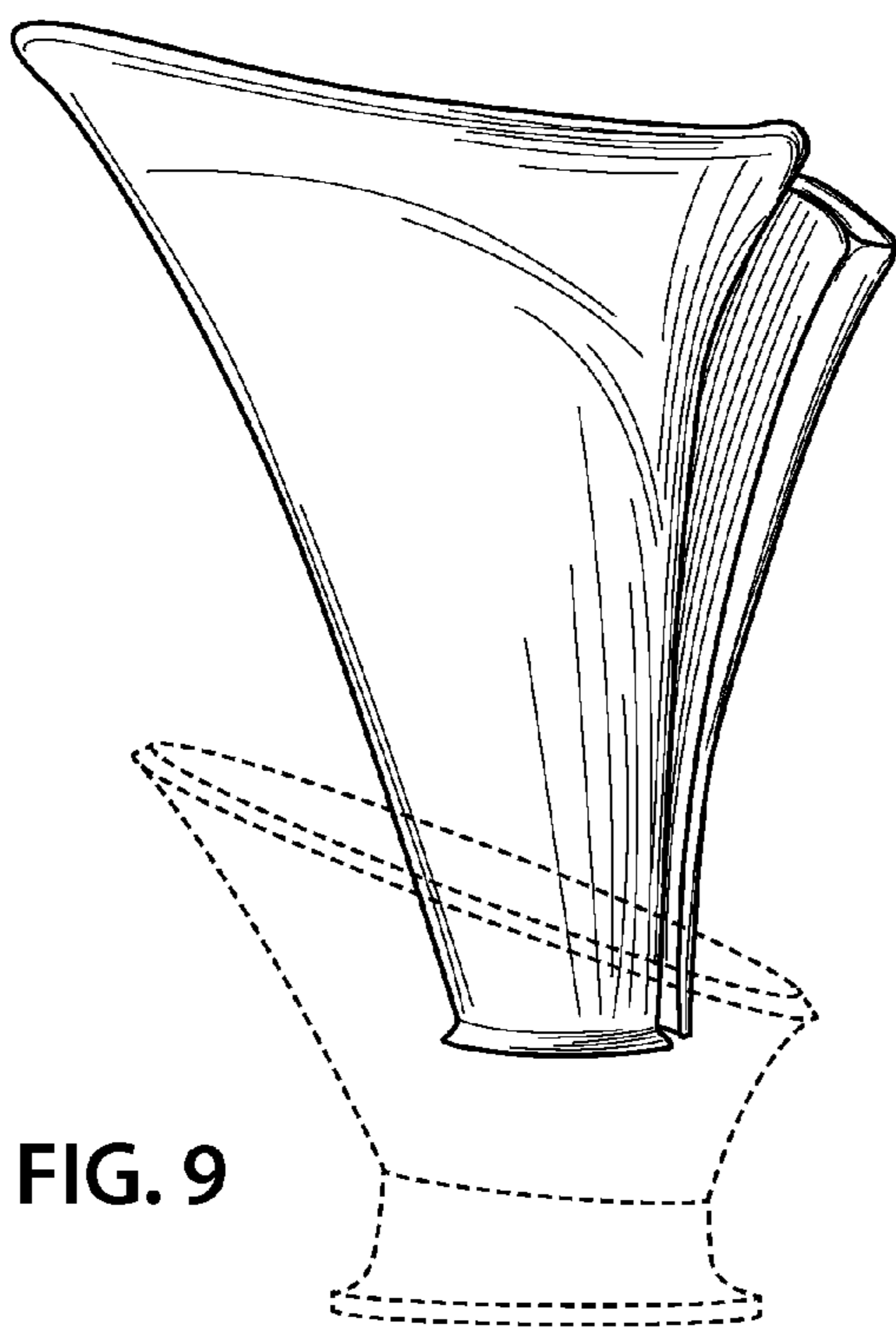


FIG. 9

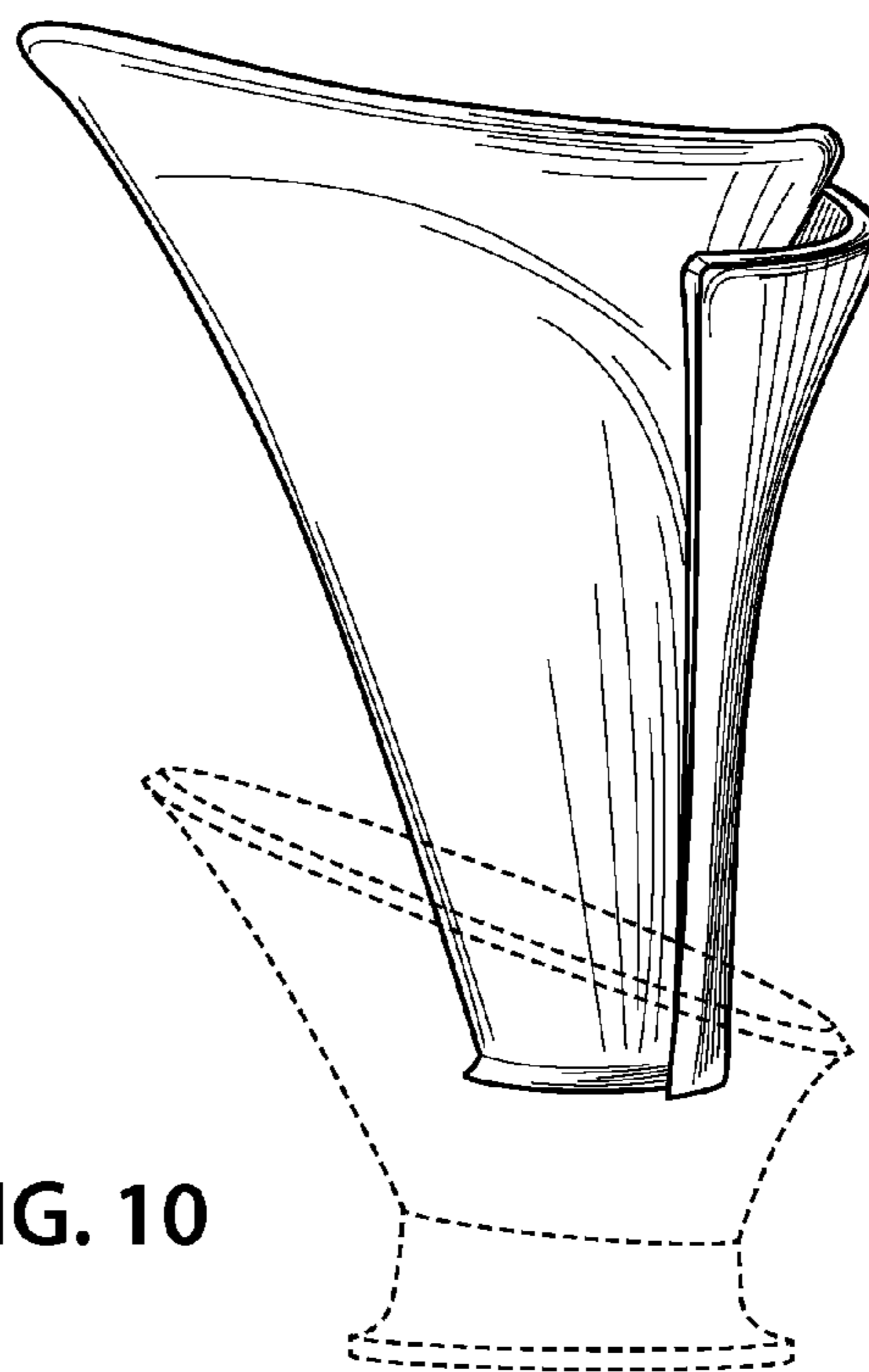


FIG. 10

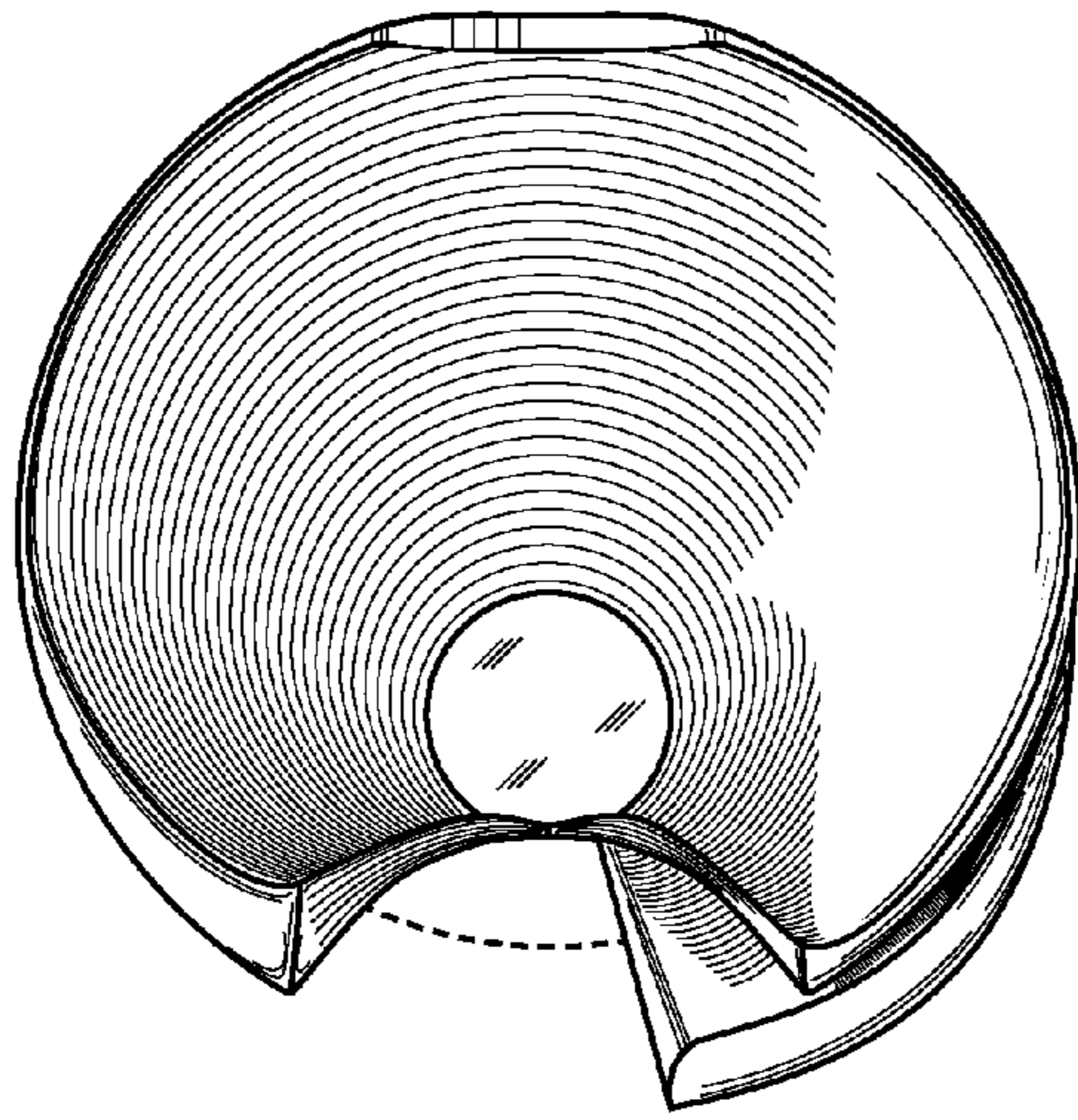


FIG. 11

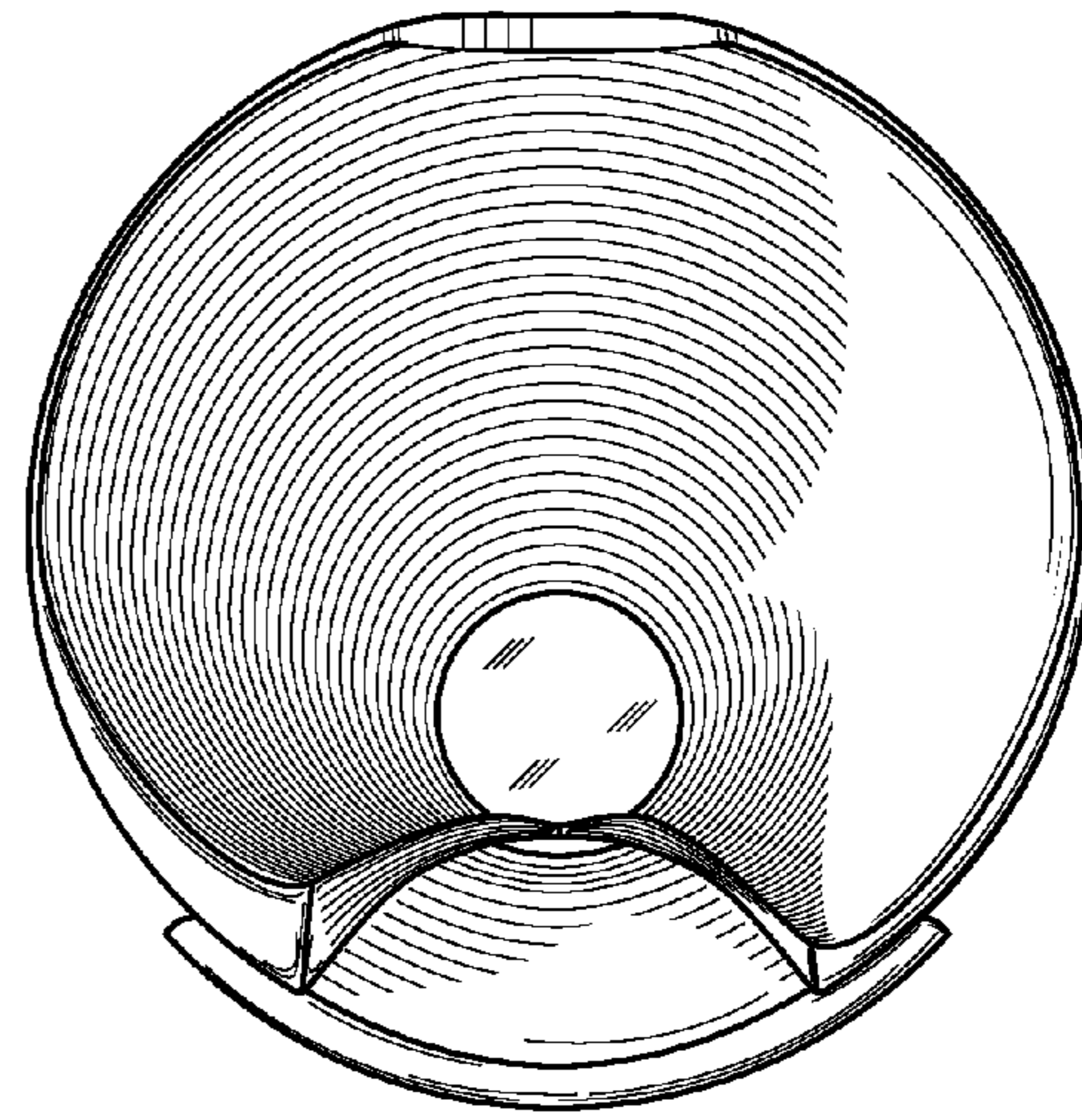


FIG. 12

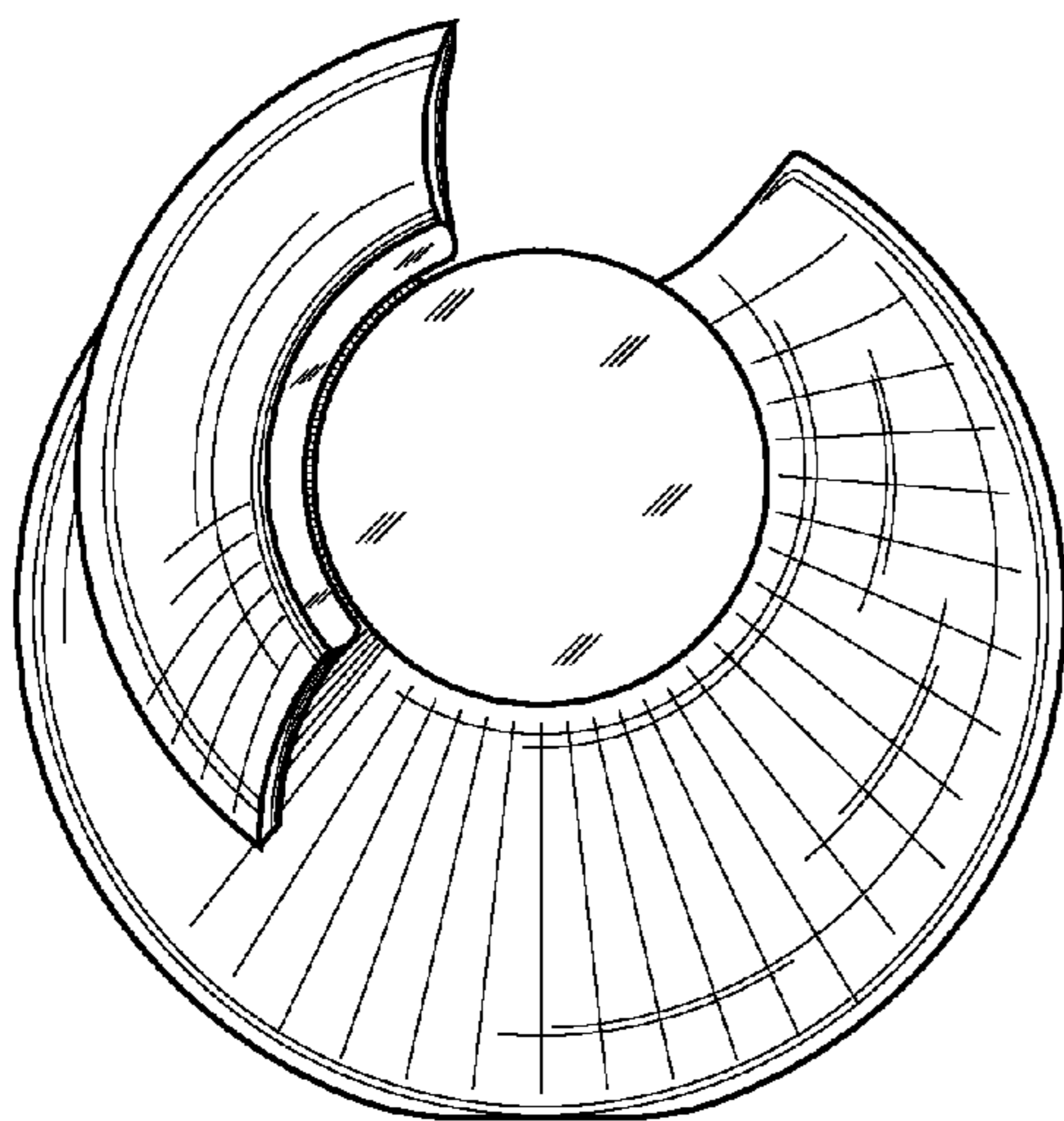


FIG. 13

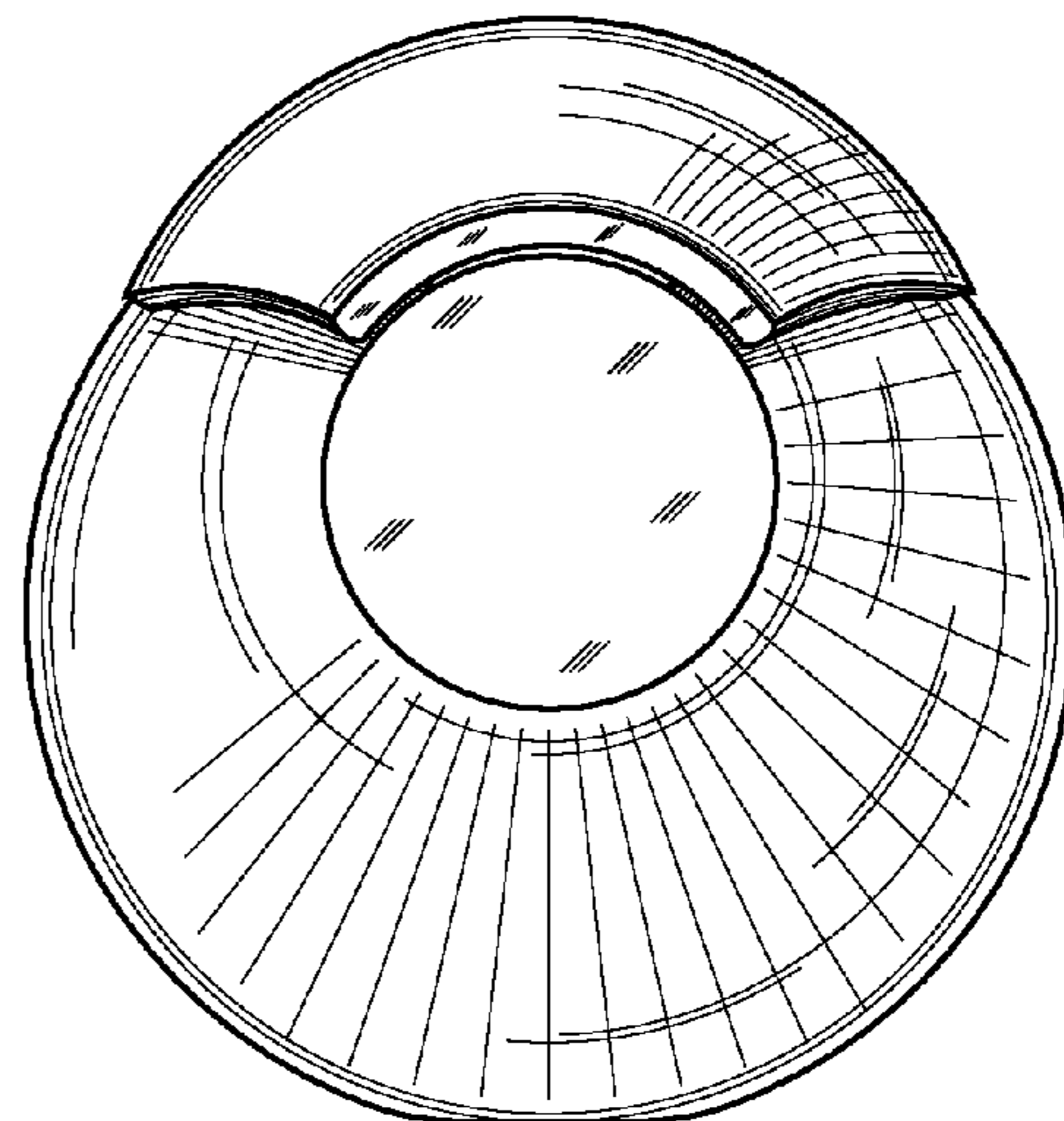


FIG. 14