



US00D731038S

(12) **United States Design Patent**  
**Enomoto et al.**

(10) **Patent No.:** **US D731,038 S**  
(45) **Date of Patent:** **\*\* Jun. 2, 2015**

(54) **SHAMPOO SINK WITH CHAIR**

(56) **References Cited**

(71) Applicant: **TAKARA BELMONT CORPORATION**, Osaka-shi, Osaka (JP)

U.S. PATENT DOCUMENTS

D288,037 S *	2/1987	Orenstein .....	D6/335
D475,158 S *	5/2003	Sato .....	D28/20
D482,820 S *	11/2003	Minami .....	D28/20
D489,189 S *	5/2004	Cheng .....	D6/335
D518,301 S *	4/2006	Ng et al. ....	D6/335
7,114,201 B2 *	10/2006	Matsunaga et al. ....	4/515
7,191,474 B2 *	3/2007	Matsunaga et al. ....	4/515
D680,763 S *	4/2013	Ouchi .....	D6/336

(72) Inventors: **Nobuyuki Enomoto**, Kyoto (JP);  
**Motoki Tamura**, Kyoto (JP); **Eriko Hasegawa**, Kyoto (JP)

\* cited by examiner

(73) Assignee: **Takara Belmont Corporation**, Osaka (JP)

*Primary Examiner* — Robert Delehanty

(74) *Attorney, Agent, or Firm* — Juan Carlos A. Marquez; Bacon & Thomas PLLC

(\*\*) Term: **14 Years**

(57) **CLAIM**

(21) Appl. No.: **29/454,554**

The ornamental design for a shampoo sink with chair, as shown and described.

(22) Filed: **May 10, 2013**

**DESCRIPTION**

(30) **Foreign Application Priority Data**

Nov. 13, 2012 (JP) ..... 2012-027725

(51) **LOC (10) Cl.** ..... **23-02**

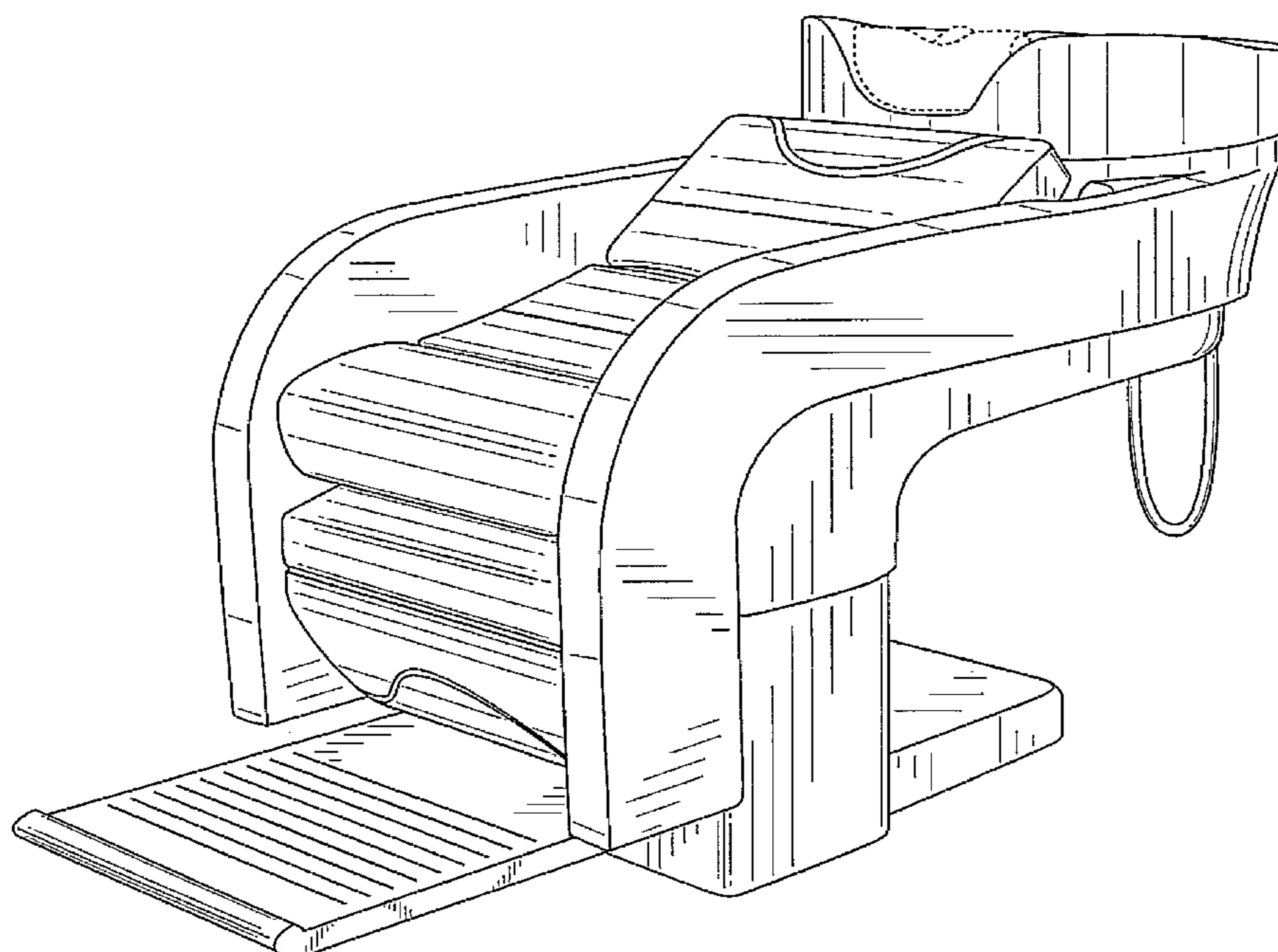
(52) **U.S. Cl.**  
USPC ..... **D23/289**; D6/335

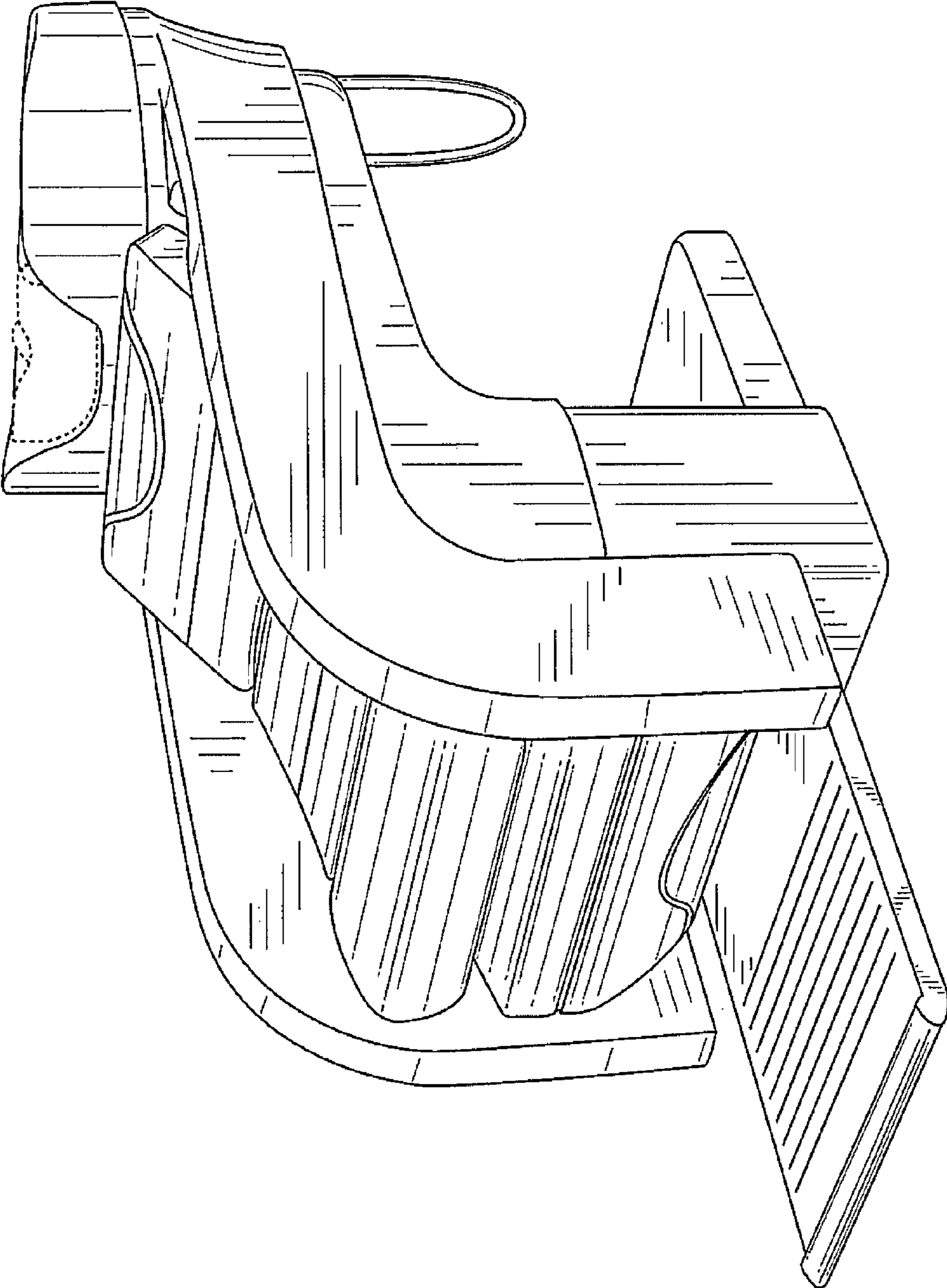
(58) **Field of Classification Search**  
USPC ..... D23/289, 308; 4/515, 517, 518–523;  
D6/335, 349, 360; D28/20

FIG. 1 is a front and side perspective view of a shampoo sink with chair showing our new design;  
FIG. 2 is a rear and side perspective view thereof;  
FIG. 3 is a front elevation view thereof;  
FIG. 4 is a rear elevation view thereof;  
FIG. 5 is a side elevation view, the opposite side being a mirror image thereof;  
FIG. 6 is a bottom plan view thereof; and,  
FIG. 7 is a top plan view thereof.  
The broken lines showing interior portions of the sink bowl and bottom portions of the chair are included for the purpose of illustrating a portion of the shampoo sink with chair that forms no part of the claimed design.

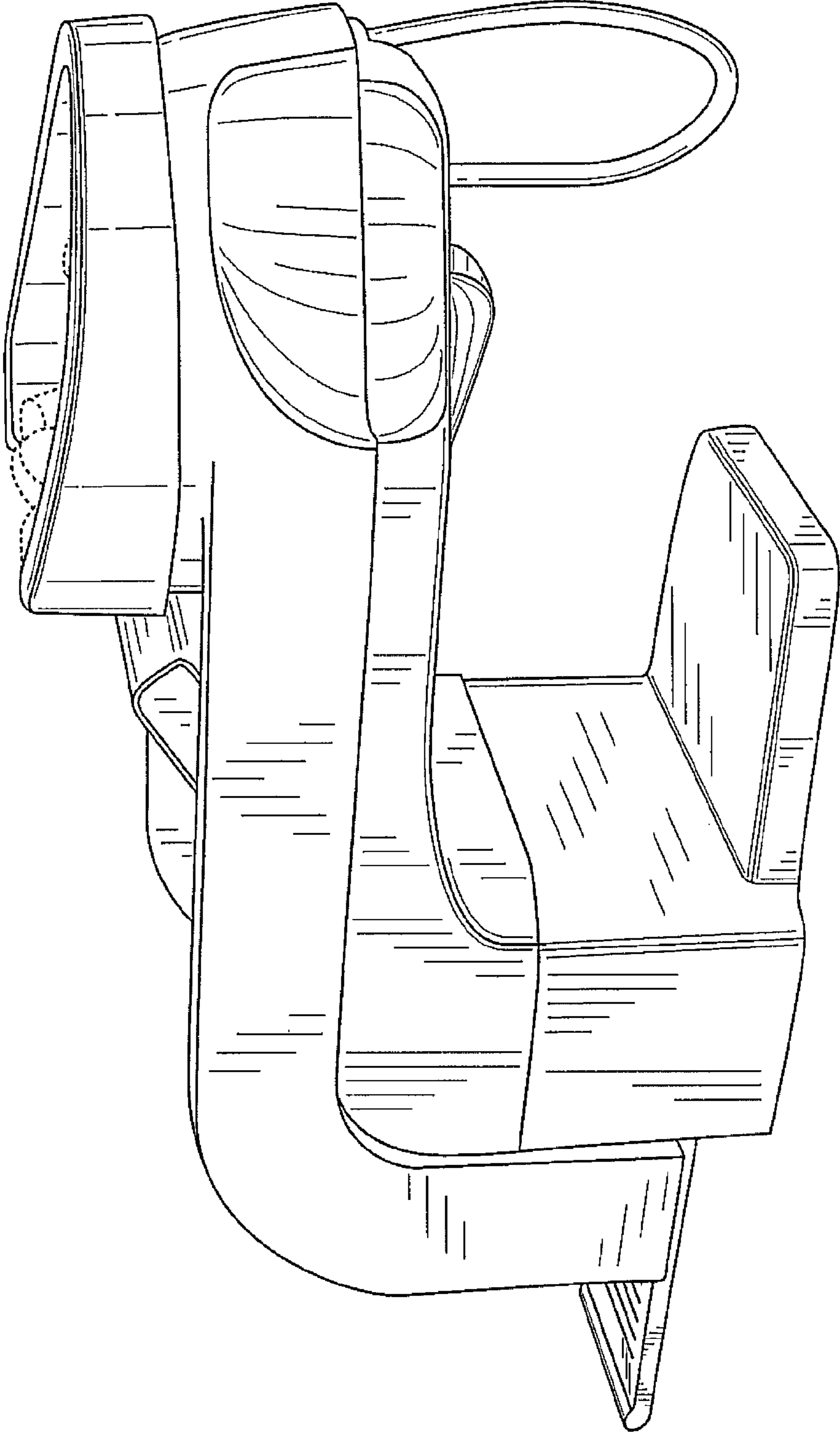
See application file for complete search history.

**1 Claim, 6 Drawing Sheets**

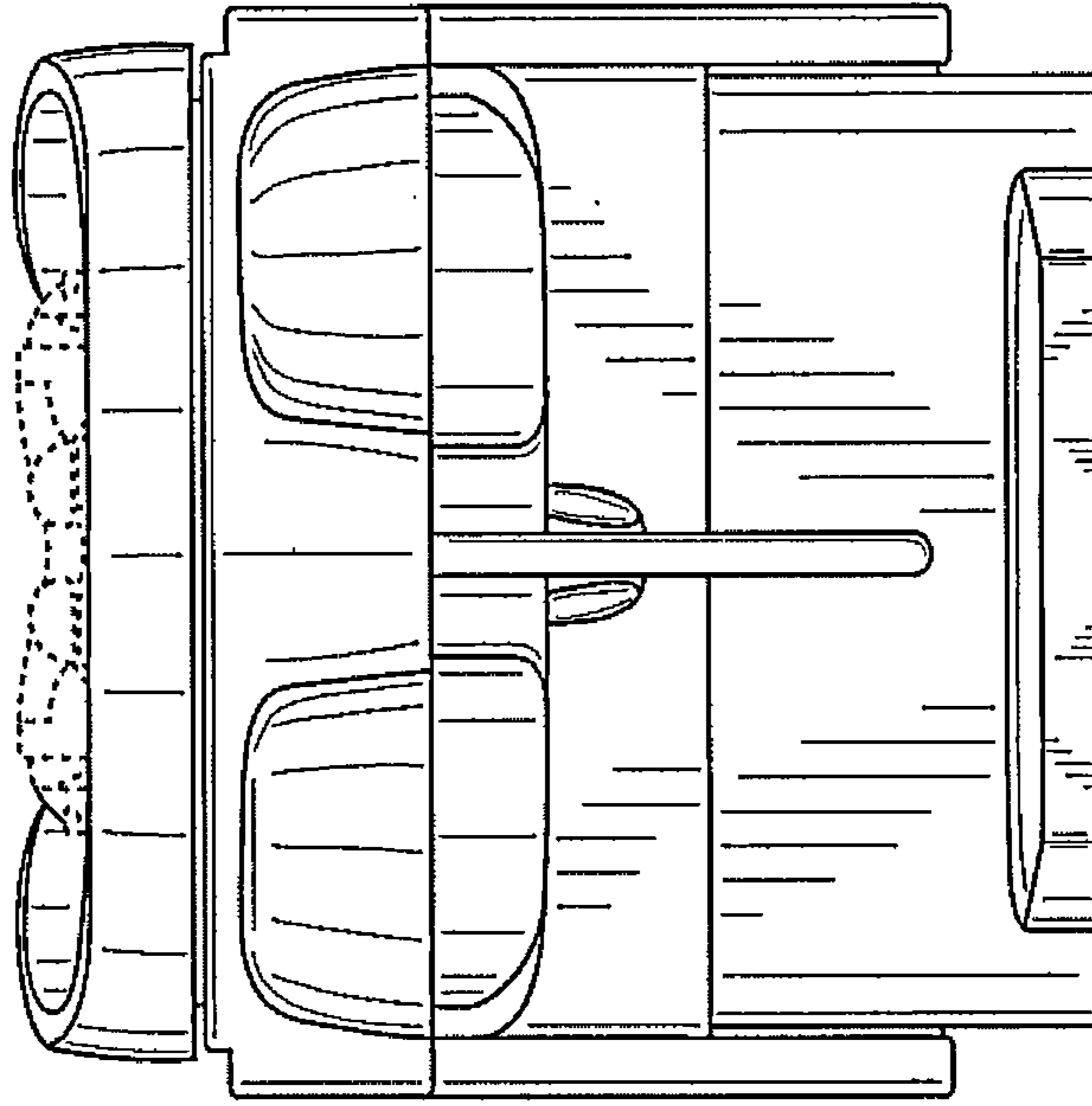




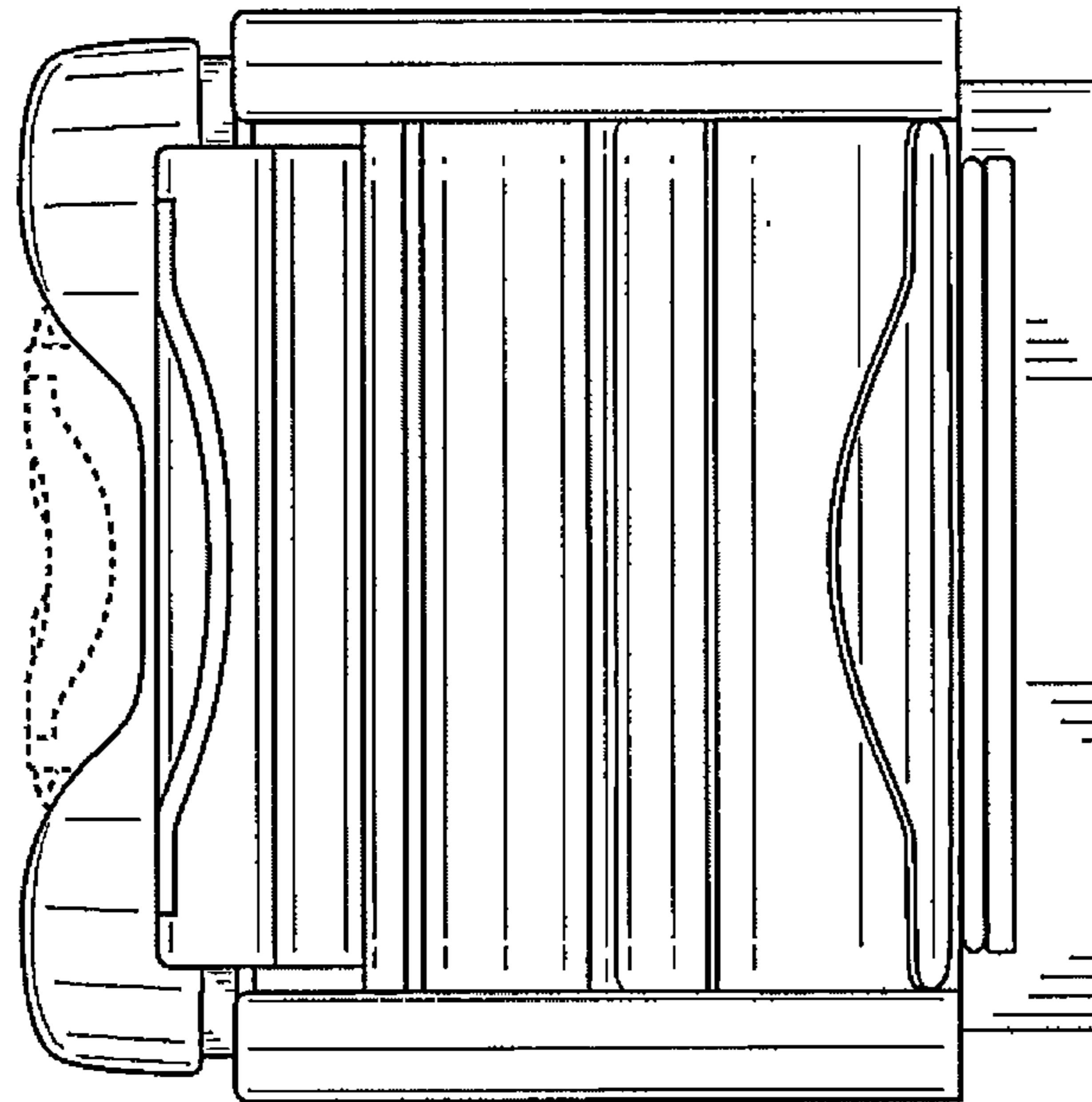
**FIG. 1**



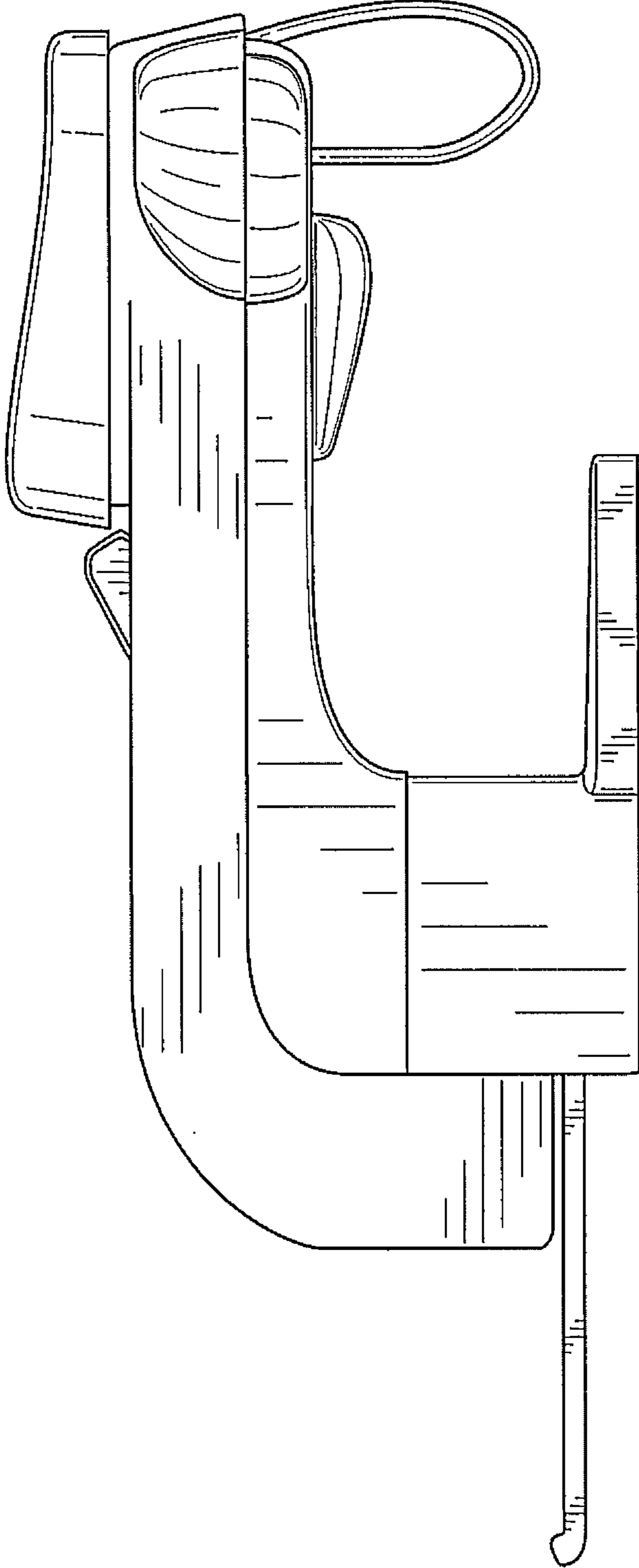
**FIG. 2**



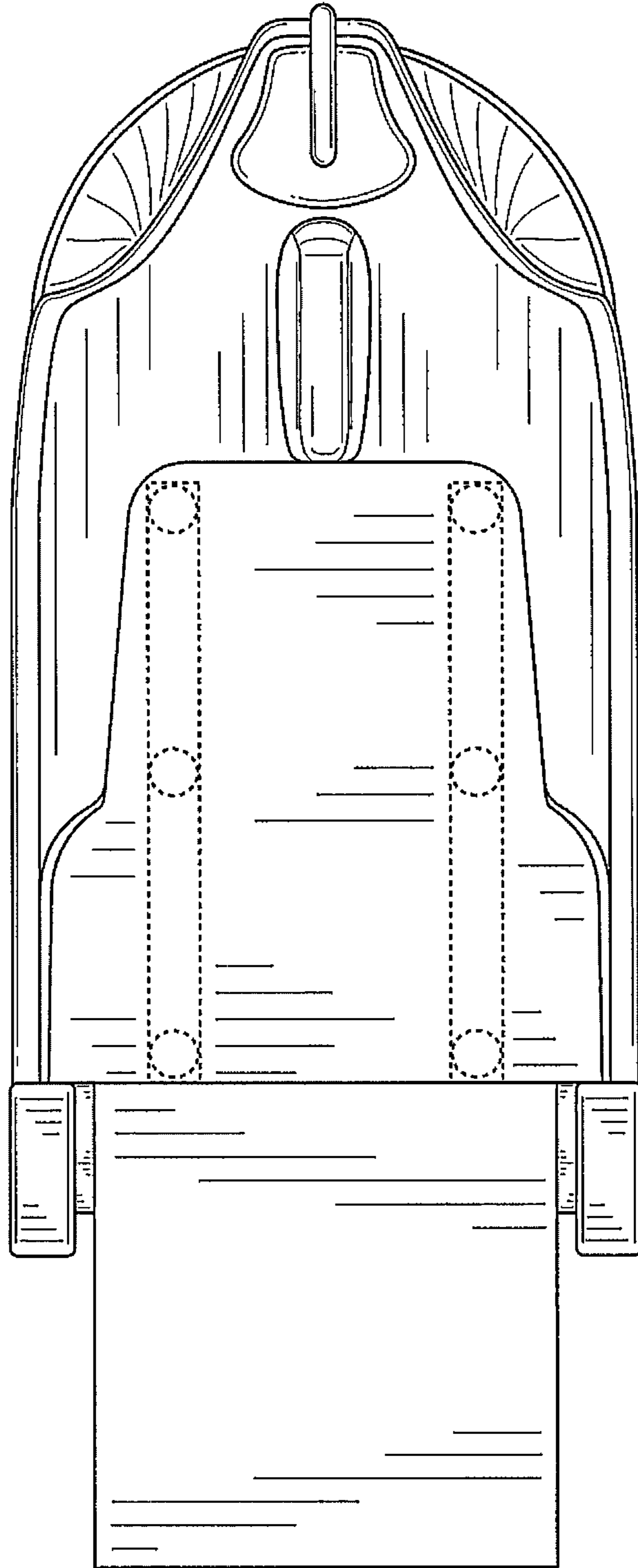
**FIG. 4**



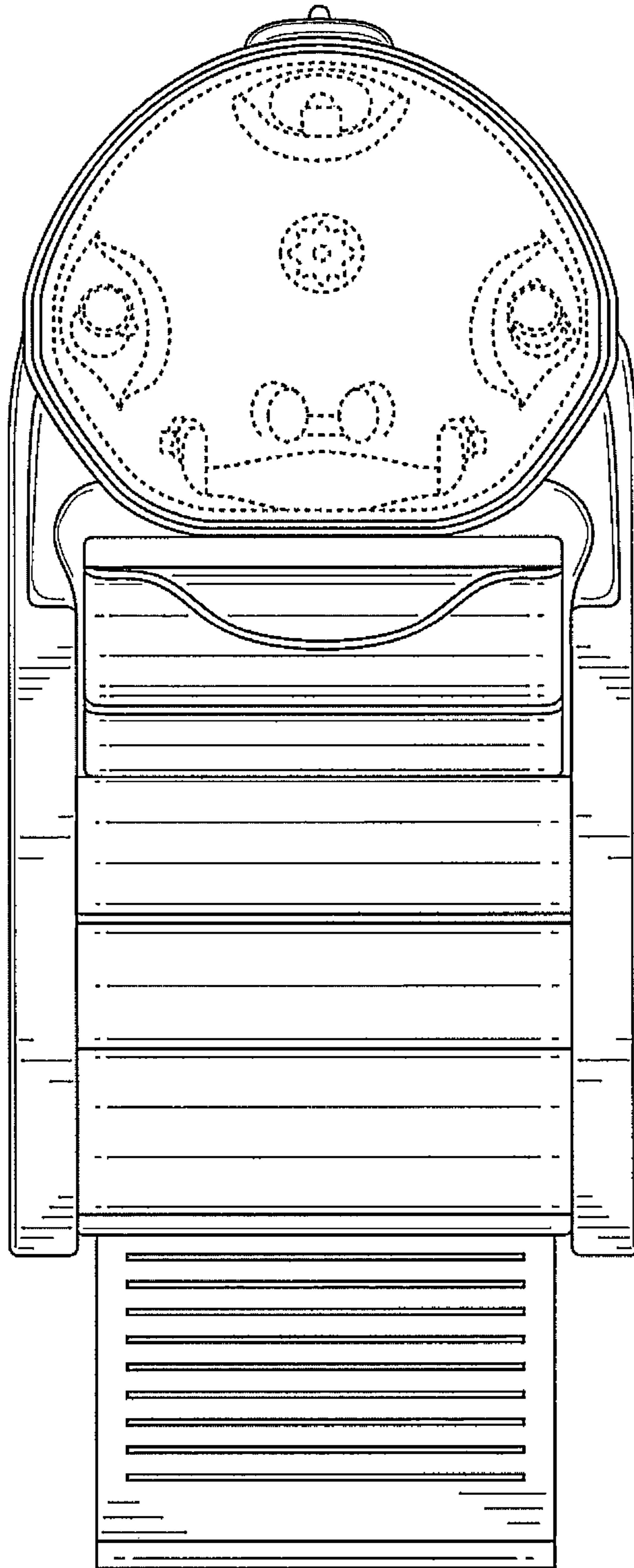
**FIG. 3**



**FIG. 5**



**FIG. 6**



**FIG. 7**