



US00D731037S

(12) **United States Design Patent**
Ouyang

(10) **Patent No.:** **US D731,037 S**
(45) **Date of Patent:** **** Jun. 2, 2015**

(54) **CABINET WITH RETRACTABLE STOOL**

(74) *Attorney, Agent, or Firm* — Jeanette Meng Nakagawa

(71) Applicant: **Zongshi Ouyang**, Brooklyn, NY (US)

(57) **CLAIM**

(72) Inventor: **Zongshi Ouyang**, Brooklyn, NY (US)

The ornamental design for a cabinet with retractable stool, as shown and described.

(**) Term: **14 Years**

DESCRIPTION

(21) Appl. No.: **29/492,891**

(22) Filed: **Jun. 3, 2014**

(51) **LOC (10) Cl.** **23-02**

(52) **U.S. Cl.**
USPC **D23/286**

(58) **Field of Classification Search**
USPC D23/286, 272–274, 303, 308; 4/630;
312/235.1, 278, 228, 227; D6/642,
D6/655, 655.1, 633, 671.3, 671; D24/234
See application file for complete search history.

FIG. 1 is a perspective view from above of a cabinet with retractable stool, with a stool in an extended position and doors in closed position, showing my new design; FIG. 2 is a front view thereof, with doors in closed position; FIG. 3 is a left side view thereof, with the stool in an extended position; FIG. 4 is a top view thereof, with the stool in an extended position; FIG. 5 is a right side view thereof, with the stool in an extended position; FIG. 6 is a back side view thereof; FIG. 7 is a bottom side view thereof, with the stool in an extended position; FIG. 8 is a perspective view from above of the cabinet with retractable stool, with the stool in an extended position, and fitted with a sink and facet on its top surface; and, FIG. 9 is a perspective view from above of the cabinet with retractable stool, with the stool in a retracted position, fitted with a sink and facet on its top surface, and with the cabinet door in an opened position. The broken lines shown are for illustrative purposes only and form no part of the claimed design.

(56) **References Cited**

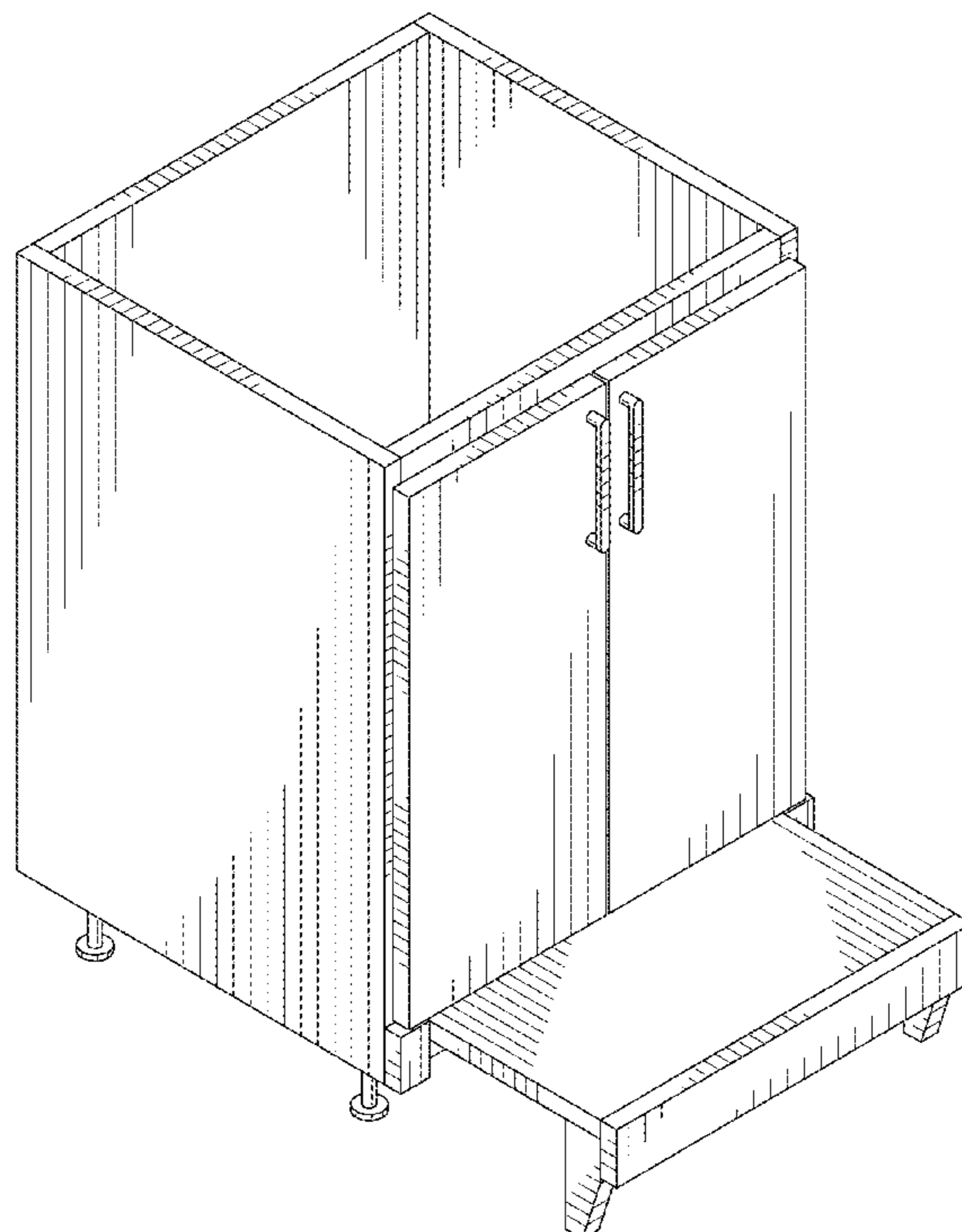
U.S. PATENT DOCUMENTS

5,182,822	A *	2/1993	Cyr et al.	4/630
5,755,498	A *	5/1998	Cutler	312/235.1
6,371,584	B1 *	4/2002	Alreck	312/235.1
D490,629	S *	6/2004	Holley	D6/448
7,355,131	B2 *	4/2008	Pathmanathan et al.	312/228
D626,637	S *	11/2010	Thomas	D23/286
8,075,071	B1 *	12/2011	Whittall	312/235.1

* cited by examiner

Primary Examiner — Robert Delehanty

1 Claim, 6 Drawing Sheets



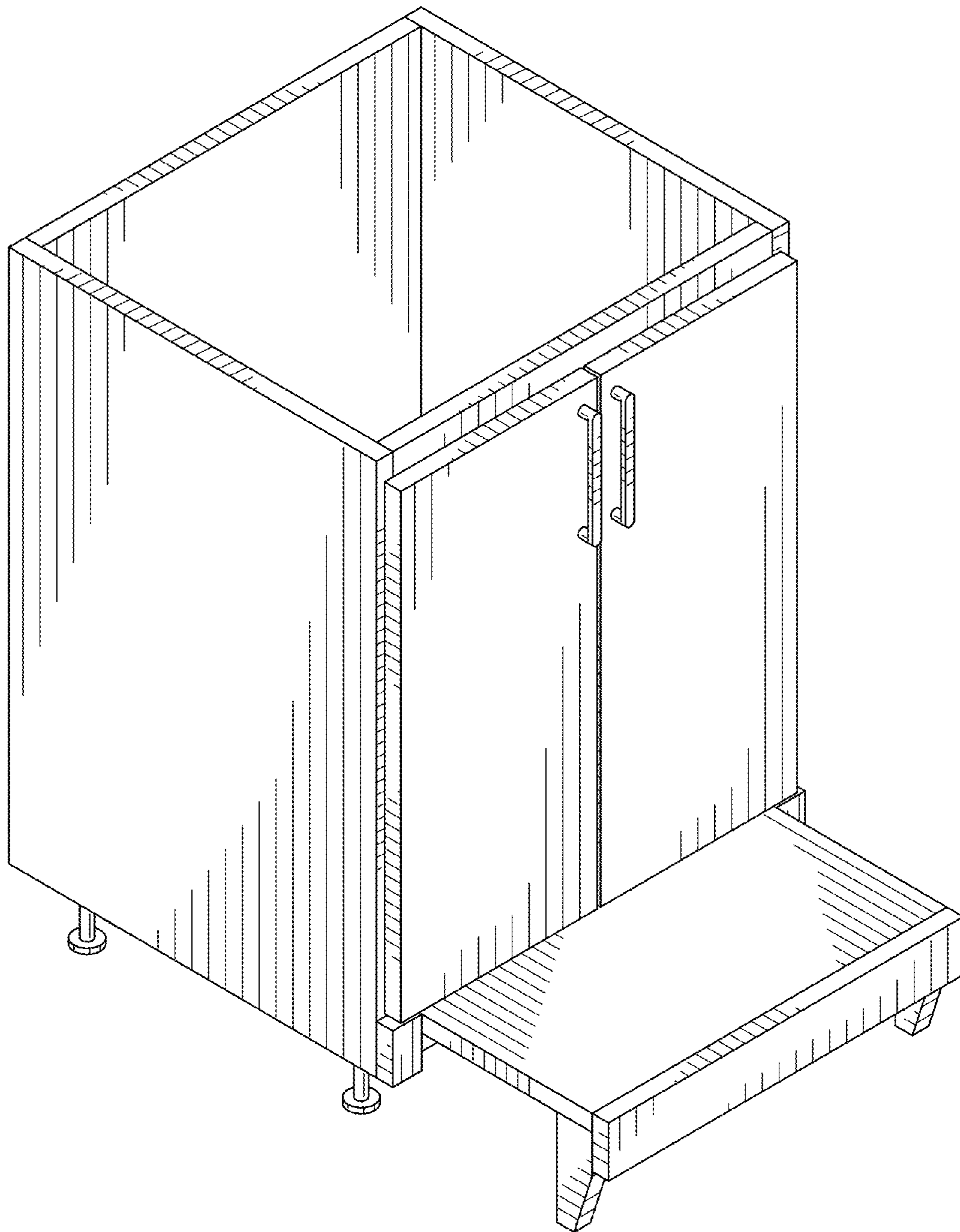


FIG. 1

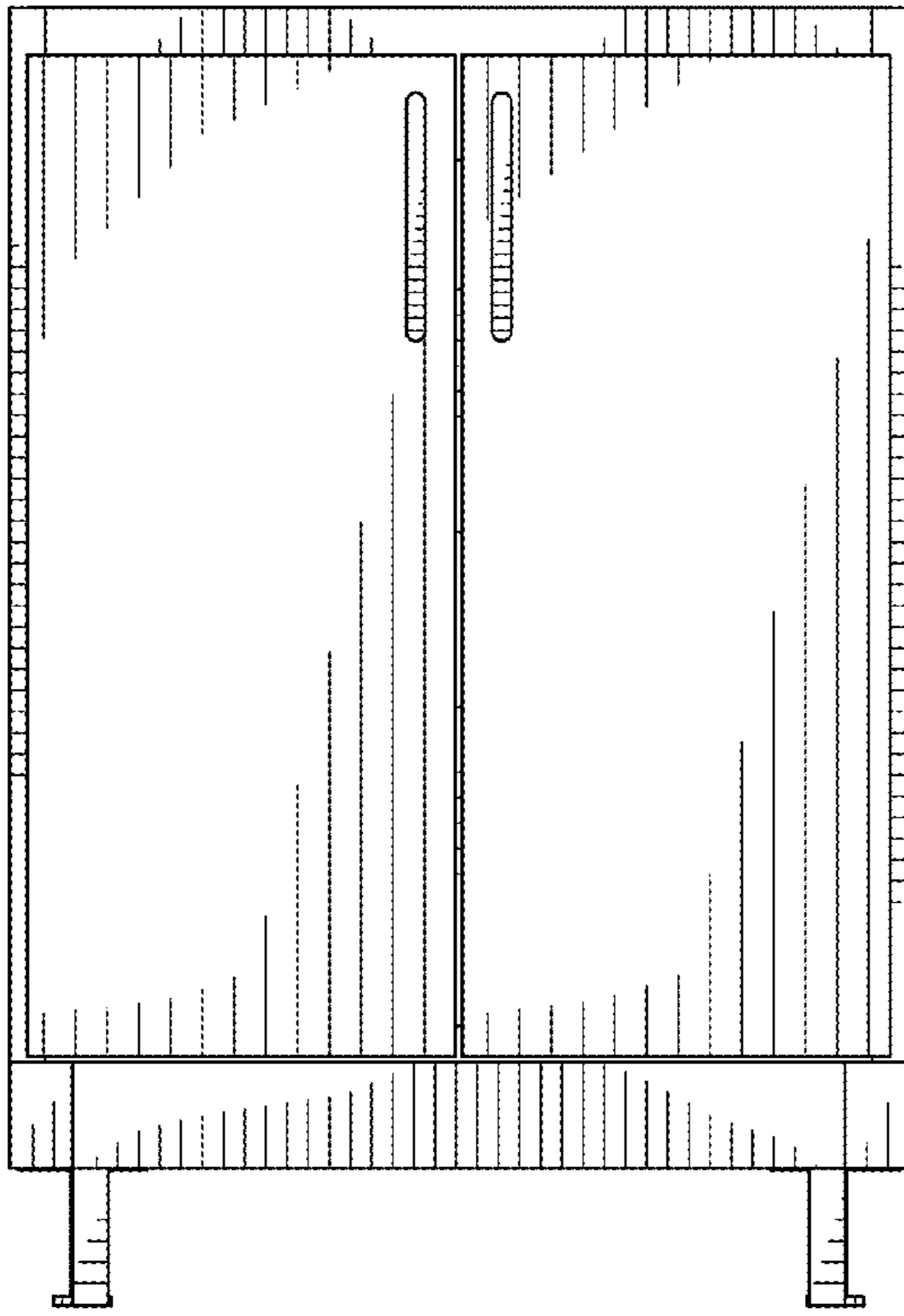
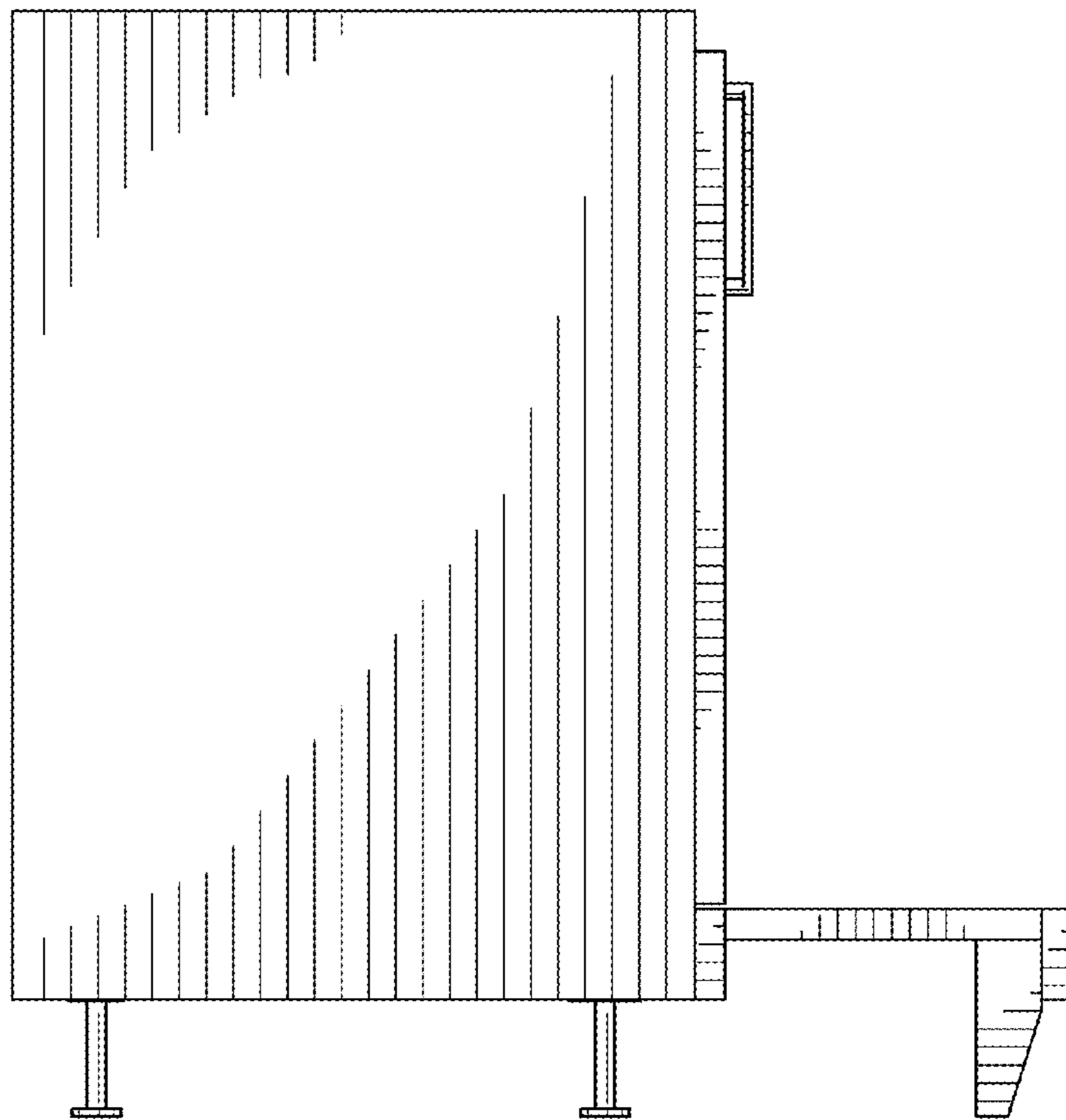


FIG. 2

FIG. 3



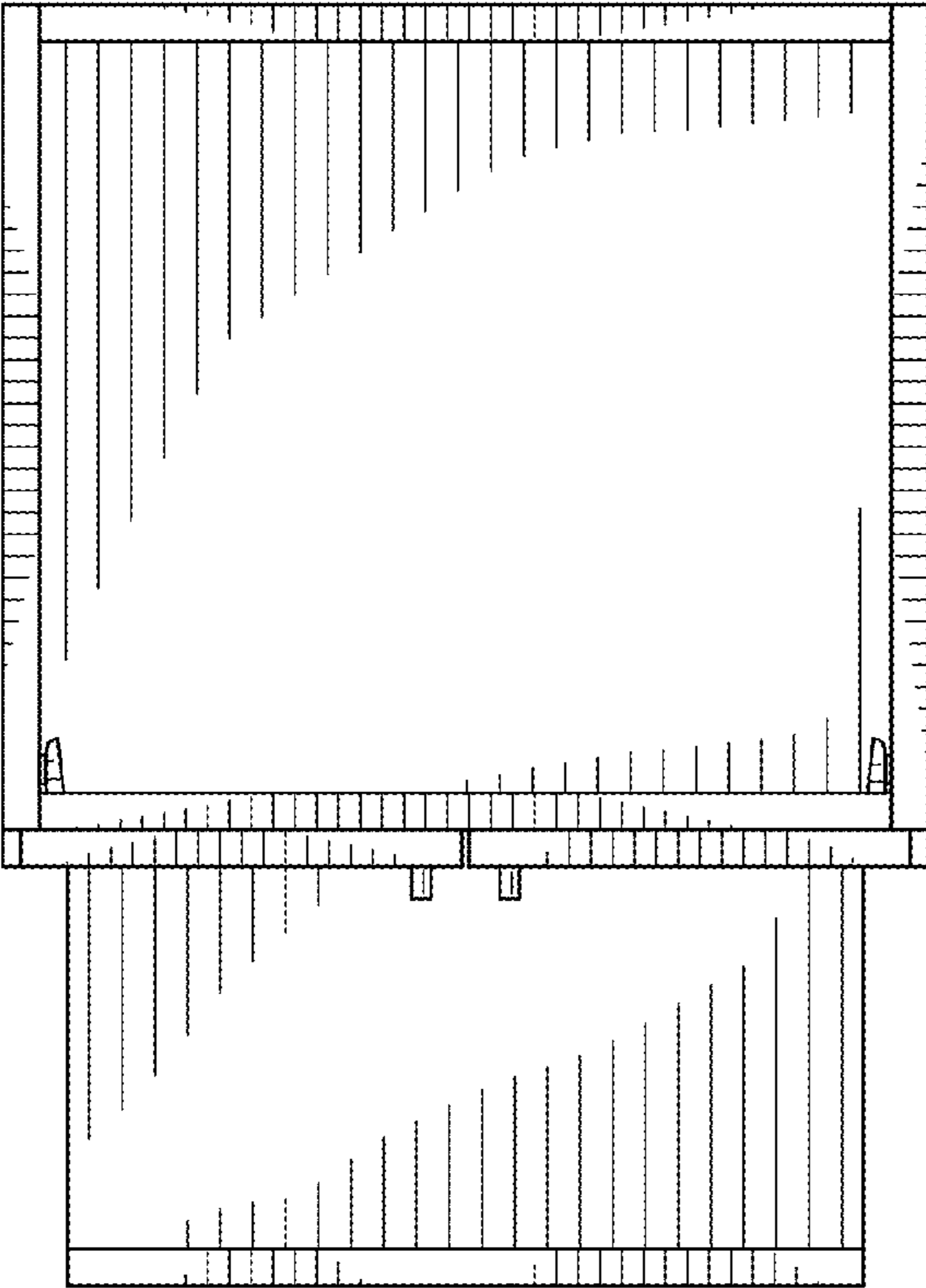
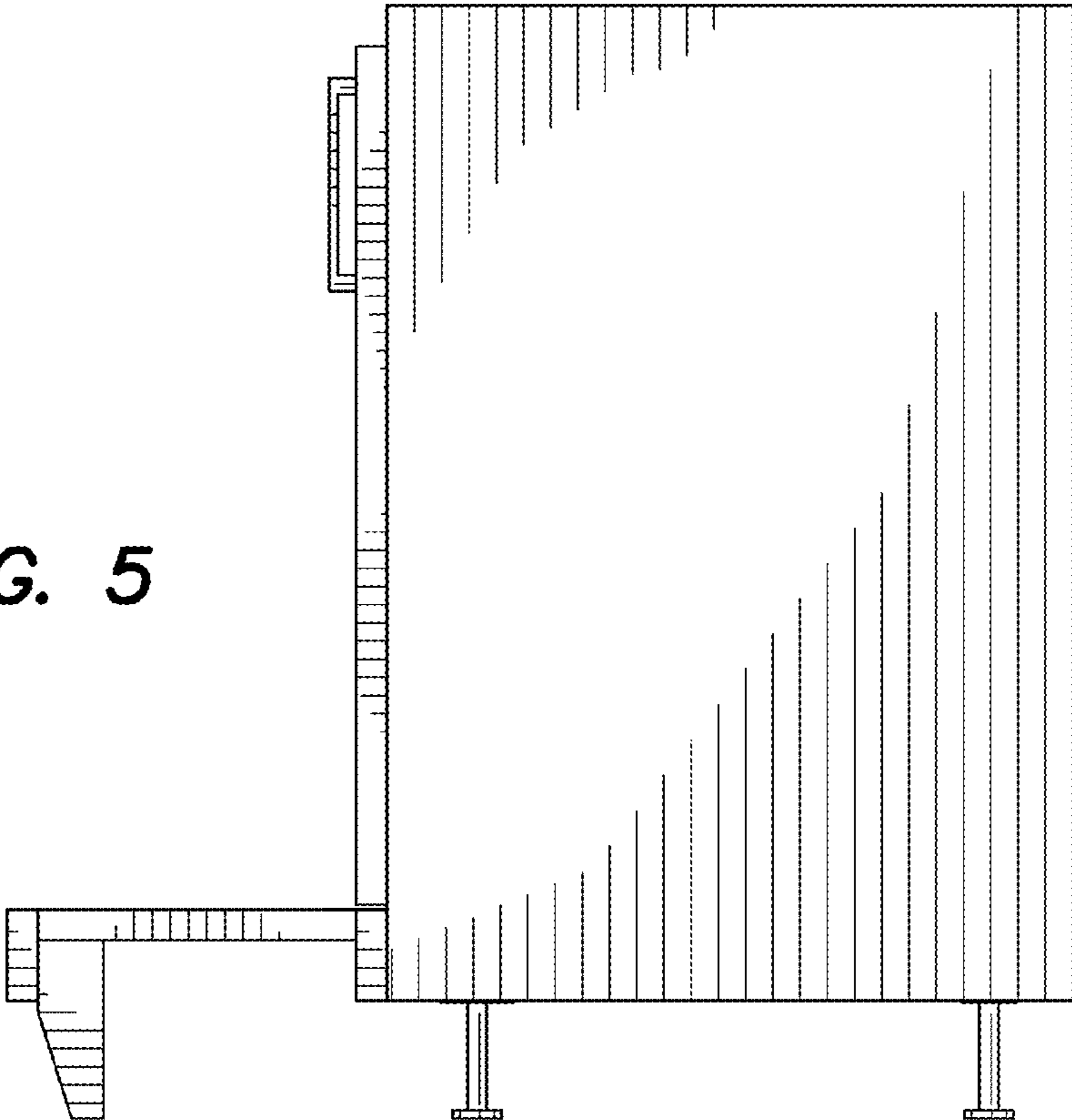


FIG. 4

FIG. 5



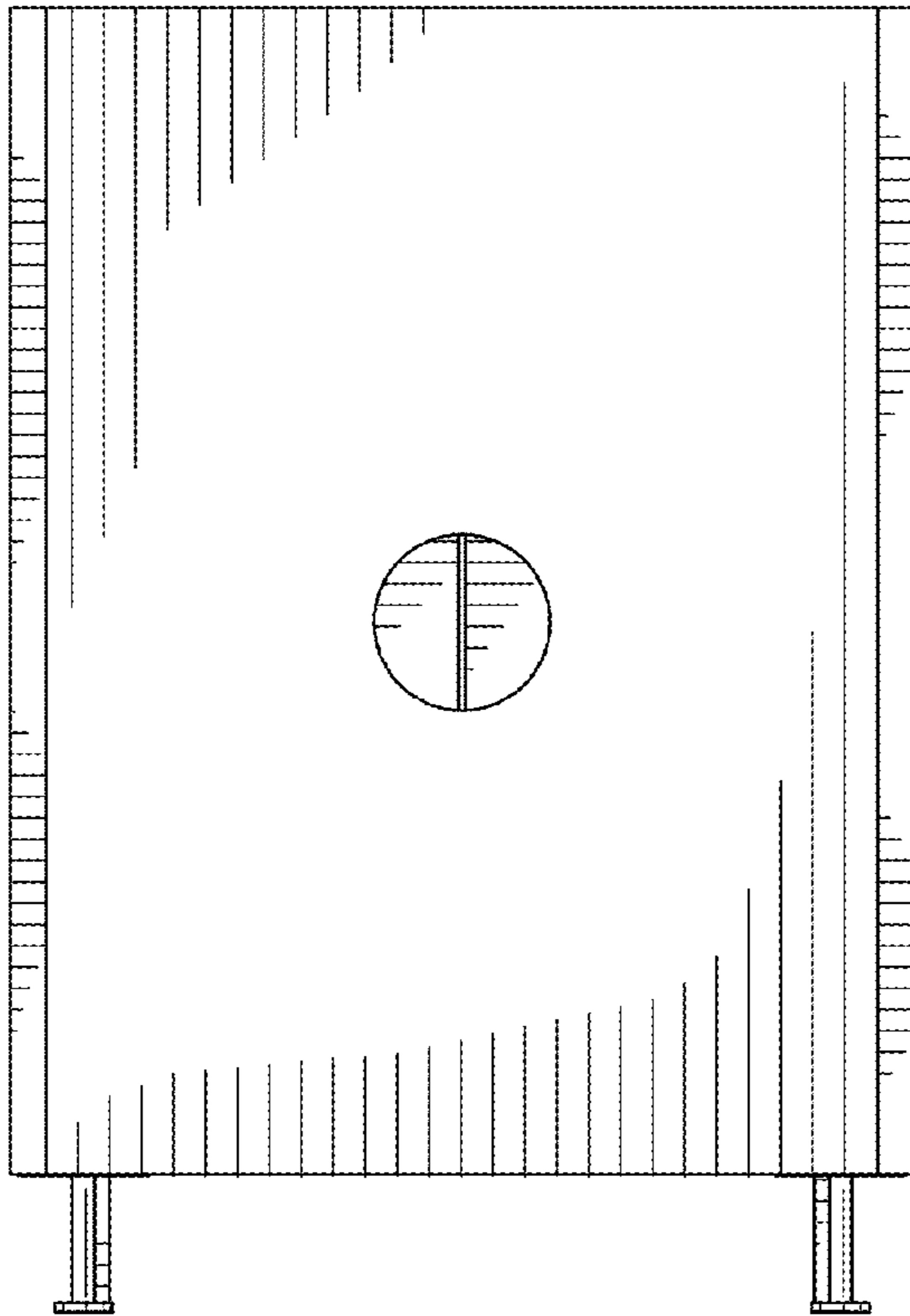


FIG. 6

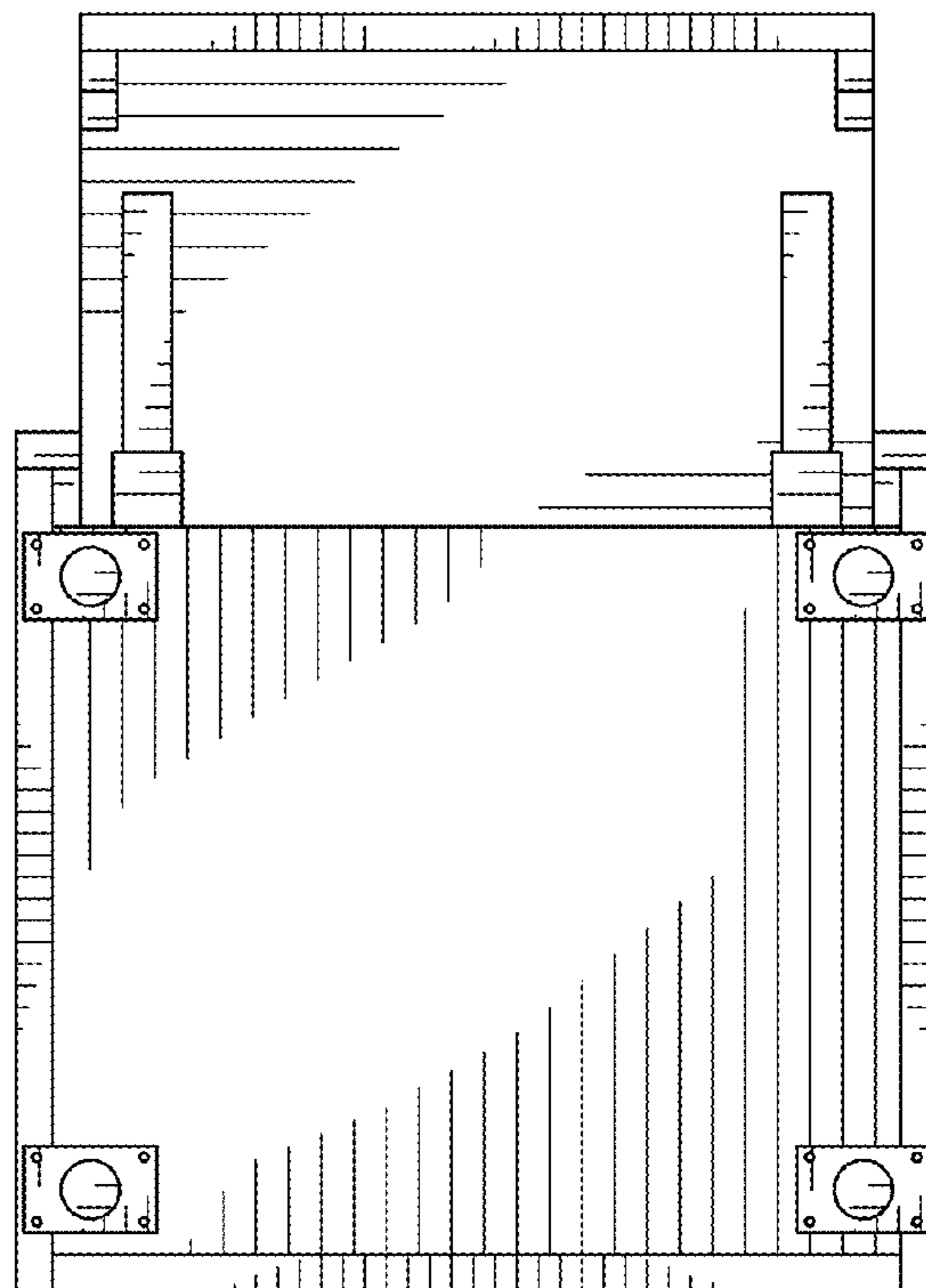


FIG. 7

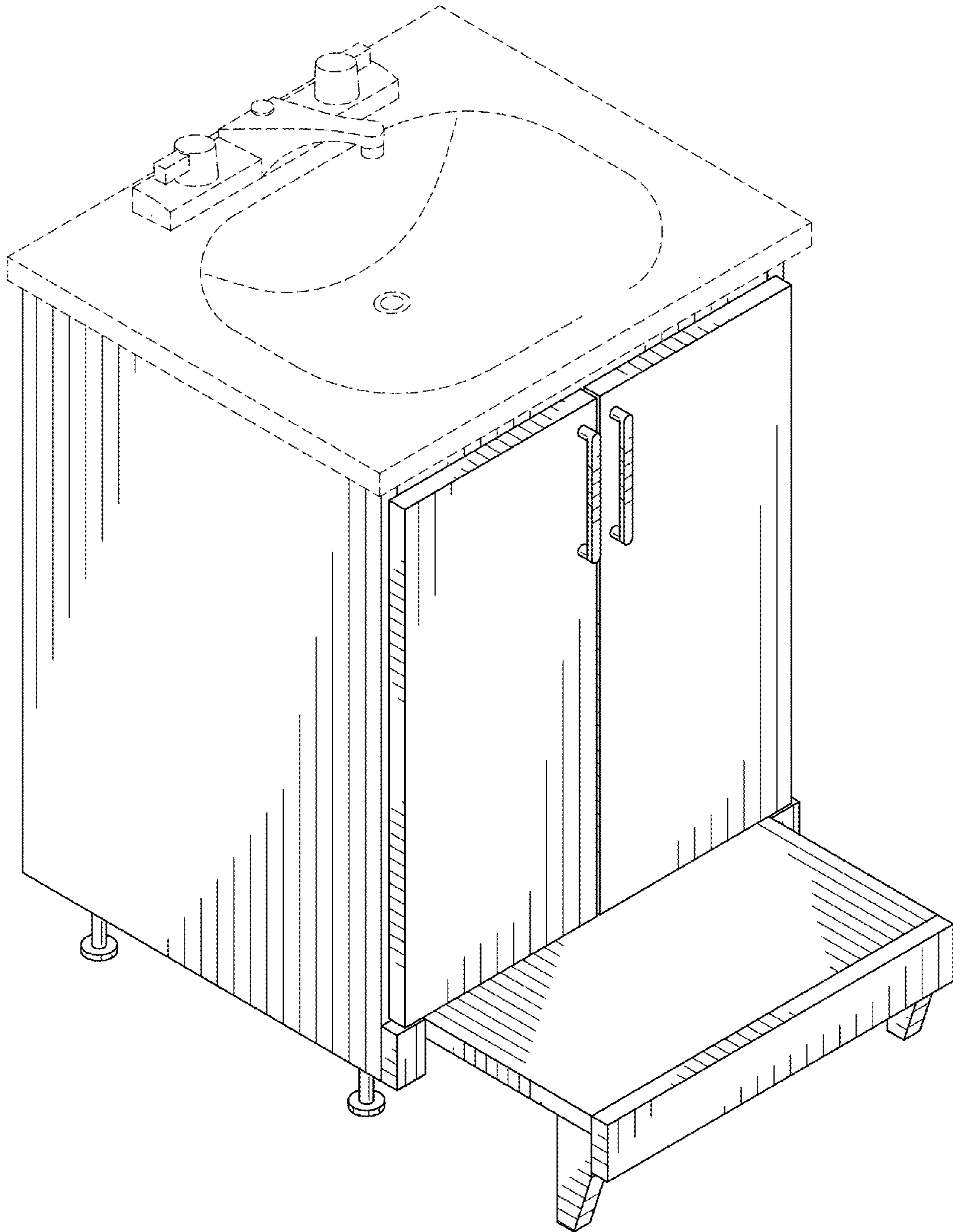


FIG. 8

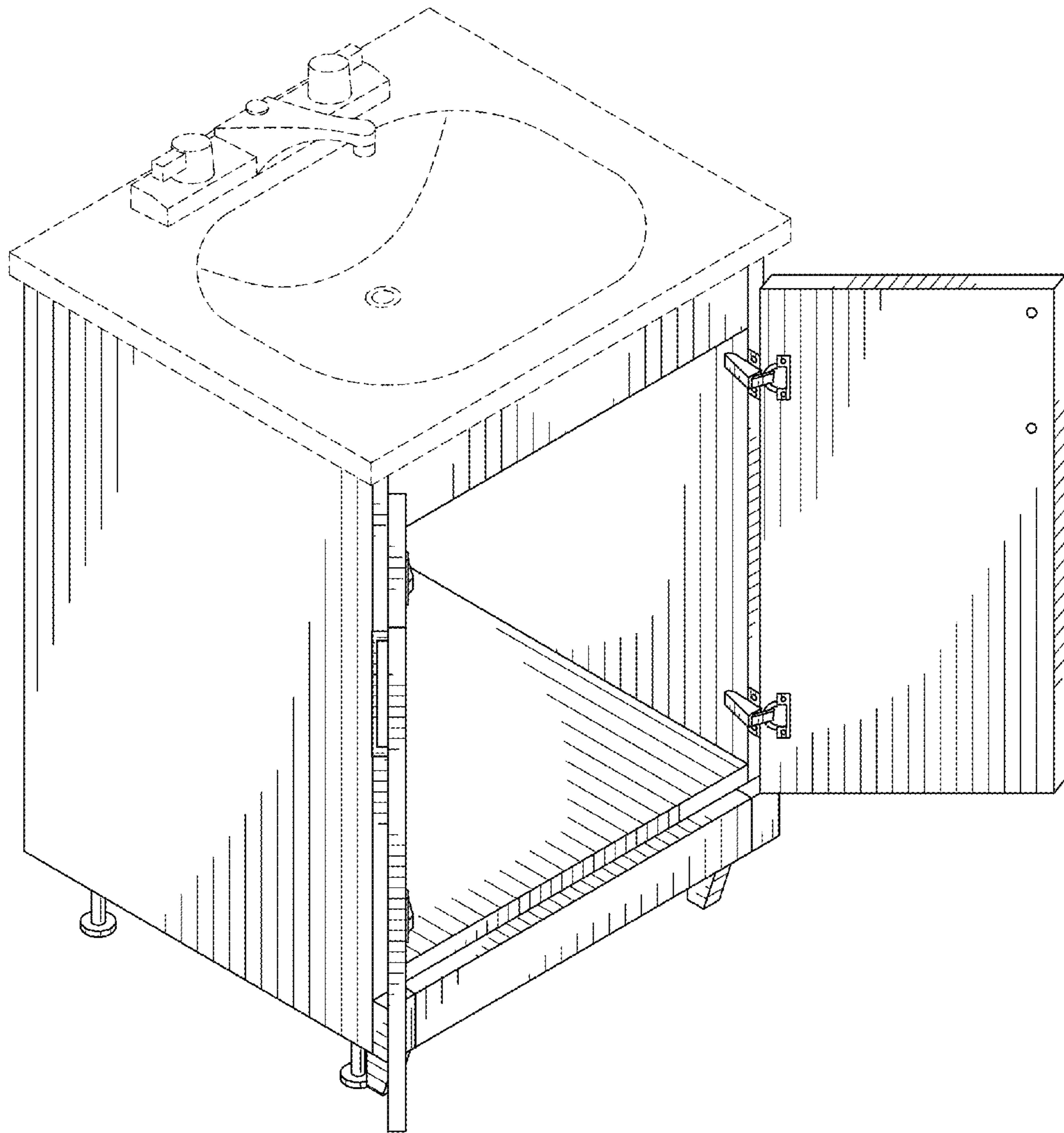


FIG. 9