



US00D731031S

(12) **United States Design Patent**
Dole et al.

(10) **Patent No.:** **US D731,031 S**
(45) **Date of Patent:** **** *Jun. 2, 2015**

- (54) **PIPE COUPLING SEGMENT**
- (71) Applicant: **Victaulic Company**, Easton, PA (US)
- (72) Inventors: **Douglas R. Dole**, Whitehouse Station, NJ (US); **Ryan D. Kuehner**, Kunkletown, PA (US); **Alan M. Yesavage**, Lenhartsville, PA (US)
- (73) Assignee: **Victaulic Company**, Easton, PA (US)
- (*) Notice: This patent is subject to a terminal disclaimer.
- (**) Term: **14 Years**
- (21) Appl. No.: **29/493,969**
- (22) Filed: **Jun. 16, 2014**
- (51) **LOC (10) Cl.** **23-01**
- (52) **U.S. Cl.**
USPC **D23/262**
- (58) **Field of Classification Search**
USPC D23/259, 260, 261, 262, 263, 264, 265, D23/266, 267, 268, 269; D8/349, 394, 396, D8/354, 355, 382; 239/428.5; 285/1, 112, 285/179, 340, 367, 404, 420; 403/300, 373; 411/5, 10; 248/65
See application file for complete search history.

- D625,785 S * 10/2010 Madara et al. D23/262
- D625,786 S * 10/2010 Bowman et al. D23/262
- D625,787 S * 10/2010 Bowman et al. D23/262
- D625,788 S * 10/2010 Madara et al. D23/262
- D626,200 S * 10/2010 Bowman et al. D23/262
- D626,201 S * 10/2010 Madara et al. D23/262
- D626,202 S * 10/2010 Porter et al. D23/262
- D628,680 S * 12/2010 Dole et al. D23/262

(Continued)

OTHER PUBLICATIONS

Style 99, Plain End Roust-A-Bout Couplings, Products, Products and Services, victaulic.com, Searched Nov. 14, 2014, <http://www.victaulic.com/en/products-services/products/style-99-plain-end-roust-a-bout-coupling/>.*

(Continued)

Primary Examiner — John Windmuller
Assistant Examiner — Steven Czyz
(74) *Attorney, Agent, or Firm* — Ballard Spahr LLP

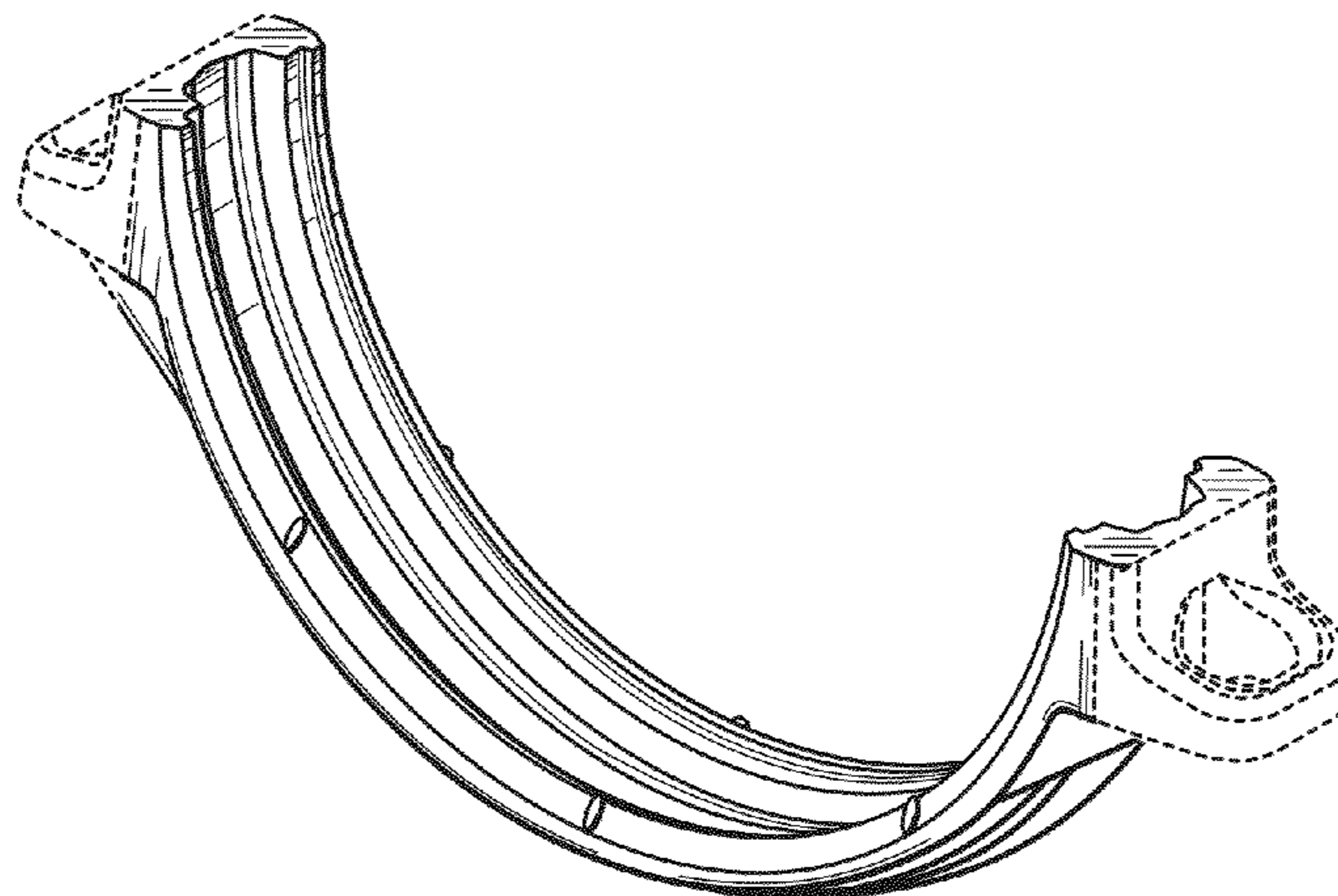
(57) **CLAIM**
The ornamental design for a pipe coupling segment, as shown and described.

DESCRIPTION

FIG. 1 is an isometric view of an embodiment of our design for a pipe coupling segment;
FIG. 2 top view of the design for the pipe coupling segment shown in FIG. 1;
FIG. 3 is a bottom view of the design for the pipe coupling segment shown in FIG. 1;
FIG. 4 is a left side view of the design for the pipe coupling segment shown in FIG. 1, the right side view being identical thereto; and,
FIG. 5 is a left end view of the design for the pipe coupling segment shown in FIG. 1, the right end view being identical thereto.
The broken lines in FIGS. 1 through 5 are for illustrative purposes only and form no part of the claimed design.

1 Claim, 2 Drawing Sheets

- (56) **References Cited**
U.S. PATENT DOCUMENTS
- D587,347 S * 2/2009 Madara et al. D23/265
- D587,348 S * 2/2009 Madara et al. D23/265
- D587,349 S * 2/2009 Madara et al. D23/265
- D590,923 S * 4/2009 Nagle et al. D23/262
- D595,813 S * 7/2009 Pierce et al. D23/262
- D595,814 S * 7/2009 Pierce et al. D23/262
- D595,815 S * 7/2009 Pierce et al. D23/262
- D598,077 S * 8/2009 Gibb et al. D23/265
- D600,326 S * 9/2009 Gibb et al. D23/265
- D616,967 S * 6/2010 Madara et al. D23/262
- D618,312 S * 6/2010 Madara et al. D23/262



(56)

References Cited

U.S. PATENT DOCUMENTS

D629,072 S * 12/2010 Madara et al. D23/262
 D629,073 S * 12/2010 Madara et al. D23/262
 D629,074 S * 12/2010 Shah et al. D23/262
 D629,075 S * 12/2010 Madara D23/262
 D629,076 S * 12/2010 Madara et al. D23/262
 D629,077 S * 12/2010 Porter et al. D23/262
 D629,078 S * 12/2010 Dole et al. D23/262
 D629,079 S * 12/2010 Dole et al. D23/262
 D629,080 S * 12/2010 Dole et al. D23/262
 D629,081 S * 12/2010 Dole et al. D23/262
 D629,082 S * 12/2010 Dole et al. D23/262
 D629,083 S * 12/2010 Dole et al. D23/262
 D629,084 S * 12/2010 Dole et al. D23/262
 D629,496 S * 12/2010 Madara et al. D23/262
 D629,497 S * 12/2010 Shah et al. D23/262
 D633,600 S * 3/2011 Madara D23/262
 D634,817 S * 3/2011 Madara et al. D23/262
 D636,470 S * 4/2011 Dole et al. D23/262
 D636,471 S * 4/2011 Dole et al. D23/262
 D636,854 S * 4/2011 Dole et al. D23/262
 D651,290 S * 12/2011 Shah et al. D23/262
 D653,310 S * 1/2012 Texier D23/262
 D665,056 S * 8/2012 Cuvo et al. D23/262
 D665,057 S * 8/2012 Madara et al. D23/262
 D665,058 S * 8/2012 Cuvo et al. D23/262
 D665,059 S * 8/2012 Madara et al. D23/262
 D665,060 S * 8/2012 Wilk et al. D23/262
 D665,061 S * 8/2012 Dole et al. D23/262
 D665,888 S * 8/2012 Wilk et al. D23/262
 D665,889 S * 8/2012 Dole et al. D23/262
 D672,849 S * 12/2012 Madara et al. D23/262
 D673,248 S * 12/2012 Dole et al. D23/262
 D674,059 S * 1/2013 Cuvo et al. D23/262
 D674,060 S * 1/2013 Wilk et al. D23/262

D674,061 S * 1/2013 Cuvo et al. D23/262
 D674,062 S * 1/2013 Madara et al. D23/262
 D674,063 S * 1/2013 Wilk et al. D23/262
 D674,064 S * 1/2013 Dole et al. D23/262
 D680,629 S * 4/2013 Beagen, Jr. D23/262
 D680,630 S * 4/2013 Beagen, Jr. D23/262
 D685,884 S * 7/2013 Shah et al. D23/262
 D685,885 S * 7/2013 Shah et al. D23/262
 D685,886 S * 7/2013 Shah et al. D23/262
 D685,887 S * 7/2013 Madara et al. D23/262
 D685,888 S * 7/2013 Madara et al. D23/262
 D685,889 S * 7/2013 Madara et al. D23/262
 RE44,444 E * 8/2013 Dole et al. 29/525.02
 2005/0223770 A1 * 10/2005 Dole 72/122
 2008/0129048 A1 * 6/2008 Nagle et al. 285/412
 2008/0202185 A1 * 8/2008 Dole 72/115
 2009/0127846 A1 * 5/2009 Dole et al. 285/24
 2009/0200799 A1 * 8/2009 Dole et al. 285/341
 2009/0243289 A1 * 10/2009 Madara et al. 285/341
 2010/0148493 A1 * 6/2010 Madara et al. 285/24
 2013/0127160 A1 * 5/2013 Bancroft et al. 285/349
 2014/0070529 A1 * 3/2014 Bancroft et al. 285/337
 2014/0246852 A1 * 9/2014 Gibb et al. 285/337
 2014/0333062 A1 * 11/2014 Biery et al. 285/81

OTHER PUBLICATIONS

Style 31, Plain End Roust-A-Bout Couplings, Products, Products and Services, victaulic.com, Searched Nov. 14, 2014, <http://www.victaulic.com/en/products-services/products/style-31-awwa-coupling/>.*
 Style 09n, Plain End Roust-A-Bout Couplings, Products, Products and Services, victaulic.com, Searched Nov. 14, 2014, <http://www.victaulic.com/en/products-services/products/firelock-ez-rigid-coupling-style-009n/>.*

* cited by examiner

FIG. 1

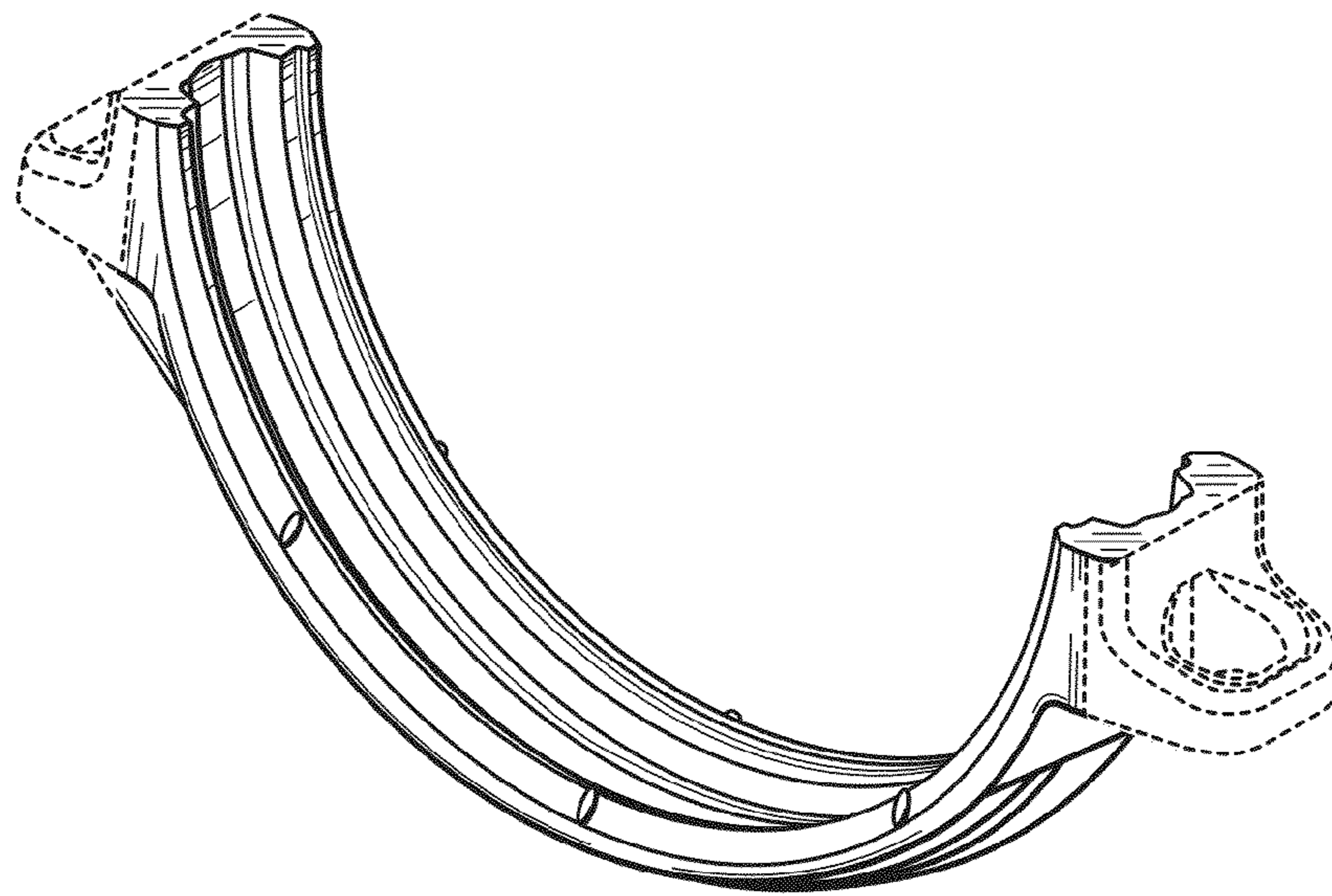


FIG. 2



FIG. 3

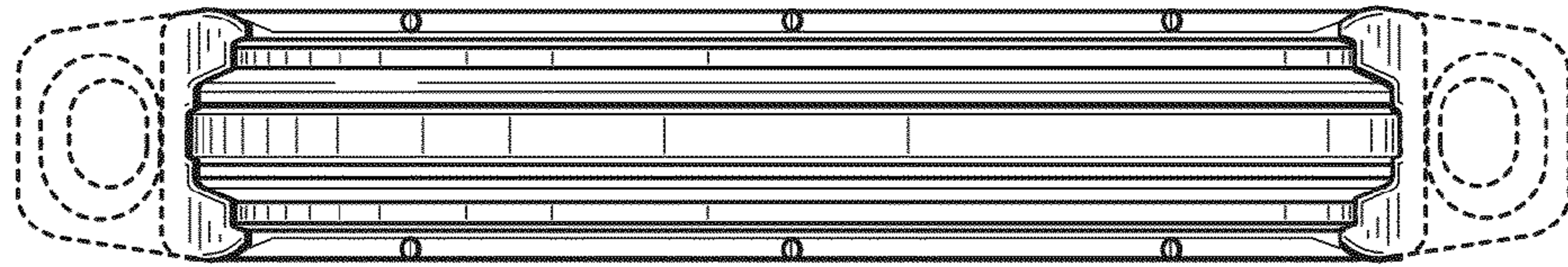


FIG. 4

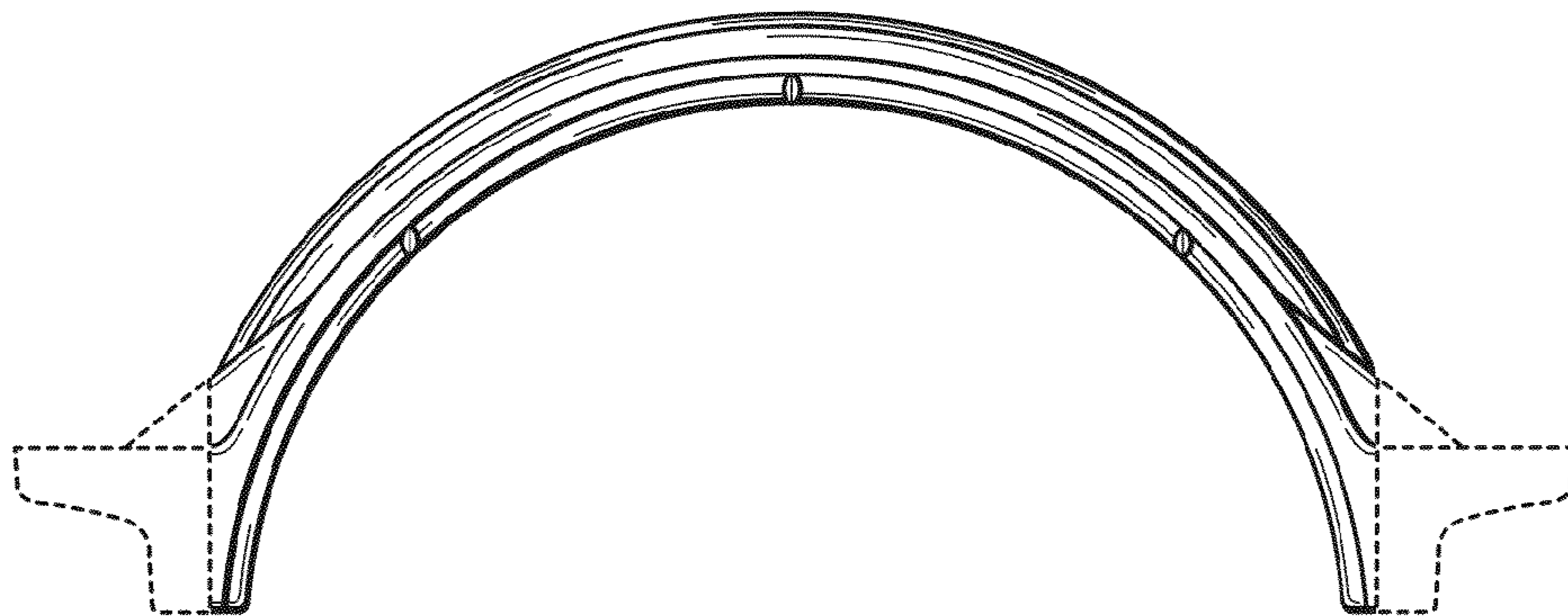


FIG. 5

