



US00D731030S

(12) **United States Design Patent**  
**Tyler**

(10) **Patent No.:** **US D731,030 S**  
(45) **Date of Patent:** **\*\* Jun. 2, 2015**

(54) **SEWAGE DRAIN TUBE CAP**  
(71) Applicant: **Dustin Tyler**, Des Moines, IA (US)  
(72) Inventor: **Dustin Tyler**, Des Moines, IA (US)  
(\*\*) Term: **14 Years**  
(21) Appl. No.: **29/488,515**  
(22) Filed: **Apr. 21, 2014**  
(51) **LOC (10) Cl.** ..... **23-01**  
(52) **U.S. Cl.**  
USPC ..... **D23/260**  
(58) **Field of Classification Search**  
USPC ..... D23/259, 260, 261, 262, 263, 264, 265;  
138/89, 89.3, 96 R, 96 T; D15/5, 7, 9,  
D15/150, 151, 152; D9/447, 452, 453;  
4/286, 287, 289, 293, 295; 405/118,  
405/119  
See application file for complete search history.

(56) **References Cited**  
U.S. PATENT DOCUMENTS  
D255,145 S \* 5/1980 Nederman ..... D23/262  
D288,778 S 3/1987 Giannuzzi  
D301,687 S 6/1989 Cassidy et al.  
(Continued)

*Primary Examiner* — Eric Goodman  
*Assistant Examiner* — Steven Czyz  
(74) *Attorney, Agent, or Firm* — McKee, Voorhees & Sease,  
P.L.C.

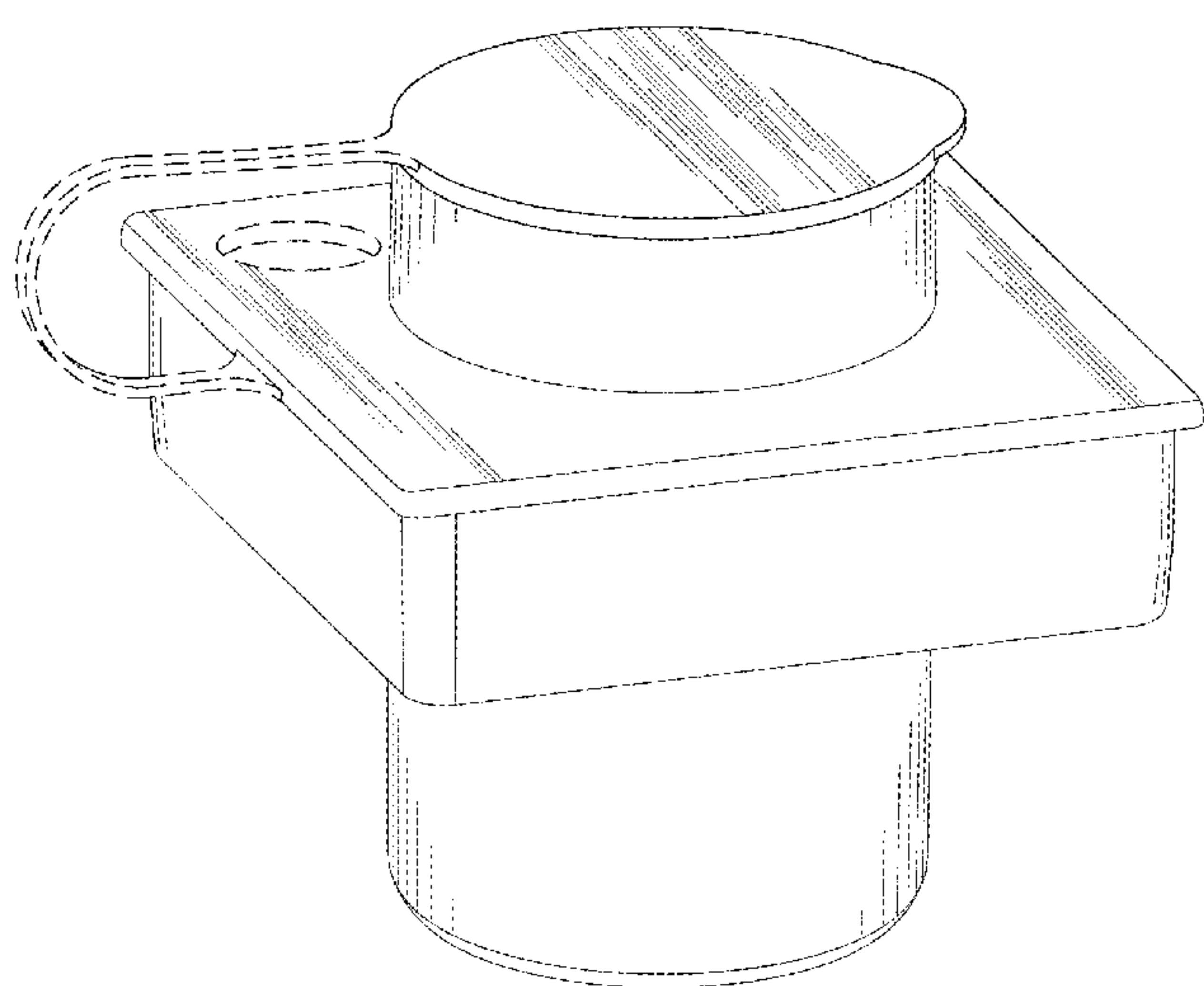
(57) **CLAIM**  
I claim the ornamental design for a sewage drain tube cap,  
substantially as shown.

**DESCRIPTION**

FIG. 1 is a top perspective view of the sewage drain tube cap  
of the invention with the cap on according to Applicant's  
design.

FIG. 2 is a top view of the sewage drain tube cap of the  
invention with the cap on according to Applicant's design.  
FIG. 3 is a bottom view of the sewage drain tube cap of the  
invention with the cap on according to Applicant's design.  
FIG. 4 is a left side view of the sewage drain tube cap of the  
invention with the cap on according to Applicant's design.  
FIG. 5 is a front side view of the sewage drain tube cap of the  
invention with the cap on according to Applicant's design.  
FIG. 6 is a rear side view of the sewage drain tube cap of the  
invention with the cap on according to Applicant's design.  
FIG. 7 is a top perspective view of the sewage drain tube cap  
of the invention with the cap off according to Applicant's  
design.  
FIG. 8 is a bottom perspective view of the sewage drain tube  
cap of the invention with the cap off according to Applicant's  
design.  
FIG. 9 is a top view of the sewage drain tube cap of the  
invention with the cap off according to Applicant's design.  
FIG. 10 is a bottom view of the sewage drain tube cap of the  
invention with the cap off according to Applicant's design.  
FIG. 11 is a left side view of the sewage drain tube cap of the  
invention with the cap off according to Applicant's design.  
FIG. 12 is a front side view of the sewage drain tube cap of the  
invention with the cap off according to Applicant's design;  
and,  
FIG. 13 is a rear side view of the sewage drain tube cap of the  
invention with the cap off according to Applicant's design.  
Views of the right side of the sewage drain tube cap of the  
invention with the cap on and with the cap off have been  
omitted since the right side is the mirror image to the left side.  
The broken lines of the figures are for the purpose of illus-  
trating unclaimed portions of the sewage drain tube cap of the  
invention and such broken lines form no part of the claimed  
design.

**1 Claim, 8 Drawing Sheets**



(56)

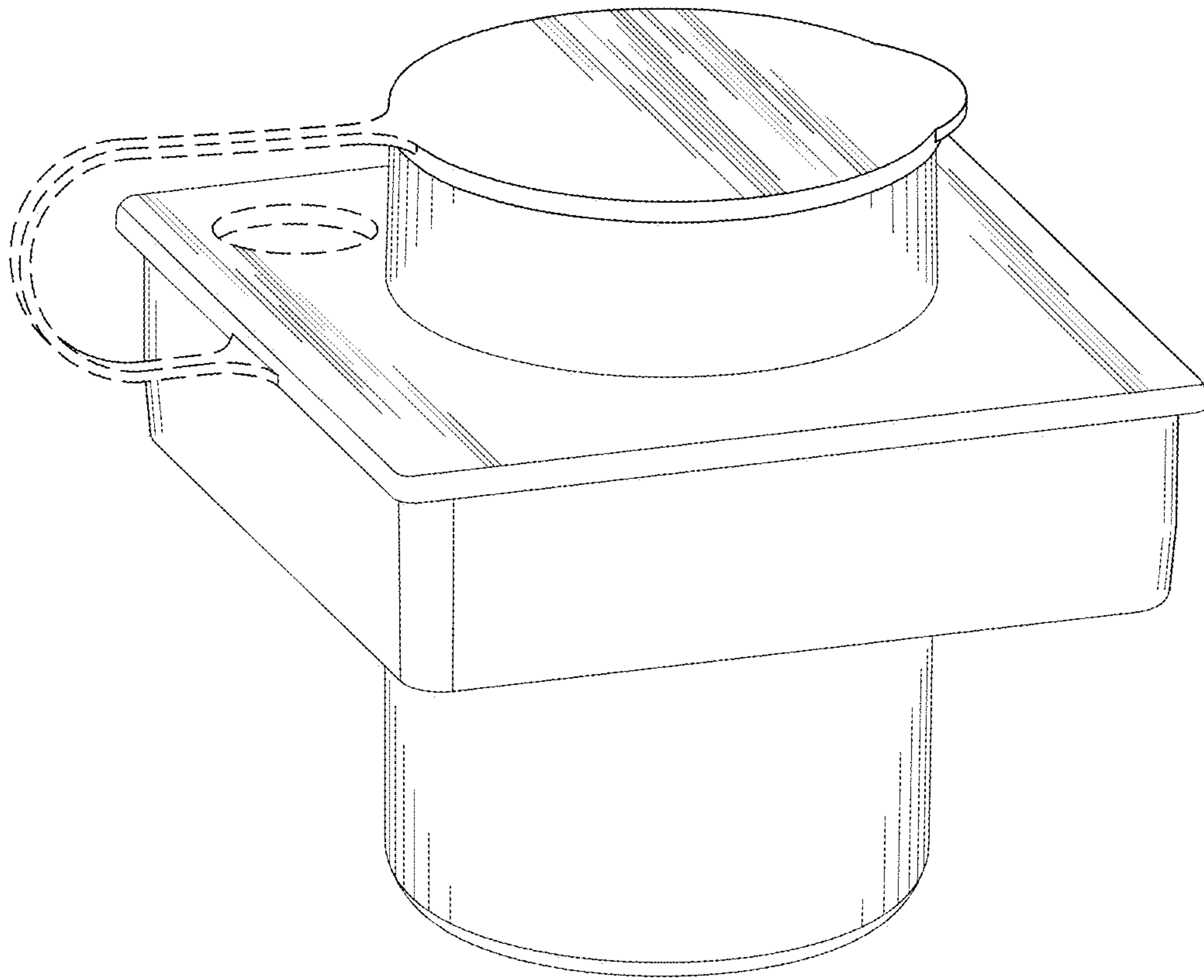
References Cited

U.S. PATENT DOCUMENTS

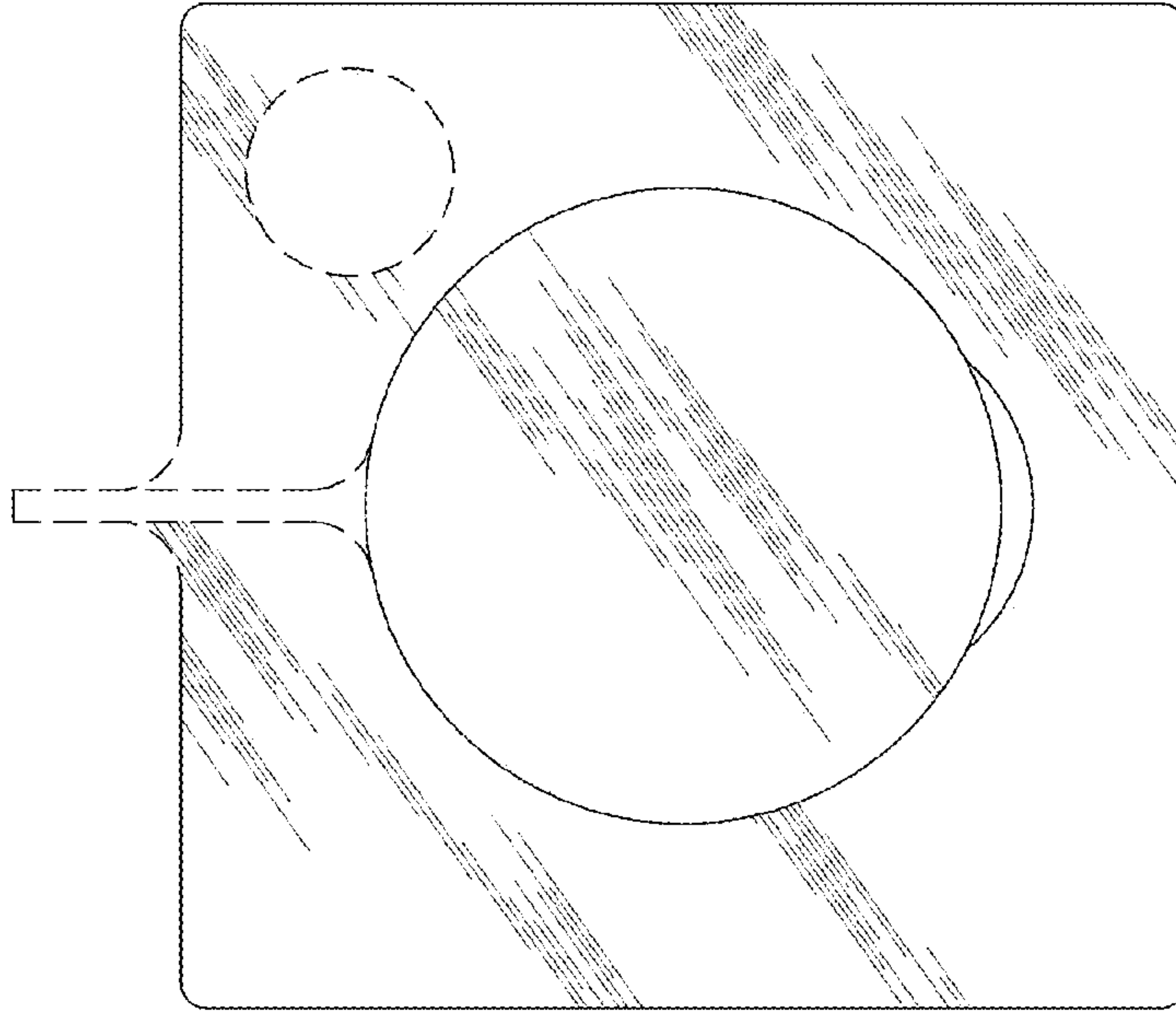
D319,189 S 8/1991 Glick et al.  
 D336,681 S \* 6/1993 Vickers ..... D23/262  
 D363,657 S 10/1995 Kassardjian et al.  
 D382,984 S 8/1997 Junell  
 D424,440 S \* 5/2000 Wilkinson et al. .... D9/446  
 D451,212 S \* 11/2001 Merrick ..... D25/135  
 D451,614 S \* 12/2001 Merrick ..... D25/135  
 6,390,007 B1 \* 5/2002 Walker ..... 114/183 R  
 D460,681 S 7/2002 Edwards  
 D465,036 S 10/2002 Spruill  
 D466,468 S \* 12/2002 Watson ..... D12/218  
 D509,915 S 9/2005 Rosian  
 7,191,722 B1 \* 3/2007 Plost ..... 114/197  
 D540,669 S 4/2007 George et al.

D547,464 S 7/2007 Petta et al.  
 D606,399 S \* 12/2009 Scuturio ..... D9/449  
 D607,325 S \* 1/2010 Rogers et al. .... D9/453  
 D610,006 S \* 2/2010 Ortell ..... D9/454  
 D617,427 S \* 6/2010 McNamara ..... D23/261  
 D622,591 S 8/2010 Biesecker et al.  
 D625,989 S 10/2010 Mancosh et al.  
 D628,047 S 11/2010 Craig  
 D632,563 S \* 2/2011 Sitabkhan et al. .... D9/435  
 D634,450 S \* 3/2011 Stover ..... D25/135  
 D642,054 S 7/2011 Samartgis  
 D655,158 S 3/2012 Drozek et al.  
 D655,796 S \* 3/2012 DeWitt et al. .... D23/269  
 D670,405 S \* 11/2012 McKenzie ..... D25/135  
 D676,745 S \* 2/2013 MacNeill et al. .... D9/443  
 D677,203 S 3/2013 Russell et al.  
 2008/0265229 A1 10/2008 DiMartino

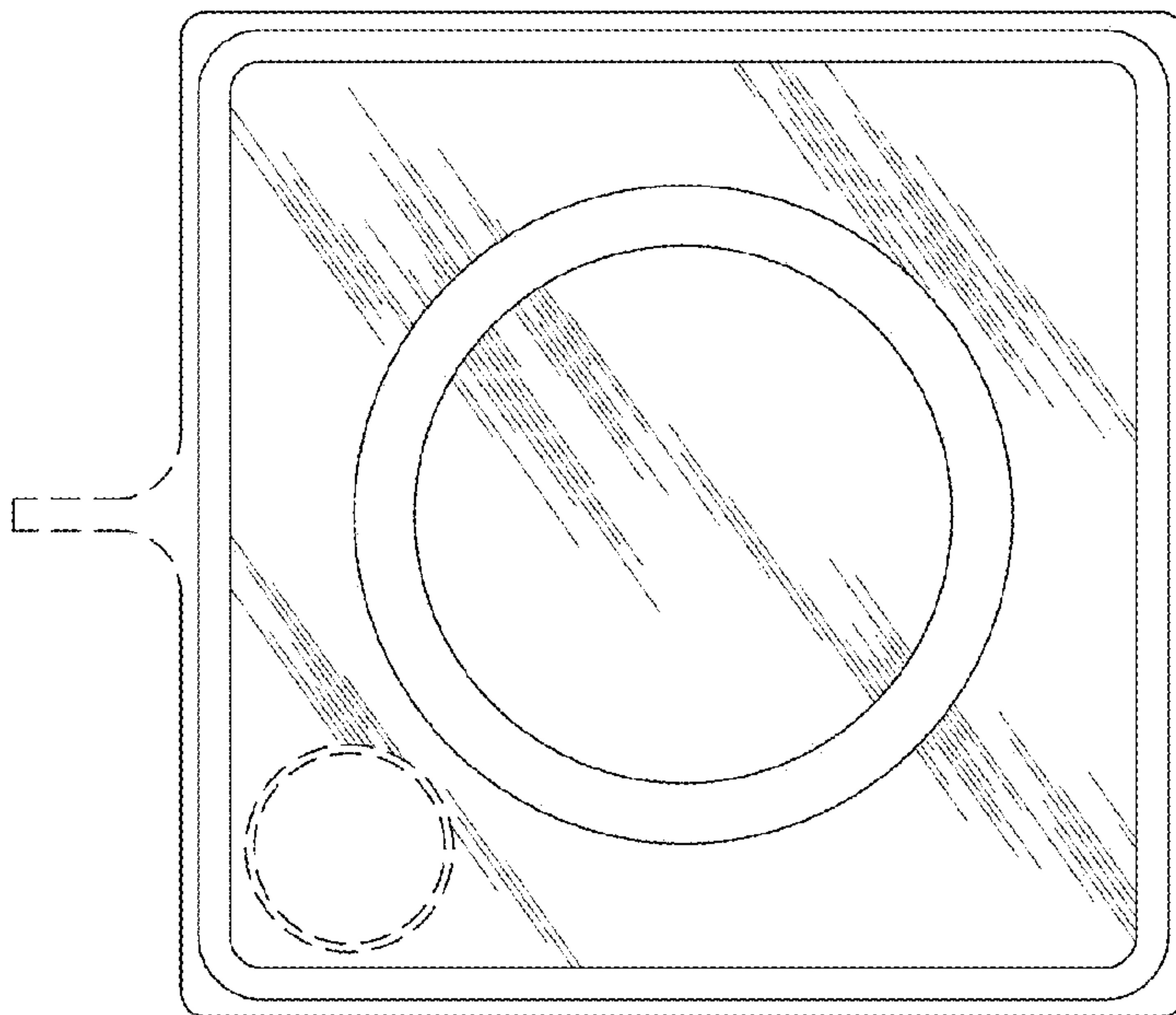
\* cited by examiner



*Fig. 1*

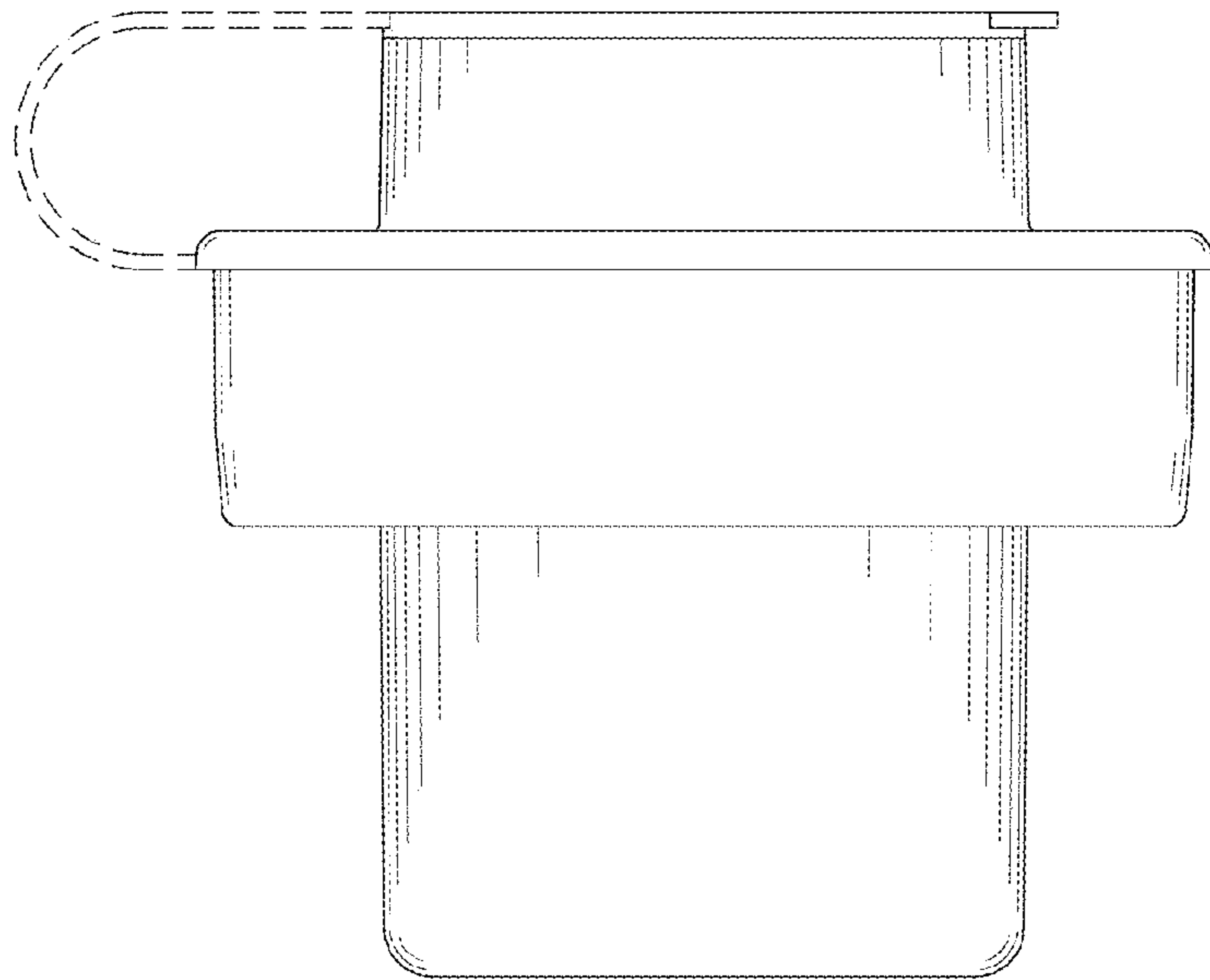


*Fig. 2*

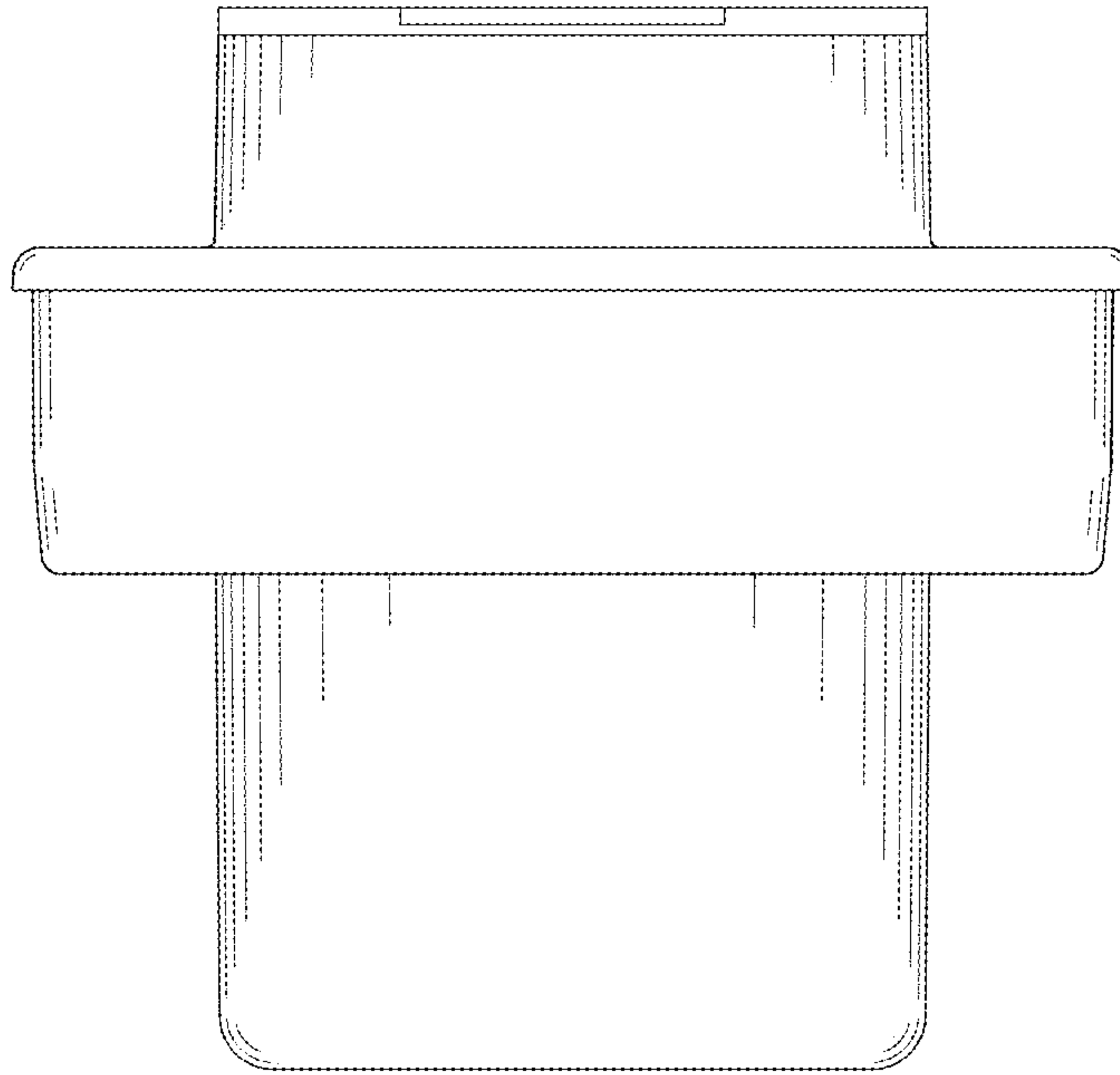


*Fig. 3*

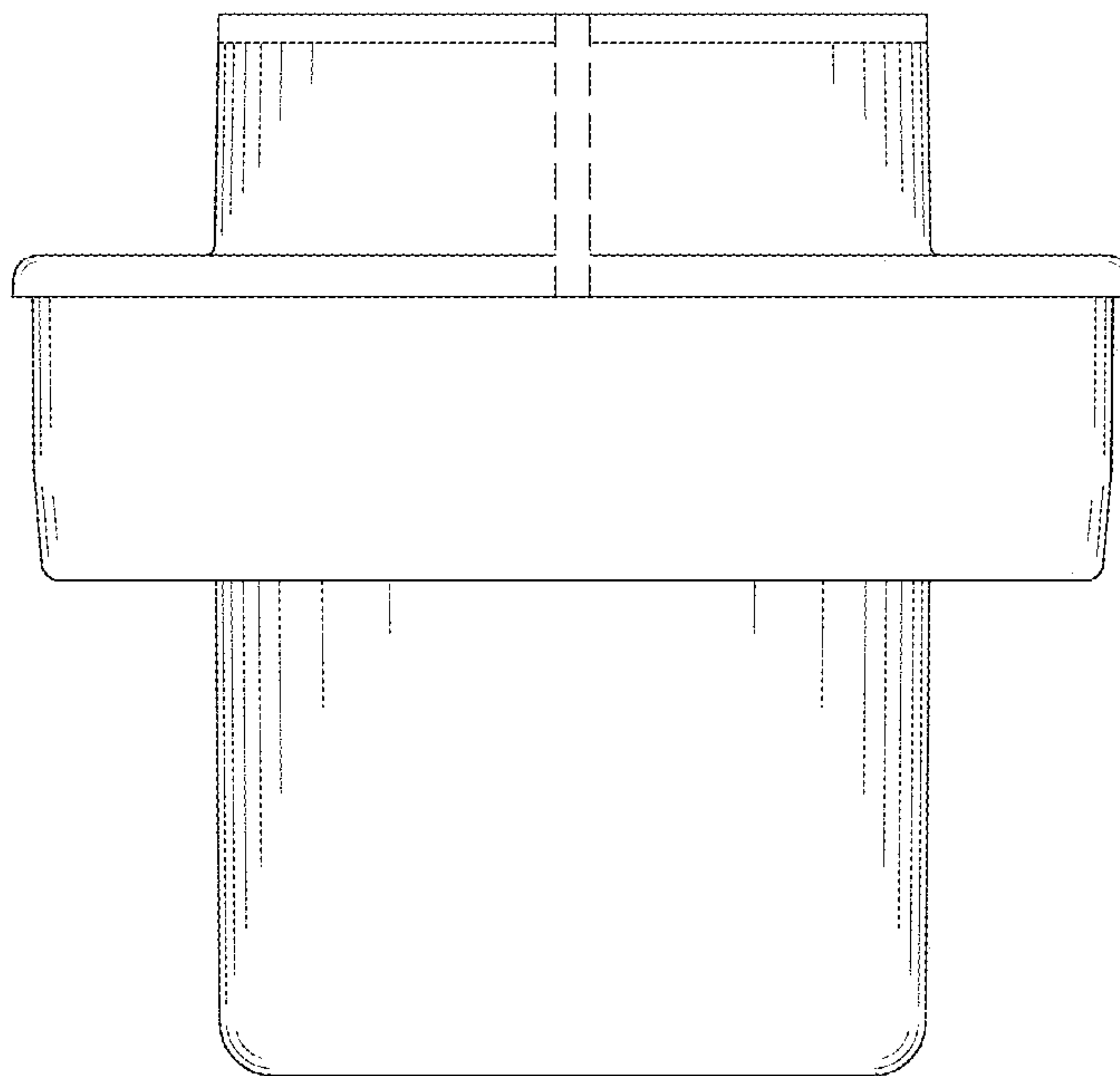




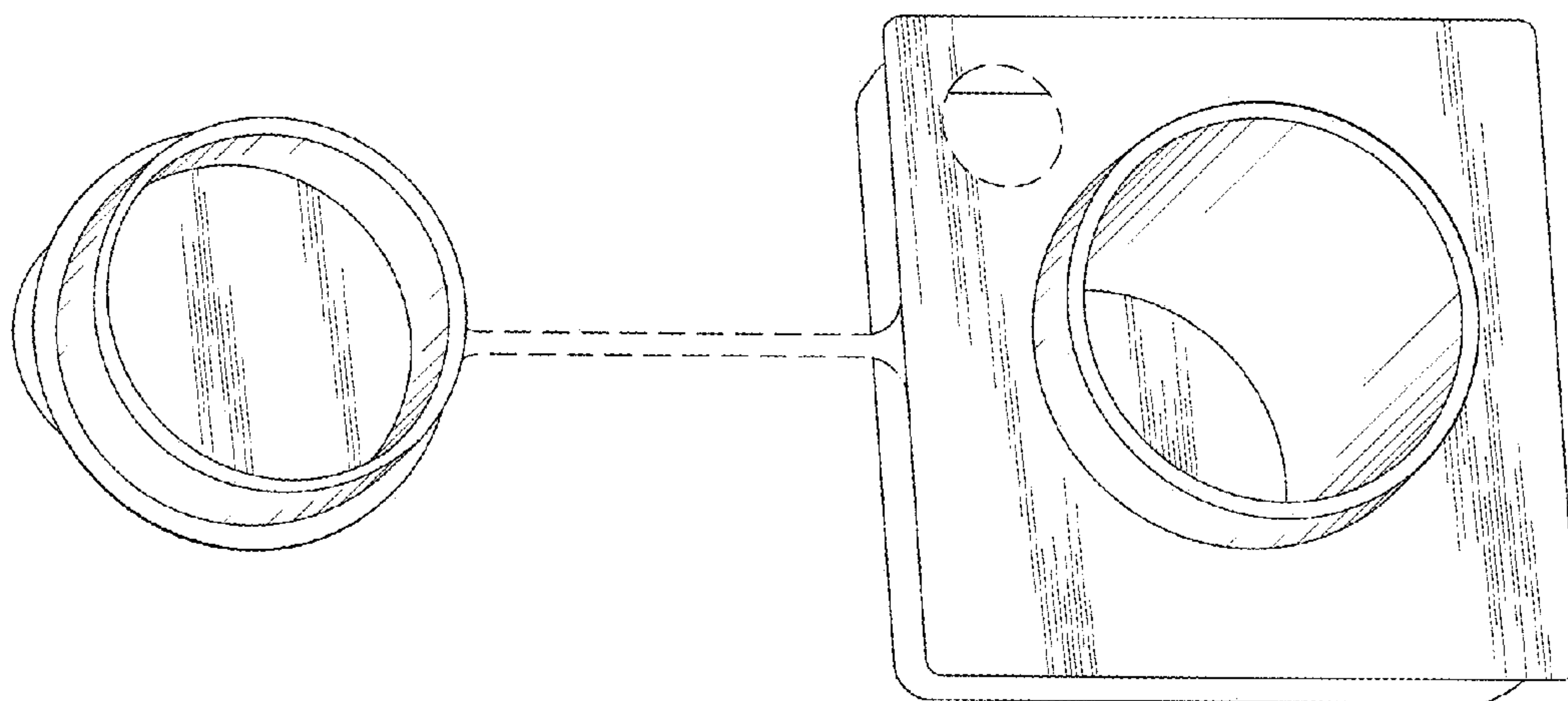
*Fig. 4*



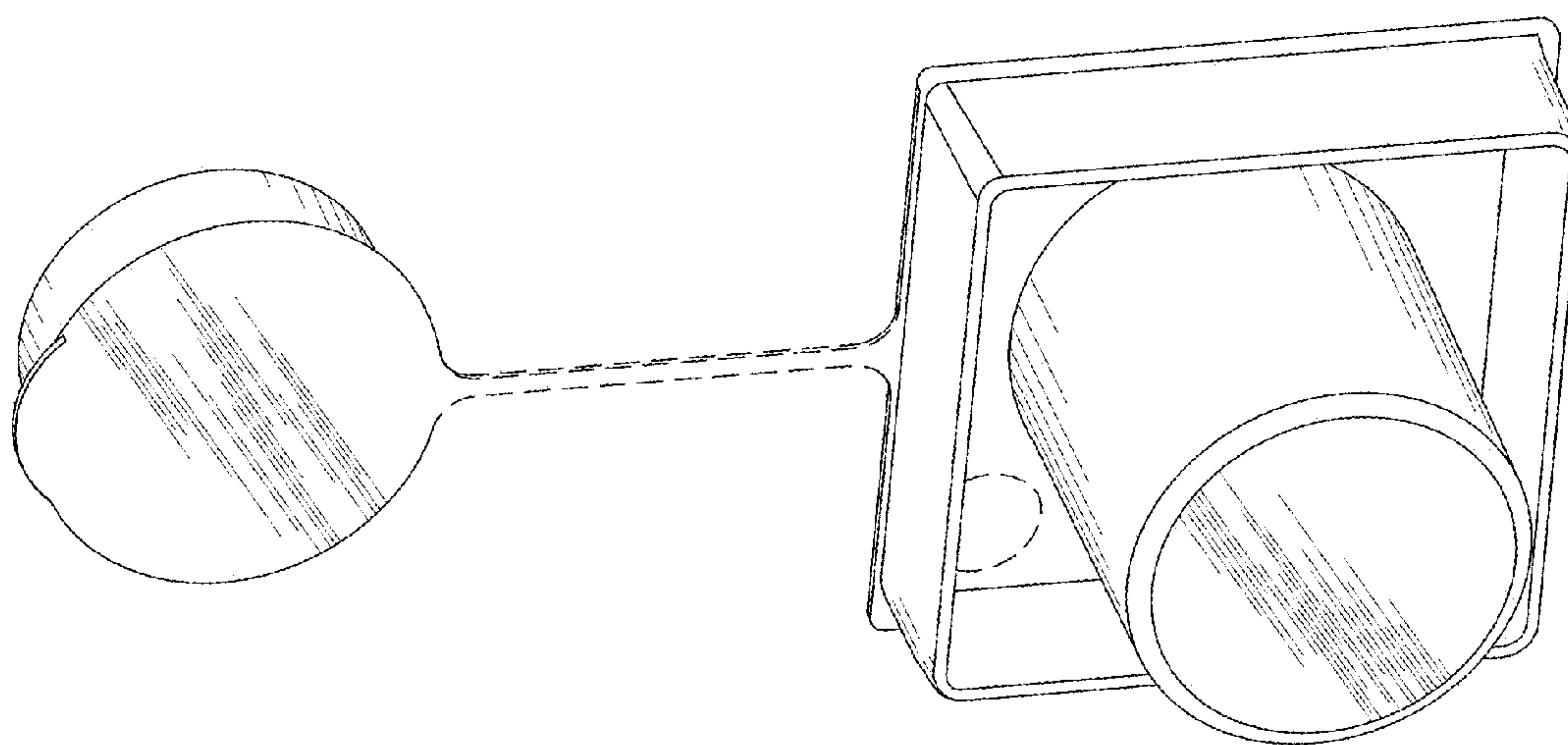
*Fig. 5*



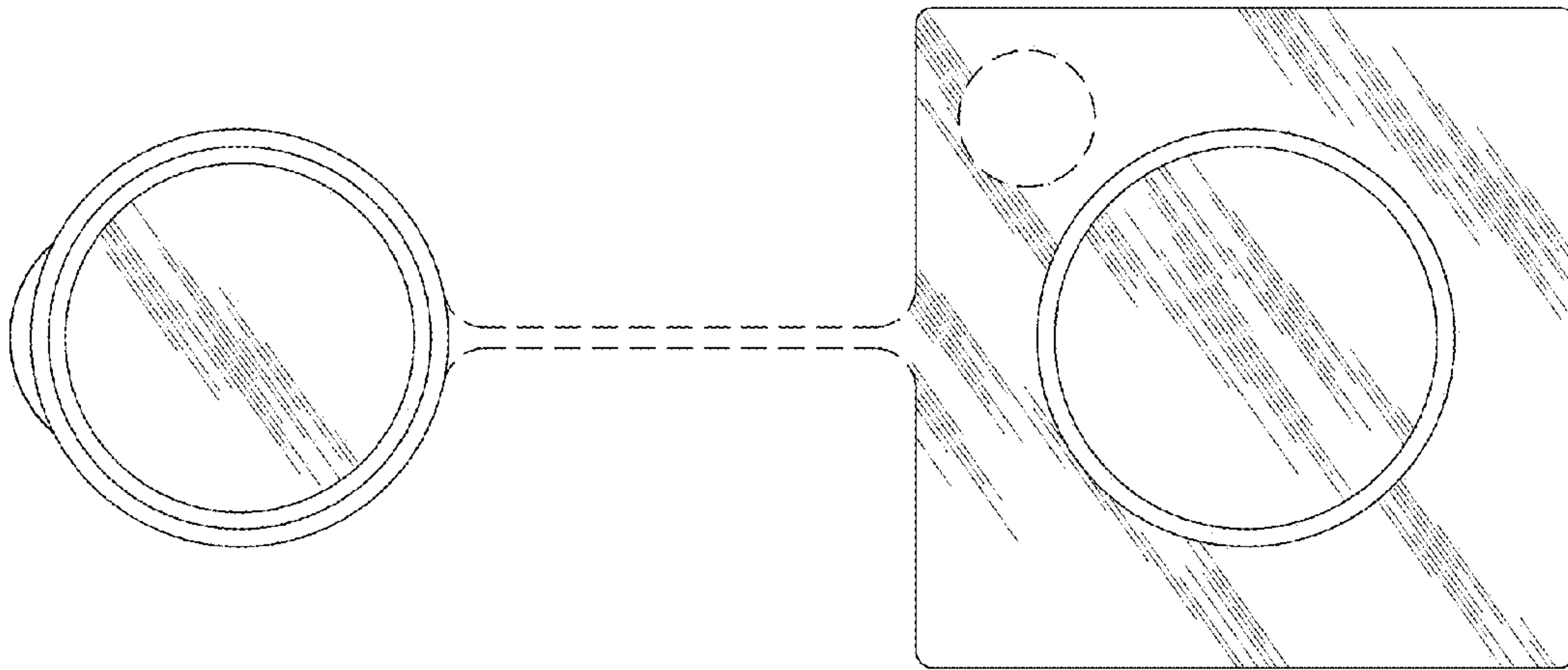
*Fig. 6*



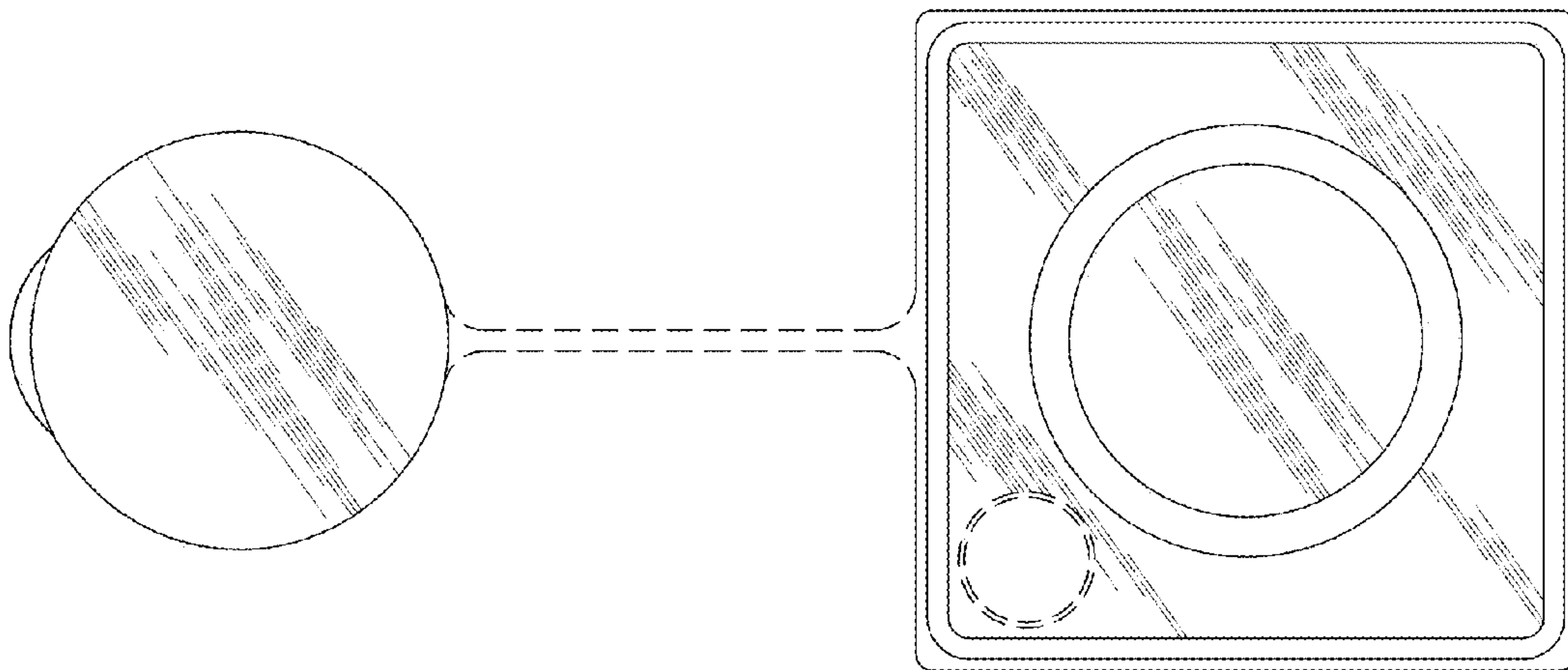
*Fig. 7*



*Fig. 8*

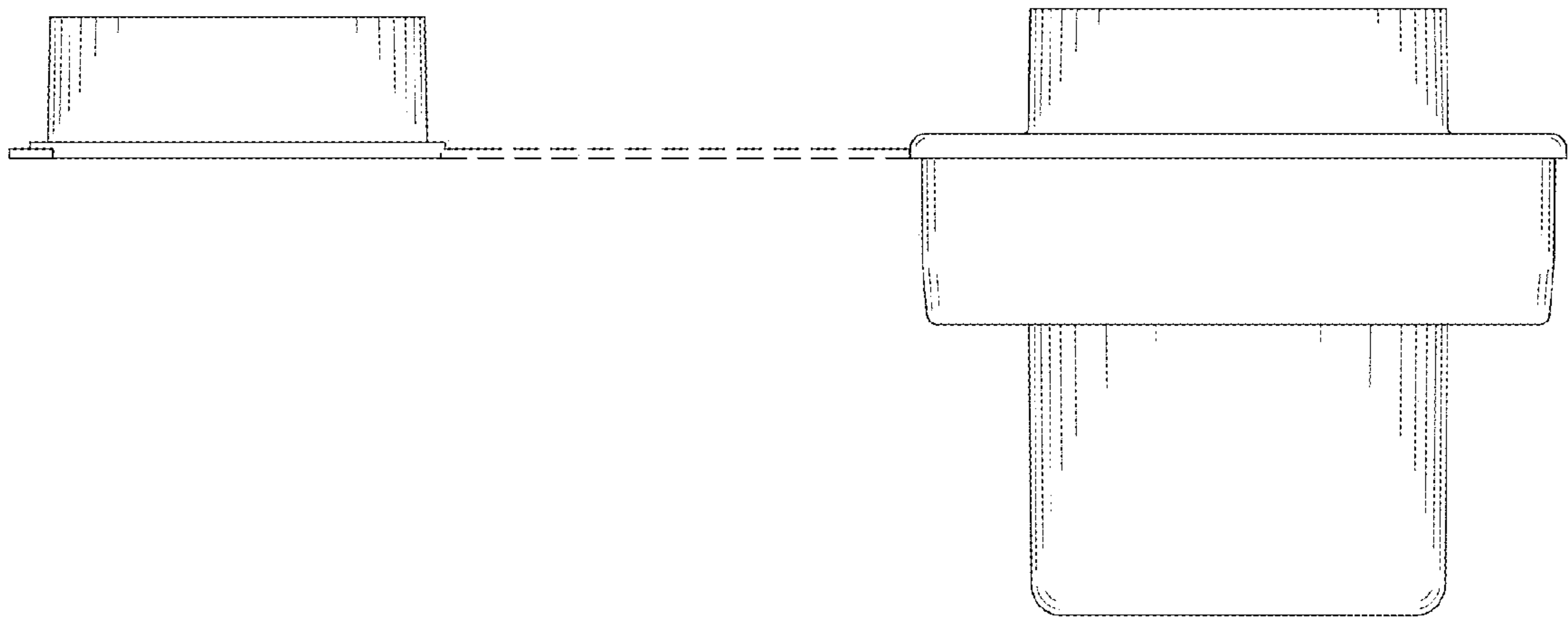


*Fig. 9*

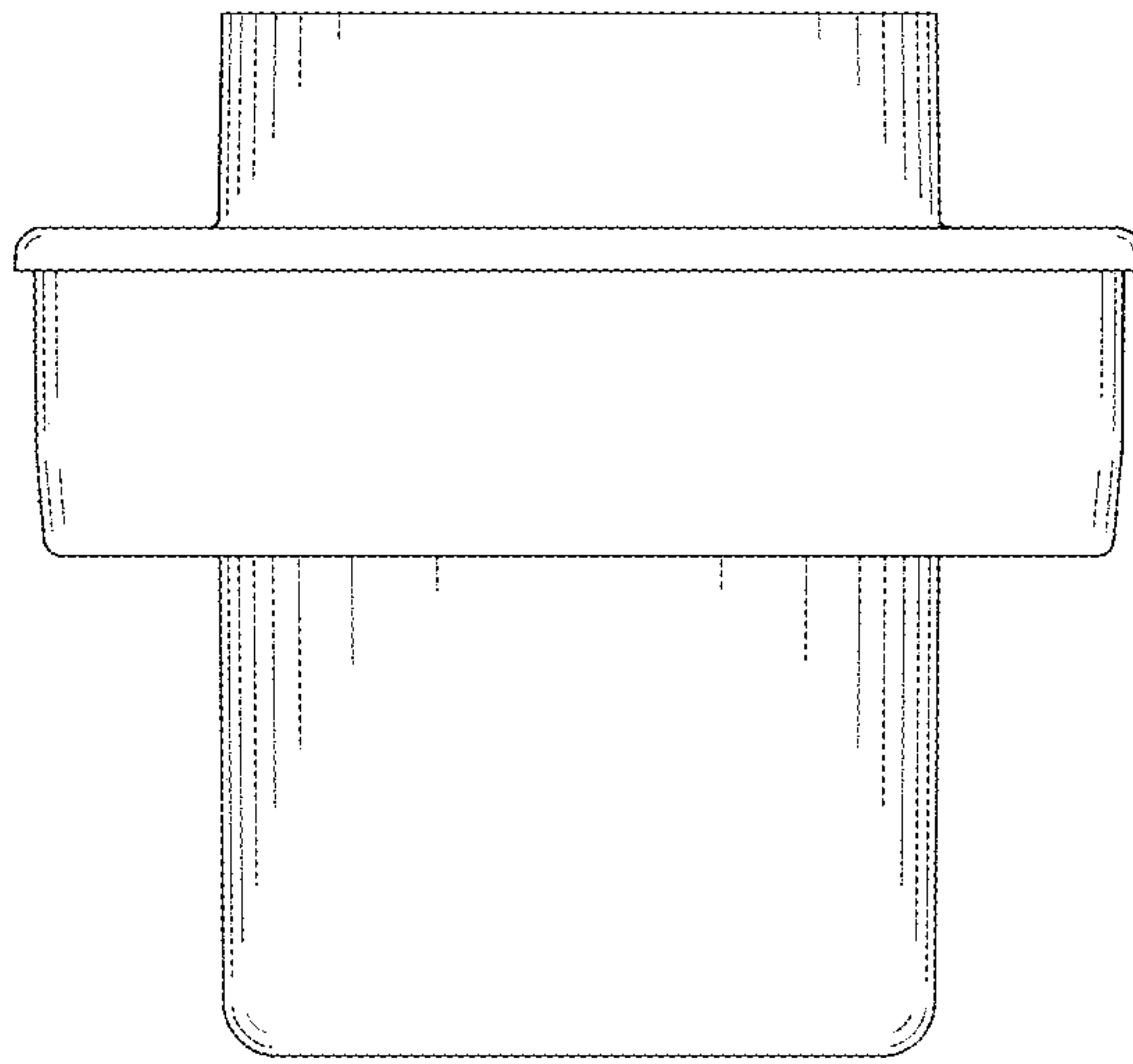


*Fig. 10*

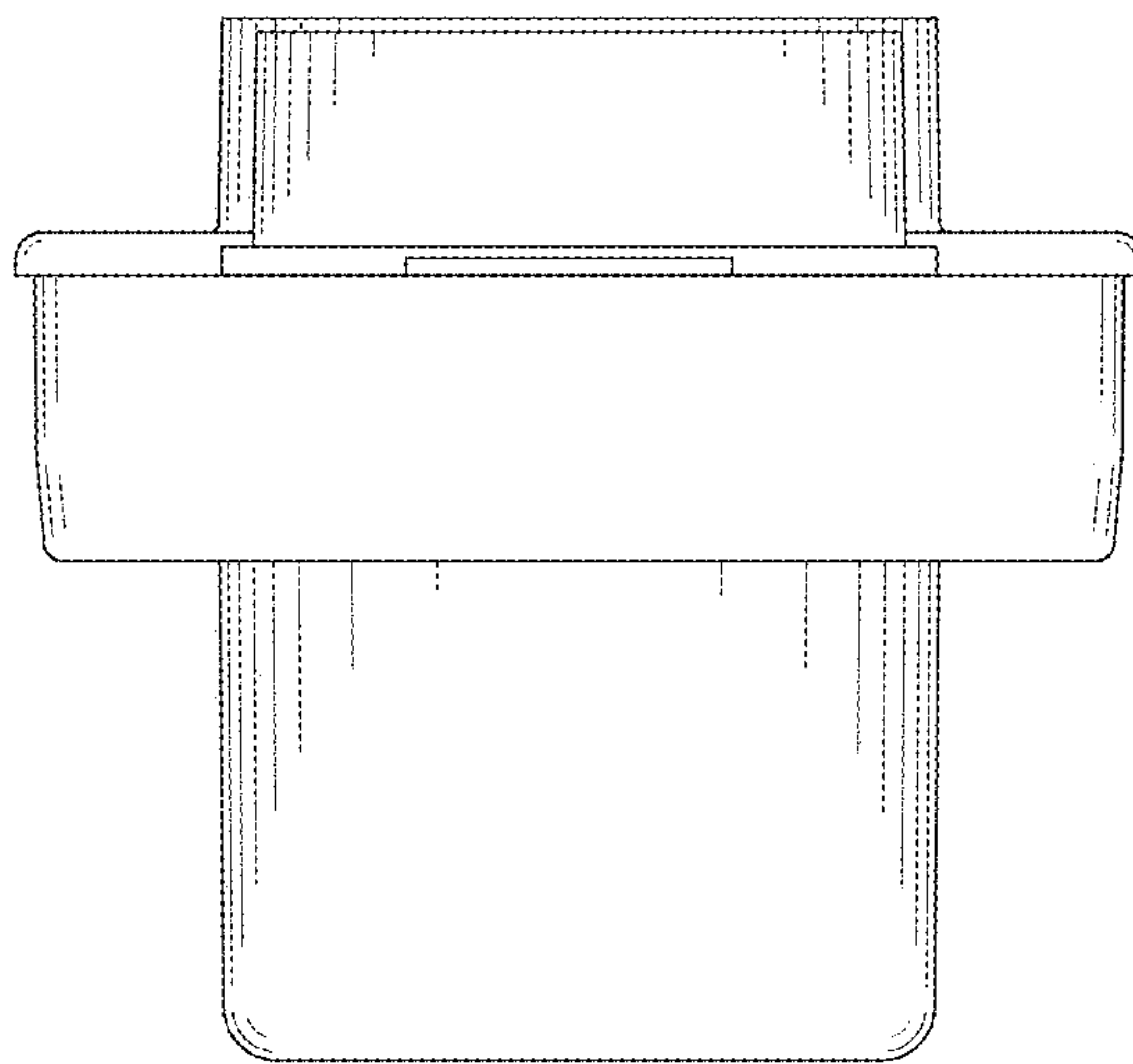




*Fig. 11*



*Fig. 12*



*Fig. 13*