



US00D731029S

(12) **United States Design Patent**
Fritz

(10) **Patent No.:** **US D731,029 S**
(45) **Date of Patent:** **** Jun. 2, 2015**

(54) **FAUCET HANDLE**

(56) **References Cited**

(71) Applicant: **Masco Corporation of Indiana,**
Indianapolis, IN (US)

U.S. PATENT DOCUMENTS

(72) Inventor: **Seth Fritz,** Carmel, IN (US)

D371,956 S * 7/1996 Steffes D23/254
D438,601 S * 3/2001 Caplow D23/252
D676,939 S * 2/2013 Kwok D23/253
D718,423 S * 11/2014 Rexach et al. D23/253

(73) Assignee: **DELTA FAUCET COMPANY,**
Indianapolis, IN (US)

* cited by examiner

(**) Term: **14 Years**

Primary Examiner — Robert Delehanty

(21) Appl. No.: **29/484,396**

(74) *Attorney, Agent, or Firm* — Edgar A. Zarins; Nirav D. Parikh

(22) Filed: **Mar. 10, 2014**

(57) **CLAIM**

The ornamental design for a faucet handle, as shown and described.

(51) **LOC (10) Cl.** **23-01**

DESCRIPTION

(52) **U.S. Cl.**
USPC **D23/253**

(58) **Field of Classification Search**

USPC D23/238, 241–243, 249–250, 253–254
CPC E03C 1/04; E03C 1/0401; E03C 1/0402;
E03C 1/0404

FIG. 1 is a perspective view of a faucet handle showing my new design;

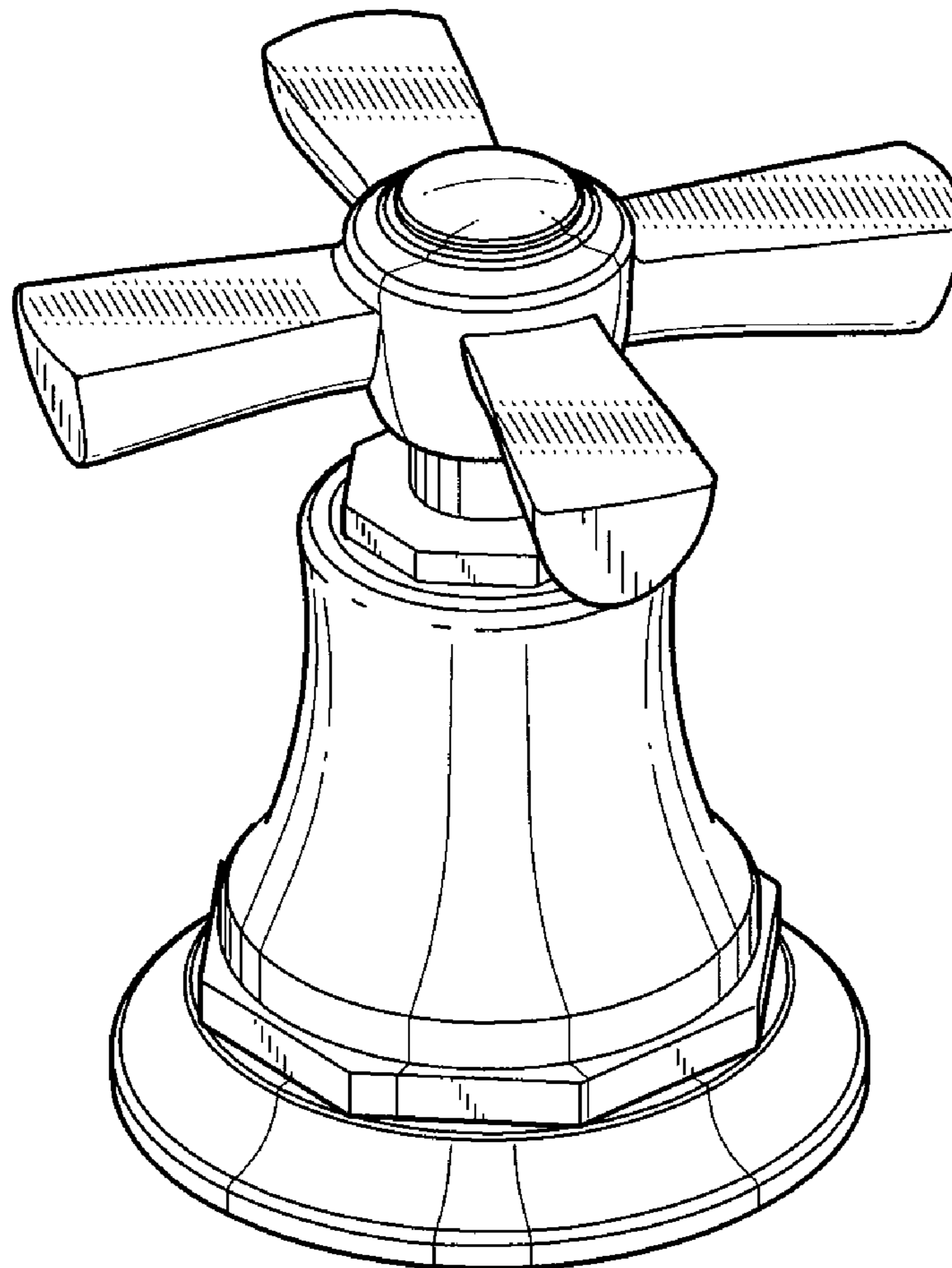
FIG. 2 is a side view thereof;

FIG. 3 is a top plan view thereof; and,

FIG. 4 is a bottom view thereof.

See application file for complete search history.

1 Claim, 1 Drawing Sheet



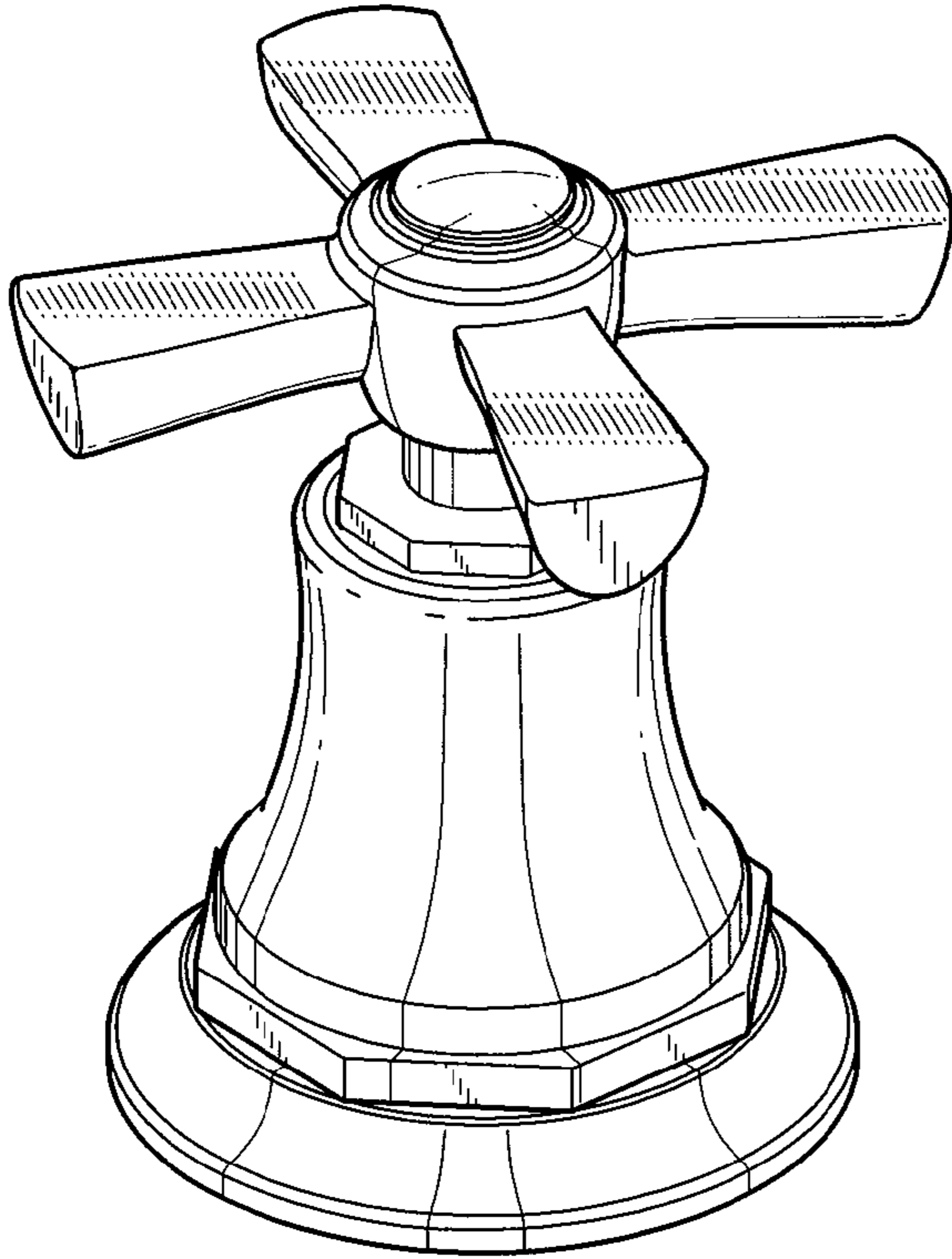


Fig-1

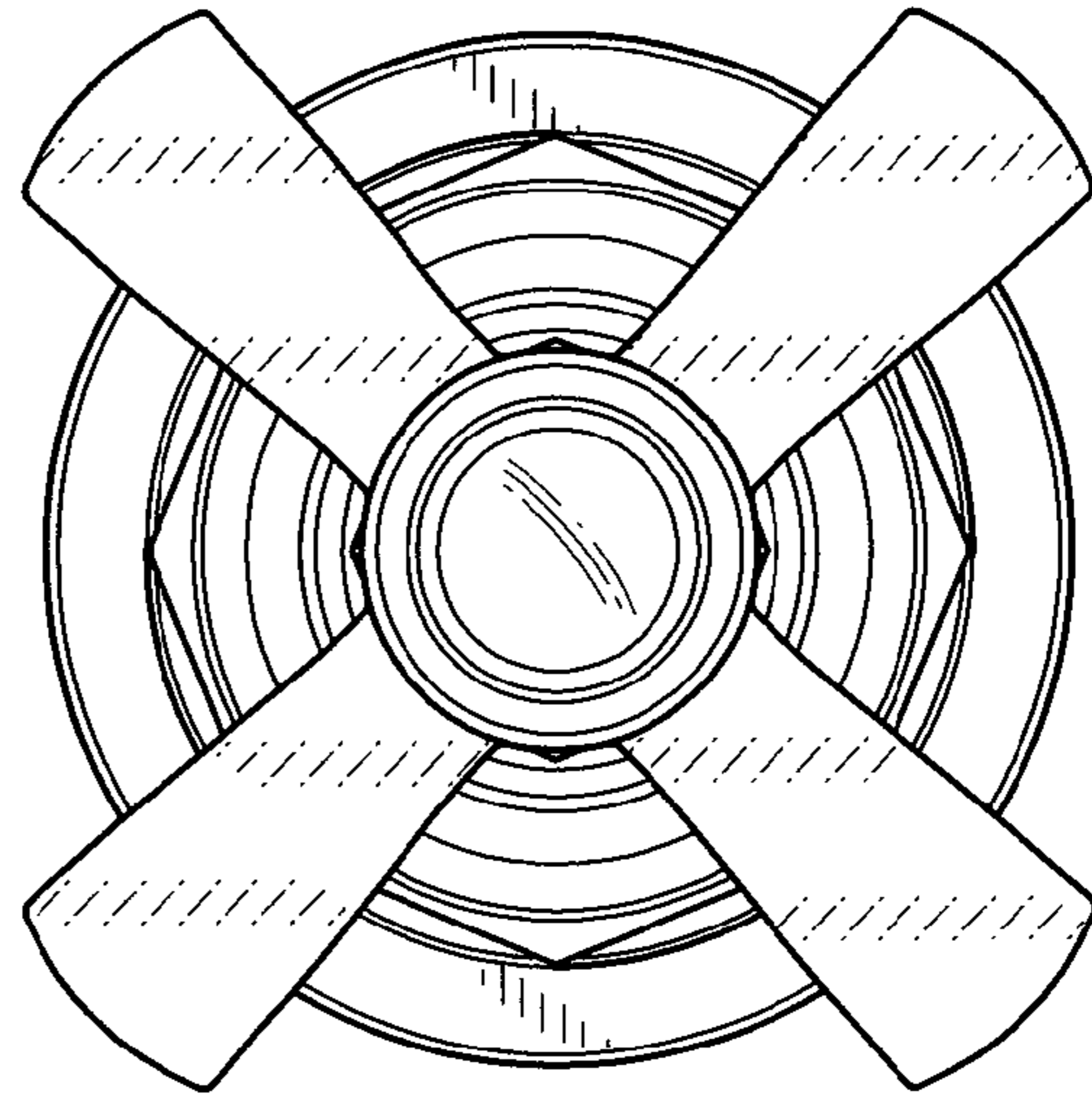


Fig-3

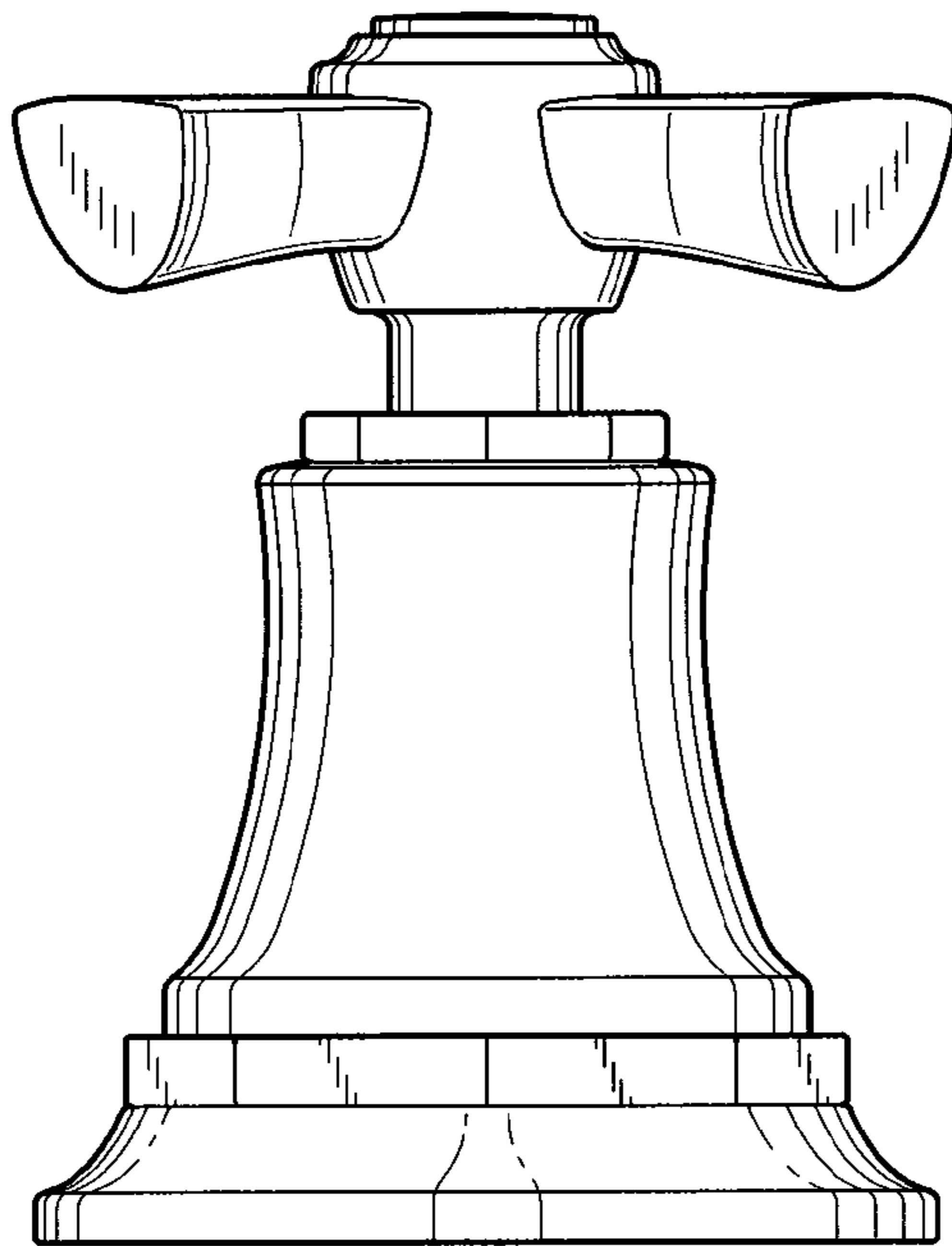


Fig-2

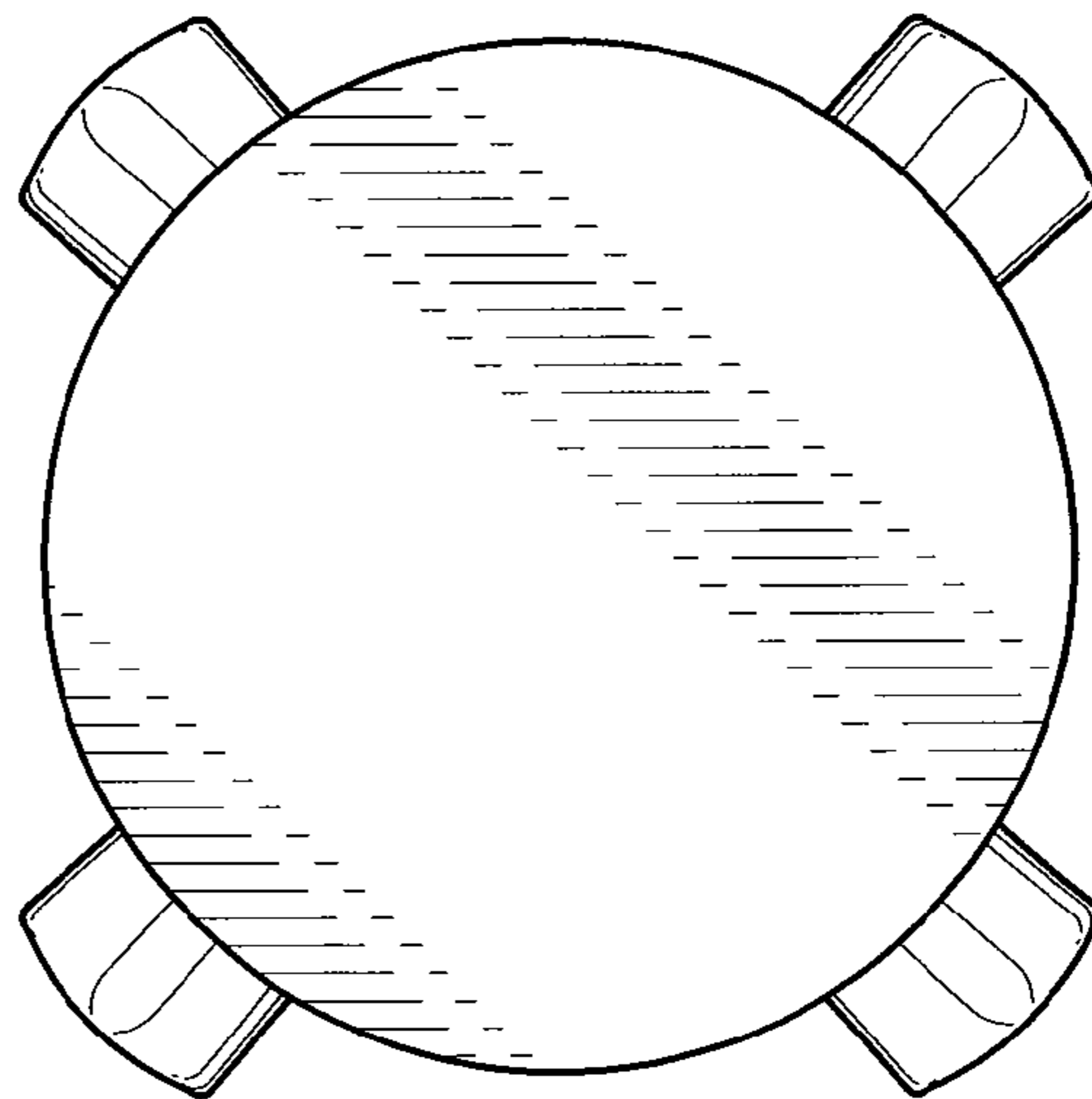


Fig-4