

US00D731027S

(12) **United States Design Patent**
Sanz Perez

(10) **Patent No.:** **US D731,027 S**
(45) **Date of Patent:** **** Jun. 2, 2015**

(54) **KNAPSACK SPRAYER**

(56) **References Cited**

U.S. PATENT DOCUMENTS

(71) Applicant: **Sistemas Y Homologaciones de Promocion Y Desarrollo, S.L.**, Liria (Valencia) (ES)

4,848,660	A *	7/1989	O'Connell	239/154
5,150,837	A *	9/1992	Ferrari	239/153
5,244,124	A *	9/1993	Raffo	222/325
D350,805	S *	9/1994	Berfield	D23/202
6,089,477	A *	7/2000	Dillon	239/653
7,007,826	B2 *	3/2006	Shapanus et al.	222/175
D643,906	S *	8/2011	Kendall et al.	D23/202
7,997,511	B2 *	8/2011	Reynolds et al.	239/152
D654,567	S *	2/2012	Yamamoto et al.	D23/225

(72) Inventor: **José Juan Sanz Perez**, Liria (ES)

(73) Assignee: **SISTEMAS Y HOMOLOGACIONES DE PROMOCION Y DESARROLLO, S.L.**, Liria (Valencia) (ES)

* cited by examiner

Primary Examiner — Robin V Webster

(74) *Attorney, Agent, or Firm* — Richard M. Goldberg

(**) Term: **14 Years**

(57) **CLAIM**

The ornamental design for a knapsack sprayer, as shown.

(21) Appl. No.: **29/491,414**

DESCRIPTION

(22) Filed: **May 21, 2014**

FIG. 1 is a rear, top perspective view of the knapsack sprayer of my design;

(51) **LOC (10) Cl.** **23-01**

(52) **U.S. Cl.**
USPC **D23/225**

FIG. 2 is a rear, bottom perspective view thereof;

FIG. 3 is a front, top perspective view thereof;

FIG. 4 is a front, bottom perspective view thereof;

FIG. 5 is a bottom plan view thereof;

FIG. 6 is a right side elevational view thereof;

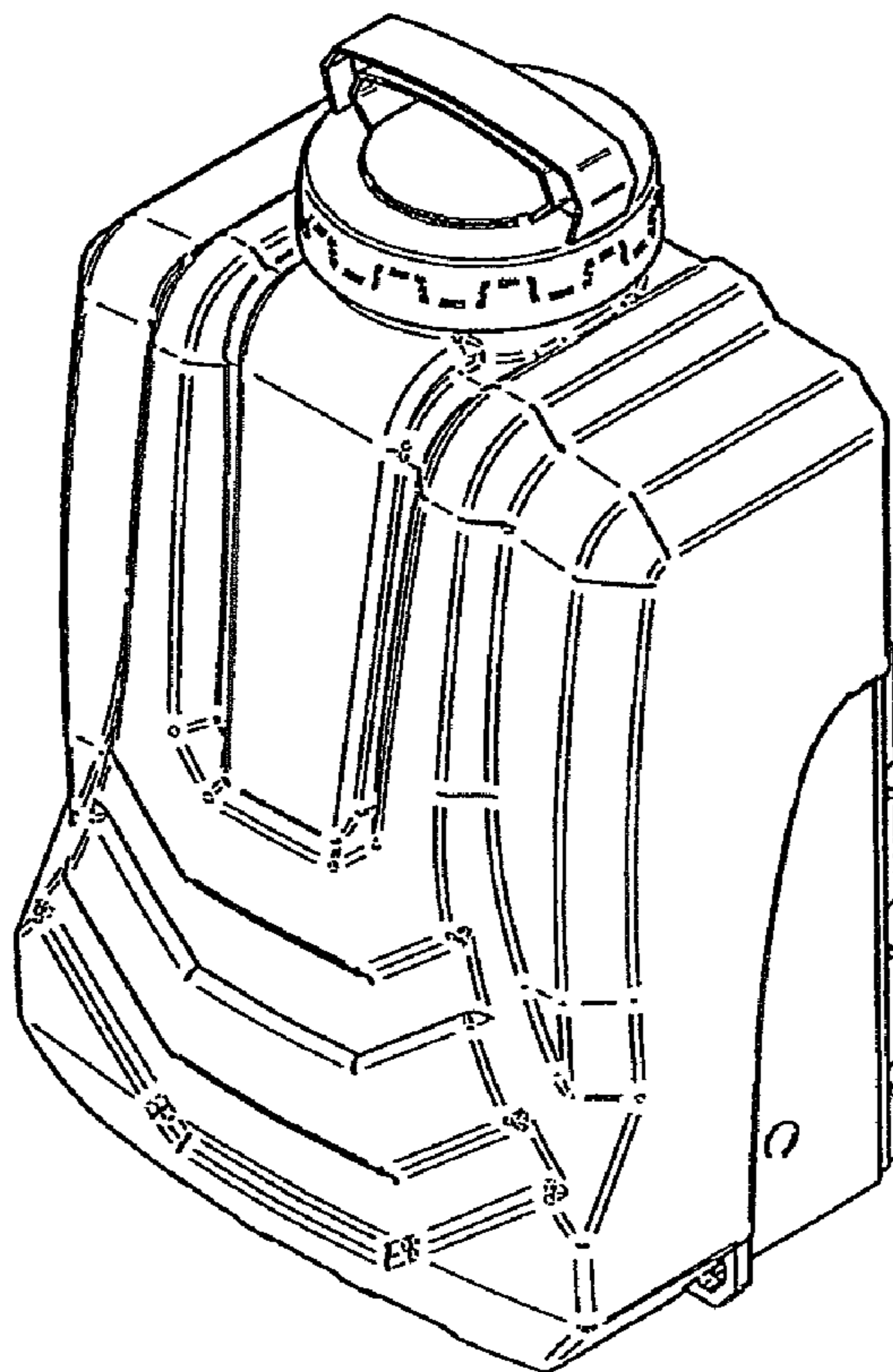
FIG. 7 is a front elevational view thereof;

FIG. 8 is a left side elevational view thereof; and,

FIG. 9 is a top plan view thereof.

(58) **Field of Classification Search**
USPC D23/213, 202, 225; 239/152-154;
222/465.1, 383.1
CPC B05B 9/08; B05B 9/0426
See application file for complete search history.

1 Claim, 2 Drawing Sheets



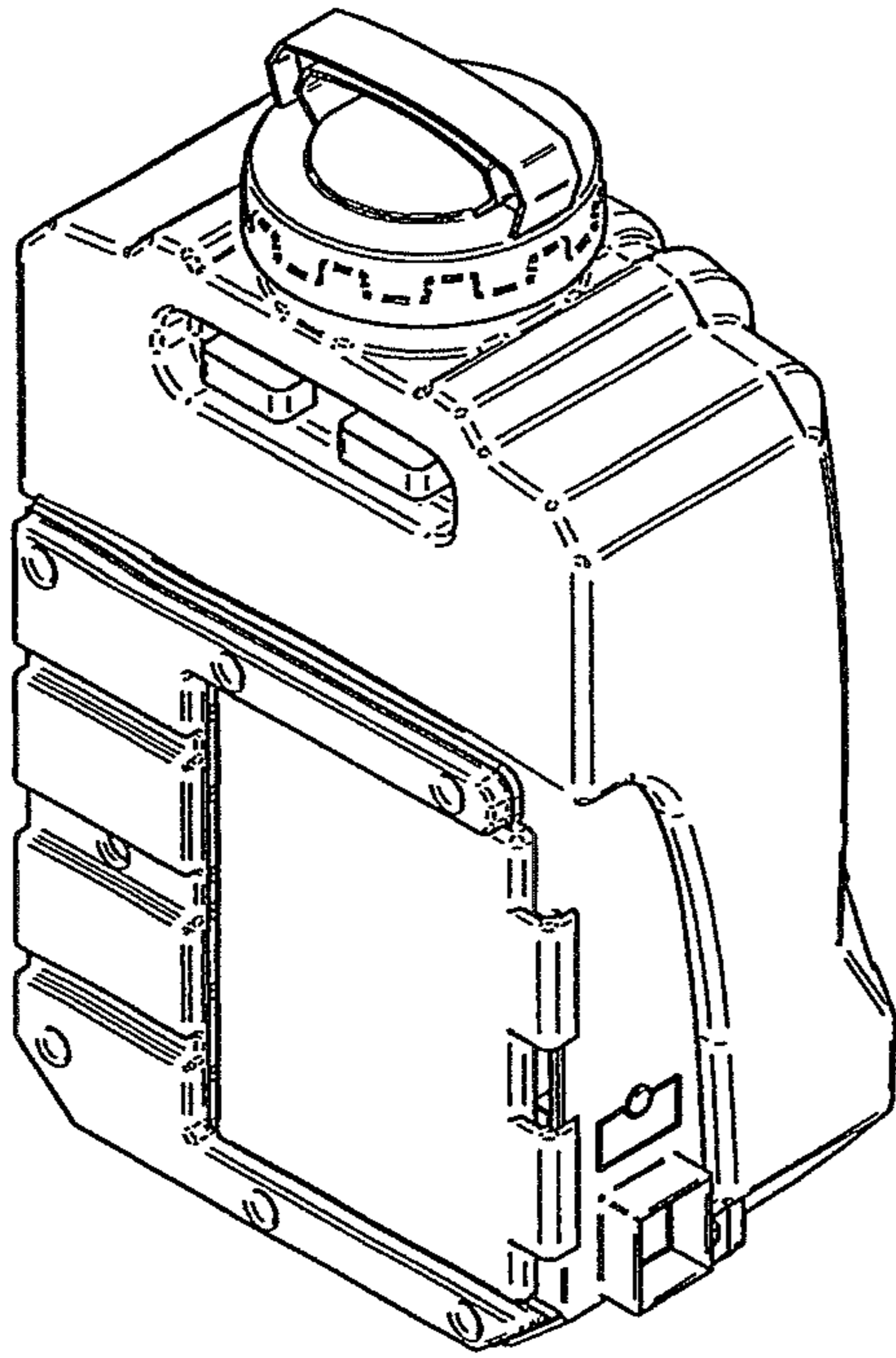


FIG. 1

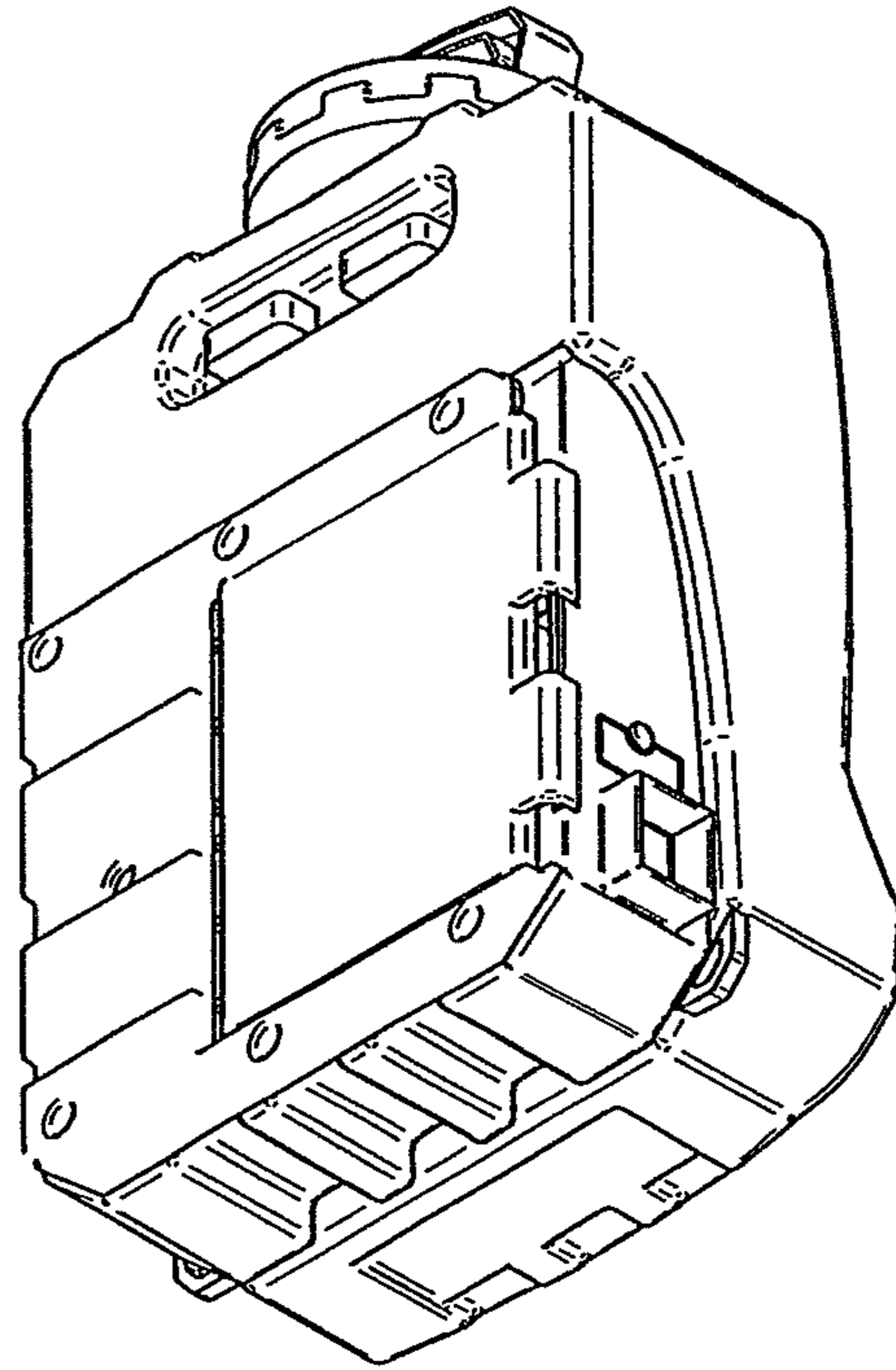


FIG. 2

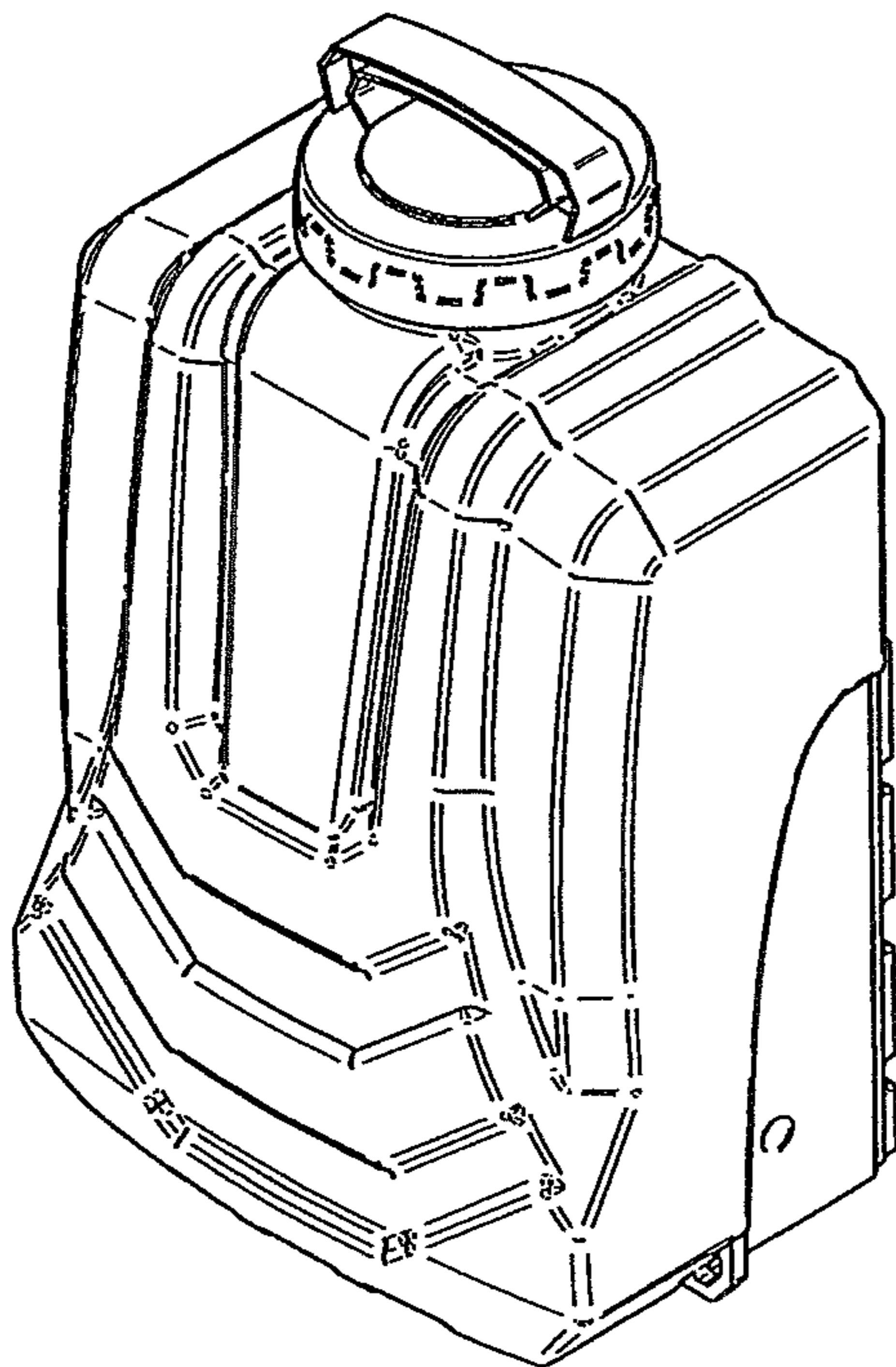


FIG. 3

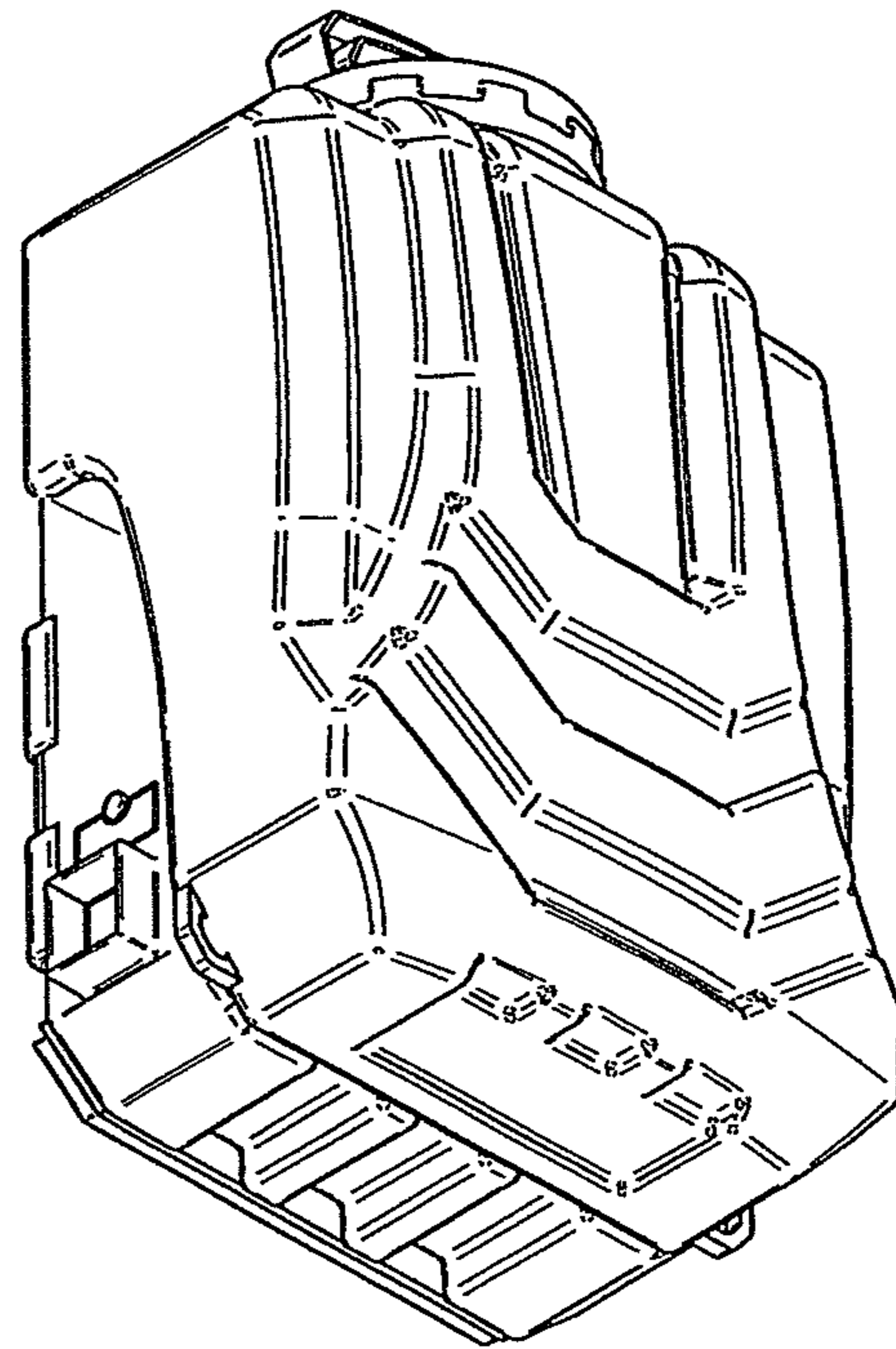


FIG. 4

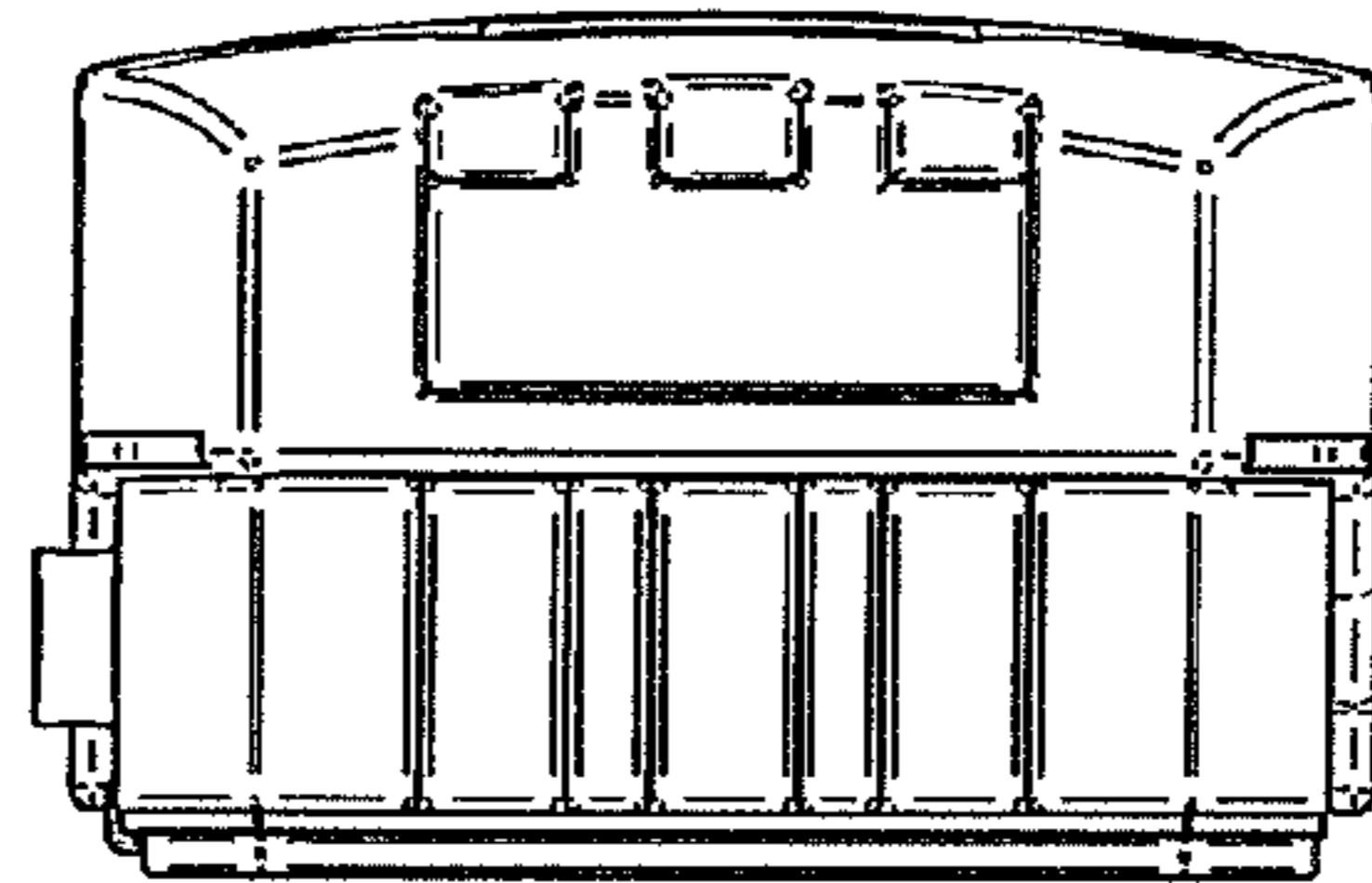


FIG. 5

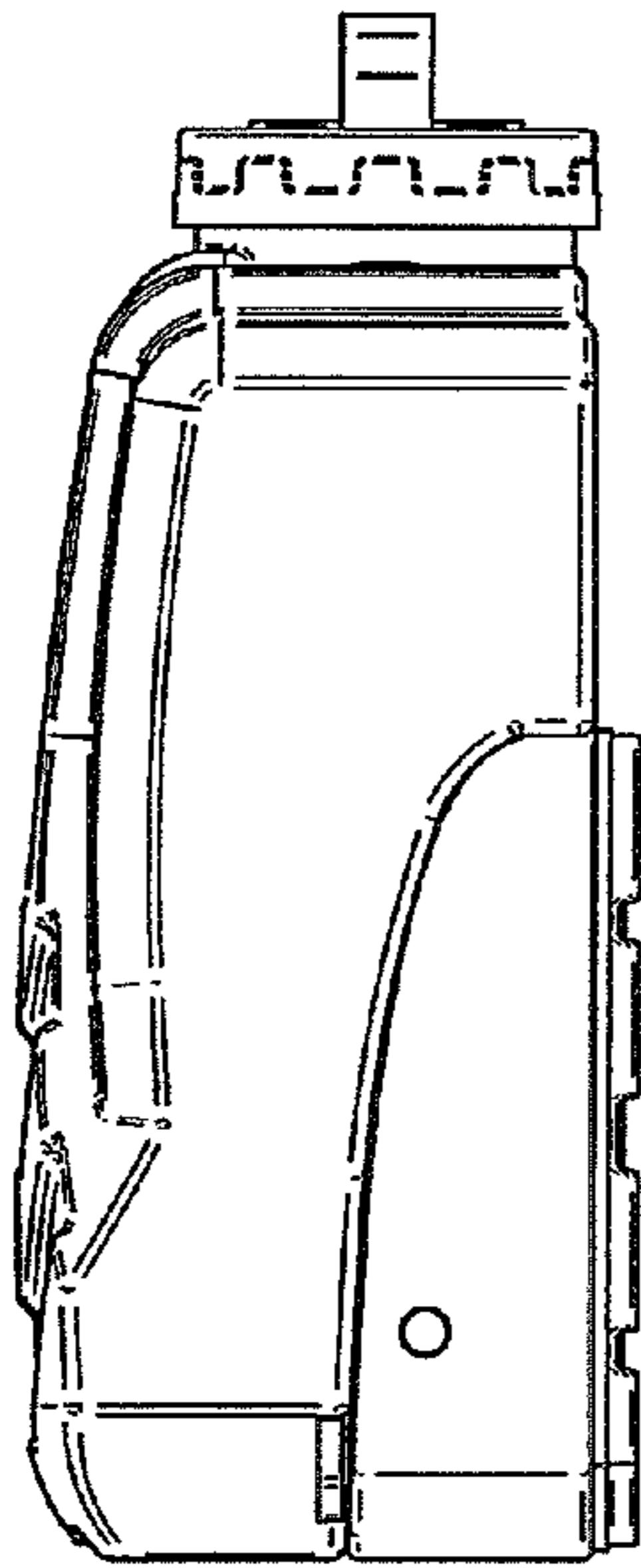


FIG. 6

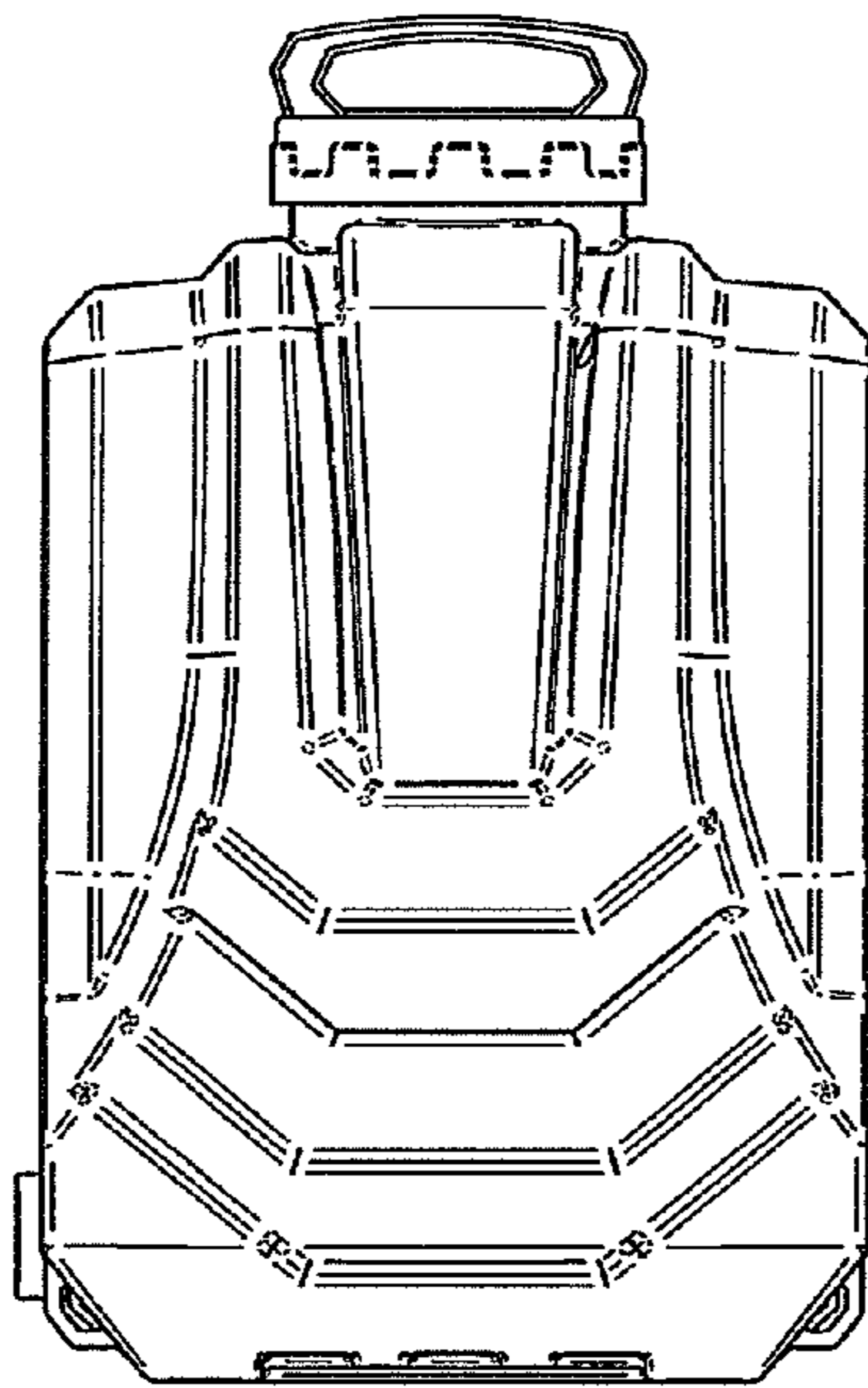


FIG. 7

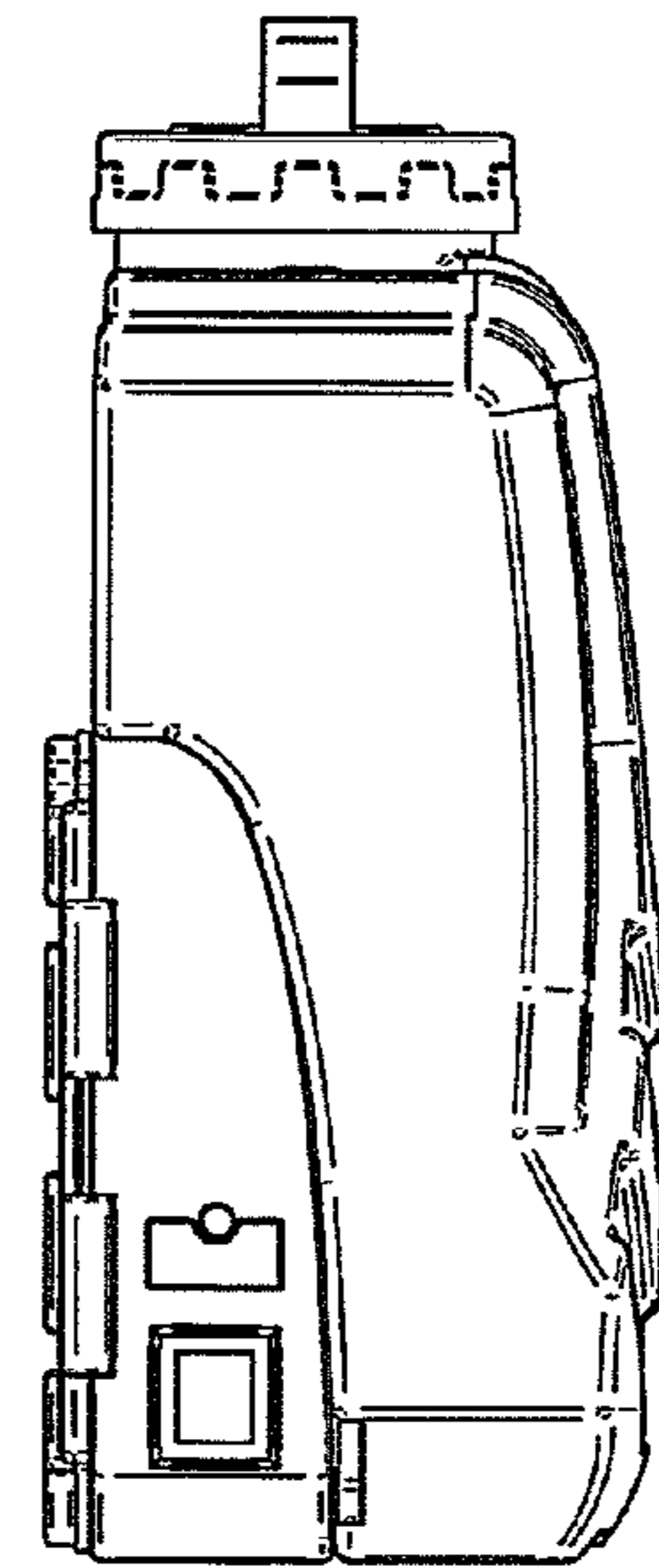


FIG. 8

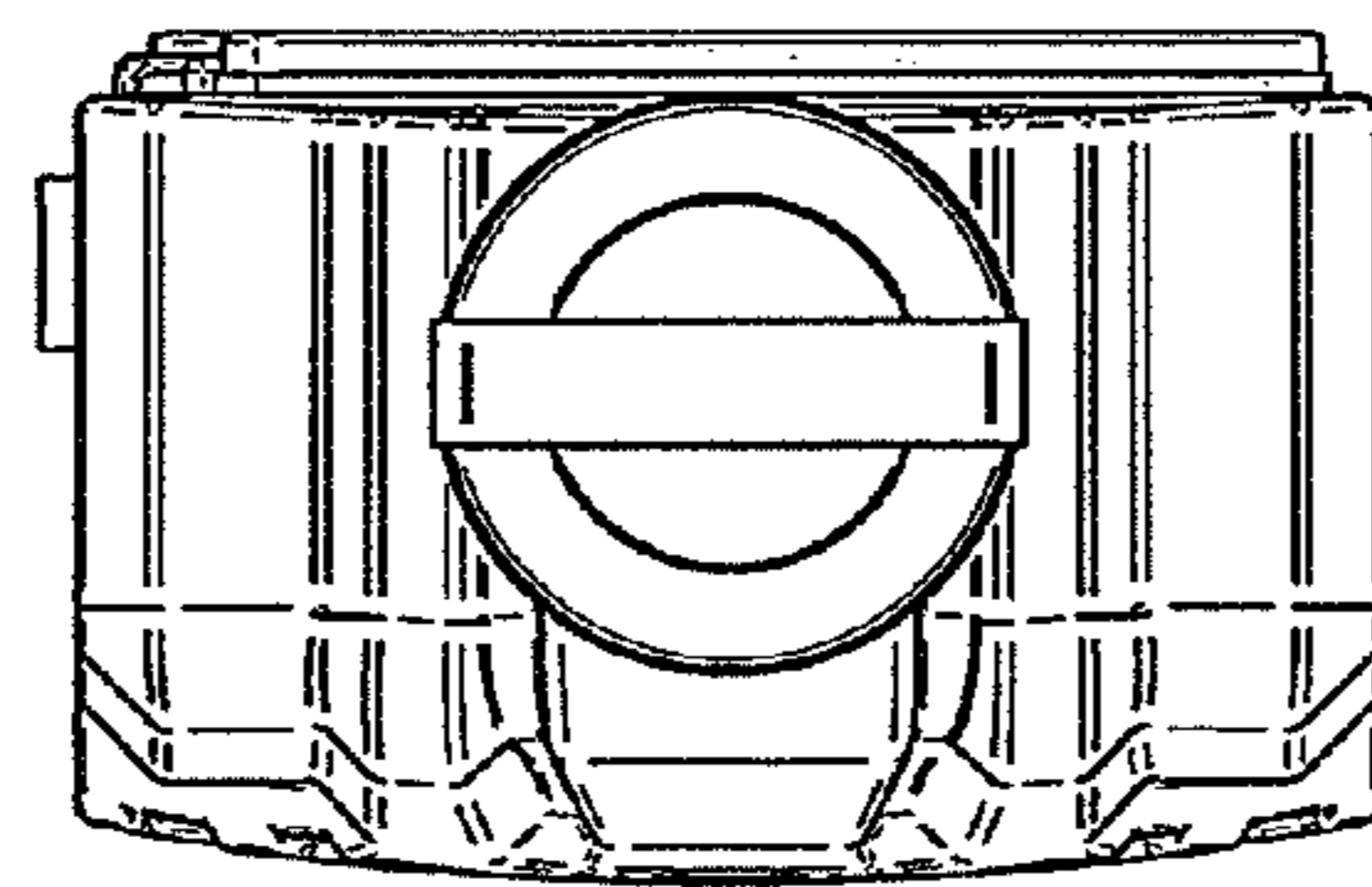


FIG. 9



US00D731027C1

(12) **EX PARTE REEXAMINATION CERTIFICATE** (11736th)
United States Patent
Perez

(10) **Number:** **US D731,027 C1**
(45) **Certificate Issued:** **Oct. 13, 2020**

- (54) **KNAPSACK SPRAYER**
- (71) Applicant: **Sistemas Y Homologaciones de Promocion Y Desarrollo, S.L.**, Liria (Valencia) (ES)
- (72) Inventor: **José Juan Sanz Perez**, Liria (ES)
- (73) Assignee: **WESSOL, LLC**, Charlotte, NC (US)

- (51) **LOC (12) Cl.** 23-01
- (52) **U.S. Cl.**
USPC **D23/225**
- (58) **Field of Classification Search**
USPC D23/225
See application file for complete search history.

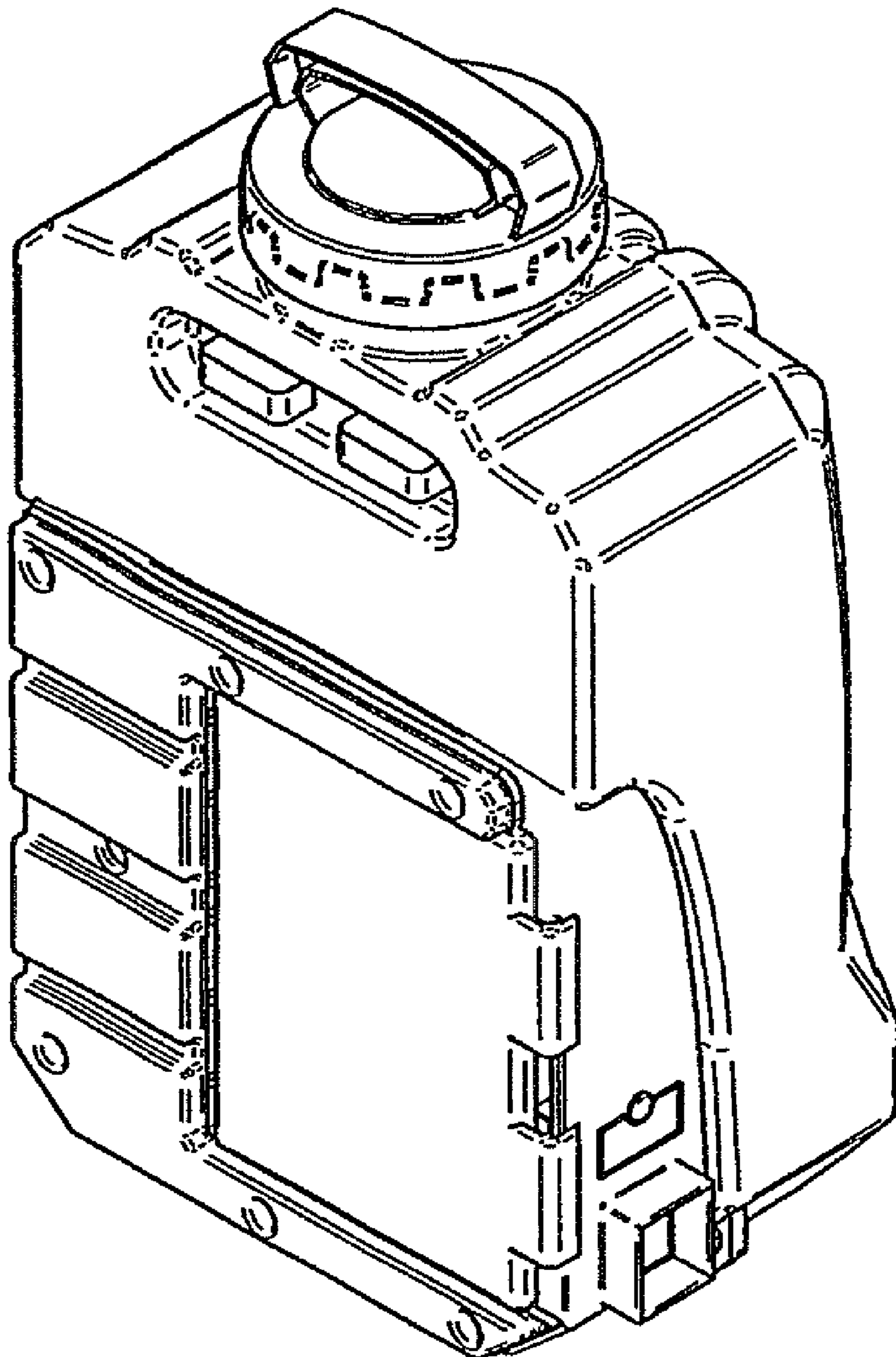
Reexamination Request:
No. 90/014,398, Oct. 28, 2019

Reexamination Certificate for:
Patent No.: **Des. 731,027**
Issued: **Jun. 2, 2015**
Appl. No.: **29/491,414**
Filed: **May 21, 2014**

(56) **References Cited**

To view the complete listing of prior art documents cited during the proceeding for Reexamination Control Number 90/014,398, please refer to the USPTO's public Patent Application Information Retrieval (PAIR) system under the Display References tab.

Primary Examiner — Kevin K Rudzinski



1
EX PARTE
REEXAMINATION CERTIFICATE

THE PATENT IS HEREBY AMENDED AS 5
INDICATED BELOW.

AS A RESULT OF REEXAMINATION, IT HAS BEEN
DETERMINED THAT:

The claim 1 is cancelled. 10

* * * * *