



US00D731026S

(12) **United States Design Patent**
Bahler

(10) **Patent No.:** **US D731,026 S**
(45) **Date of Patent:** **** Jun. 2, 2015**

(54) **HANDSHOWER**

(71) Applicant: **Masco Corporation of Indiana,**
Indianapolis, IN (US)

(72) Inventor: **Jordan Renee Bahler,** Westfield, IN
(US)

(73) Assignee: **DELTA FAUCET COMPANY,**
Indianapolis, IN (US)

(**) Term: **14 Years**

(21) Appl. No.: **29/488,635**

(22) Filed: **Apr. 22, 2014**

(51) **LOC (10) Cl.** **23-01**

(52) **U.S. Cl.**
USPC **D23/223**

(58) **Field of Classification Search**
USPC D23/213, 223, 226; 239/282–283, 462
CPC B05B 1/18; B05B 1/00
See application file for complete search history.

(56) **References Cited**

U.S. PATENT DOCUMENTS

D555,229 S * 11/2007 Wrobleski et al. D23/223
D575,845 S * 8/2008 Lobermeier et al. D23/223

D577,793 S * 9/2008 Leber D23/213
D578,181 S * 10/2008 Pan D23/213
D642,659 S * 8/2011 Lammel et al. D23/213
D652,108 S * 1/2012 Eads et al. D23/223
D674,049 S * 1/2013 Genord D23/223
D697,582 S * 1/2014 McNinch D23/223

* cited by examiner

Primary Examiner — Robin V Webster

(74) *Attorney, Agent, or Firm* — Edgar A. Zarins; Nirav D. Parikh

(57) **CLAIM**

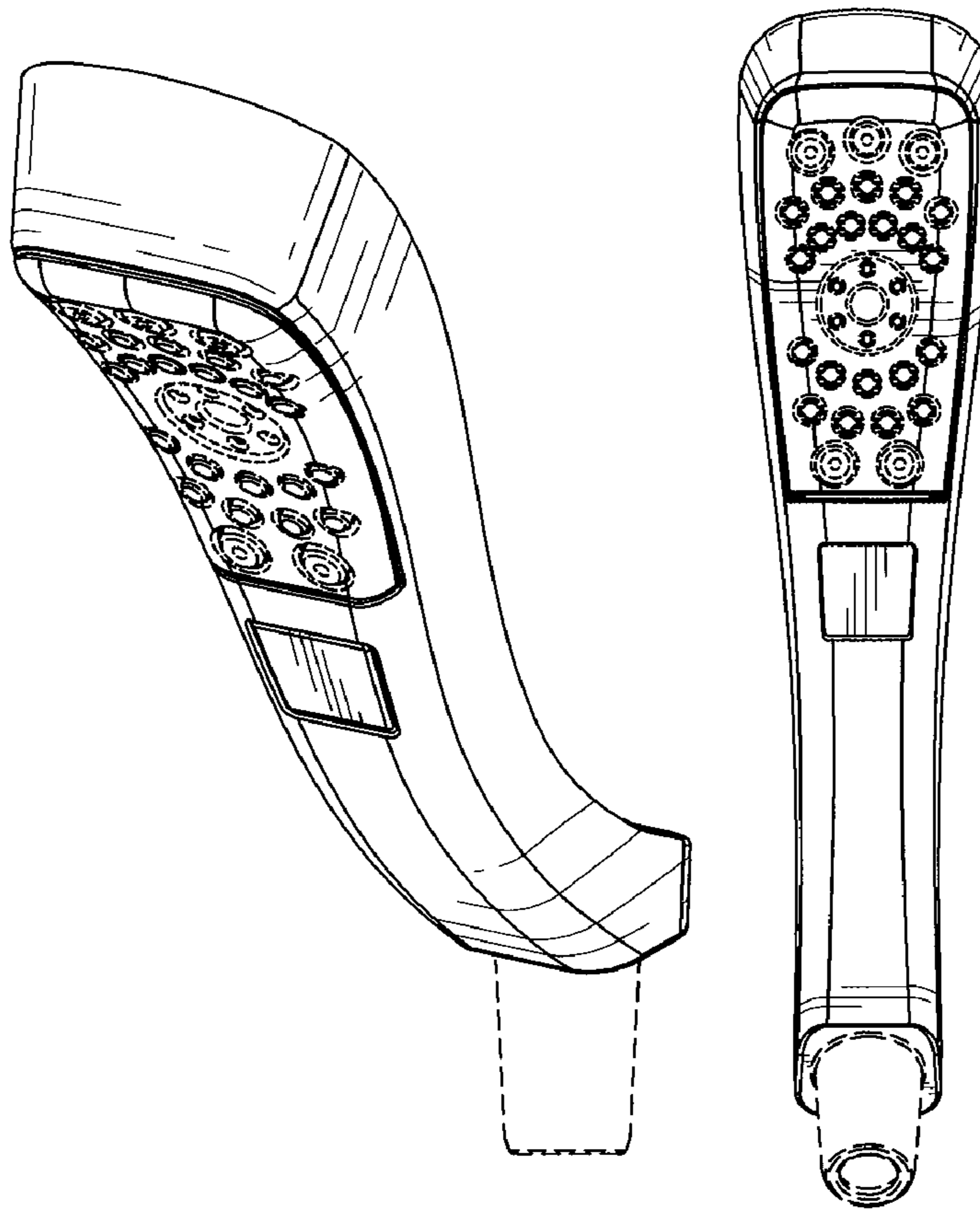
The ornamental design for a handshower, as shown and described.

DESCRIPTION

FIG. 1 is a perspective view of a handshower showing my new design;
FIG. 2 is a rear view thereof;
FIG. 3 is a first end view thereof;
FIG. 4 is a second end view thereof;
FIG. 5 is a right side view thereof;
FIG. 6 is a left side view thereof; and,
FIG. 7 is a front view thereof.

The broken line showing is included for the purpose of illustrating and forms no part of the claimed design.

1 Claim, 2 Drawing Sheets



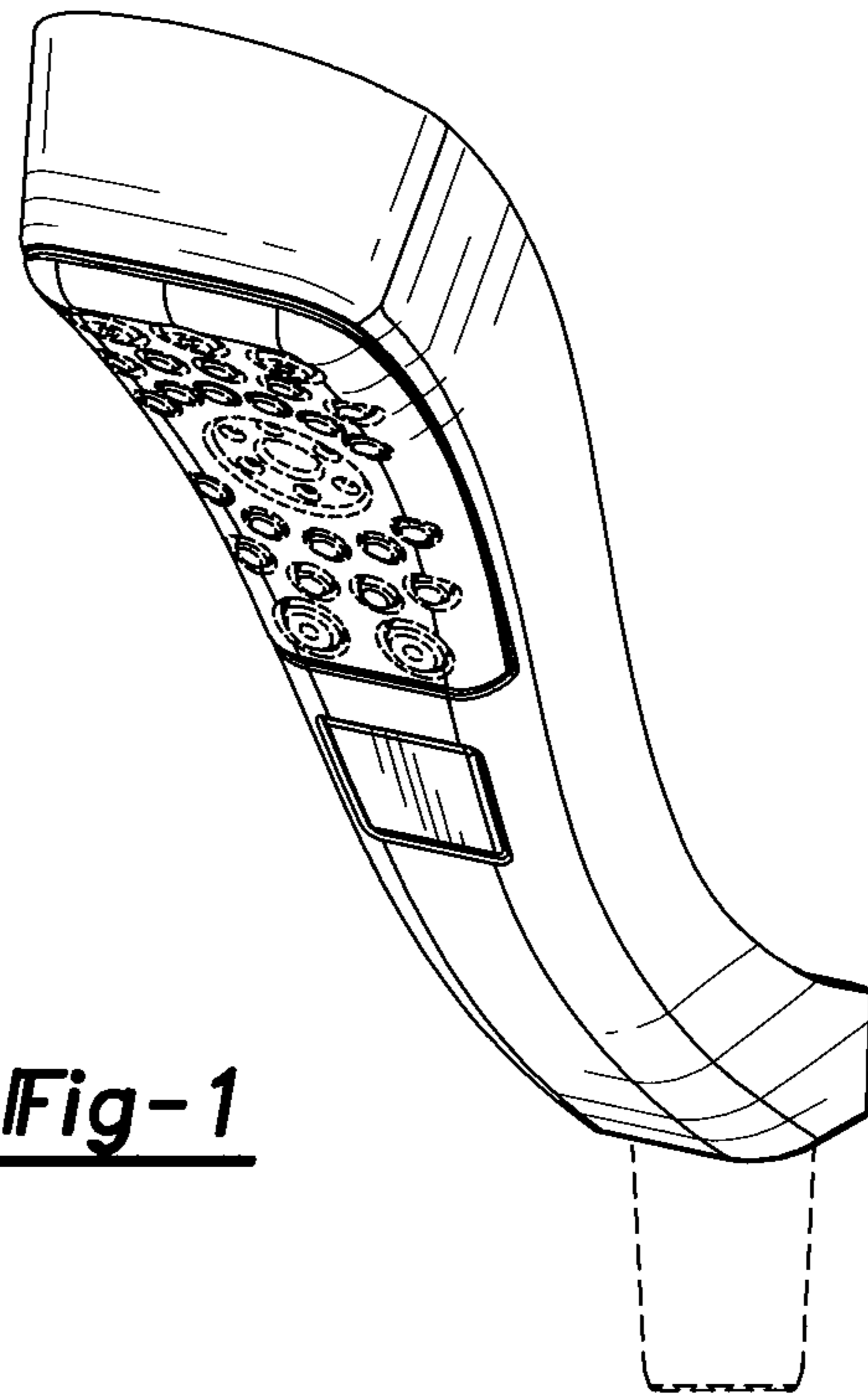


Fig-1

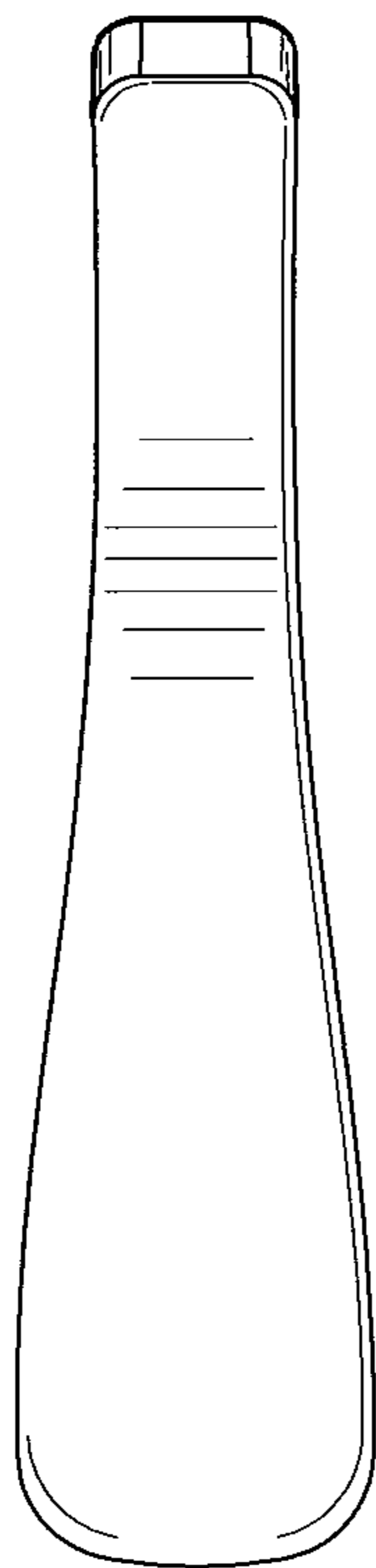


Fig-2

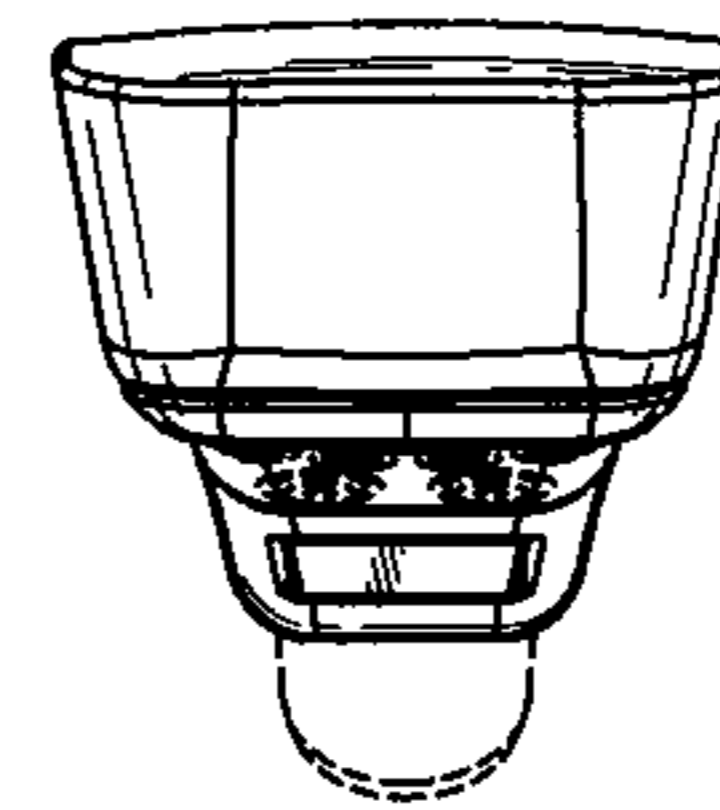


Fig-3

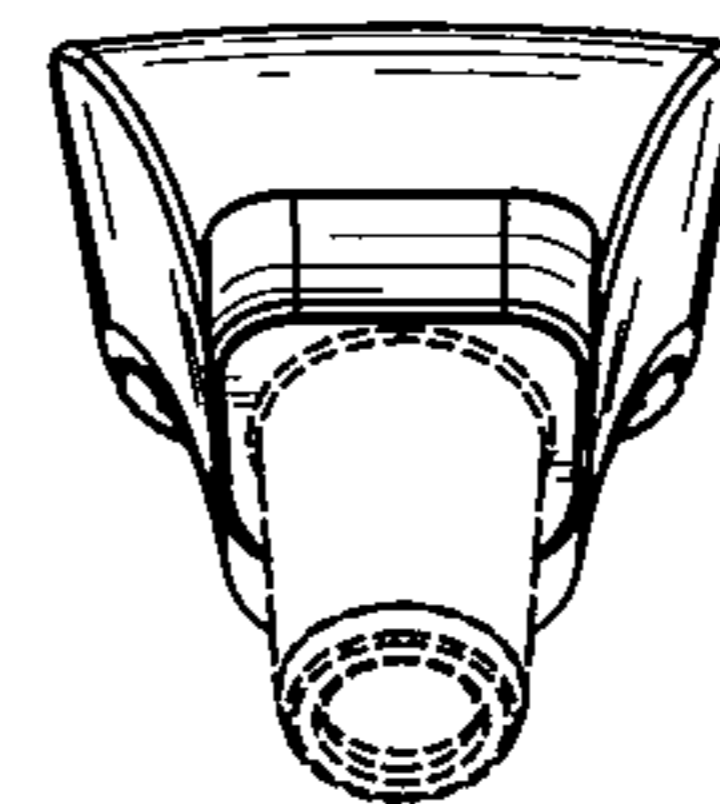


Fig-4

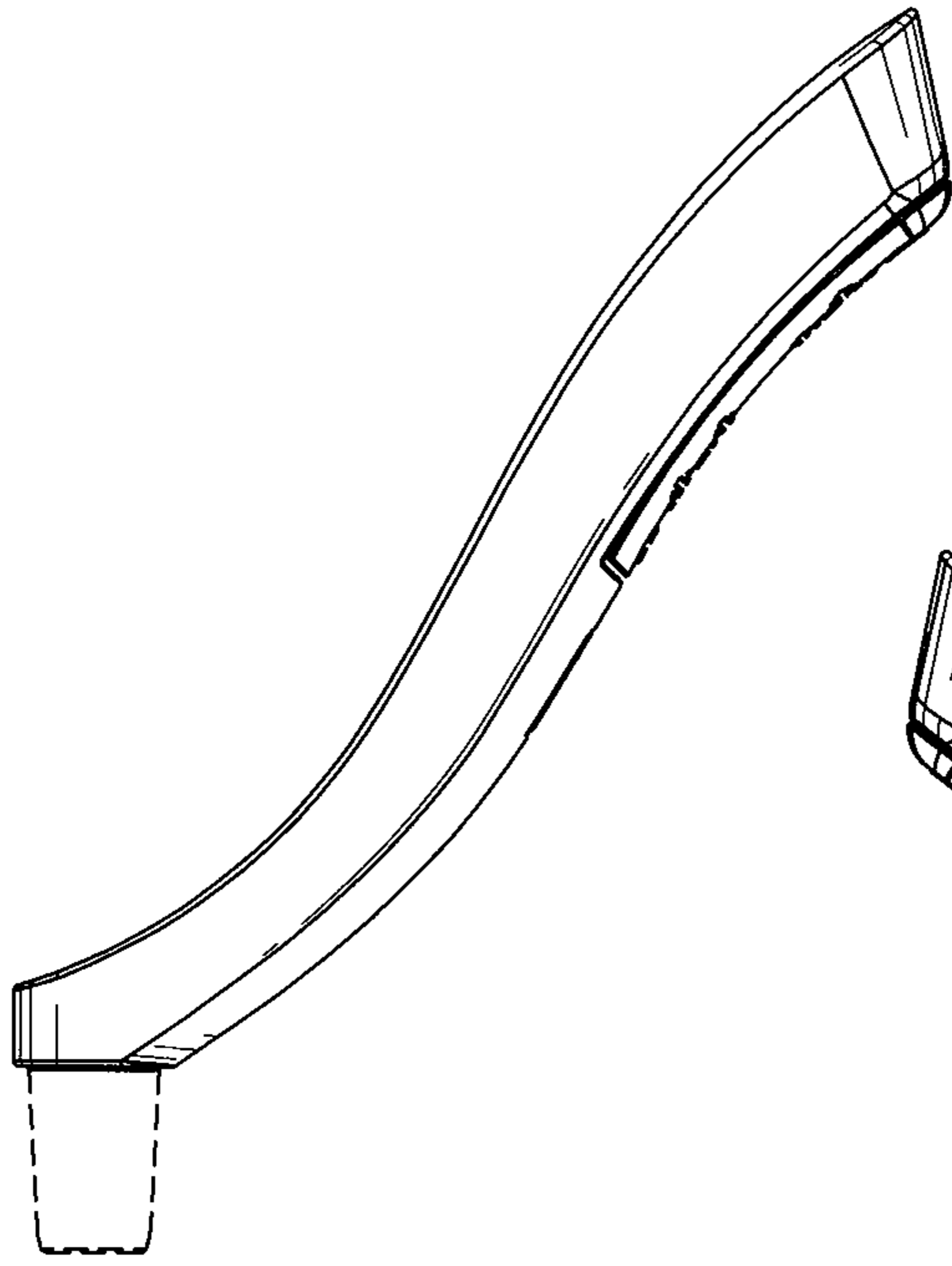


Fig-5

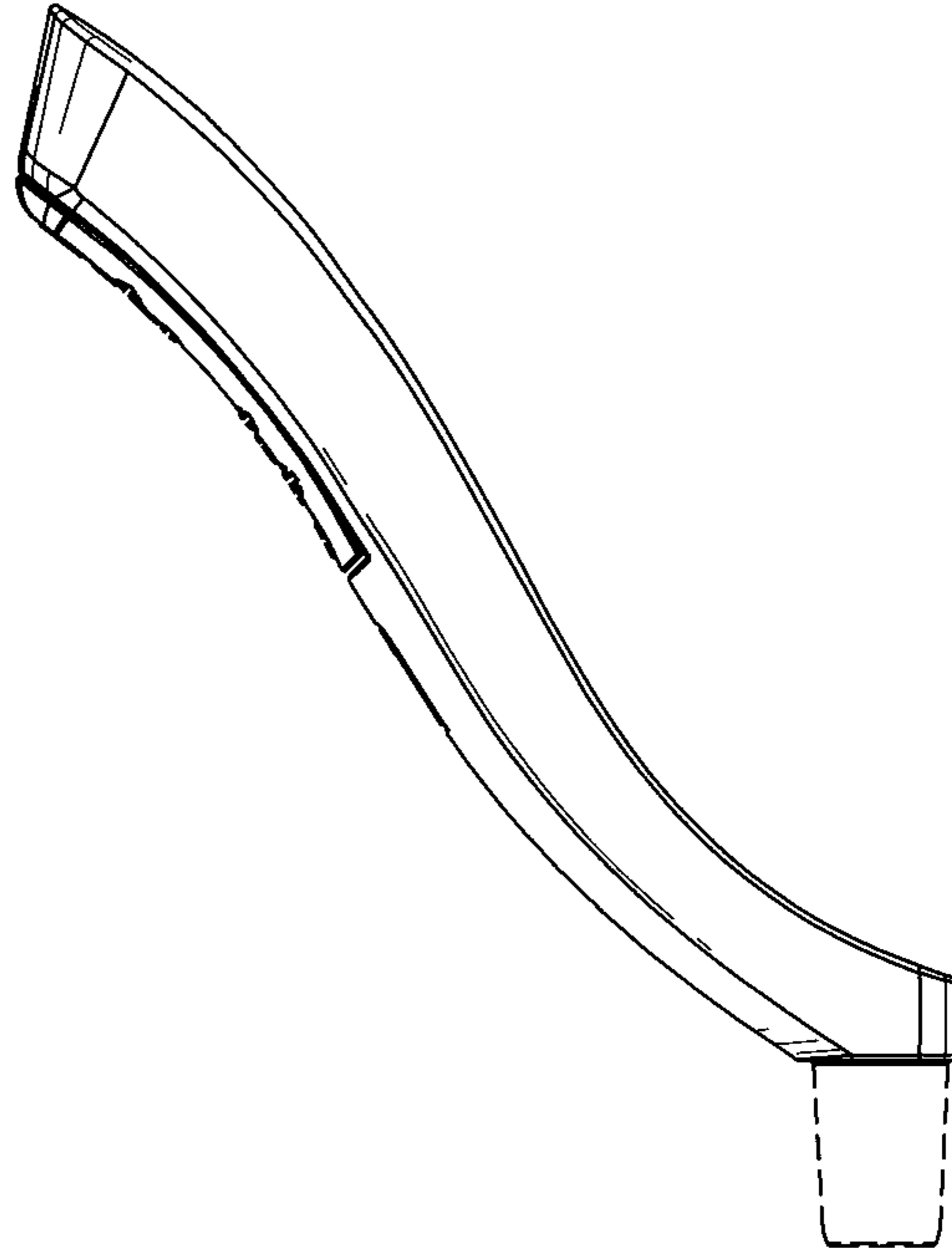


Fig-6

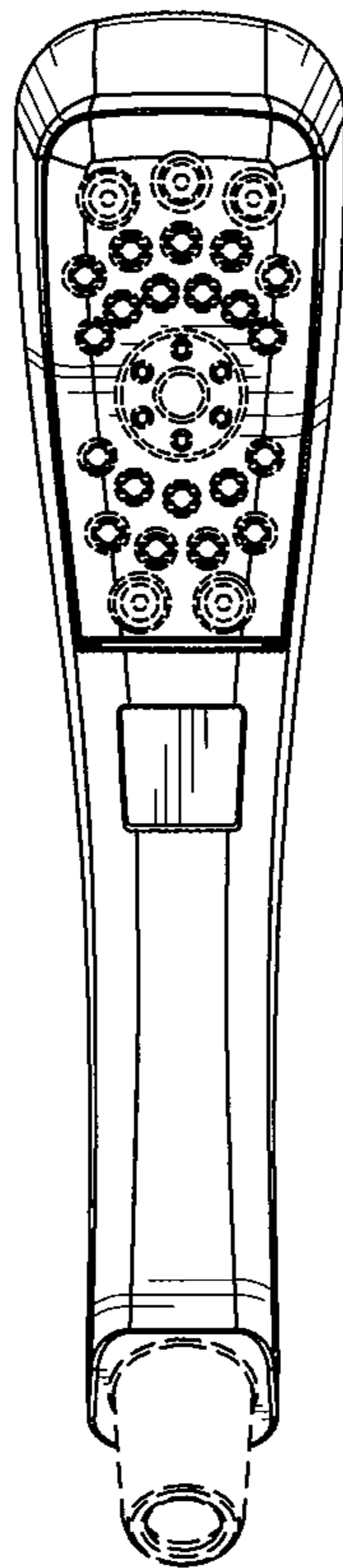


Fig-7