



US00D731025S

(12) **United States Design Patent**
Spiegel et al.

(10) **Patent No.:** **US D731,025 S**
(45) **Date of Patent:** **** Jun. 2, 2015**

(54) **WATER PURIFIER ASSEMBLY**

(56) **References Cited**

(71) Applicant: **Response Products Ltd.**, Wanchai (HK)

U.S. PATENT DOCUMENTS

(72) Inventors: **Peter G. Spiegel**, Sherman Oaks, CA
(US); **Michael A. Pedersen**, Sherman
Oaks, CA (US); **Yoon Jung Kim**, Buena
Park, CA (US); **Spencer Lee Mackay**,
Agoura Hills, CA (US)

D336,760 S *	6/1993	Raunkjaer	D23/209
D388,655 S *	1/1998	Flom et al.	D7/319
D524,087 S *	7/2006	Ali	D7/317
D592,274 S *	5/2009	Tseng	D23/207
D675,861 S *	2/2013	Gray	D7/318
D690,550 S *	10/2013	Beghelli	D7/319

(73) Assignee: **Response Products Limited**, Hong
Kong (CN)

* cited by examiner

Primary Examiner — Robin V Webster

(**) Term: **14 Years**

(74) *Attorney, Agent, or Firm* — Sutherland Asbill &
Brennan LLP

(21) Appl. No.: **29/492,261**

(57) **CLAIM**

The ornamental design for a water purifier assembly, as
shown and described.

(22) Filed: **May 29, 2014**

DESCRIPTION

(51) **LOC (10) Cl.** **23-01**

FIG. 1 is a perspective view of a water purifier assembly
according to an embodiment of the disclosure;

(52) **U.S. Cl.**

FIG. 2 is a perspective view thereof;

USPC **D23/207**

FIG. 3 is a front view thereof;

(58) **Field of Classification Search**

USPC D23/207, 209; 210/232, 282, 241, 435,
210/444, 464, 266; D7/316–318

FIG. 4 is a rear view thereof;

FIG. 5 is a side view thereof;

FIG. 6 is a side view thereof;

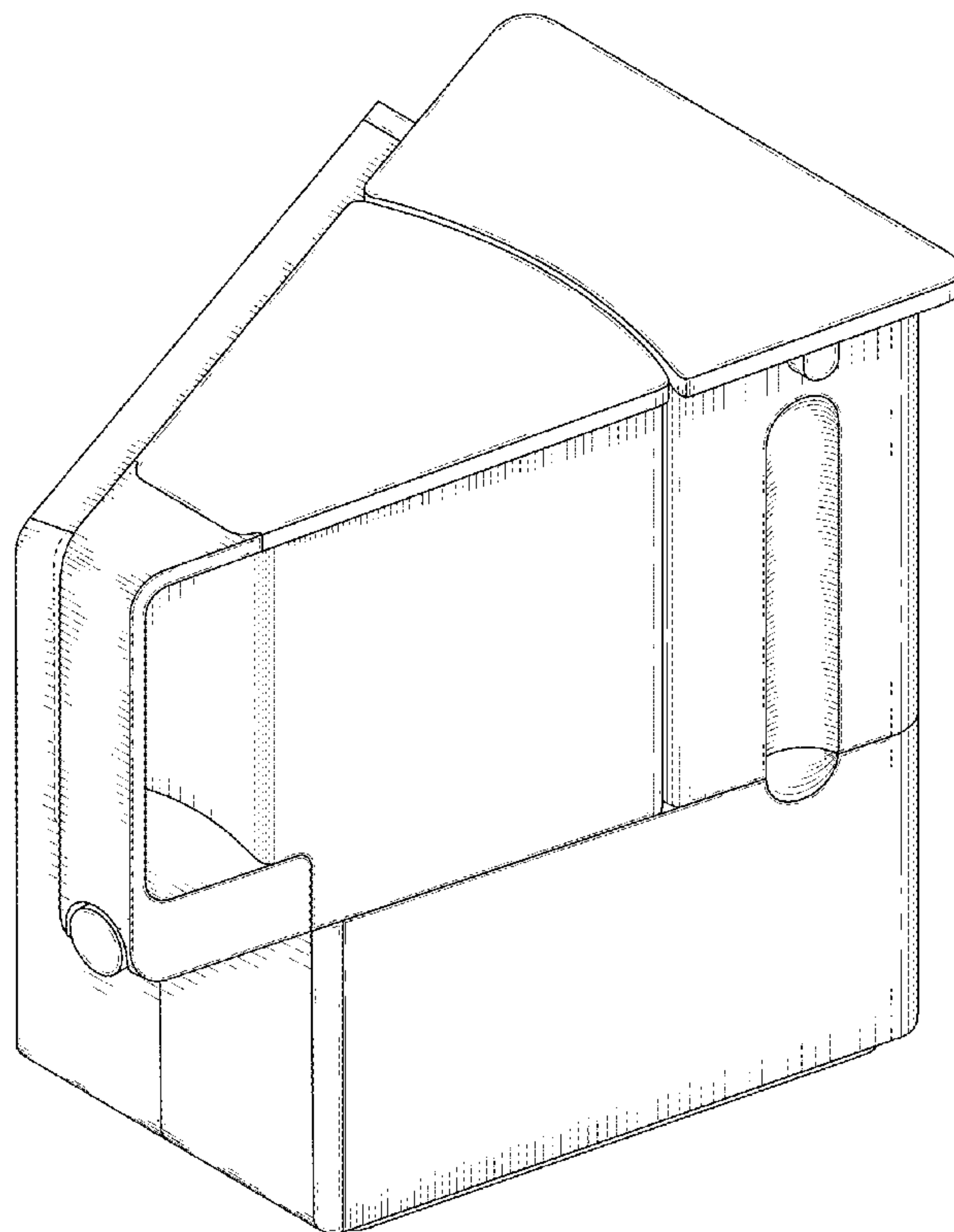
FIG. 7 is a top view thereof; and,

FIG. 8 is a bottom view thereof.

The broken line showing is included for the purpose of illus-
trating and forms no part of the claimed design.

See application file for complete search history.

1 Claim, 8 Drawing Sheets



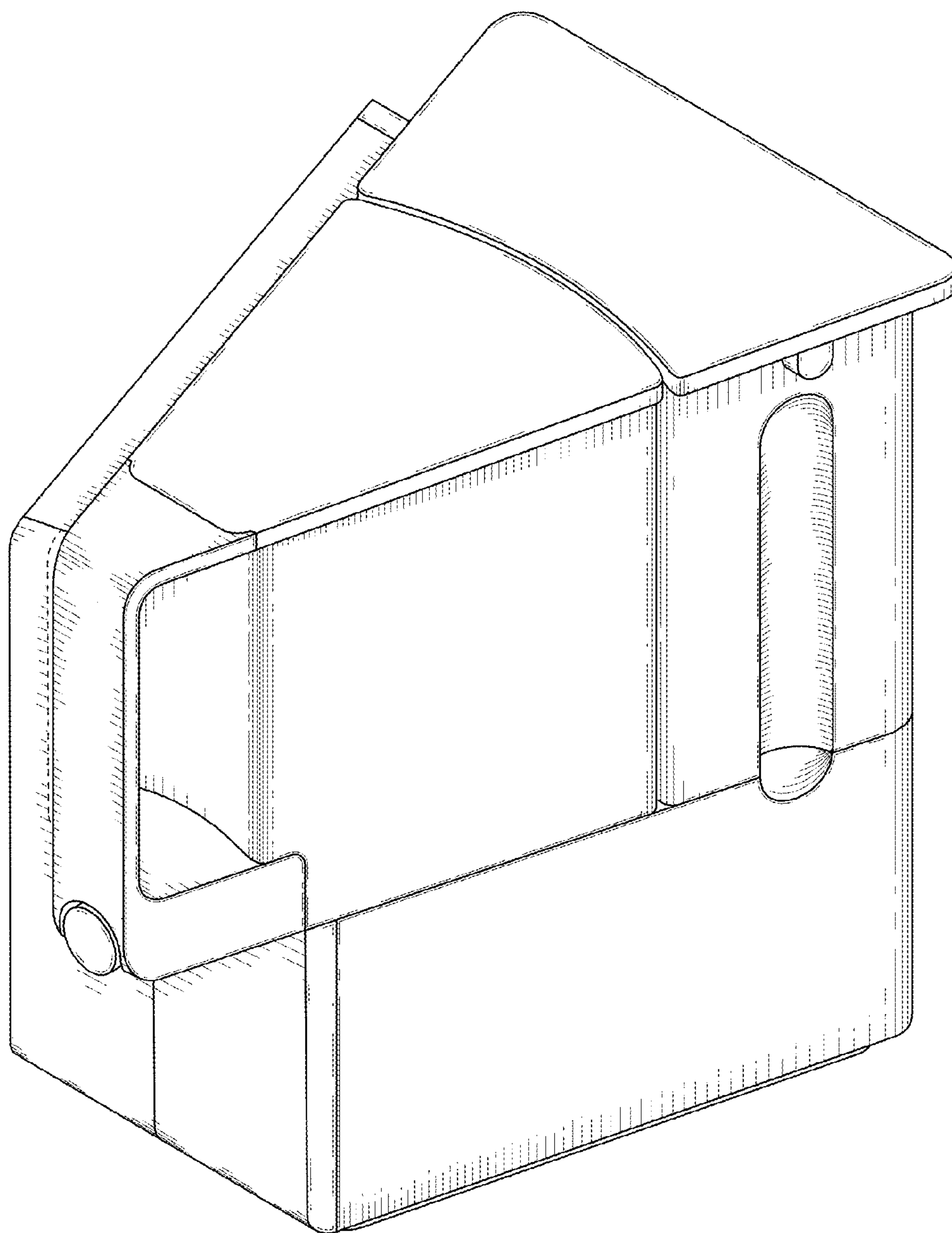


FIG. 1

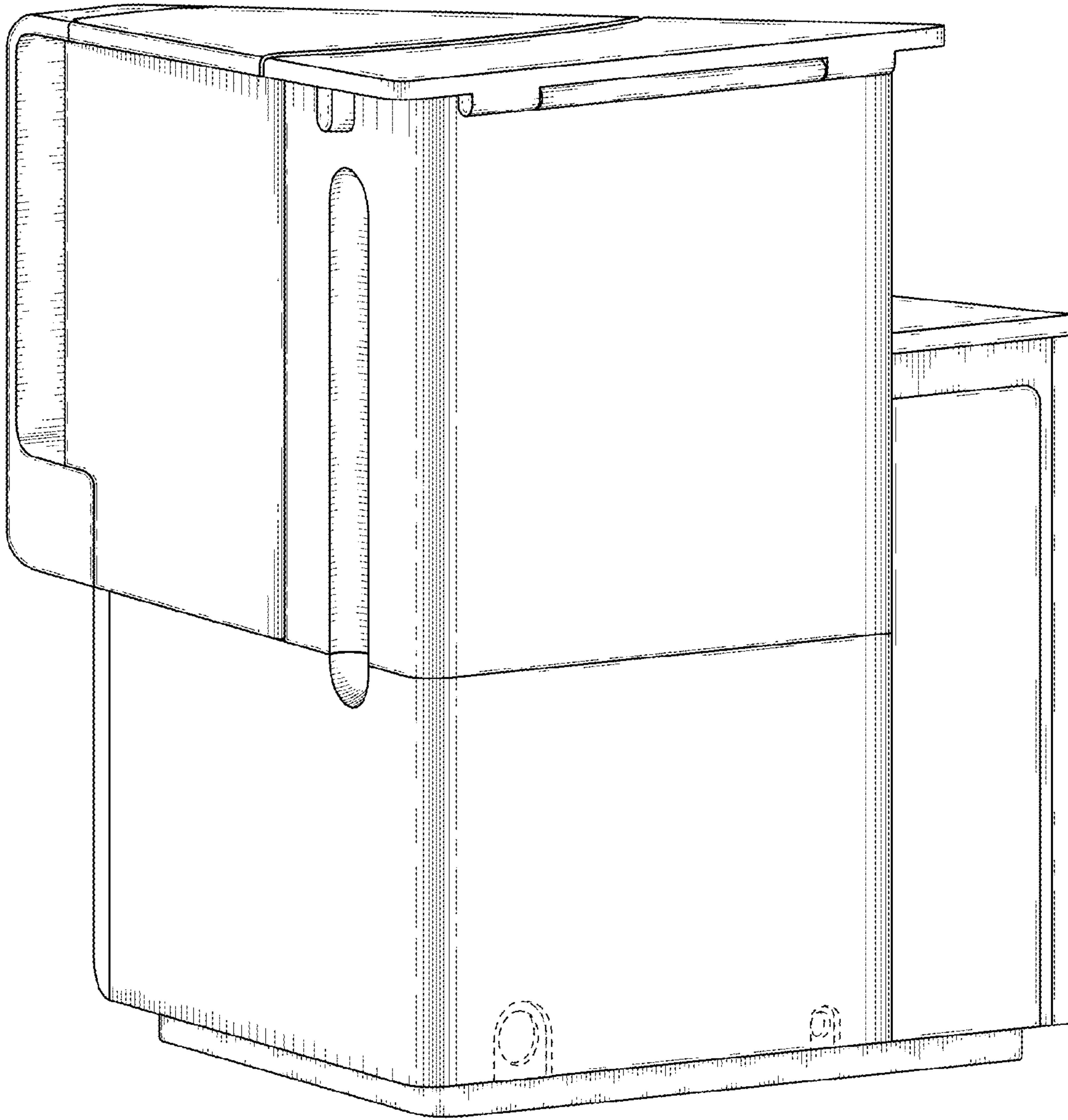


FIG. 2

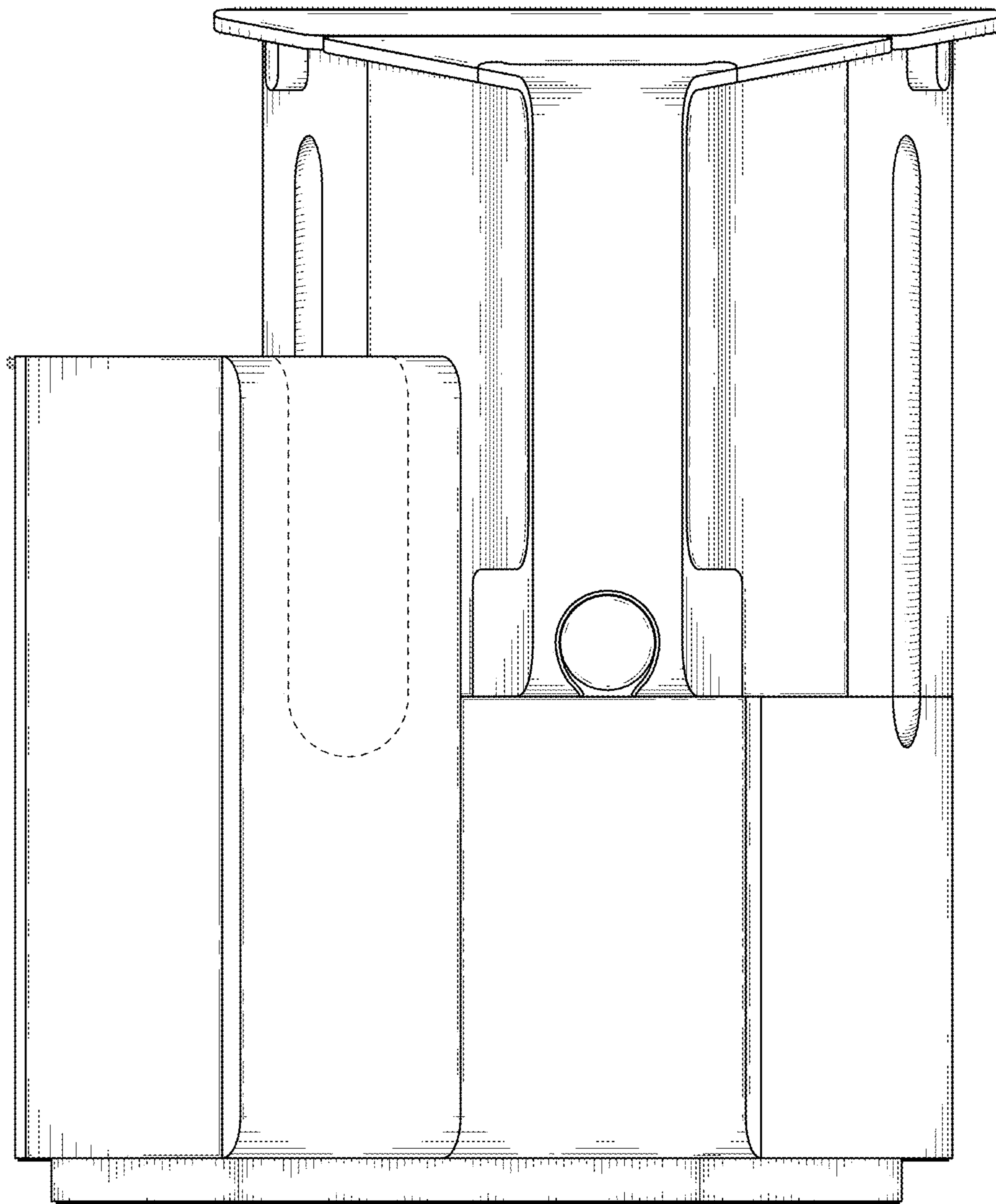


FIG. 3

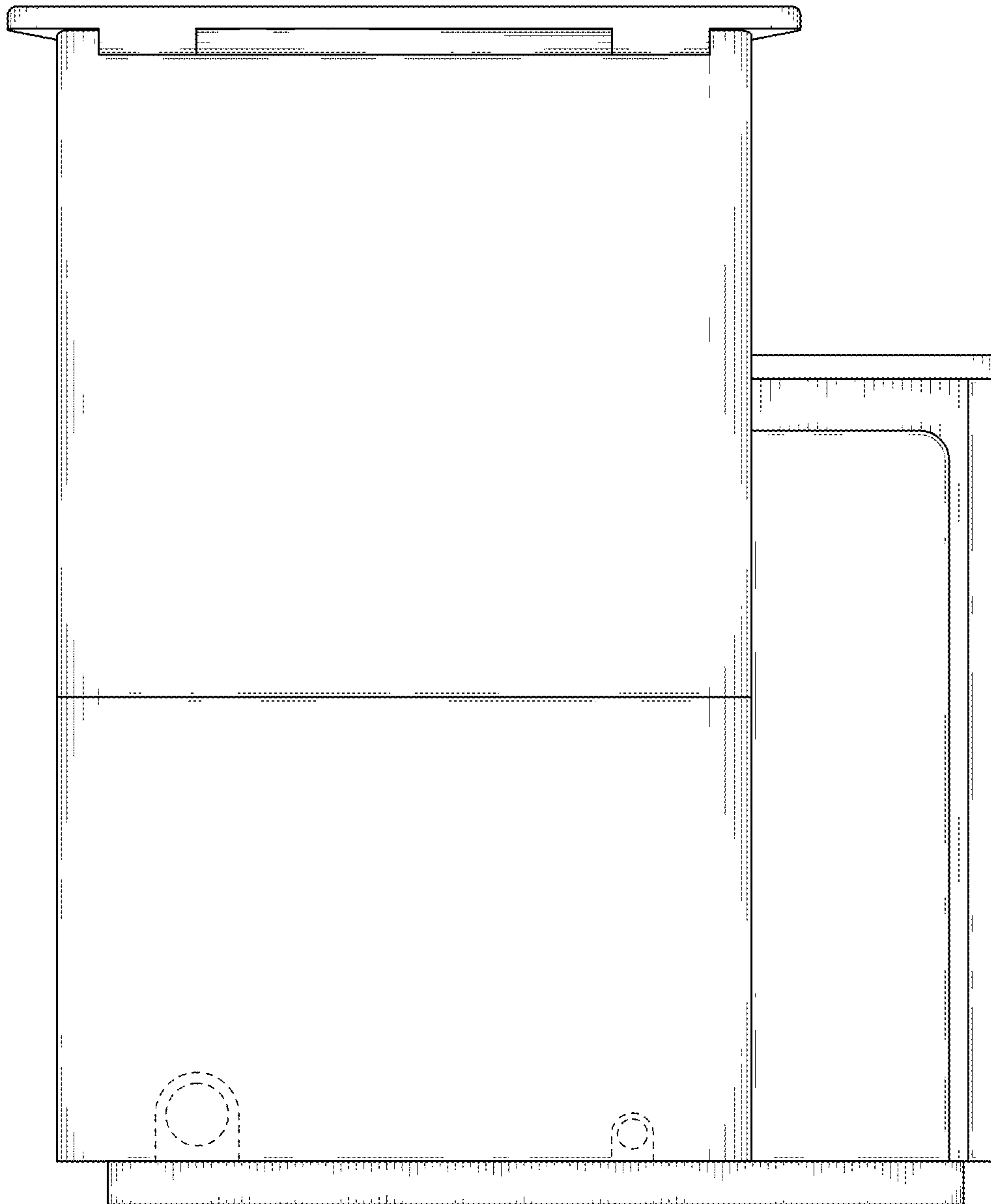


FIG. 4

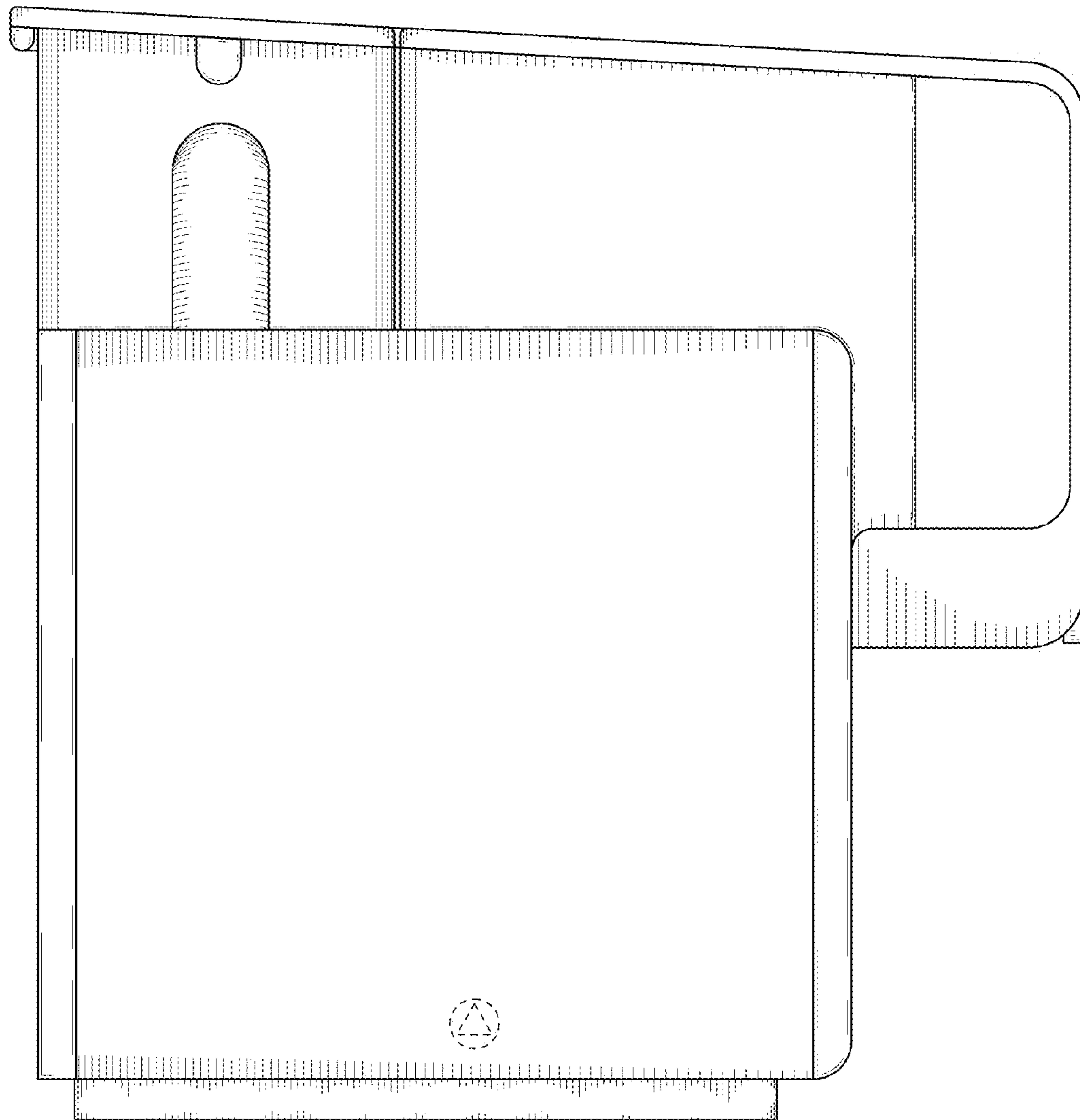


FIG. 5

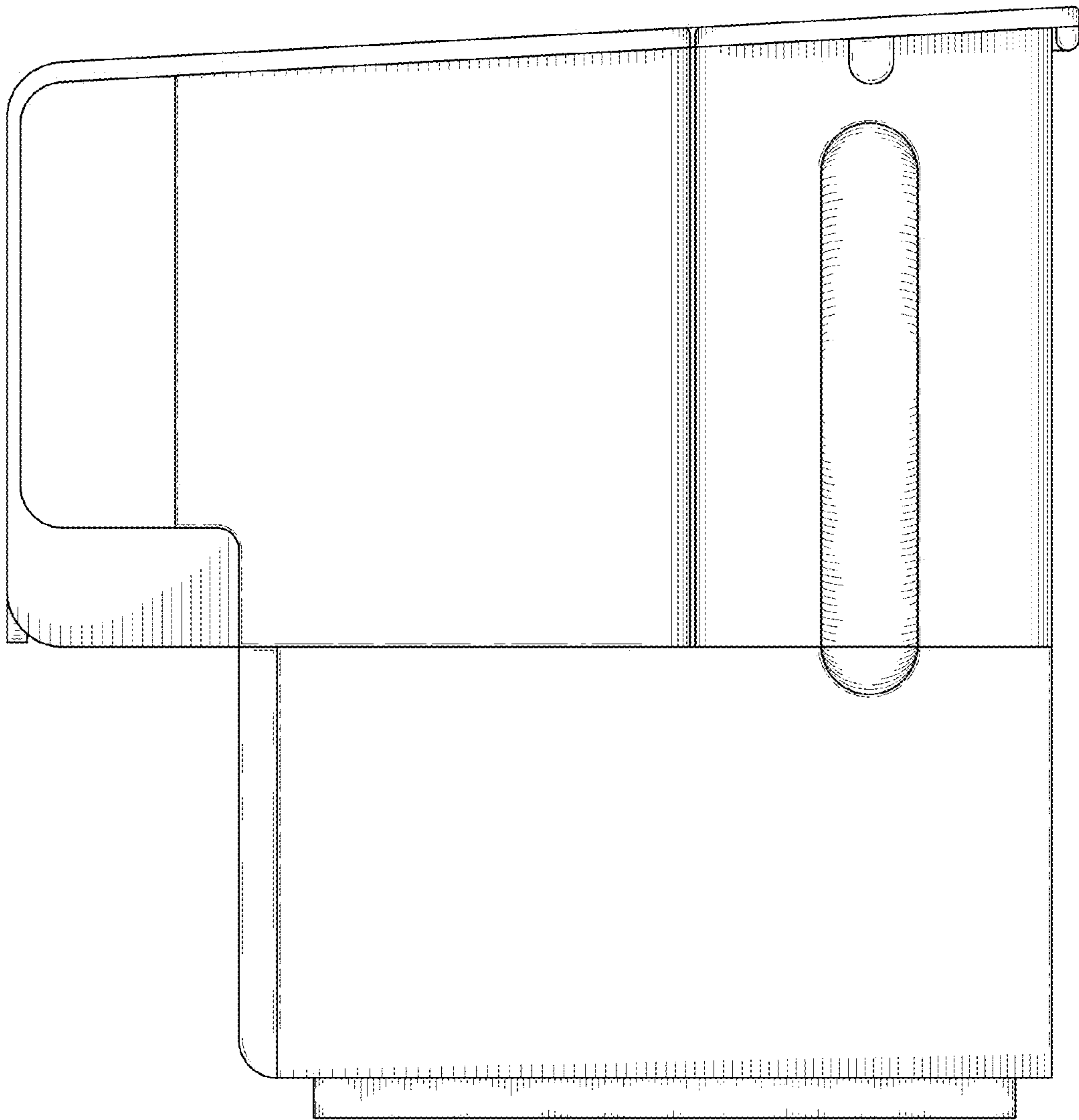


FIG. 6

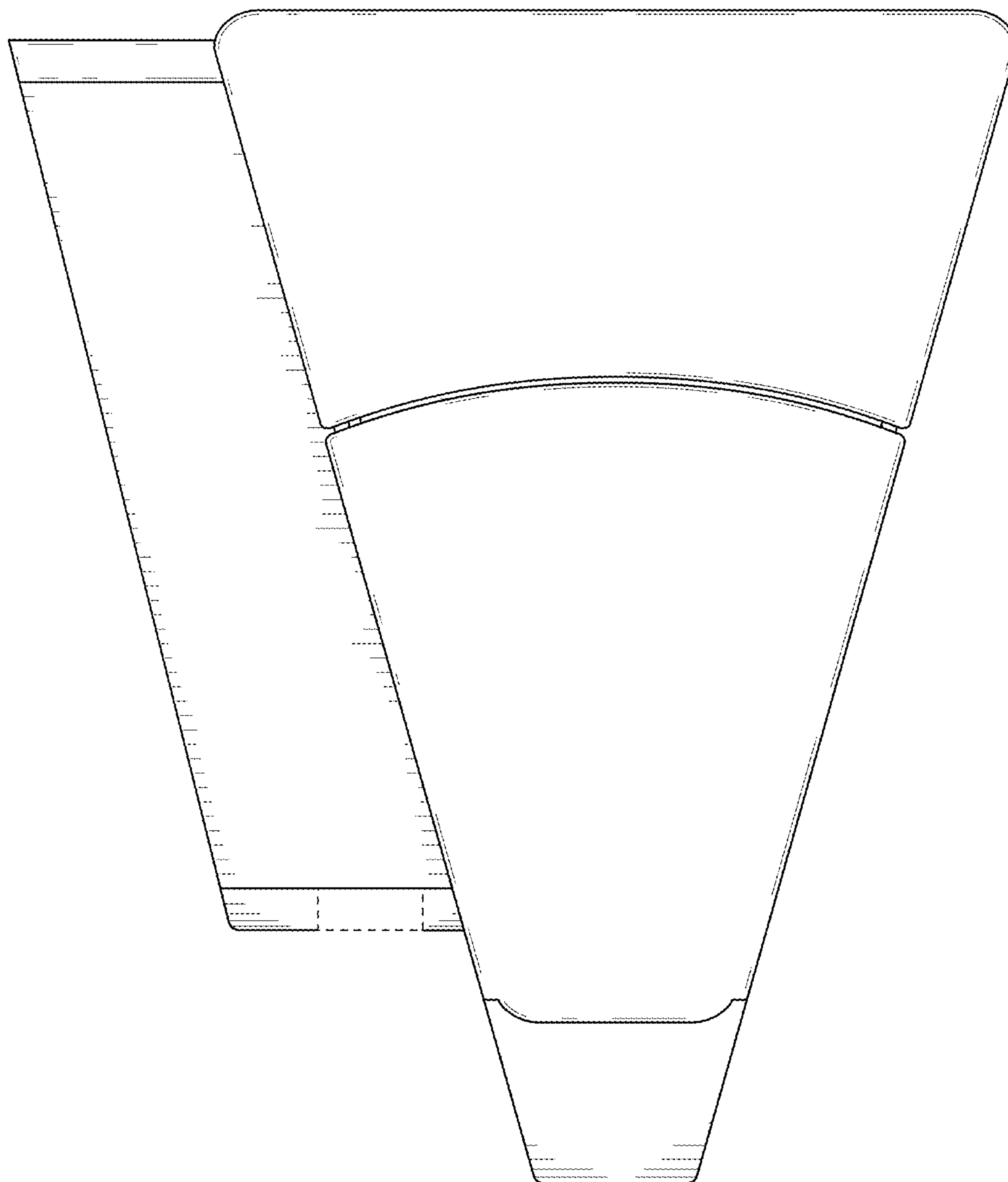


FIG. 7

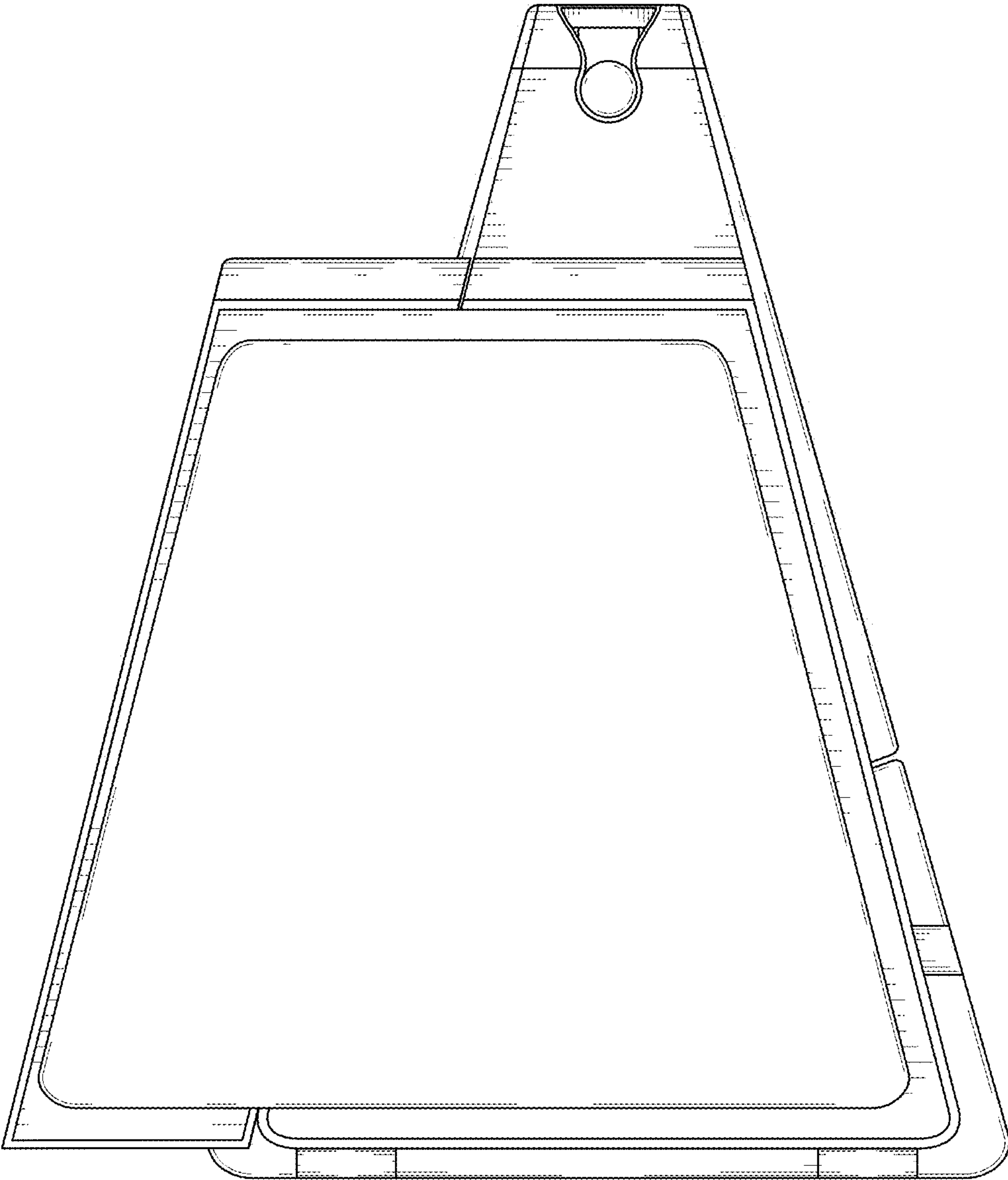


FIG. 8