



US00D731022S

(12) **United States Design Patent**
Severinsen

(10) **Patent No.:** **US D731,022 S**
(45) **Date of Patent:** **** Jun. 2, 2015**

(54) **BLUNT ARROW HEAD**

(71) Applicant: **Brian René Severinsen**, Saeby (DK)

(72) Inventor: **Brian René Severinsen**, Saeby (DK)

(**) Term: **14 Years**

(21) Appl. No.: **29/477,837**

(22) Filed: **Dec. 27, 2013**

(51) **LOC (10) Cl.** **22-01**

(52) **U.S. Cl.**
USPC **D22/107**

(58) **Field of Classification Search**
USPC D22/107, 199; 473/582, 578
CPC F42B 6/02; F42B 6/04; F42B 6/06
See application file for complete search history.

(56) **References Cited**

U.S. PATENT DOCUMENTS

1,424,672	A *	8/1922	Ogrissek	416/193 R
2,874,968	A *	2/1959	Zielinski	473/583
2,905,470	A *	9/1959	Hoyt, Jr.	473/582
3,815,916	A *	6/1974	Meszaros	473/586
4,589,778	A *	5/1986	Mitchell	366/316
4,762,328	A *	8/1988	Beyl	473/585
5,846,147	A *	12/1998	Basik	473/586
7,331,886	B2 *	2/2008	Morris et al.	473/578

7,832,981	B2 *	11/2010	Hasan et al.	415/119
7,955,201	B2 *	6/2011	Harwath et al.	473/578
2007/0026980	A1 *	2/2007	Grace et al.	473/582

* cited by examiner

Primary Examiner — Michael A Pratt

(74) *Attorney, Agent, or Firm* — Roberts Mlotkowski Safran & Cole, P.C.; David S. Safran

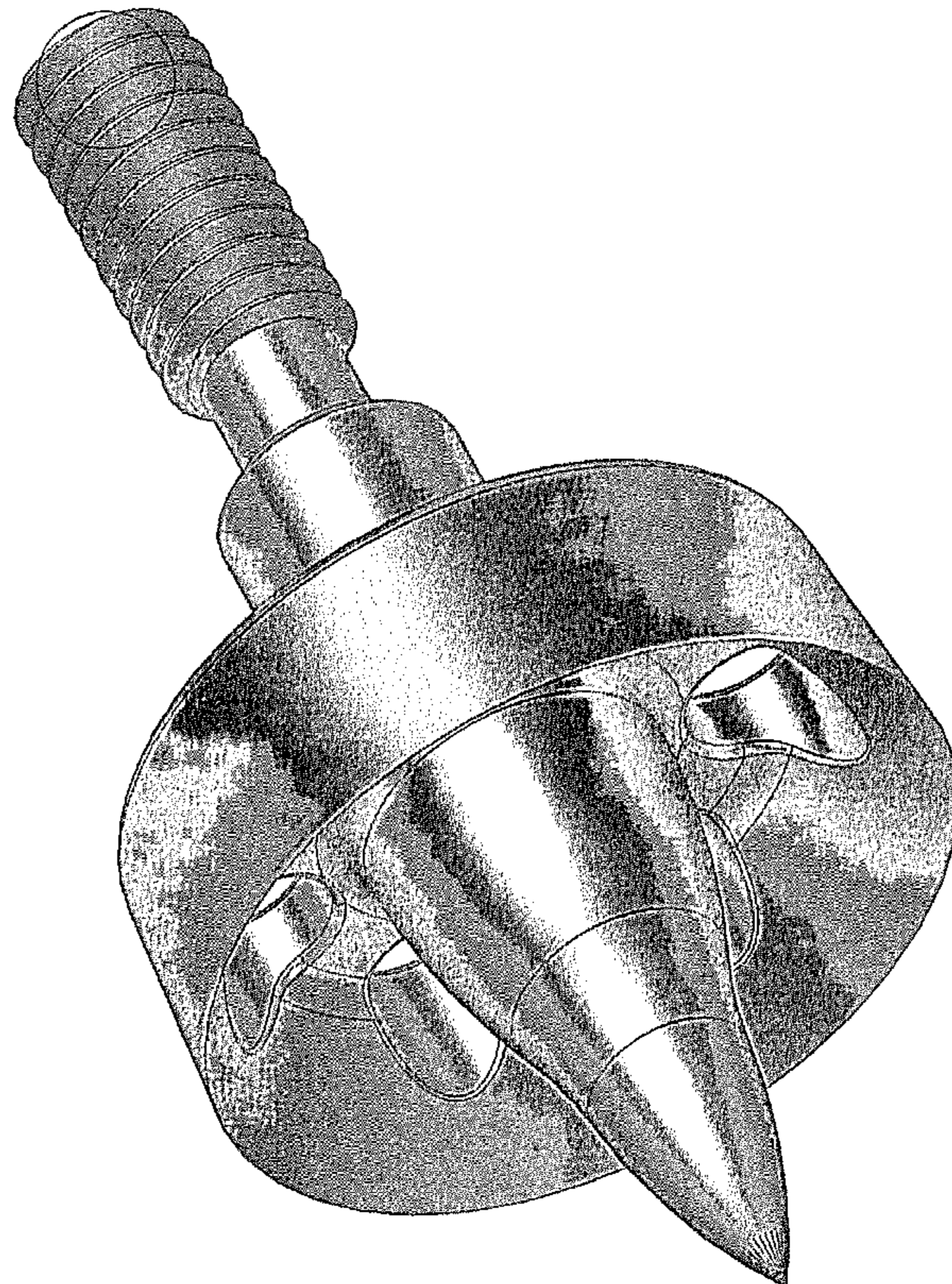
(57) **CLAIM**

The ornamental design for a blunt arrow head, as described above and as shown in the accompanying drawings.

DESCRIPTION

FIG. 1 is a front perspective view of a blunt arrow head in accordance with the inventive design;
FIG. 2 is a rear perspective view of a blunt arrow head in accordance with the inventive design;
FIG. 3 is a front elevational view of the blunt arrow head shown in FIG. 1;
FIG. 4 is a rear elevational view of the blunt arrow head shown in FIG. 1; and,
FIG. 5 is a side elevational view of the blunt arrow head shown in FIG. 1, the design being the same viewed from all sides with the exception of the portion of the threads which that is visible, but which threads are hidden in use threaded into the shaft of an arrow.

1 Claim, 5 Drawing Sheets



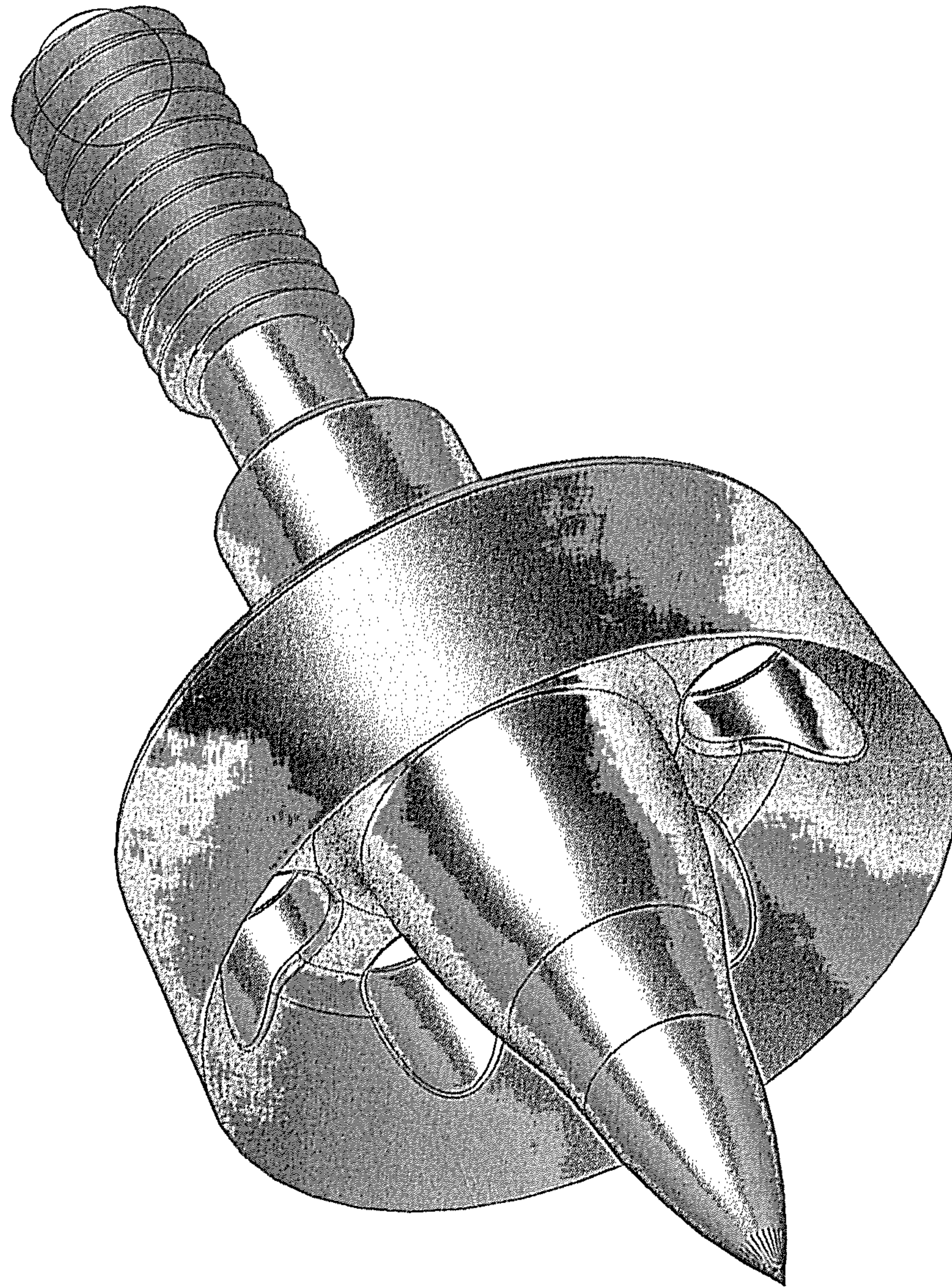


FIG. 1

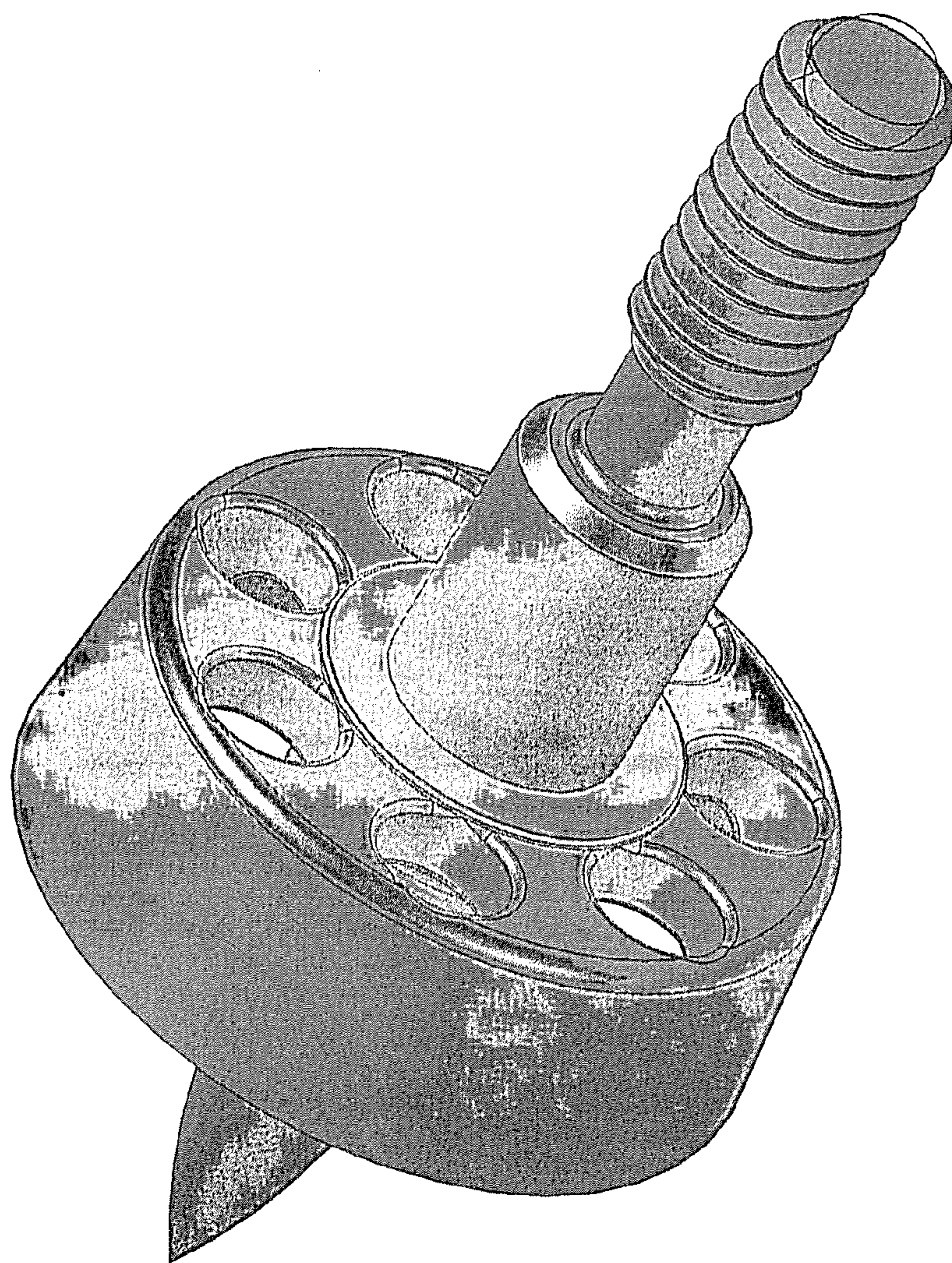


FIG. 2

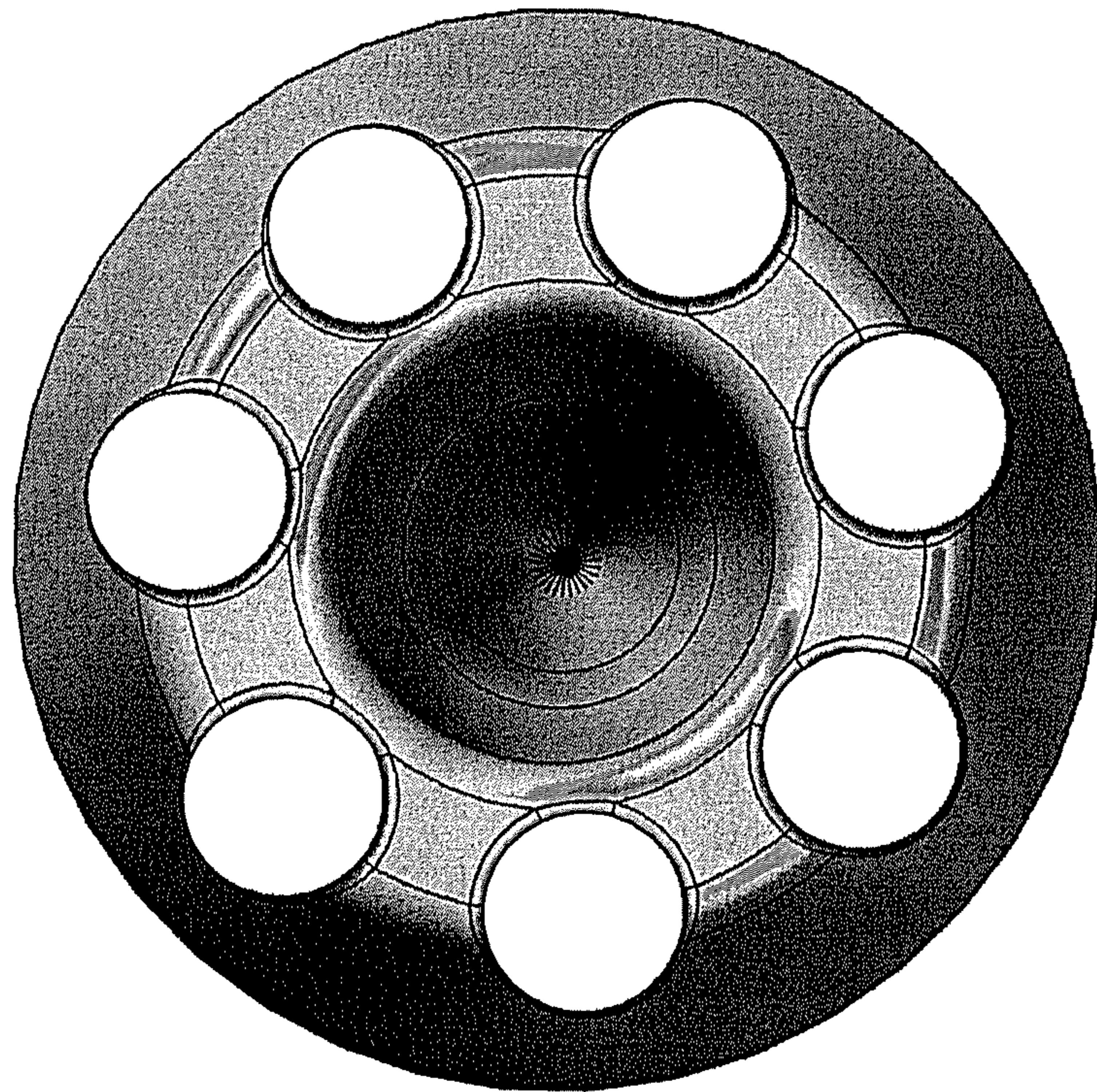


FIG. 3

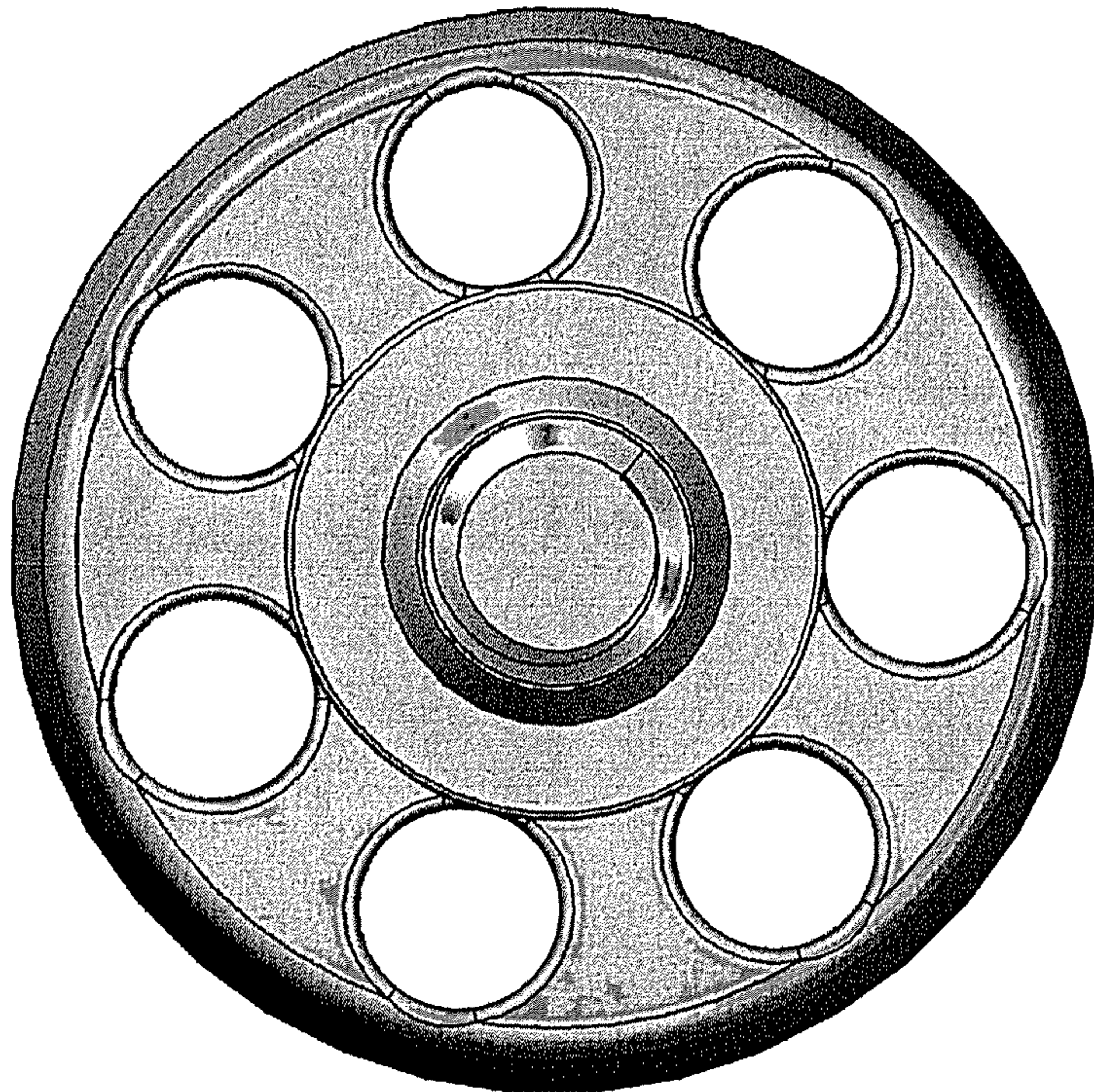


FIG. 4

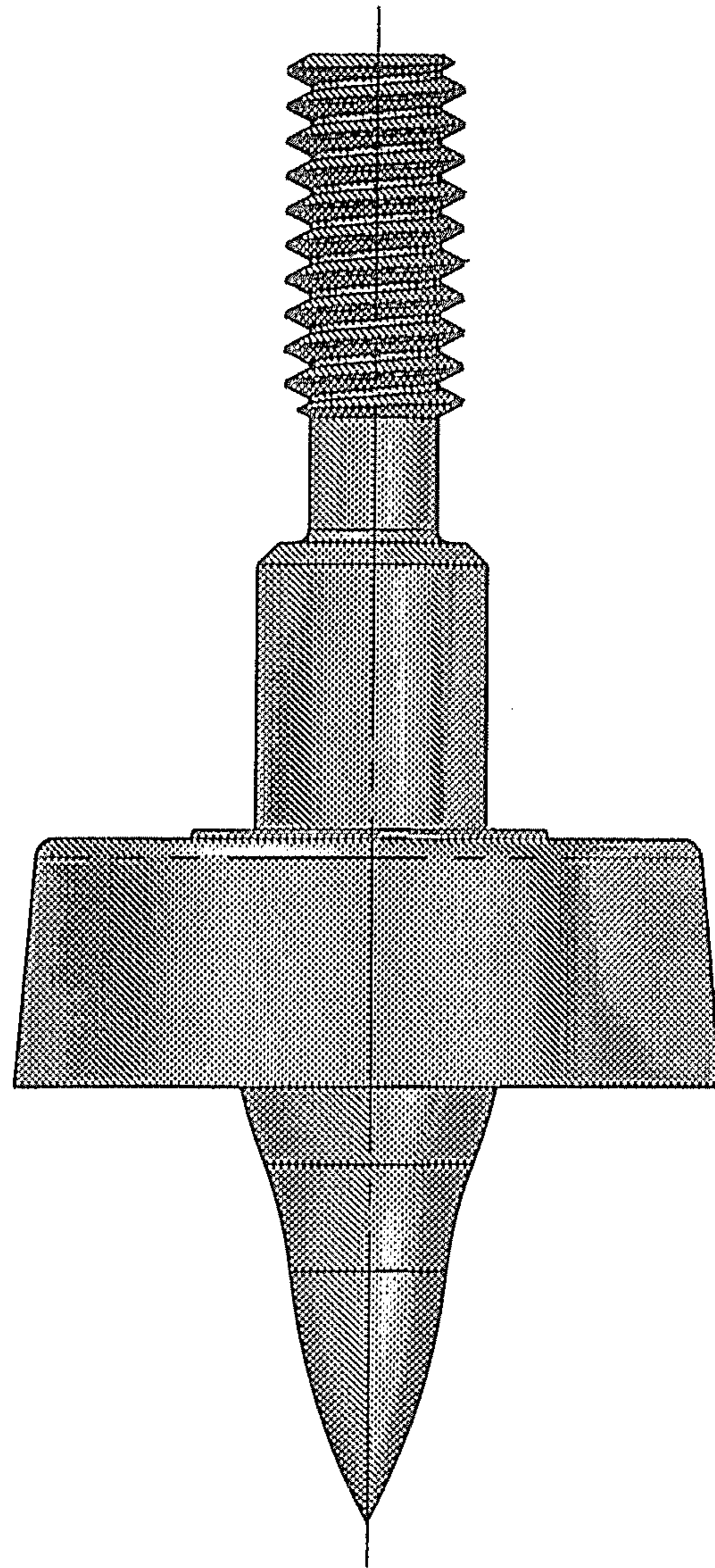


FIG. 5