

US00D731019S

(12) **United States Design Patent**
Fabbri

(10) **Patent No.:** **US D731,019 S**
(45) **Date of Patent:** **** Jun. 2, 2015**

- (54) **MERRY-GO-ROUND**
- (71) Applicant: **FABBRI GROUP CONSORZIO**, Calto (IT)
- (72) Inventor: **Enrico Fabbri**, Bergantino (IT)
- (73) Assignee: **FABBRI GROUP CONSORZIO**, Calto (RO) (IT)
- (**) Term: **14 Years**
- (21) Appl. No.: **29/480,736**
- (22) Filed: **Jan. 29, 2014**
- (51) **LOC (10) Cl.** **21-02**
- (52) **U.S. Cl.**
USPC **D21/830**
- (58) **Field of Classification Search**
USPC D21/811, 814, 828-830; 472/1, 3, 30, 472/32
See application file for complete search history.

D186,524 S *	11/1959	Bowers	D21/830
3,018,101 A *	1/1962	Mir et al.	472/23
D216,404 S *	12/1969	Froehlich	D21/830
3,529,816 A *	9/1970	Barber	472/3
D249,081 S *	8/1978	Zick	D21/830
D334,788 S *	4/1993	Blankenagel	D21/830
6,328,658 B1 *	12/2001	Gnezdilov	472/32
D462,411 S *	9/2002	Paas	D21/830
D697,572 S *	1/2014	Martin	D21/830

* cited by examiner

Primary Examiner — Mitchell Siegel
(74) *Attorney, Agent, or Firm* — R. Neil Sudol; Henry D. Coleman

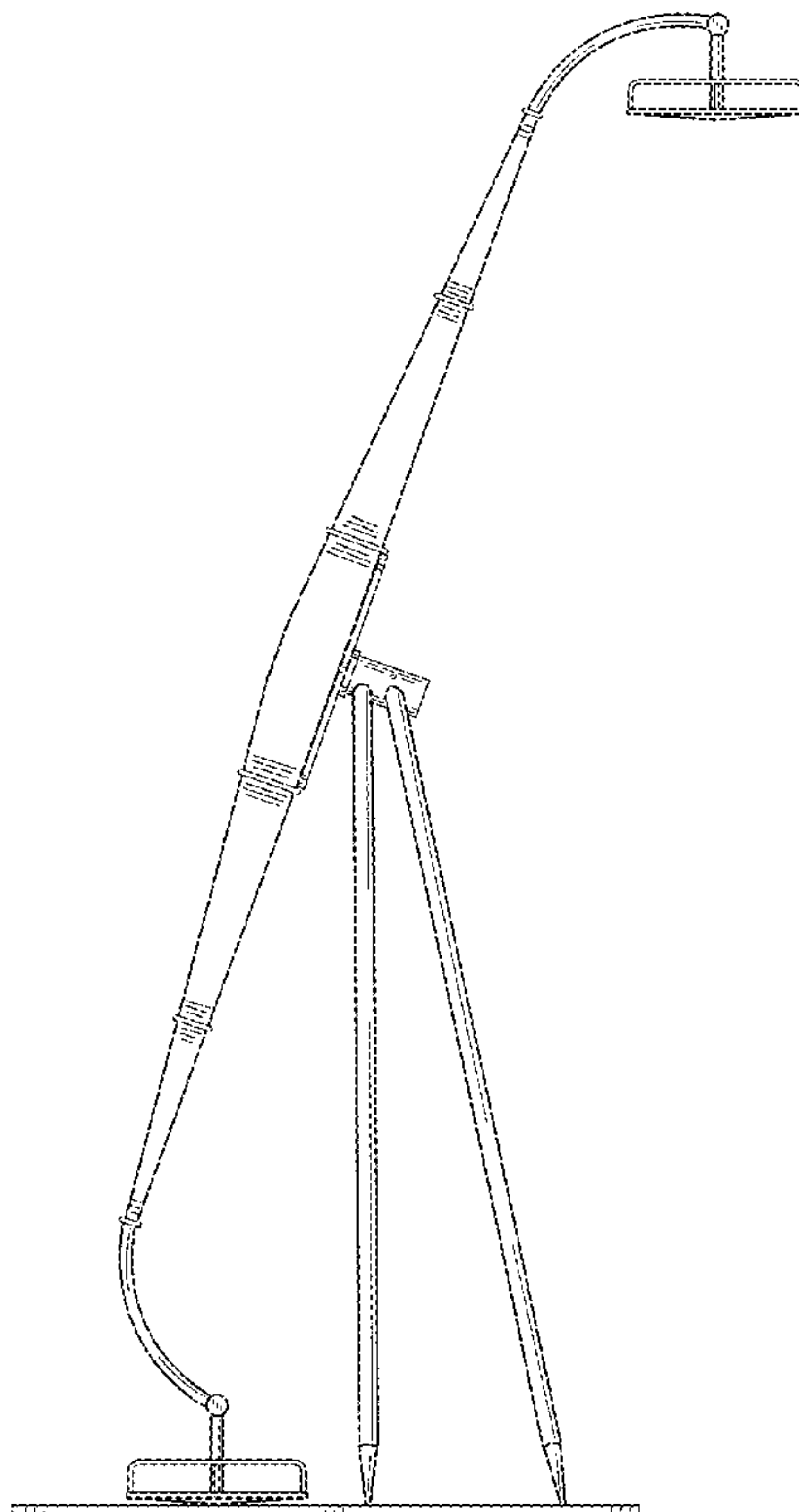
(57) **CLAIM**
An ornamental design for merry-go-round, as shown and described.

DESCRIPTION

FIG. 1 is a front elevational view of merry-go-round, showing a new design in accordance with the present invention; FIG. 2 is right side elevational view thereof, the left side elevational view being a mirror image of the right side elevational view; FIG. 3 is rear elevational view thereof; FIG. 4 is left, rear and top perspective view thereof; FIG. 5 is right, rear and top perspective view thereof; and, FIG. 6 is a top plan view thereof.

1 Claim, 6 Drawing Sheets

- (56) **References Cited**
U.S. PATENT DOCUMENTS
946,639 A * 1/1910 Lewis 472/30
2,101,274 A * 12/1937 Stanzel 472/30
D177,769 S * 5/1956 Smoker D21/830



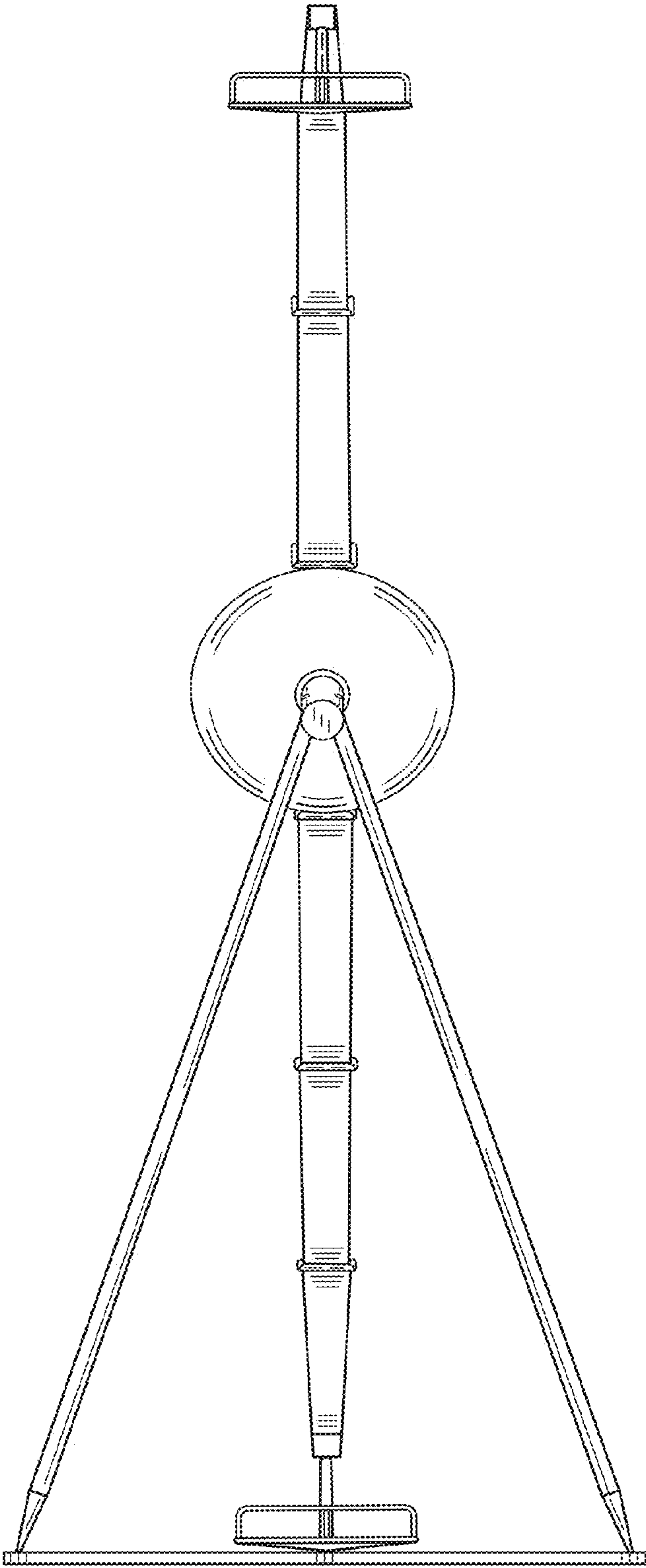


FIG. 1

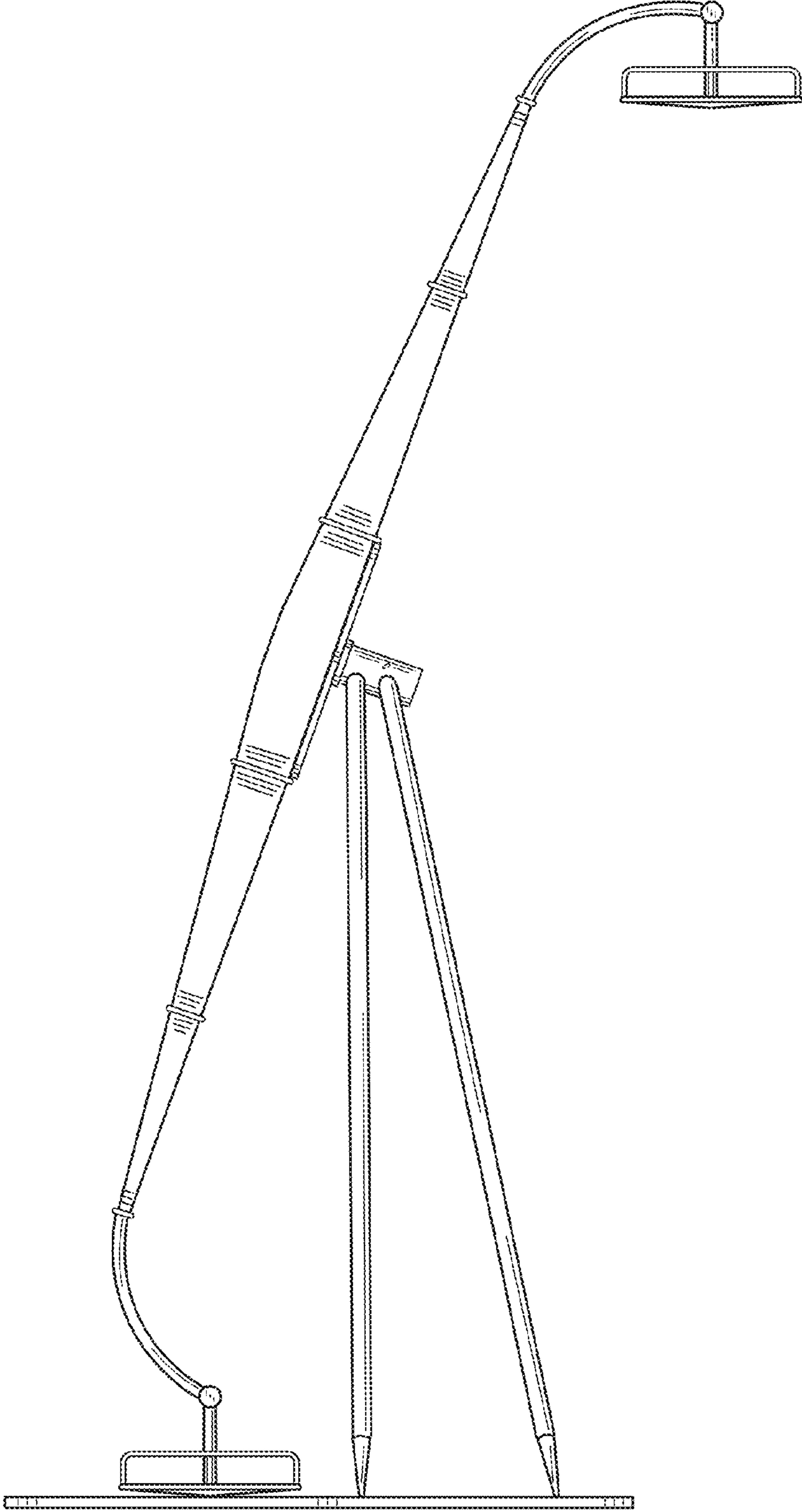


FIG. 2

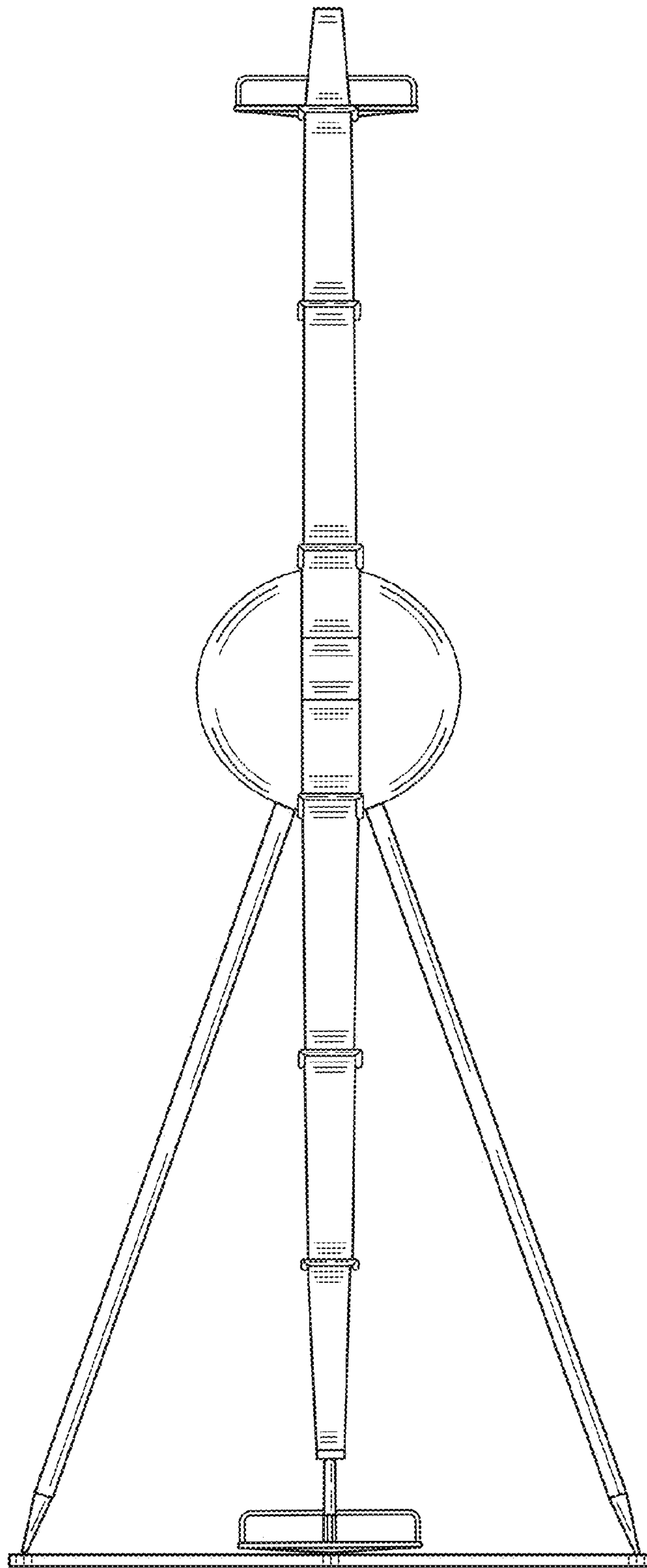


FIG. 3

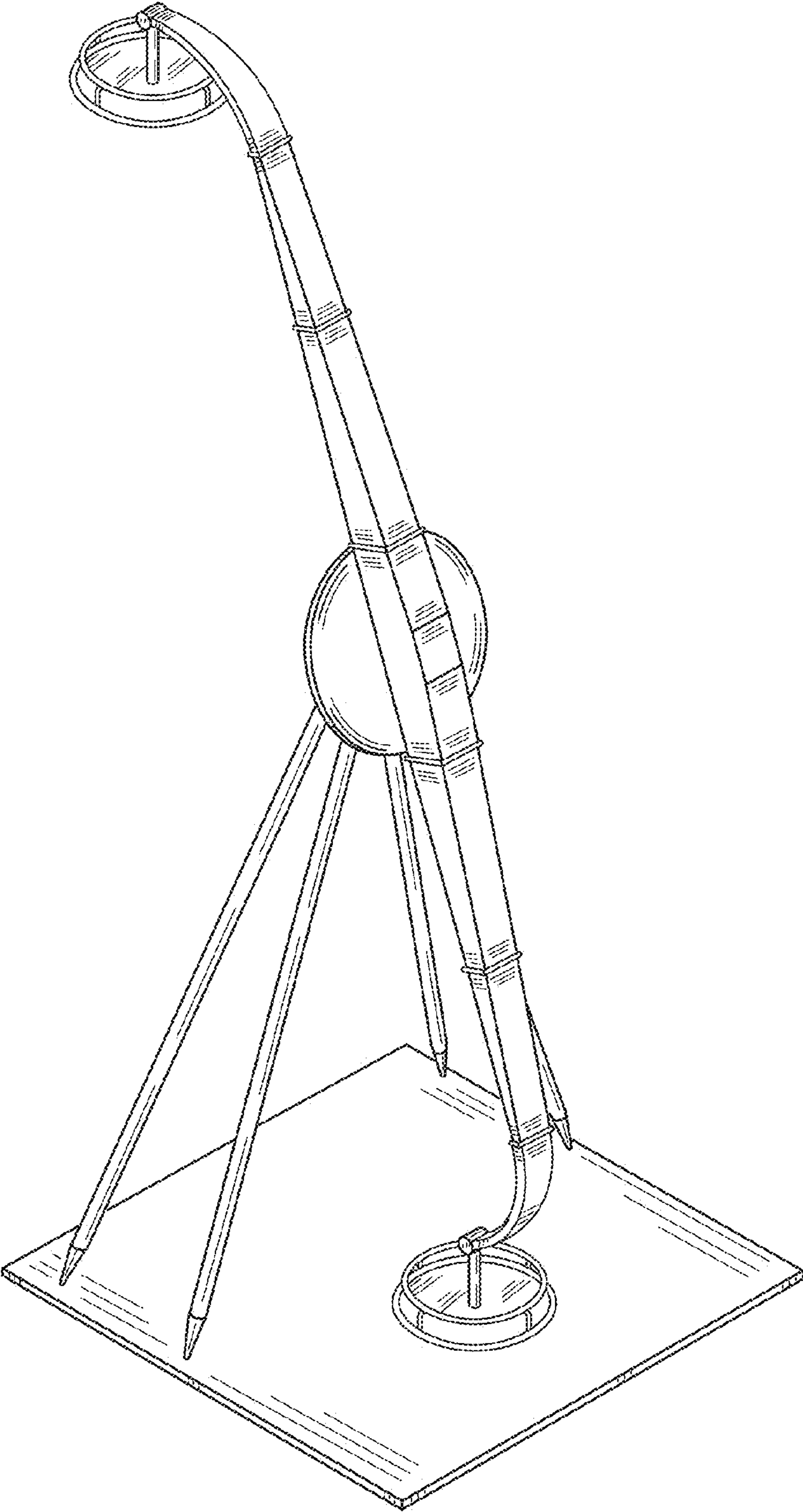


FIG. 4

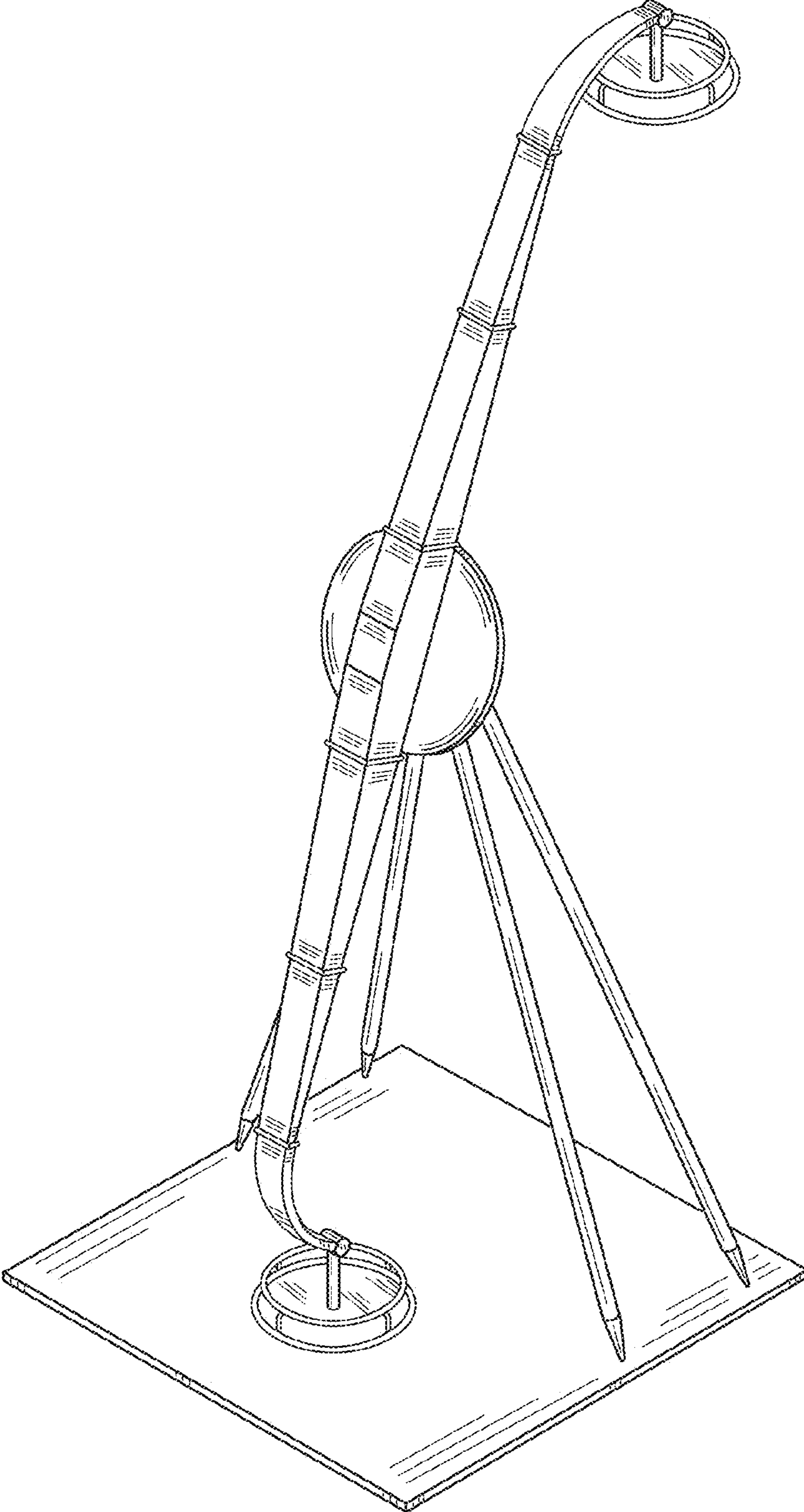


FIG. 5

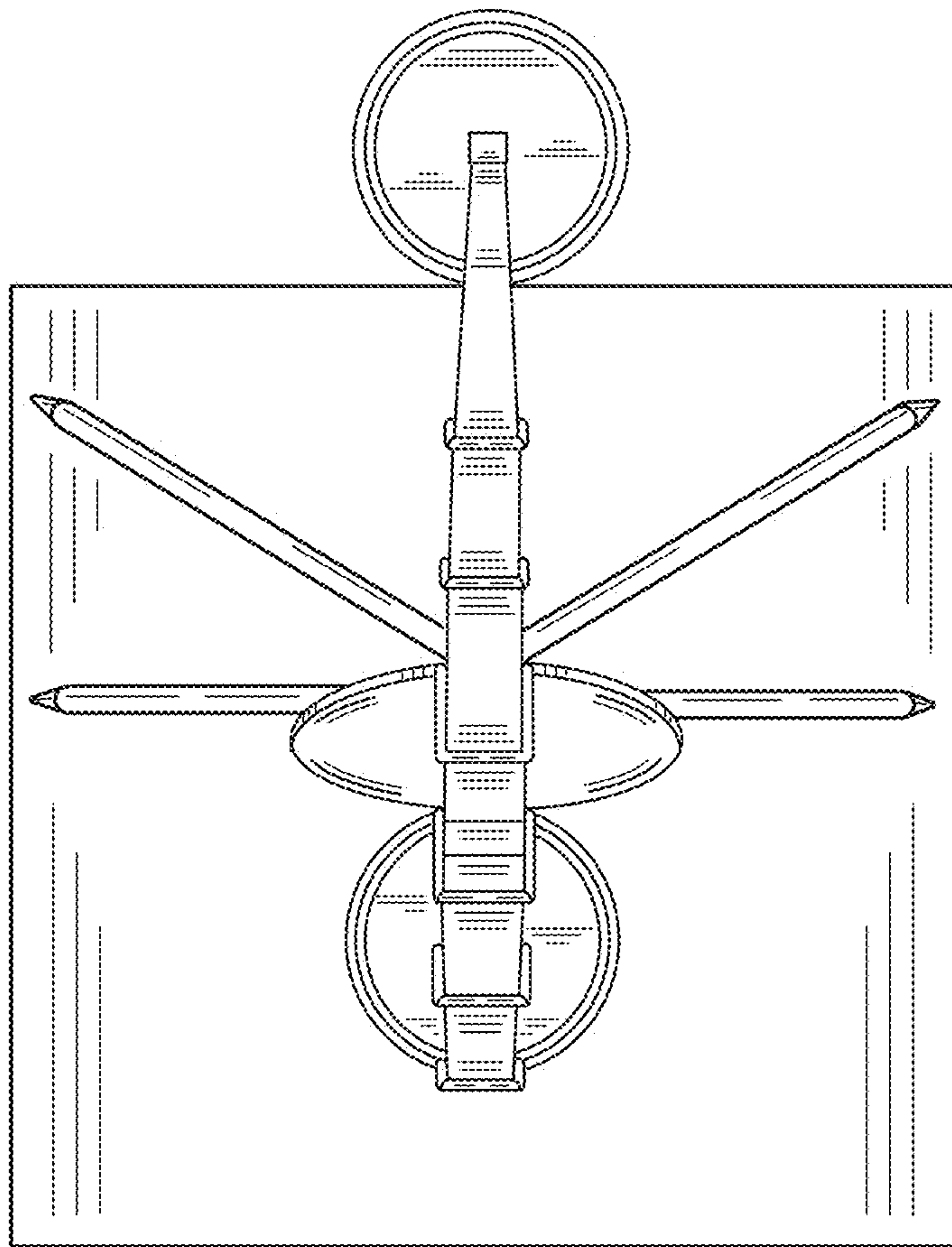


FIG. 6