



US00D731018S

(12) **United States Design Patent**
Svendsen

(10) **Patent No.:** **US D731,018 S**
(45) **Date of Patent:** **** Jun. 2, 2015**

- (54) **WATER SLIDE**
- (71) Applicant: **S. R. Smith, LLC**, Canby, OR (US)
- (72) Inventor: **William J. Svendsen**, Aurora, OR (US)
- (73) Assignee: **S.R. Smith, LLC**, Canby, OR (US)
- (**) Term: **14 Years**
- (21) Appl. No.: **29/485,378**
- (22) Filed: **Mar. 18, 2014**

- D372,065 S * 7/1996 Gilles D21/821
- D418,895 S * 1/2000 Ruggiero D21/818
- D429,788 S * 8/2000 Sutton et al. D21/818
- 6,375,578 B1 4/2002 Briggs

(Continued)

OTHER PUBLICATIONS

Brochure: SR Smith, LLC "Pool Slides" (2010), downloaded Jan. 2013 from <http://www.srsmith.com> (three pages).

(Continued)

Primary Examiner — Mitchell Siegel

(74) *Attorney, Agent, or Firm* — Stoel Rives LLP

Related U.S. Application Data

- (62) Division of application No. 29/444,242, filed on Jan. 28, 2013, now Pat. No. Des. 703,782.
- (51) **LOC (10) Cl.** **21-03**
- (52) **U.S. Cl.**
USPC **D21/821**
- (58) **Field of Classification Search**
USPC D21/811, 814, 818–822, 826;
472/116–117; 193/12
See application file for complete search history.

(57) **CLAIM**

The ornamental design for a water slide, as shown and described.

DESCRIPTION

FIG. 1 is a top right isometric view of a water slide showing the new design;
 FIG. 2 is a front side elevation view thereof;
 FIG. 3 is a rear side elevation view thereof;
 FIG. 4 is a right side elevation view thereof;
 FIG. 5 is a left side elevation view thereof;
 FIG. 6 is a top plan view thereof;
 FIG. 7 is a bottom plan view thereof;
 FIG. 8 is a top right isometric view of a second embodiment of the water slide;
 FIG. 9 is a front side elevation view of thereof;
 FIG. 10 is a rear side elevation view of thereof;
 FIG. 11 is a right side elevation view of thereof;
 FIG. 12 is a left side elevation view of thereof;
 FIG. 13 is a top plan view of thereof; and,
 FIG. 14 is a bottom plan view of thereof.

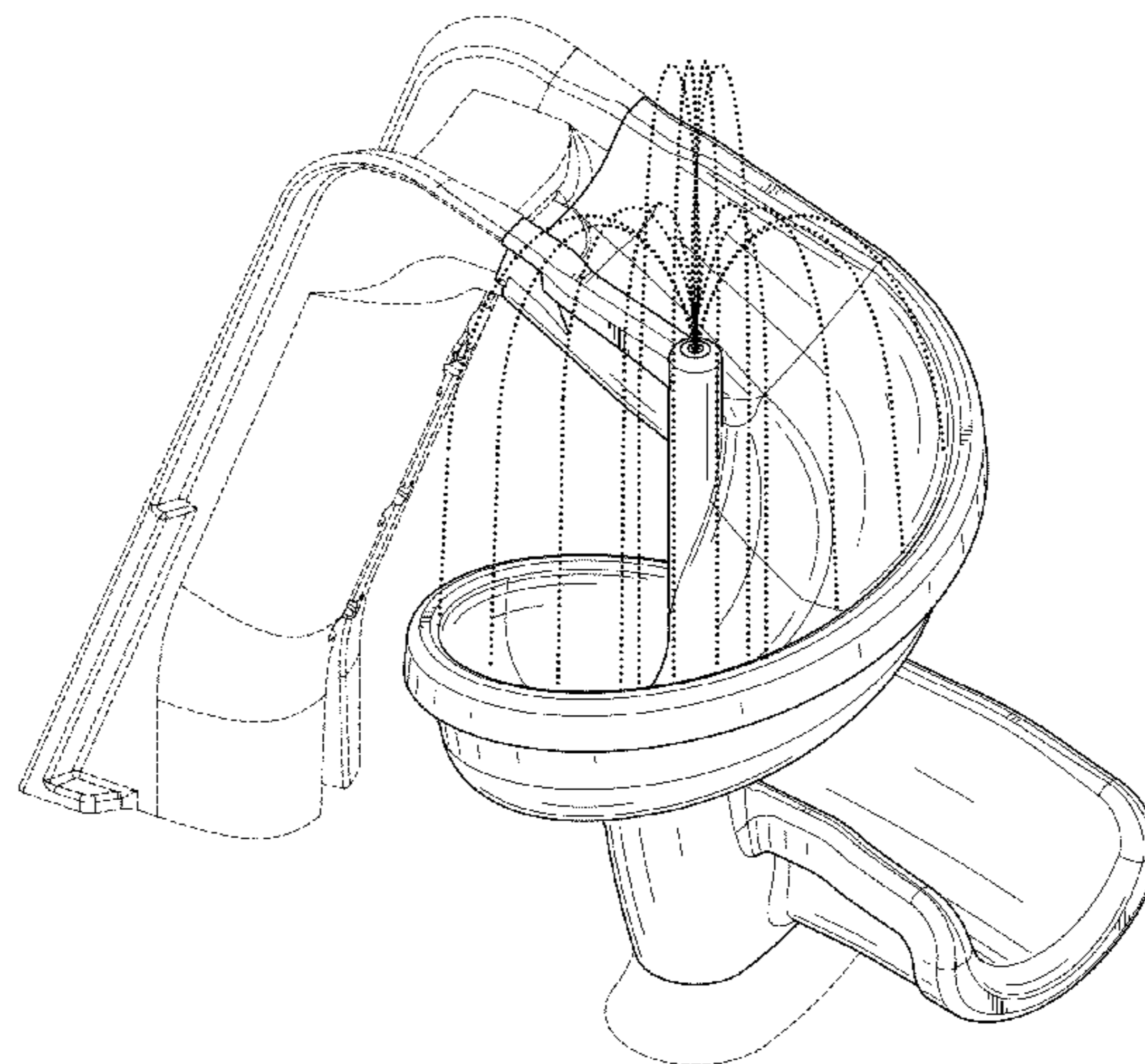
The broken line showing of base and steps is included for the purpose of illustrating and forms no part of the claimed design. The dotted lines are illustrating the water spray patterns.

(56) **References Cited**

U.S. PATENT DOCUMENTS

- D218,625 S * 9/1970 Ahrens D21/821
- 3,565,226 A * 2/1971 Winchester 193/12
- D221,963 S * 9/1971 Henning D21/821
- D227,382 S * 6/1973 Wormser D21/821
- 3,755,878 A * 9/1973 Henning 193/12
- 3,814,418 A * 6/1974 Henning 472/116
- D250,784 S * 1/1979 Dieter et al. D21/821
- D262,230 S * 12/1981 Ament et al. D21/820
- D268,859 S * 5/1983 Ament et al. D21/820
- 4,805,898 A 2/1989 Jacober et al.
- 4,893,807 A * 1/1990 Ahrens 472/116
- D335,517 S * 5/1993 Vatterot D21/821
- D344,317 S * 2/1994 Petersheim D21/821
- 5,378,197 A 1/1995 Briggs
- D361,614 S * 8/1995 Aker et al. D21/821
- 5,478,281 A 12/1995 Forton

1 Claim, 12 Drawing Sheets



(56)

References Cited

U.S. PATENT DOCUMENTS

6,575,840 B2 6/2003 Hagerty
D577,408 S * 9/2008 Ketcherside et al. D21/821
D589,110 S * 3/2009 Ketcherside et al. D21/818
D594,079 S * 6/2009 Ketcherside et al. D21/821
D703,782 S * 4/2014 Svendsen D21/821

OTHER PUBLICATIONS

Brochure: SR Smith, LLC "TurboTwister" model pool slide (2012), downloaded Jan. 2013 from <http://www.srsmith.com/media/47937/turbotwister0312.pdf> (one page).

Brochure: SR Smith, LLC "Vortex™" model pool slide (2012), downloaded Jan. 2013 from www.srsmith.com/products/pool-slides/vortex.aspx (one page).

Brochure: SR Smith, LLC "Typhoon™" model pool slide (2012) downloaded Jan. 2013 from <http://www.srsmith.com/media/47943/typhoon0312.pdf> (one page).

Brochure: Inter-Fab "G-Force2Slide" (2008), downloaded Jan. 2014 from <http://www.interfab.com/getattachment/7c633152-bd06-4927-b344-88196bbd56d1/G-Force.aspx> (one page).

Online Brochure: King's Fibreglass "Swimming Pool Slides" (2012), http://www.kingsfibreglass.com.au/kings_fibreglass_pool_slides.html Visited Dec. 12, 2013 (two pages).

Svendsen, U.S. Appl. No. 61/757,700, filed Jan. 28, 2013, titled Water Slide with Spray Fountain Delivery System.

Svendsen, U.S. Appl. No. 14/165,418, filed Jan. 27, 2014, titled Water Slide with Spray Fountain Delivery System.

* cited by examiner

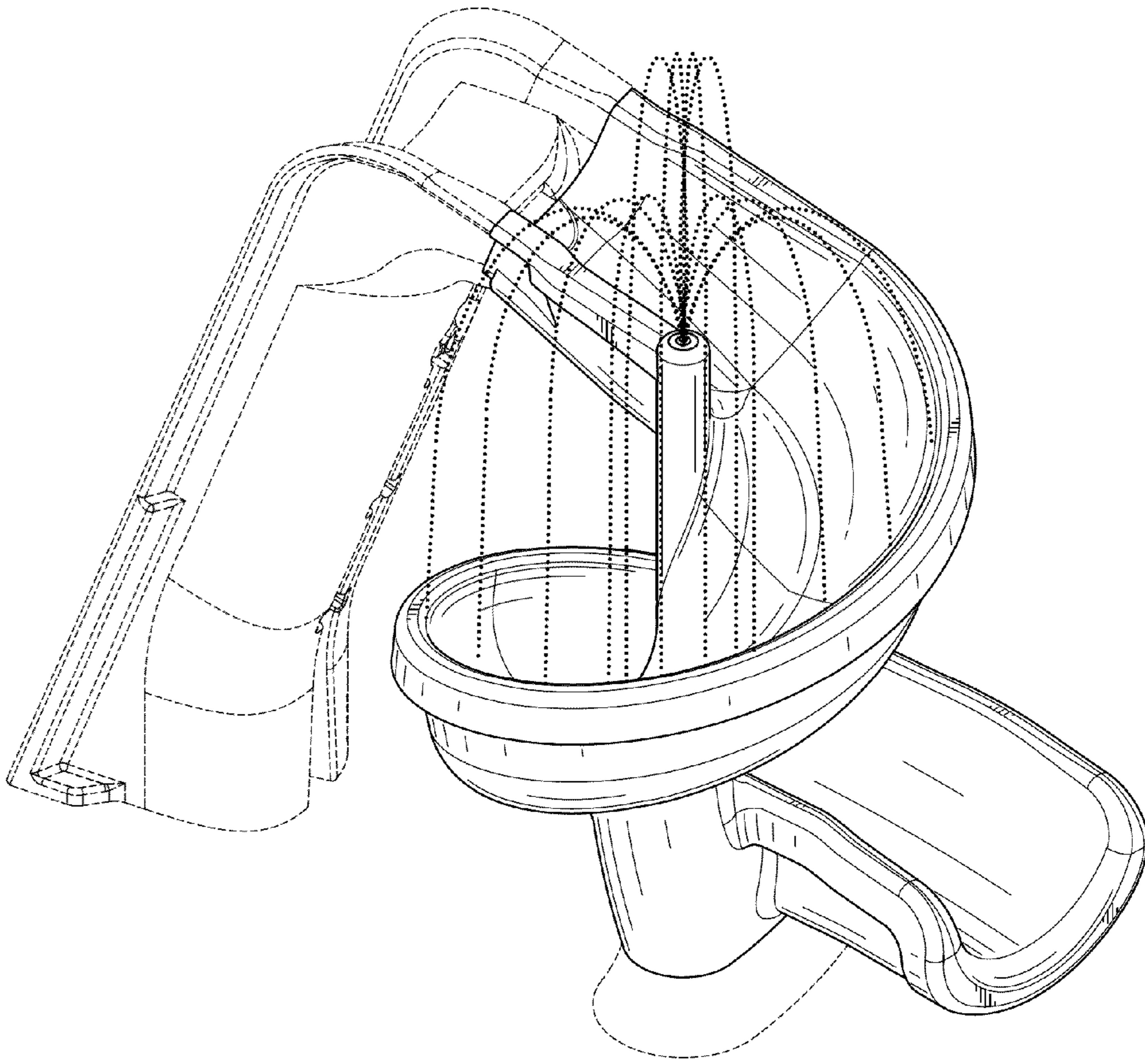


FIG. 1

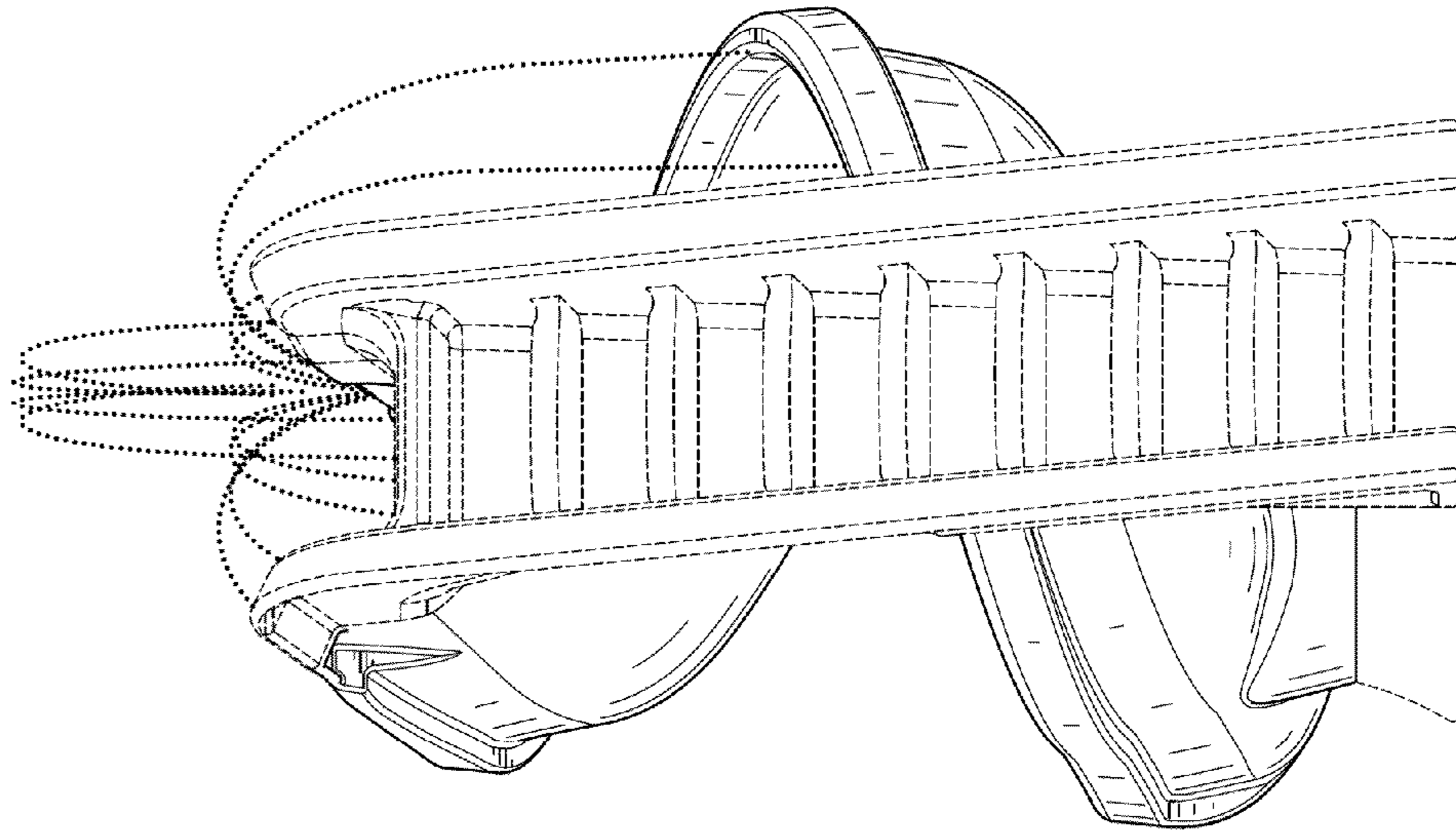


FIG. 3

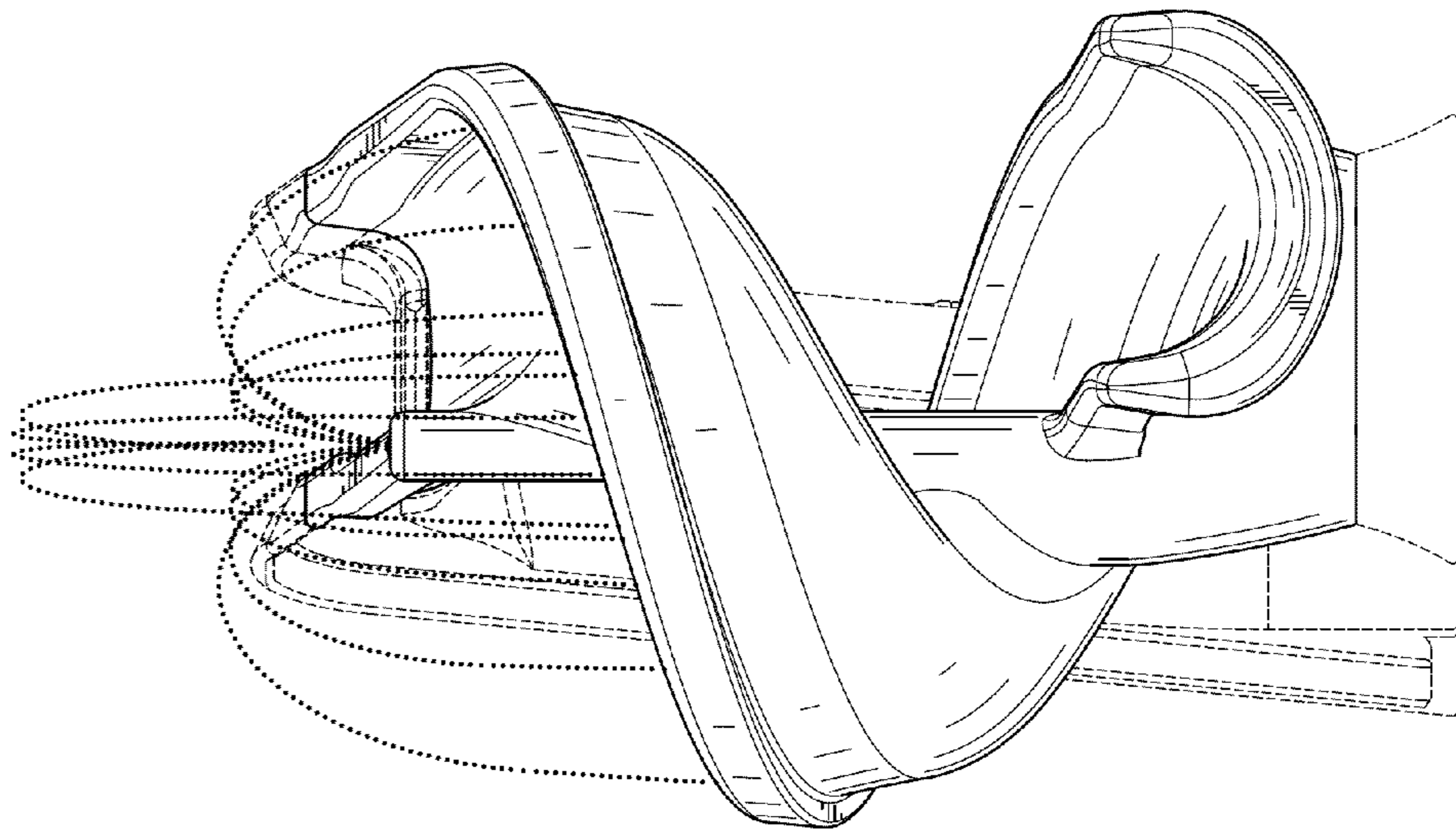


FIG. 2

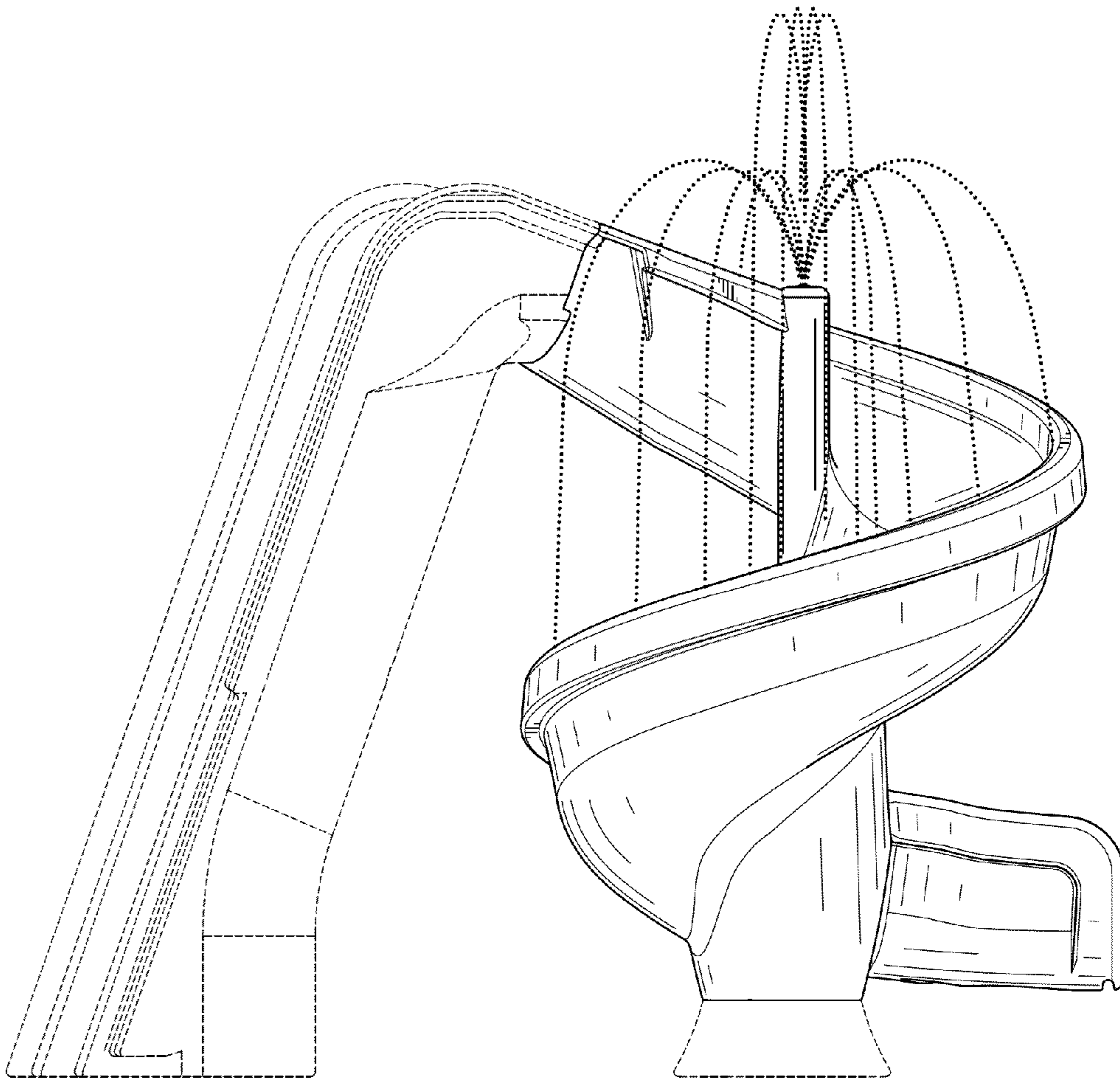


FIG. 4

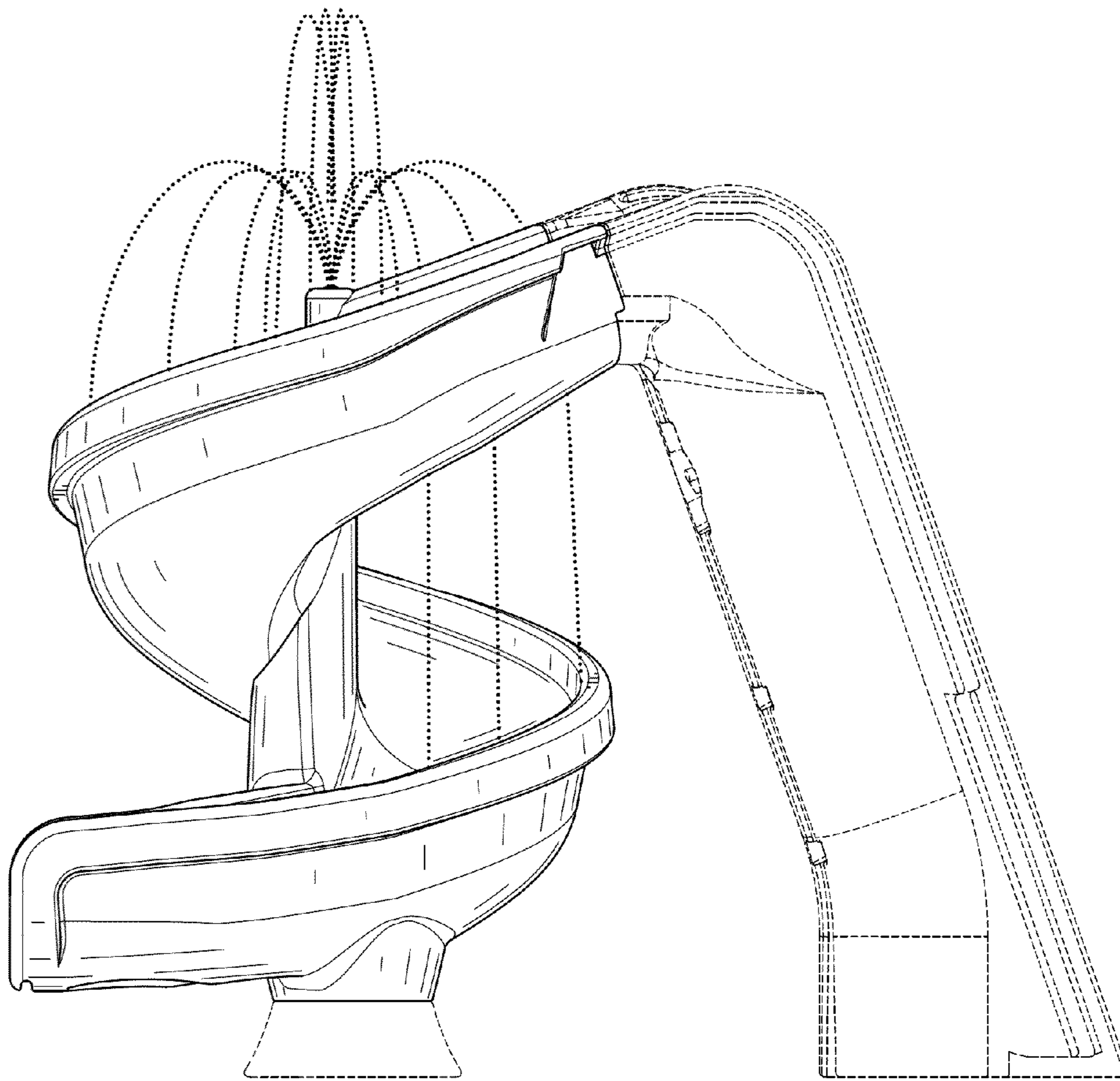


FIG. 5

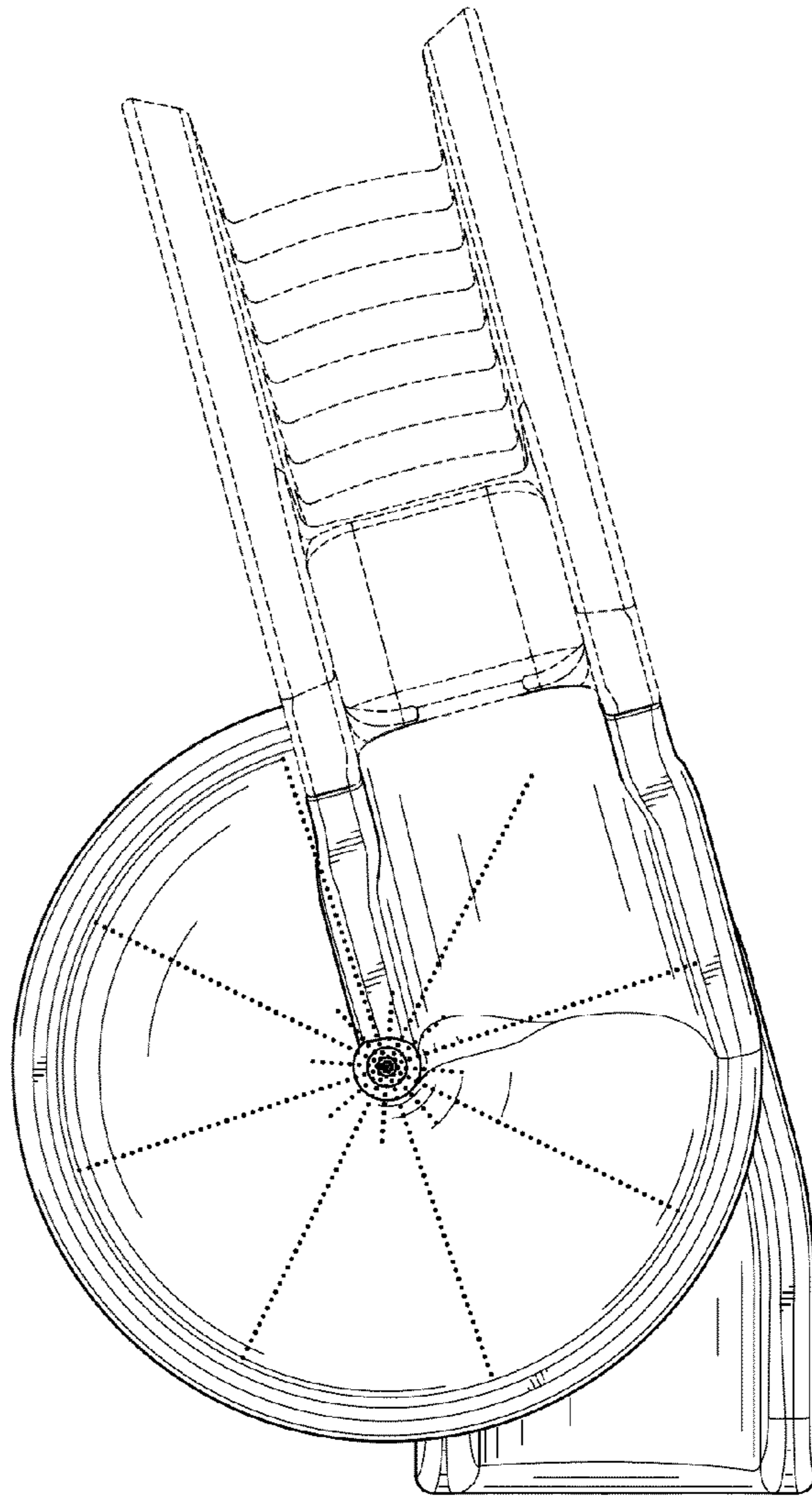


FIG. 6

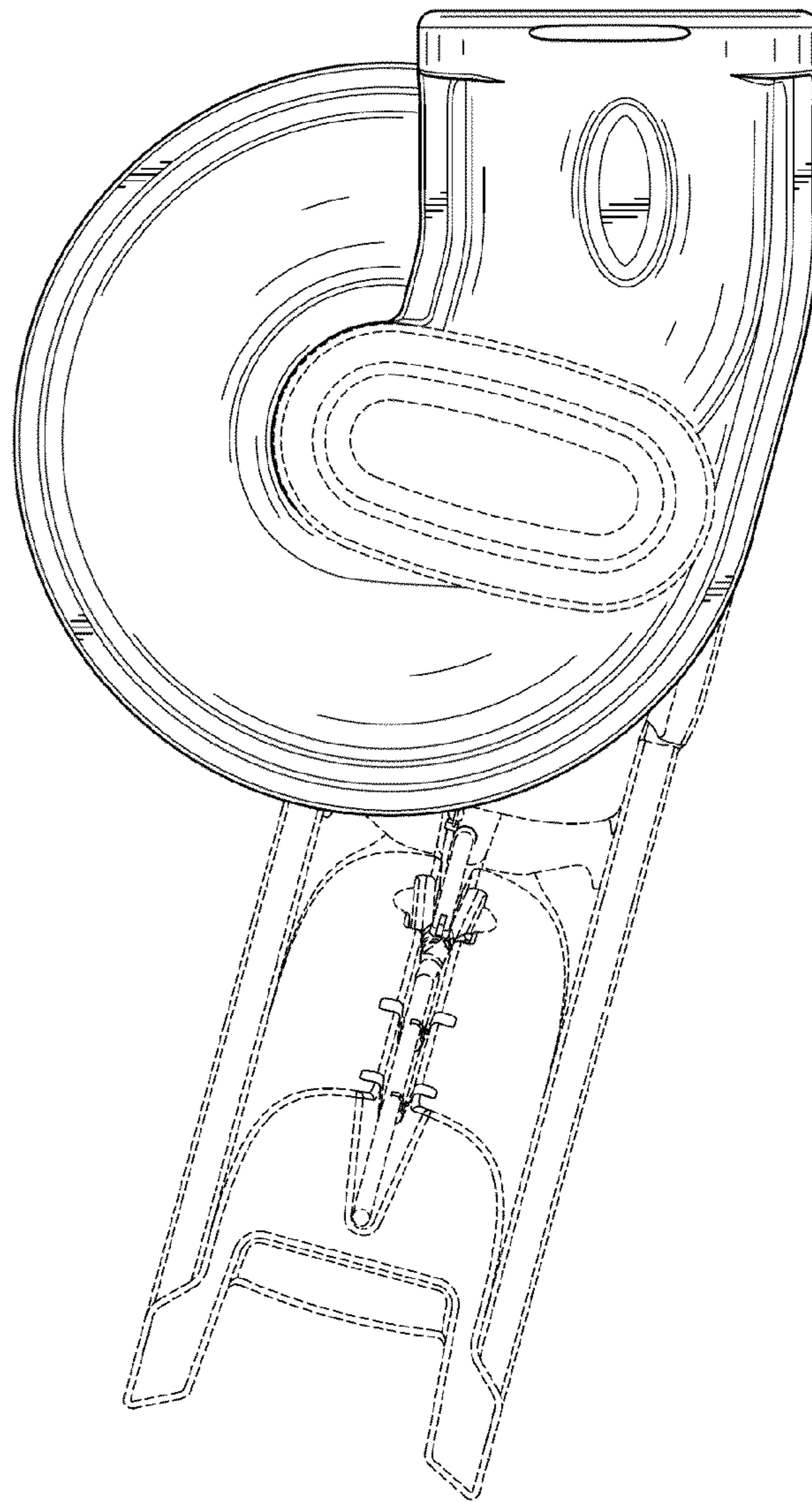


FIG. 7

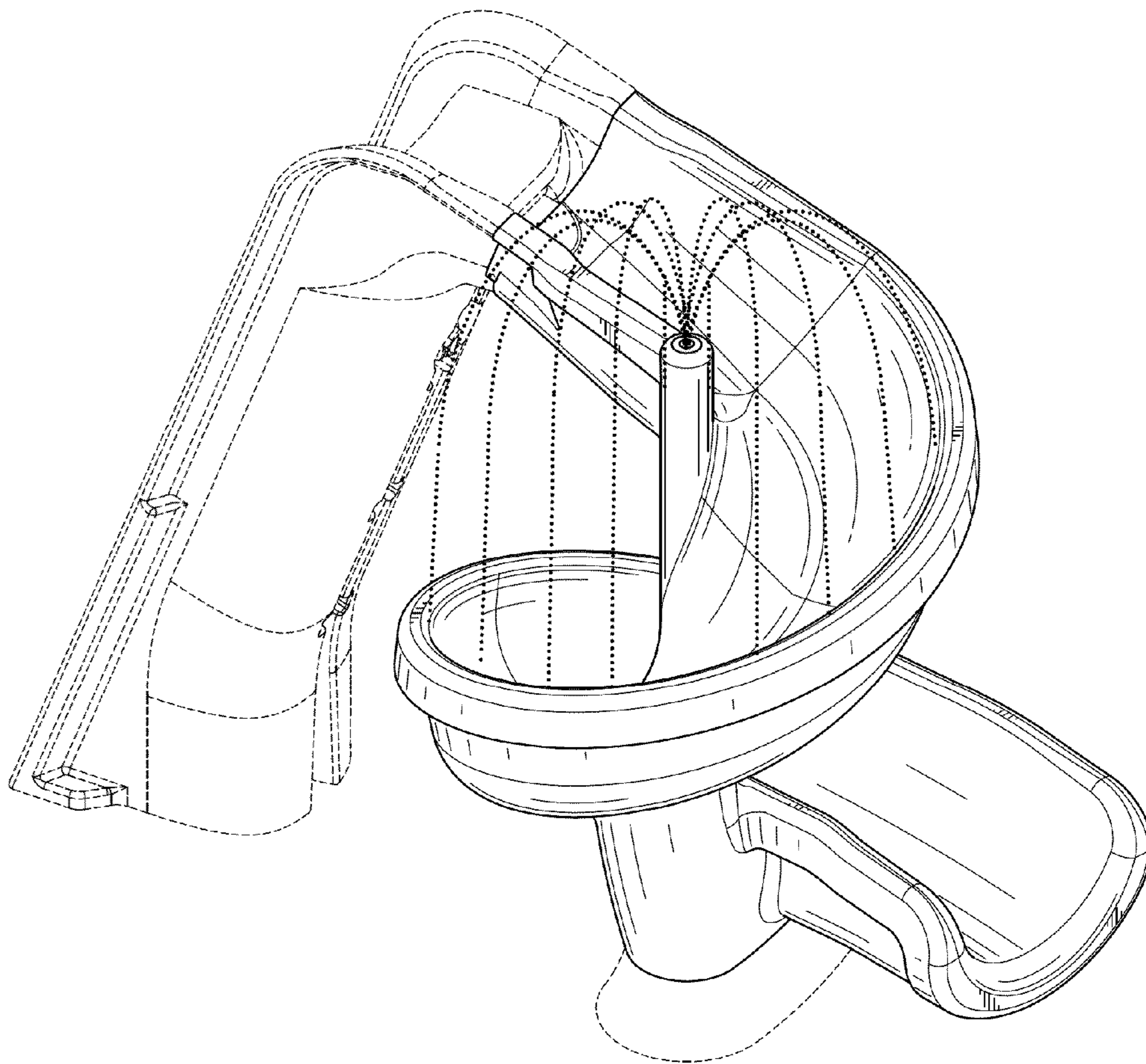


FIG. 8

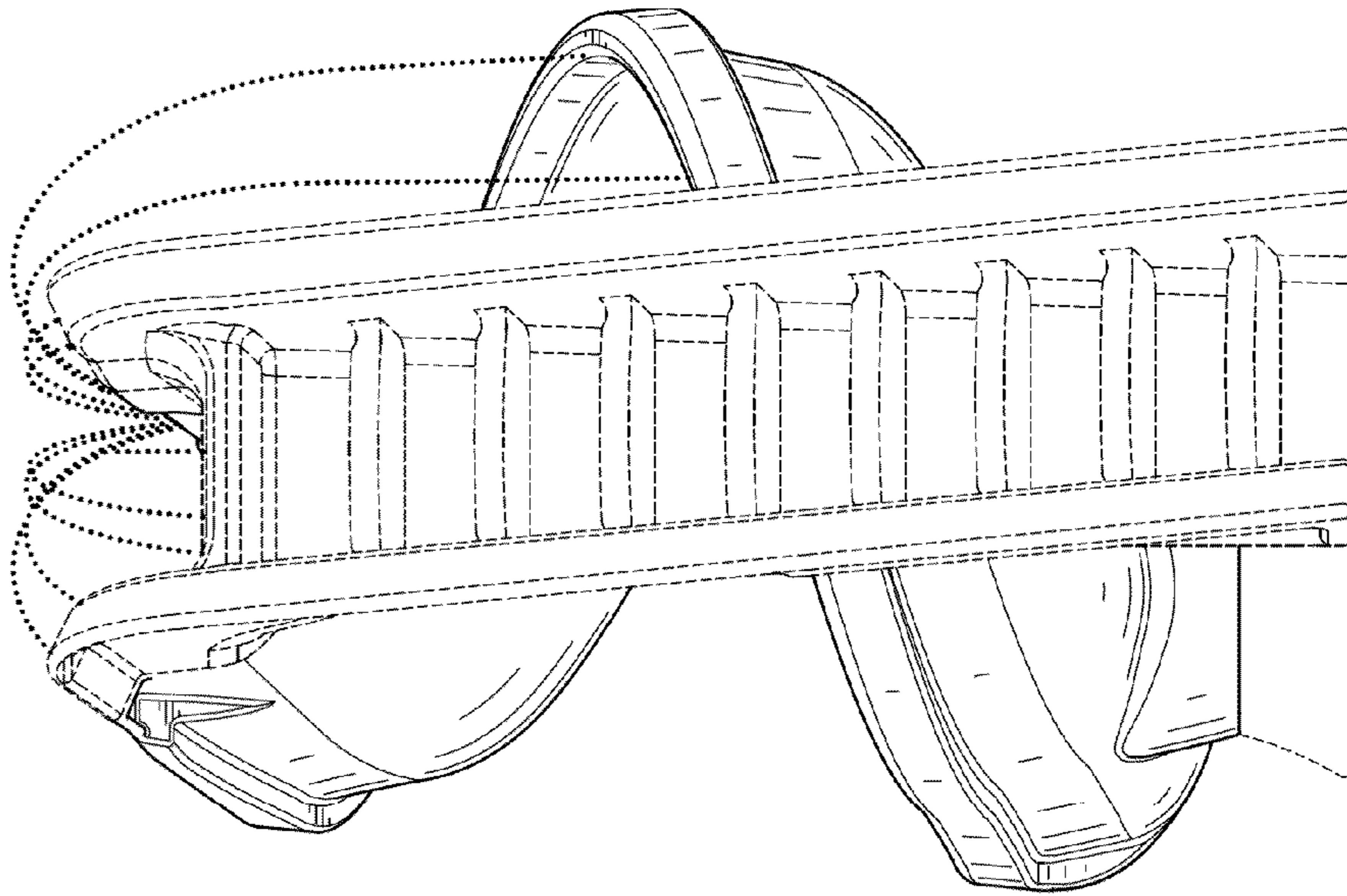


Fig. 10

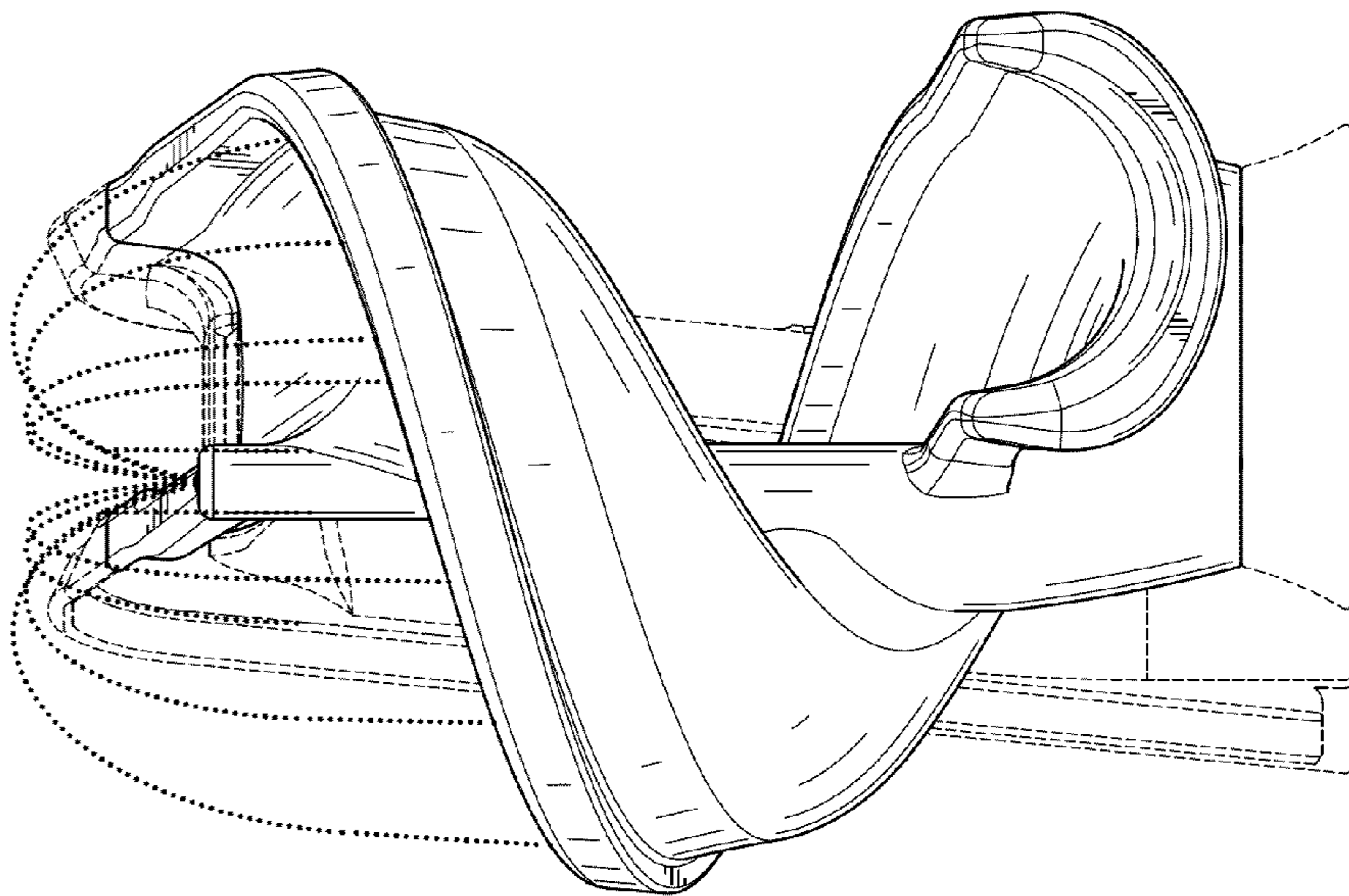


Fig. 9

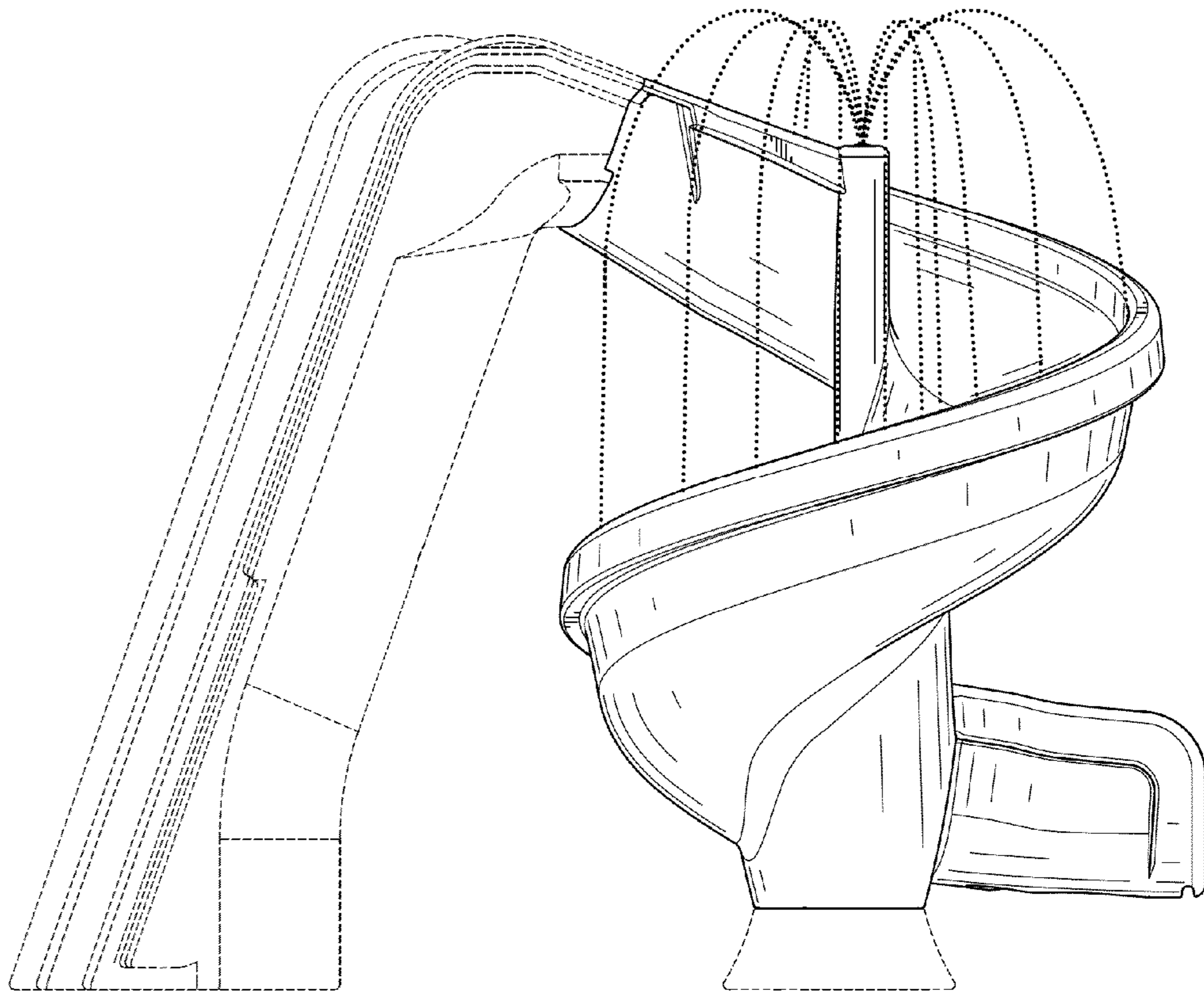


FIG. 11

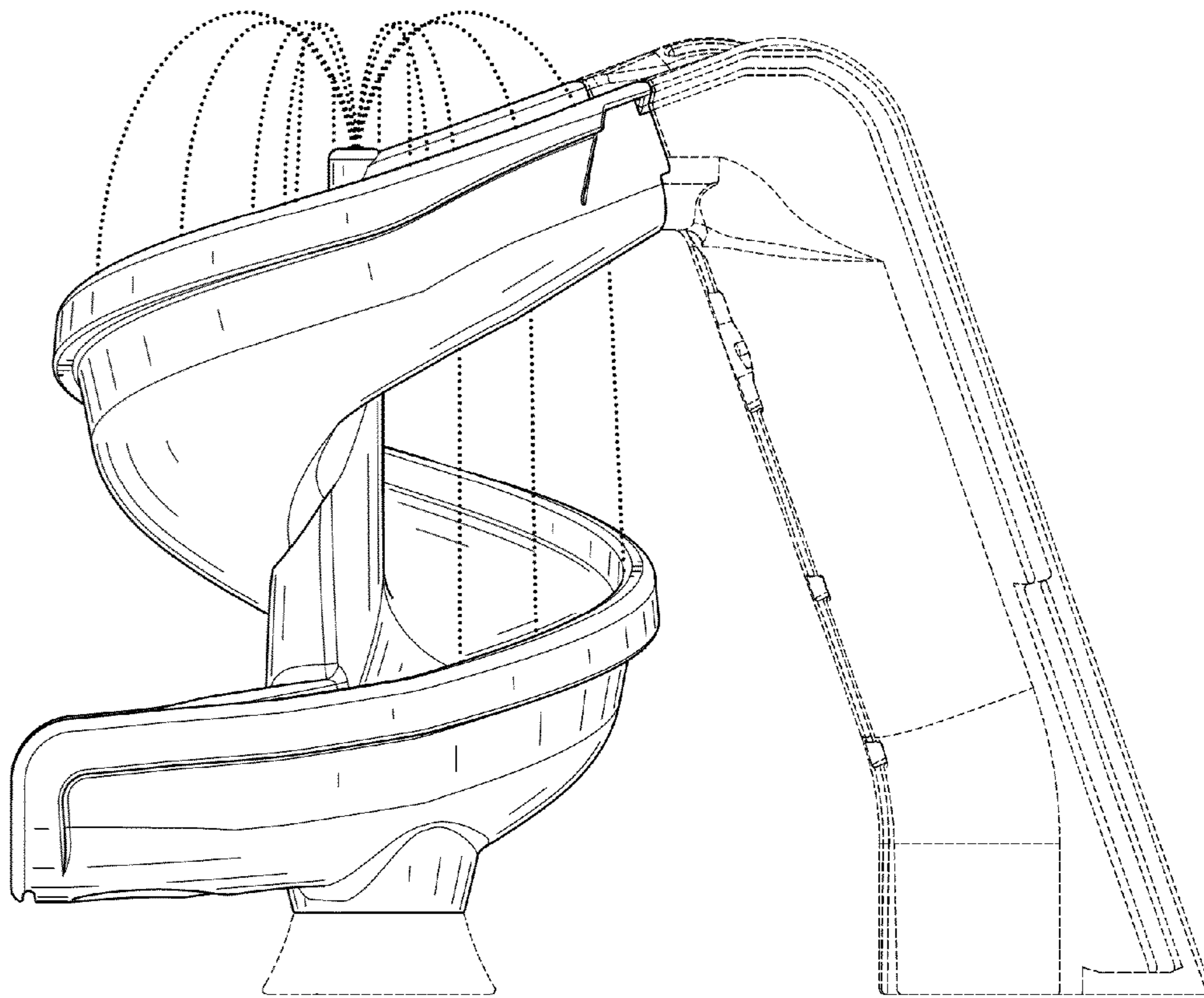


FIG. 12

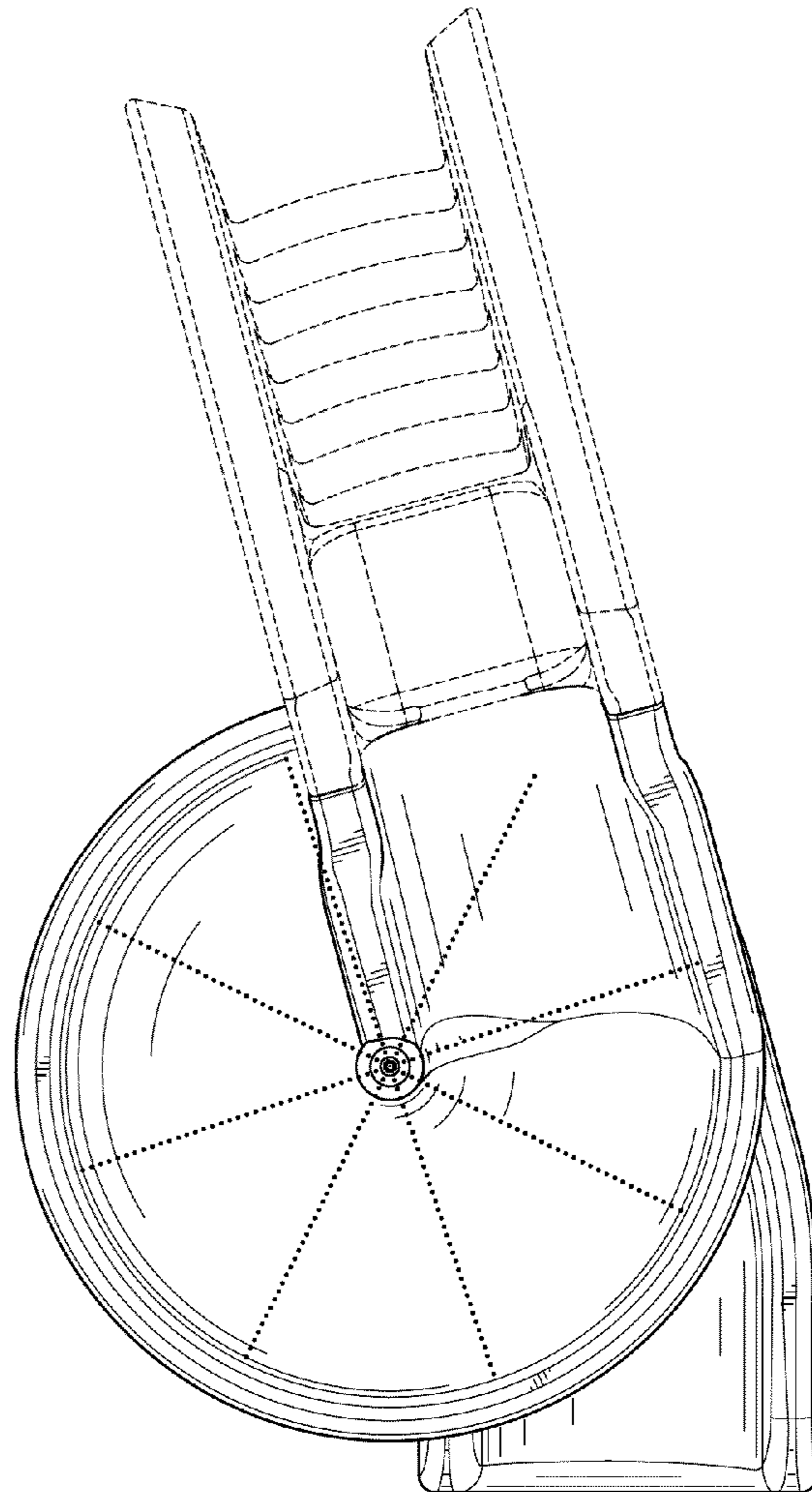


FIG. 13

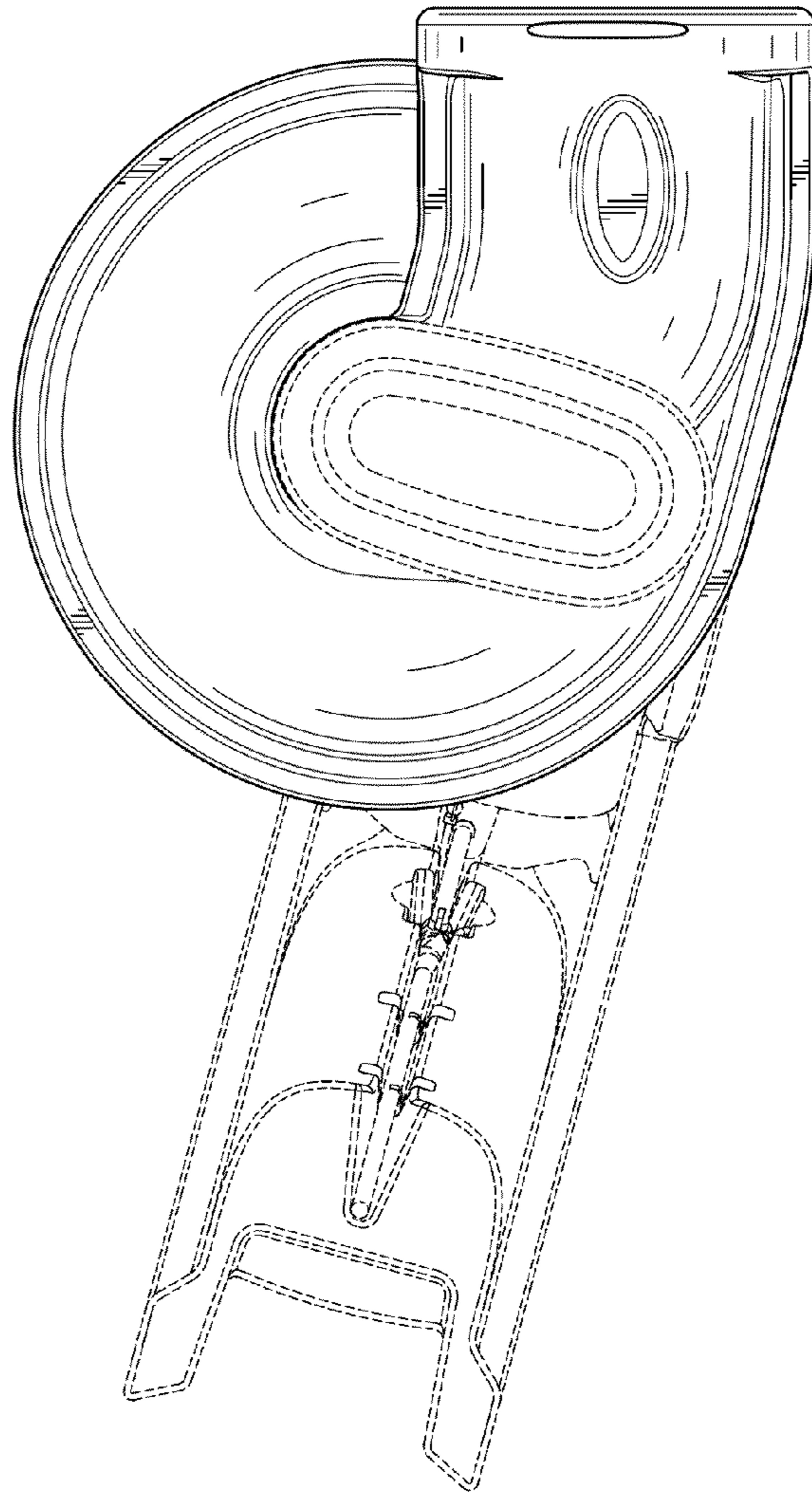


FIG. 14

UNITED STATES PATENT AND TRADEMARK OFFICE
CERTIFICATE OF CORRECTION

PATENT NO. : D731,018 S
APPLICATION NO. : 29/485378
DATED : June 2, 2015
INVENTOR(S) : William J. Svendsen

Page 1 of 1

It is certified that error appears in the above-identified patent and that said Letters Patent is hereby corrected as shown below:

Title Page

Description

Line 11, after “front side elevation view” delete “of”.

Line 12, after “rear side elevation view” delete “of”.

Line 13, after “right side elevation view” delete “of”.

Line 14, after “left side elevation view” delete “of”.

Line 15, after “top plan view” delete “of”.

Line 16, after “bottom plan view” delete “of”.

Line 17, after “of” insert --the--.

Signed and Sealed this
Fifteenth Day of March, 2016



Michelle K. Lee
Director of the United States Patent and Trademark Office