



US00D731009S

(12) **United States Design Patent**
Preston

(10) **Patent No.:** **US D731,009 S**
(45) **Date of Patent:** **** Jun. 2, 2015**

- (54) **DOUBLE HANDLE DUMBBELL**
- (71) Applicant: **Renea Preston**, Peachtree, GA (US)
- (72) Inventor: **Renea Preston**, Peachtree, GA (US)
- (**) Term: **14 Years**
- (21) Appl. No.: **29/471,046**
- (22) Filed: **Oct. 28, 2013**

5,536,227	A	7/1996	Polchek et al.	
D387,827	S *	12/1997	McCarn et al.	D21/662
6,190,292	B1 *	2/2001	Panes	482/93
D454,929	S *	3/2002	Huang	D21/662
D456,051	S *	4/2002	Mitchell	D21/662
D456,864	S *	5/2002	Dantolan	D21/684
7,137,930	B1	11/2006	Carr	
7,285,080	B1	10/2007	Chiu	
D597,612	S *	8/2009	Lien	D21/681
7,837,603	B1 *	11/2010	Carnell, Sr.	482/132
8,262,546	B1	9/2012	Lashinske et al.	
D688,756	S *	8/2013	Wauldron et al.	D21/662
2001/0001094	A1 *	5/2001	Panes	482/93
2005/0003931	A1	1/2005	Mills et al.	
2006/0199709	A1	9/2006	Shepherd	

Related U.S. Application Data

- (62) Division of application No. 29/459,307, filed on Jun. 28, 2013, now Pat. No. Des. 696,736.
- (51) **LOC (10) Cl.** **21-02**
- (52) **U.S. Cl.**
USPC **D21/681**
- (58) **Field of Classification Search**
USPC D21/662, 679, 680-682, 684, 725, 756;
482/44, 45, 46, 91, 105-108, 114, 115,
482/131, 148; 294/171
CPC A63B 21/072; A63B 21/0722; A63B
21/07246; A63B 21/0728
See application file for complete search history.

* cited by examiner

Primary Examiner — Phillip S Hyder

(74) *Attorney, Agent, or Firm* — Michael Coblenz

(57) **CLAIM**

The ornamental design for a double handle dumbbell, as shown and described.

DESCRIPTION

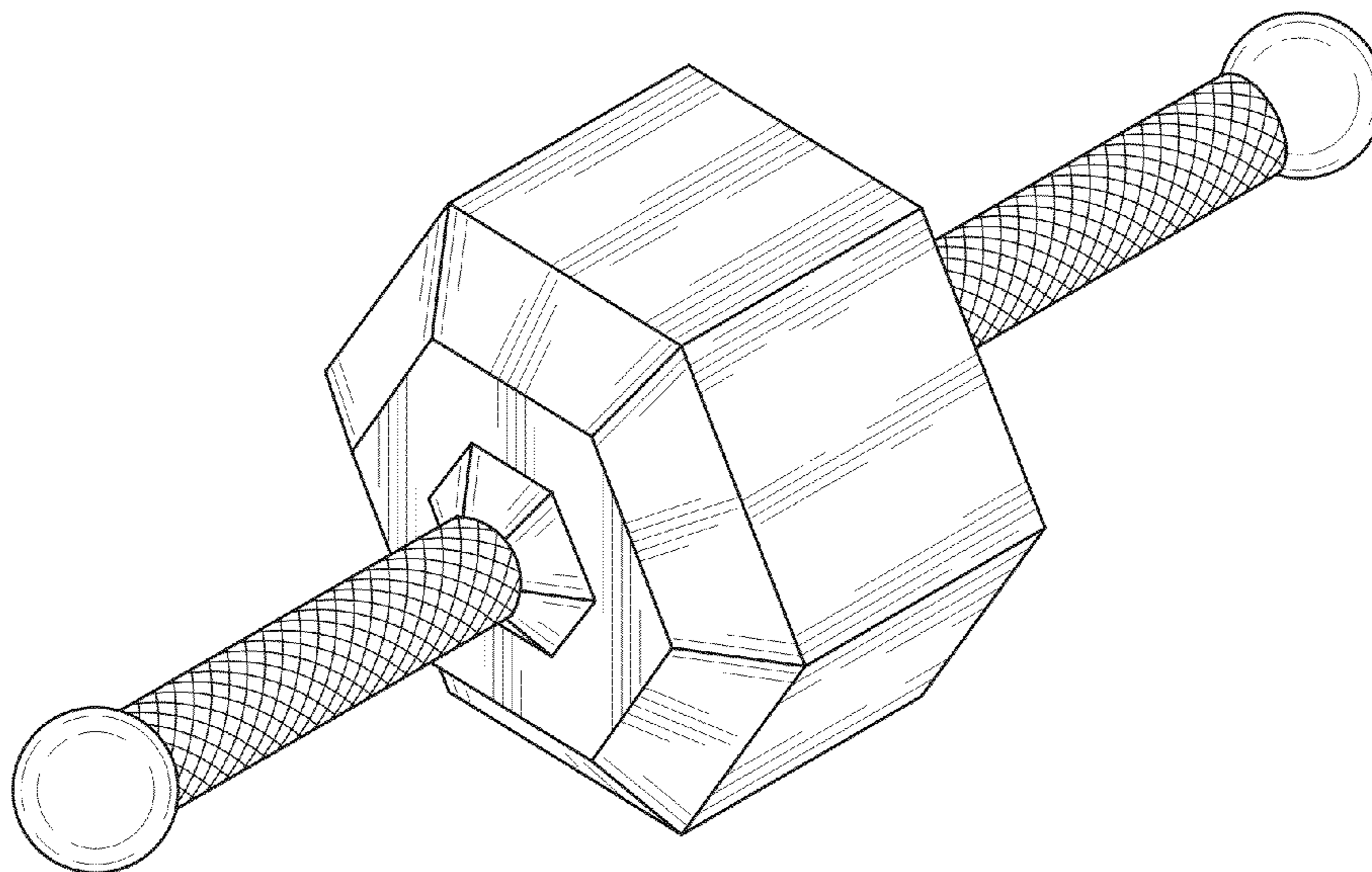
FIG. 1 is a perspective view of a double handle dumbbell showing my new design;
 FIG. 2 is a left elevation view thereof, with the right elevation being a mirror image of the left;
 FIG. 3 is a front elevation view thereof, with the back elevation being a mirror image of the front; and,
 FIG. 4 is a top plan view thereof, with the bottom plan view being a mirror image of the top.

1 Claim, 2 Drawing Sheets

(56) **References Cited**

U.S. PATENT DOCUMENTS

3,403,906	A *	10/1968	Burzenski	482/132
D301,269	S *	5/1989	Lee	D21/681
4,828,256	A	5/1989	Lee	
D306,886	S *	3/1990	Shiek et al.	D21/662



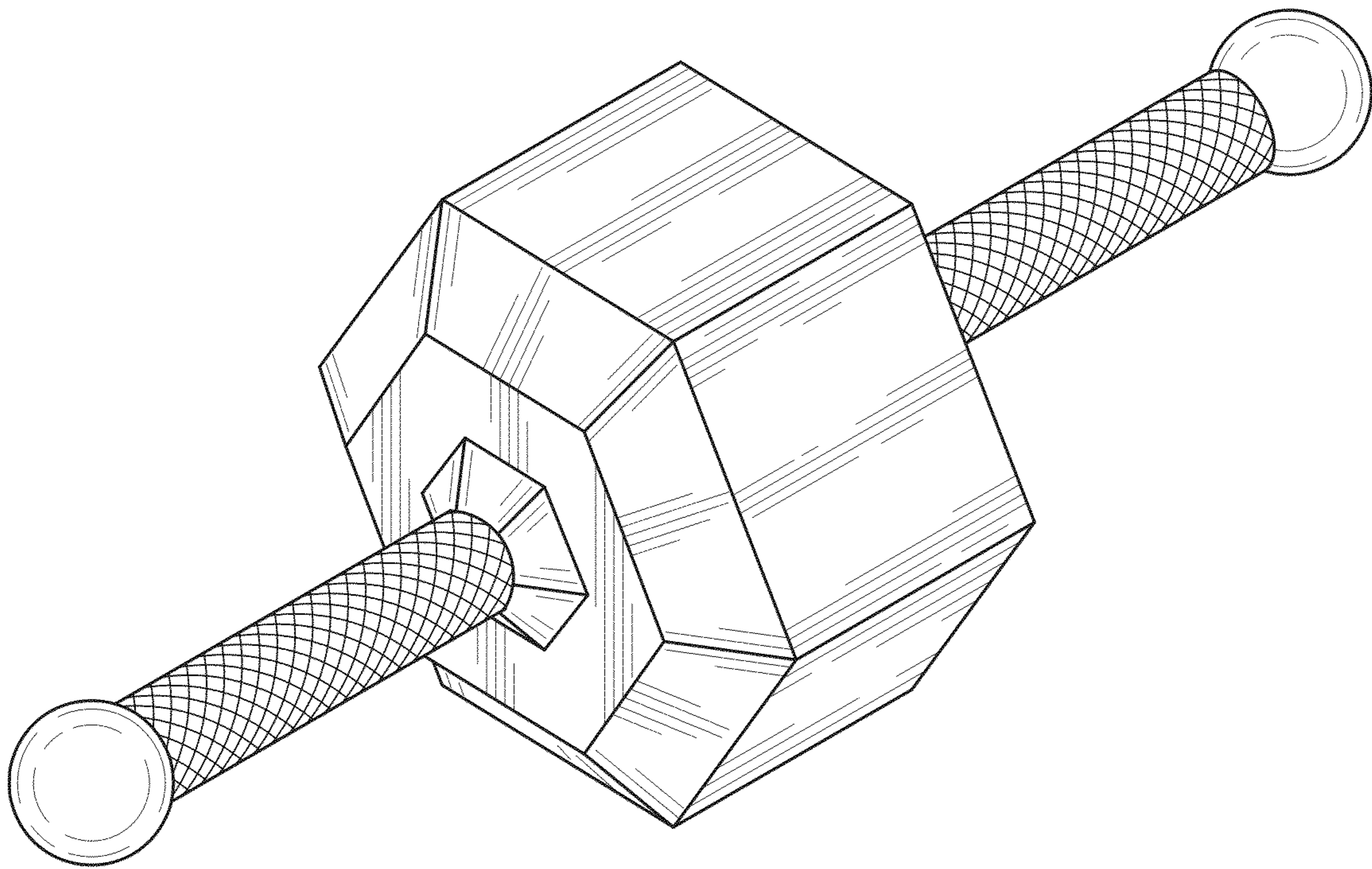


FIG. 1

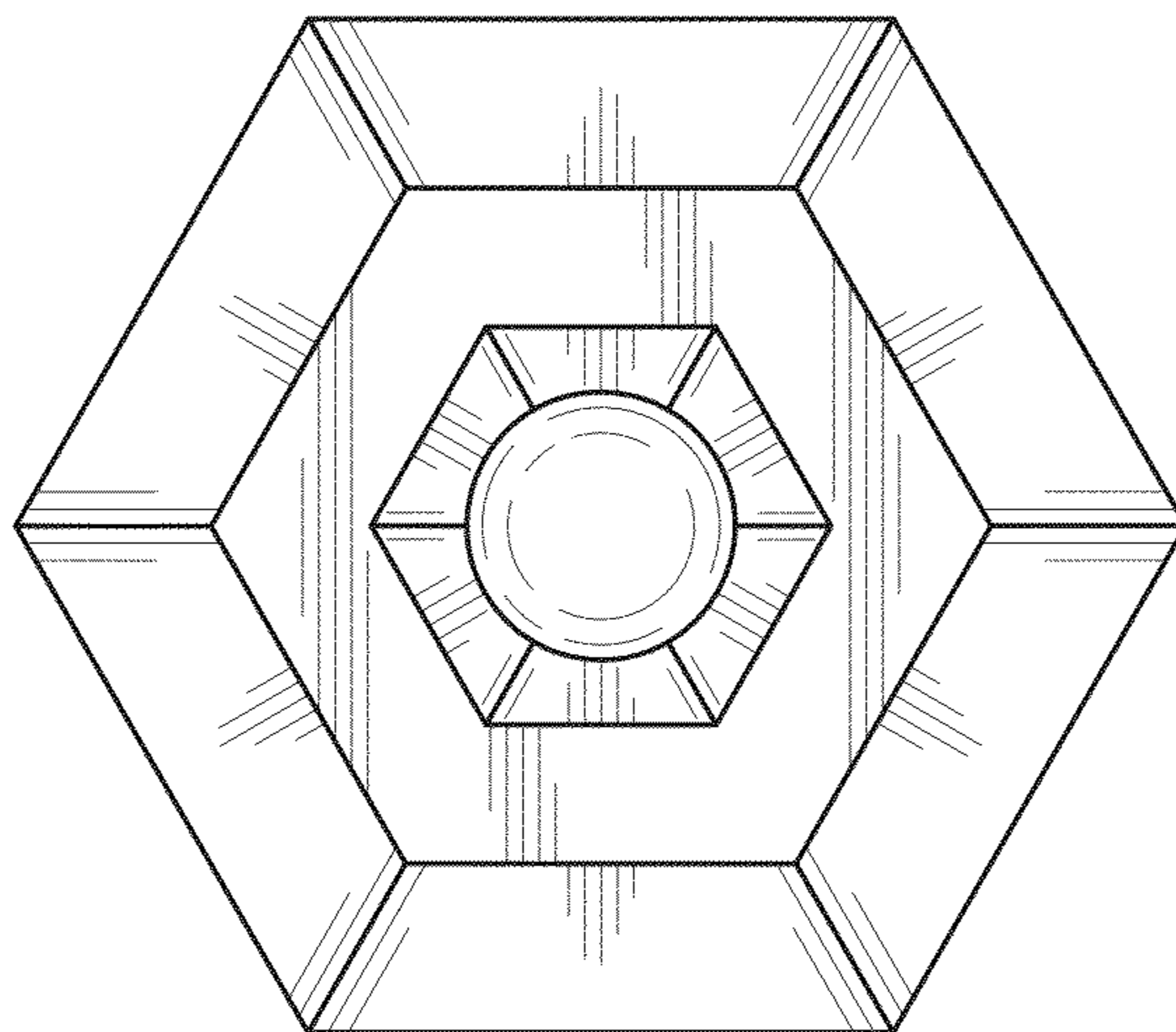


FIG. 2

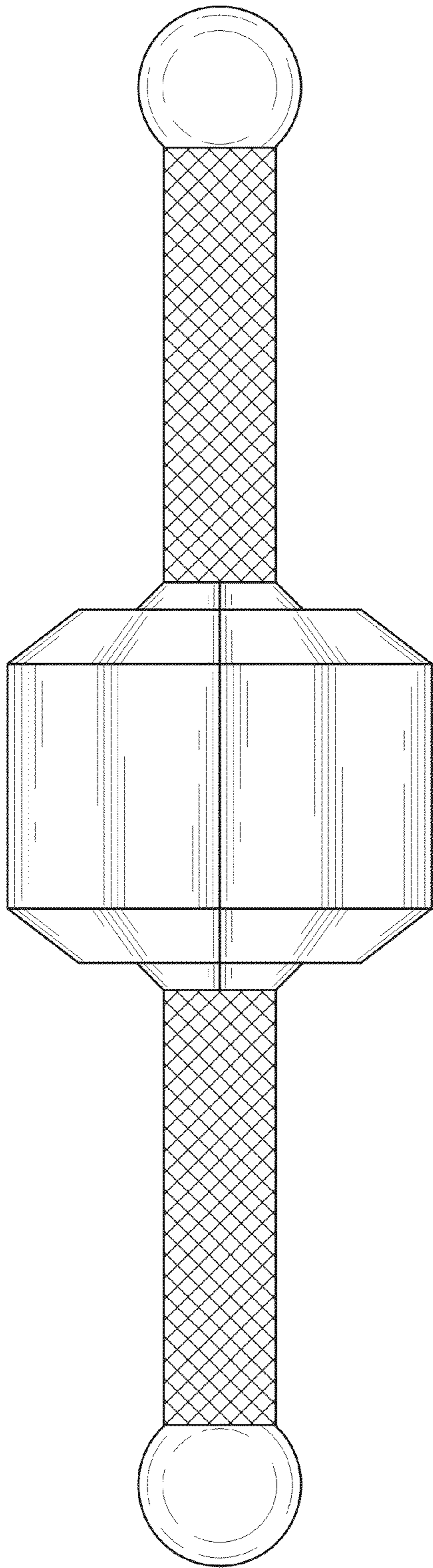


FIG. 3

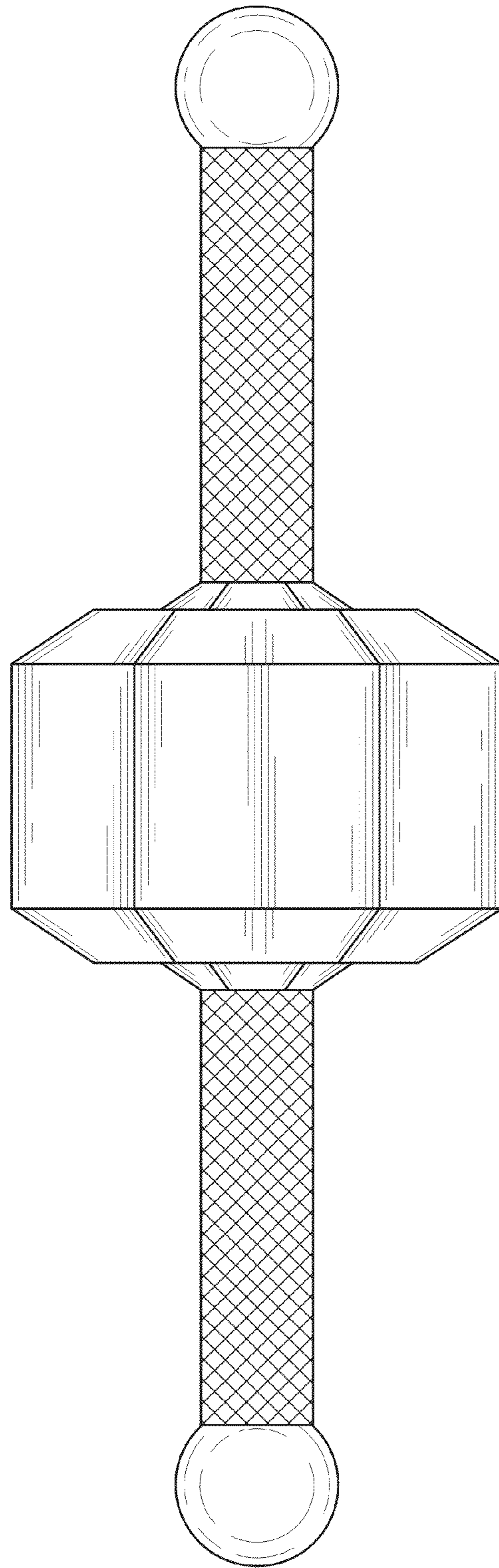


FIG. 4