



US00D731007S

(12) **United States Design Patent**
Davies, III

(10) **Patent No.:** **US D731,007 S**
(45) **Date of Patent:** **** Jun. 2, 2015**

(54) **STAR WEIGHT**

(71) Applicant: **David Robert Davies, III**, North
Chesterfield, VA (US)

(72) Inventor: **David Robert Davies, III**, North
Chesterfield, VA (US)

(73) Assignee: **Atlas Barbell, LLC**, North Chesterfield,
VA (US)

(**) Term: **14 Years**

(21) Appl. No.: **29/464,437**

(22) Filed: **Aug. 16, 2013**

(51) **LOC (10) Cl.** **21-02**

(52) **U.S. Cl.**
USPC **D21/680**

(58) **Field of Classification Search**
USPC D21/680, 681, 484; 482/93, 104, 105,
482/106, 107, 108; D7/633
CPC A63B 21/072; A63B 21/0728; A63B
21/0724; A63B 21/06; A63B 21/075
See application file for complete search history.

(56) **References Cited**

U.S. PATENT DOCUMENTS

5,266,069	A	*	11/1993	Thorne	482/111
D431,187	S	*	9/2000	Davis	D9/669
D449,981	S	*	11/2001	Davis	D9/669
D462,898	S	*	9/2002	Weinstock	D9/669
D482,391	S	*	11/2003	Hui	D19/36

D546,026	S	*	7/2007	Ellsworth	D1/106
D551,979	S	*	10/2007	Daniels	D9/456
D635,622	S	*	4/2011	Martin et al.	D21/681
D681,307	S	*	5/2013	Firsing-Paris	D1/105
D688,758	S	*	8/2013	Davies, Iii	D21/680
D688,759	S	*	8/2013	Davies, Iii	D21/680
D697,676	S	*	1/2014	Hansen	D30/121
D712,779	S	*	9/2014	Kuiawa	D11/40
2003/0046955	A1	*	3/2003	Elishyov	63/26

* cited by examiner

Primary Examiner — George D Kirschbaum

Assistant Examiner — Jennifer Watkins

(74) *Attorney, Agent, or Firm* — Whitham Curtis
Christofferson & Cook, PC

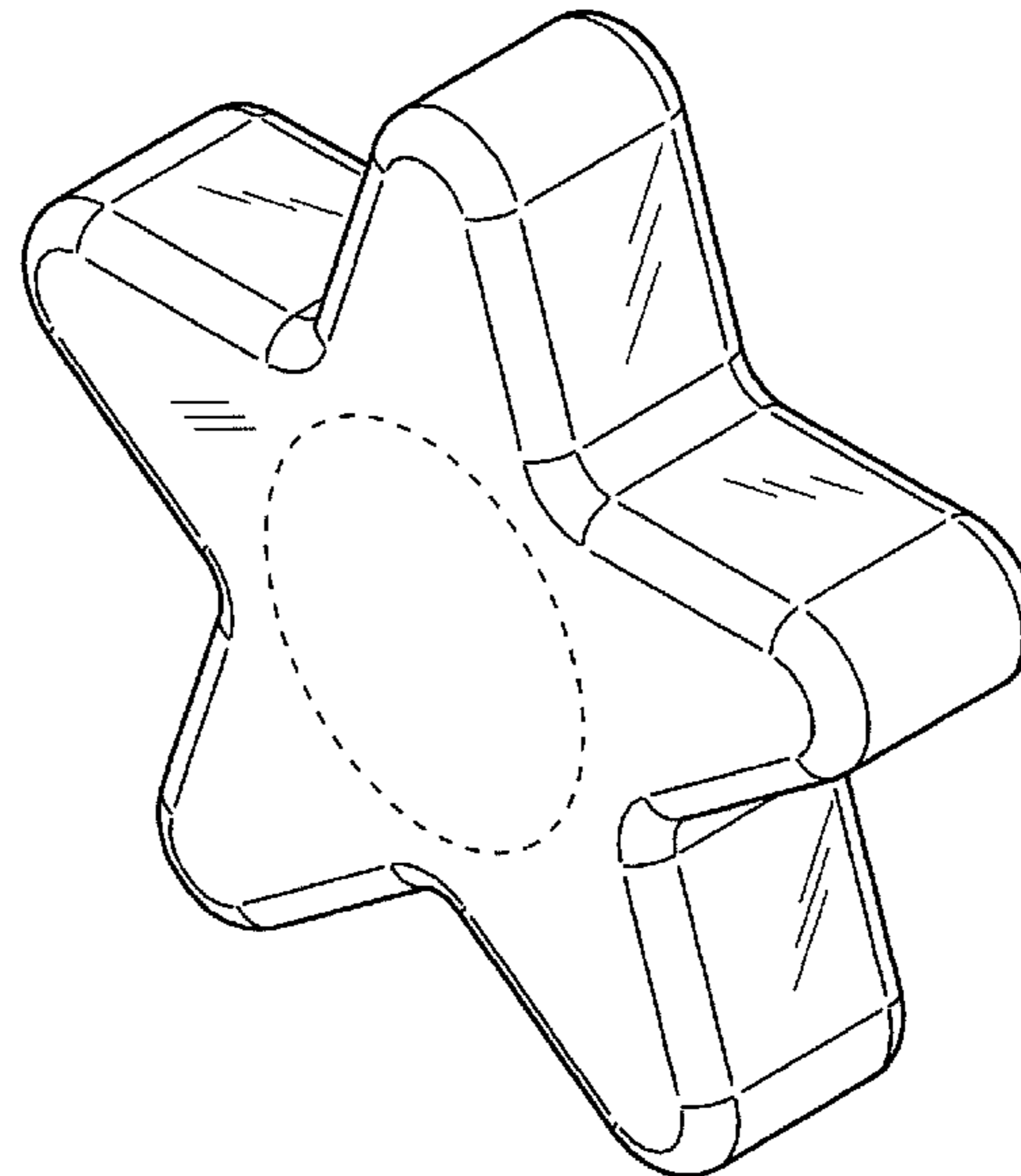
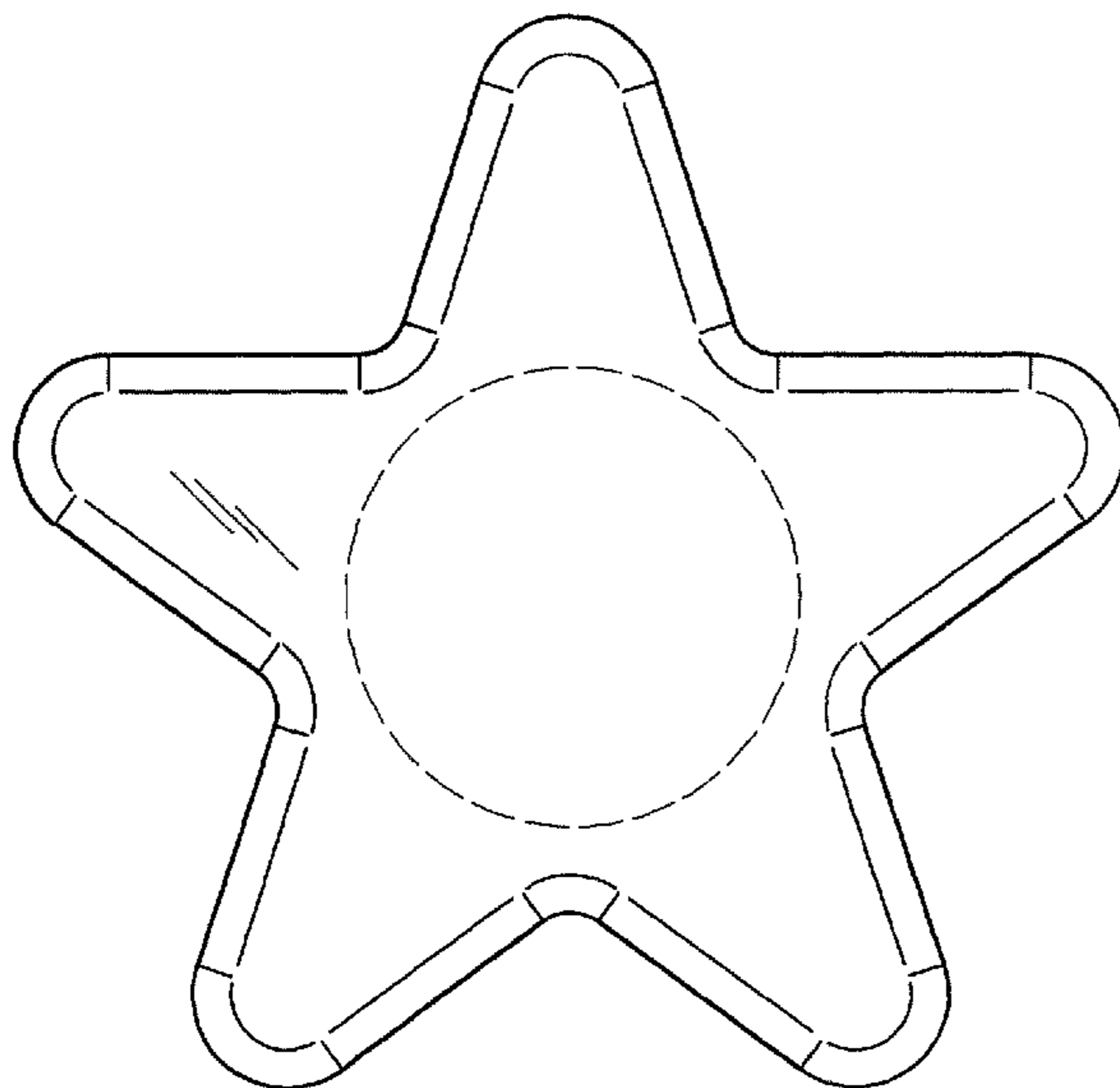
(57) **CLAIM**

I claim the ornamental design for star weight, as shown and described.

DESCRIPTION

FIG. 1 is a front elevational view of a star weight, the rear elevational view being identical;
FIG. 2 is a top plan view of the star weight;
FIG. 3 is a bottom plan view of the star weight;
FIG. 4 is a right side elevational view of the star weight, the left side elevational view being identical;
FIG. 5 is an isometric view of the star weight; and,
FIG. 6 is an isometric view of two star weights forming a pair of weights.
The broken lines illustrate environmental structure and form no part of the claimed design.

1 Claim, 6 Drawing Sheets



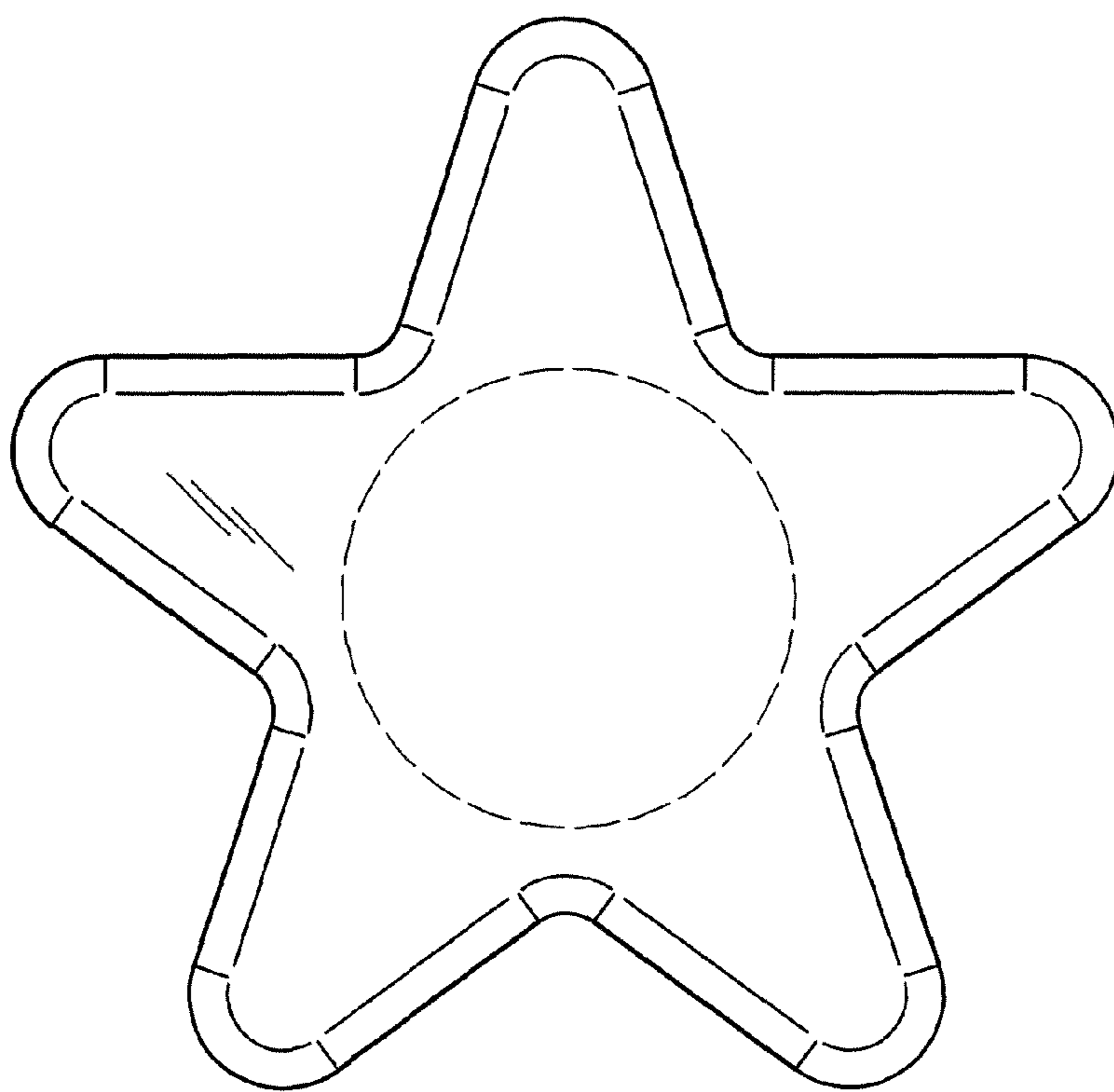


FIG. 1

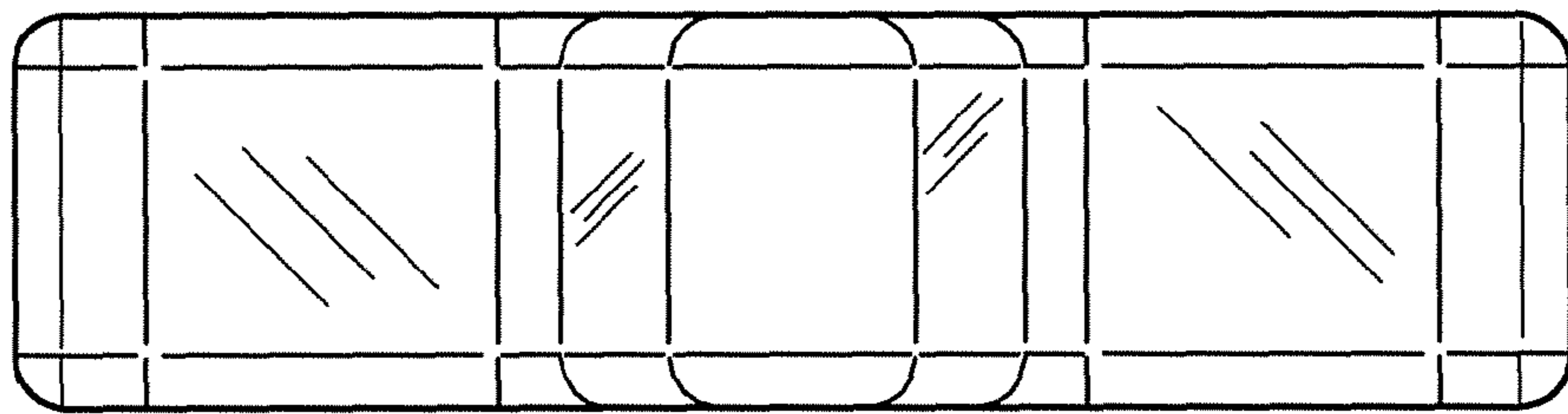


FIG. 2

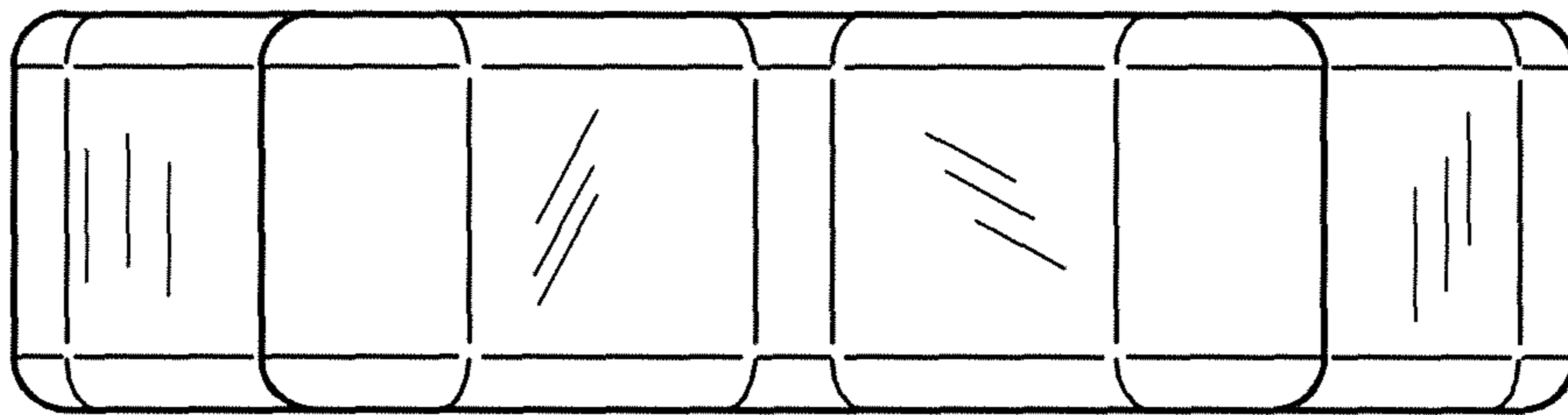


FIG. 3

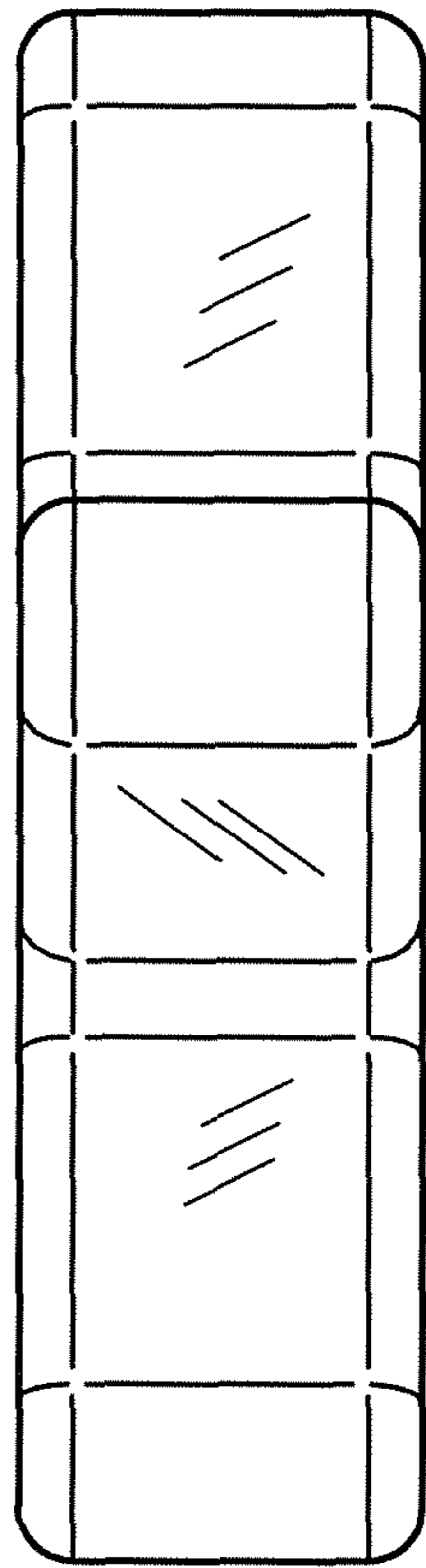


FIG. 4

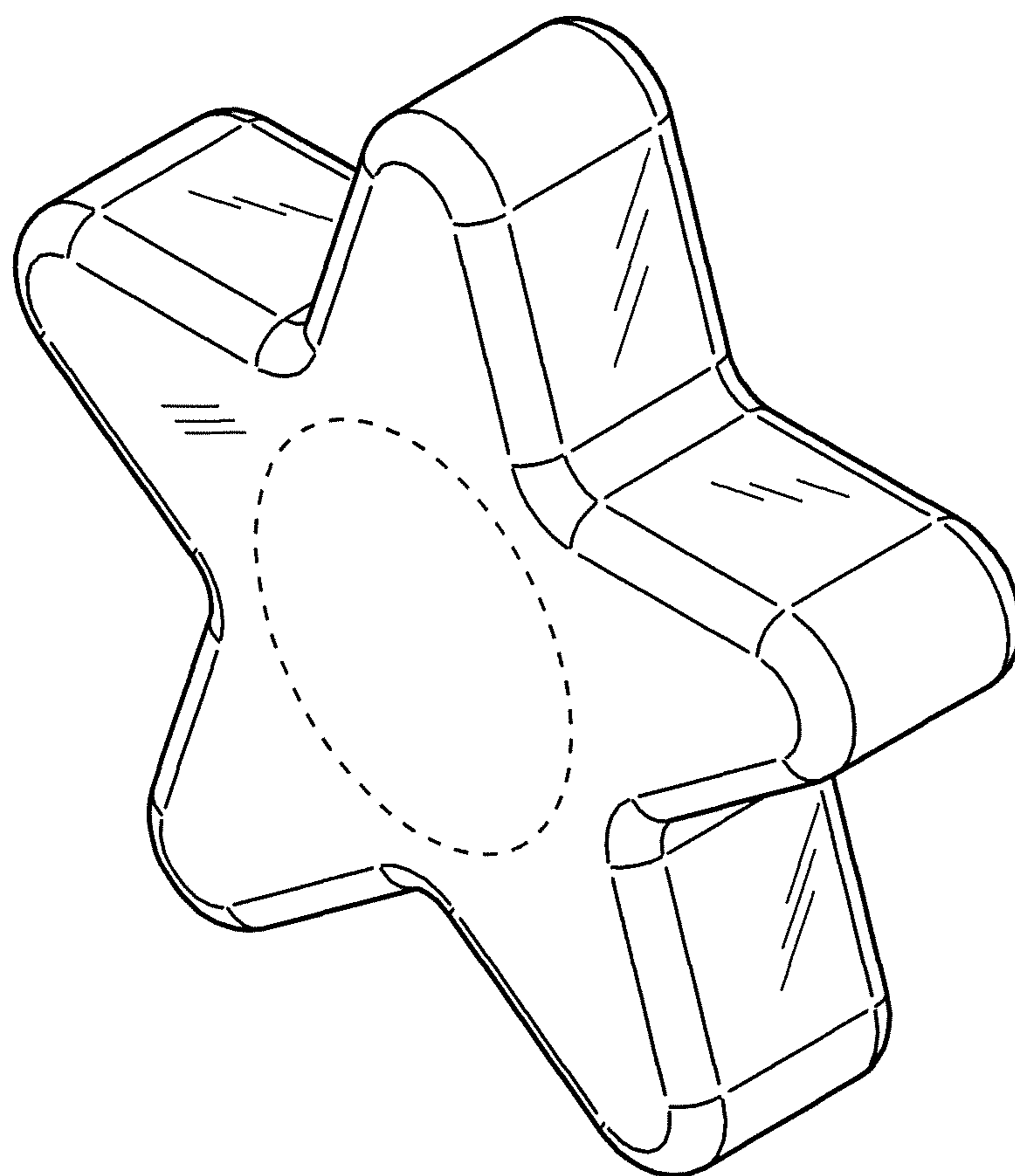


FIG. 5

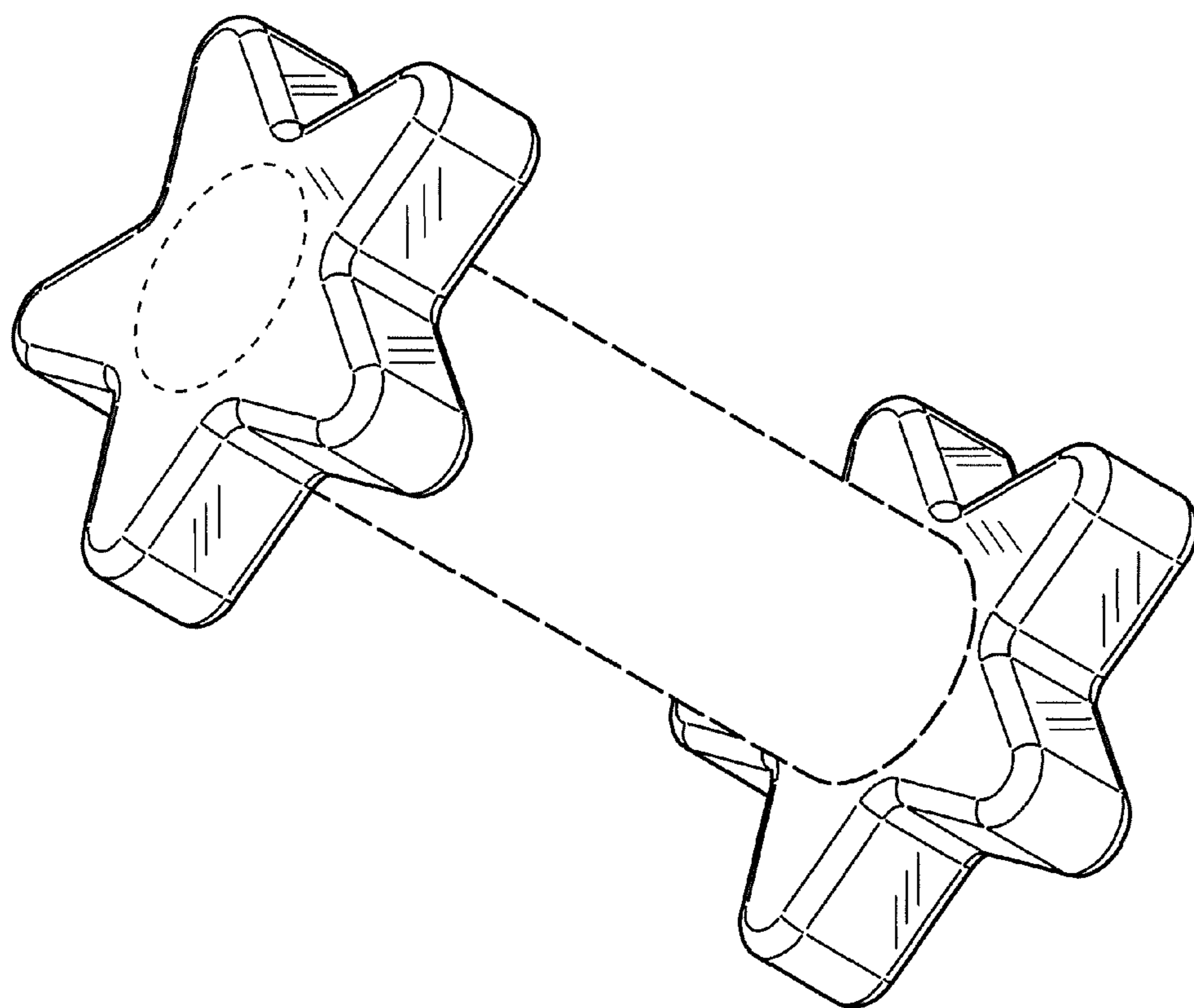


FIG. 6