



US00D731006S

(12) **United States Design Patent**
Birt

(10) **Patent No.:** **US D731,006 S**
(45) **Date of Patent:** **** Jun. 2, 2015**

(54) **MULTI-VERSATILE AND DIMENSIONAL WEIGHT PLATE**

(71) Applicant: **Ryan Birt**, Epworth, IA (US)

(72) Inventor: **Ryan Birt**, Epworth, IA (US)

(73) Assignee: **B&B Strength Training, LLC**, Mt. Zion, IL (US)

(**) Term: **14 Years**

(21) Appl. No.: **29/463,164**

(22) Filed: **Aug. 16, 2013**

(51) **LOC (10) Cl.** **21-02**

(52) **U.S. Cl.**
USPC **D21/680**

(58) **Field of Classification Search**
USPC D21/680, 681; 482/93, 104, 105, 106, 482/107, 108

CPC A63B 21/072; A63B 21/0728; A63B 21/0724; A63B 21/06; A63B 21/075

See application file for complete search history.

(56) **References Cited**

U.S. PATENT DOCUMENTS

2,528,213	A *	10/1950	Dantolan	482/93
D227,549	S *	7/1973	Alissandratos	D8/380
4,515,364	A *	5/1985	Rotella	482/139
4,880,229	A *	11/1989	Broussard	482/108
5,137,502	A	8/1992	Anastasi		
5,692,996	A	12/1997	Widermann		

D406,183	S	2/1999	Zovich		
D434,090	S *	11/2000	Wallace et al.	D21/680
D445,854	S *	7/2001	Harms et al.	D21/680
D450,361	S	11/2001	Harms et al.		
D462,729	S *	9/2002	Lawson	D21/680
D474,517	S *	5/2003	Harms	D21/681
D566,209	S *	4/2008	Alessandri et al.	D21/681
D639,874	S *	6/2011	Hillson	D21/680
D673,230	S *	12/2012	Qin	D21/680
D698,400	S *	1/2014	Potts	D21/680
D713,905	S *	9/2014	Tang et al.	D21/759
2001/0049324	A1 *	12/2001	Wallace et al.	482/106

* cited by examiner

Primary Examiner — George D Kirschbaum

Assistant Examiner — Jennifer Watkins

(74) *Attorney, Agent, or Firm* — Paul M Denk

(57) **CLAIM**

The ornamental design for the multi-versatile and dimensional weight plate, as shown and described.

DESCRIPTION

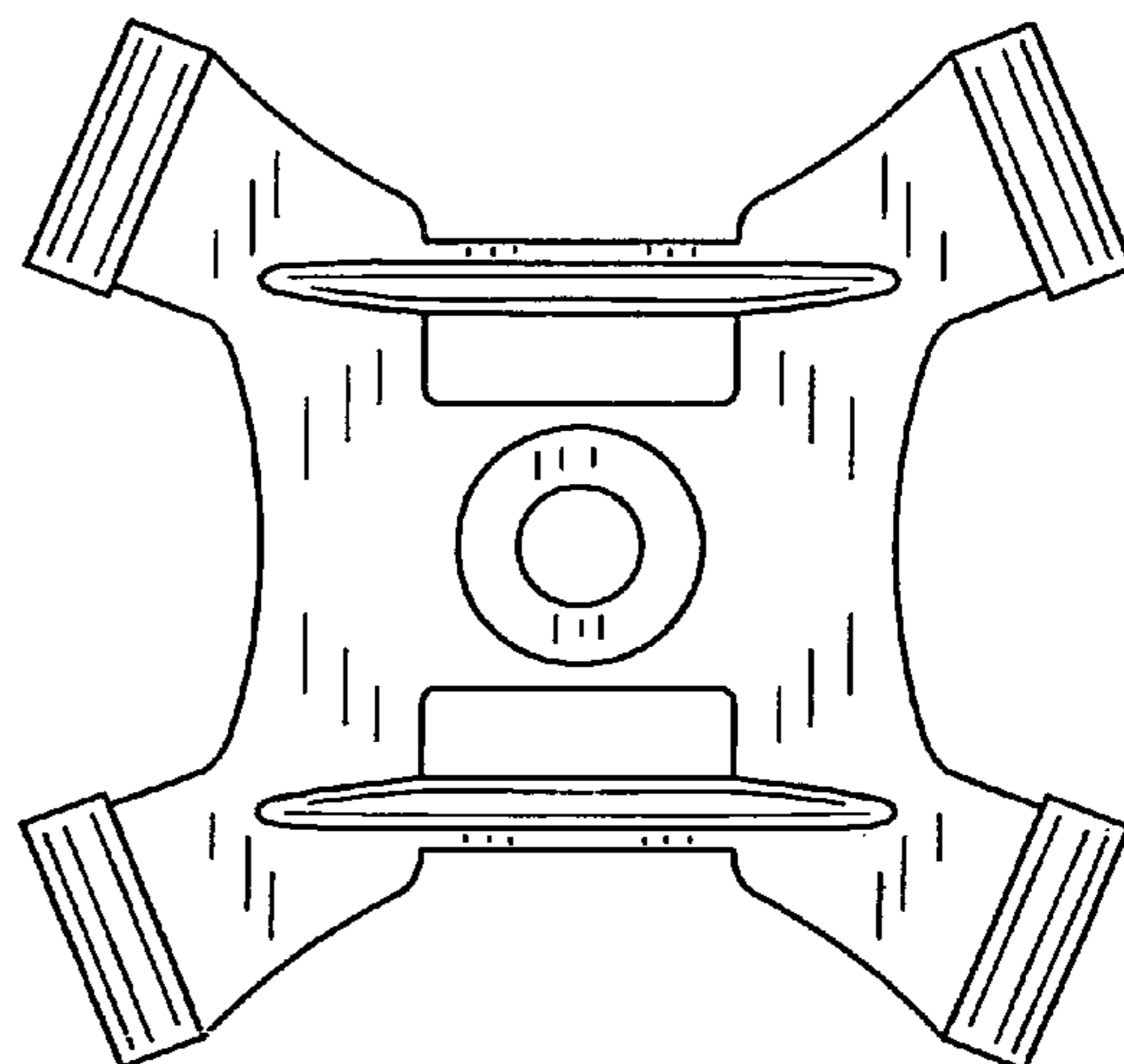
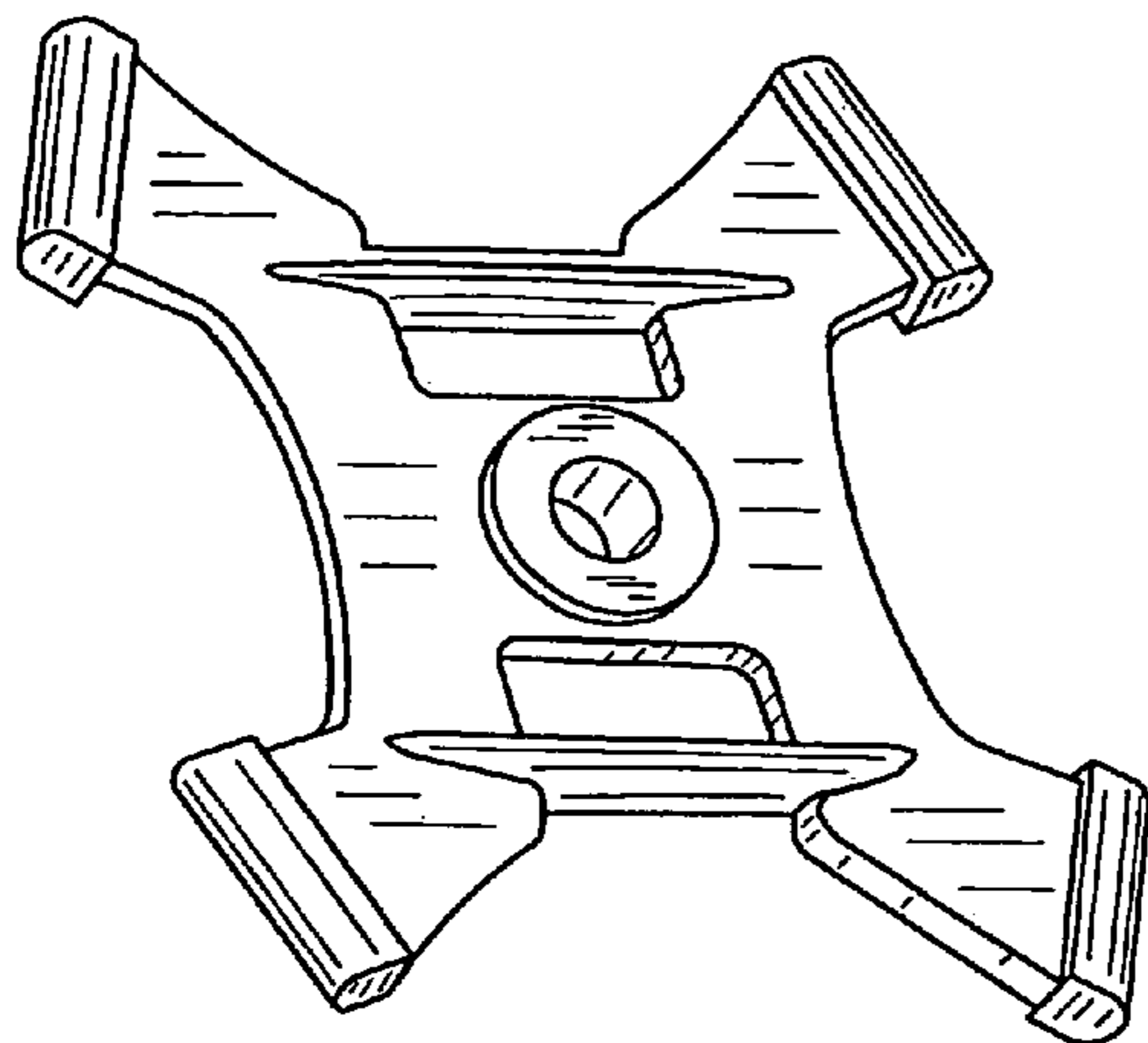
FIG. 1 is a perspective view of the multi-versatile and dimensional weight plate of this invention;

FIG. 2 is a front view thereof, the rear view being a mirror image;

FIG. 3 is a left side view, the right side view being a mirror image thereof; and,

FIG. 4 is a top plan view, the bottom view being a mirror image thereof.

1 Claim, 1 Drawing Sheet



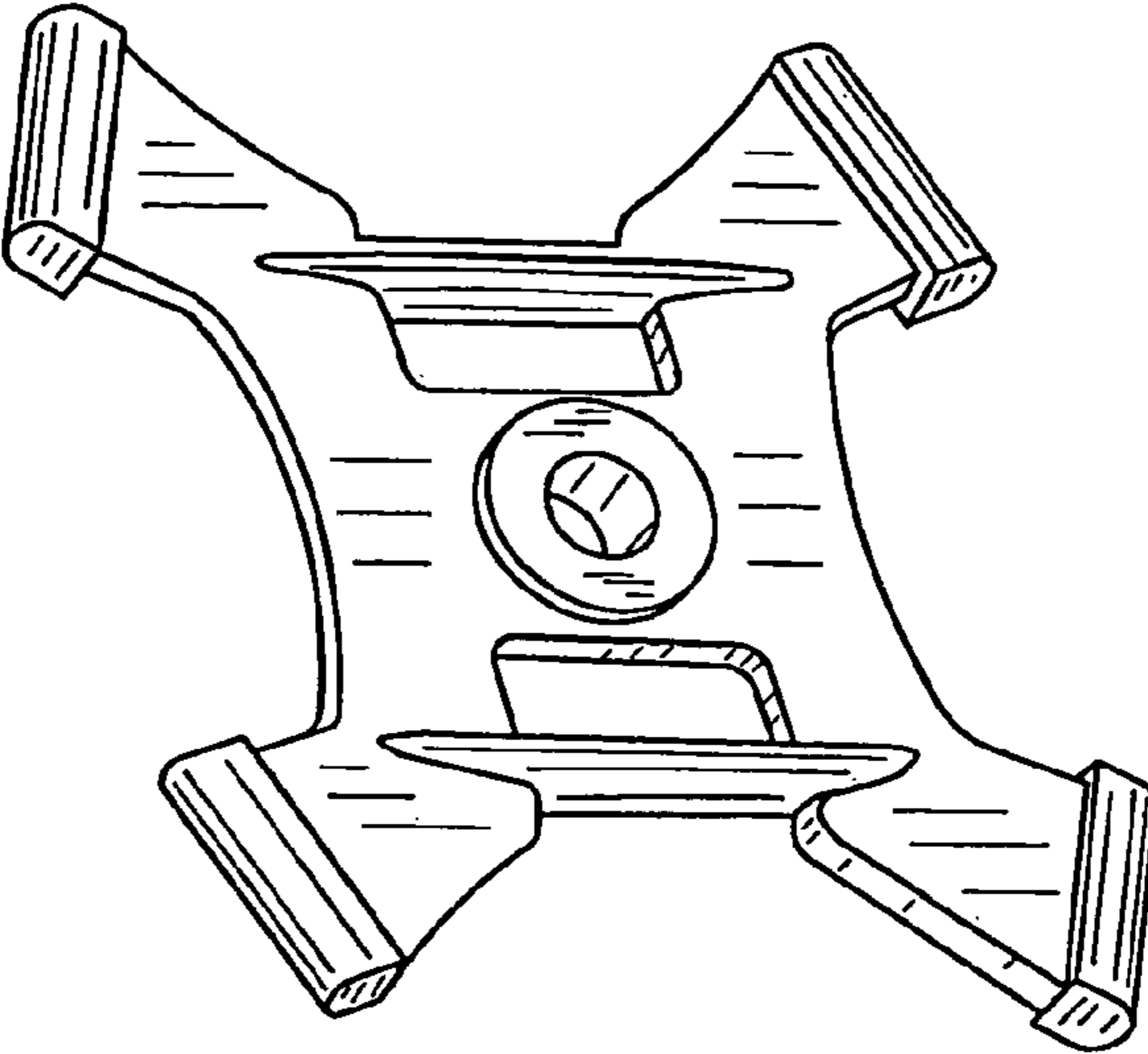


FIG. 1

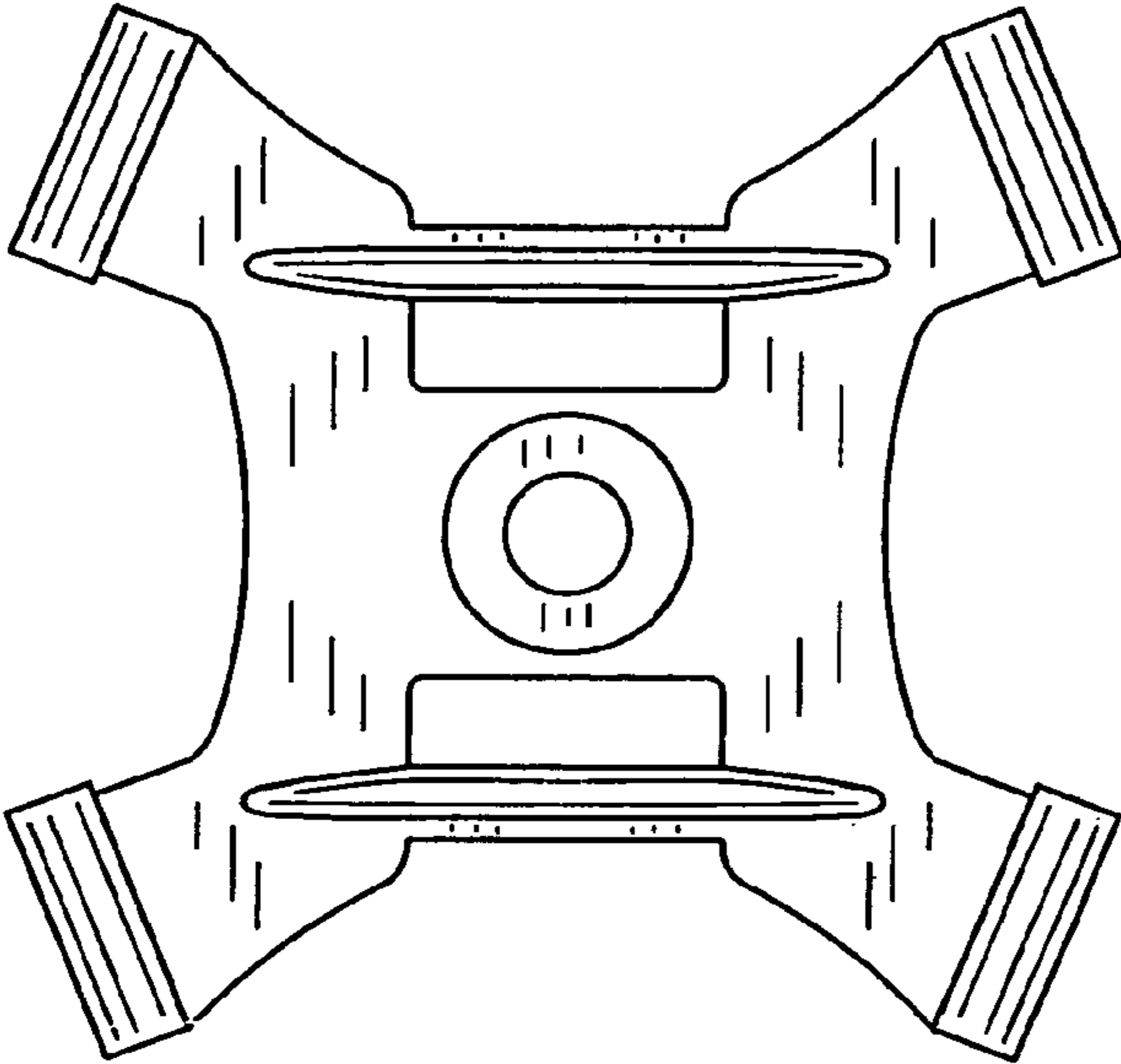


FIG. 2

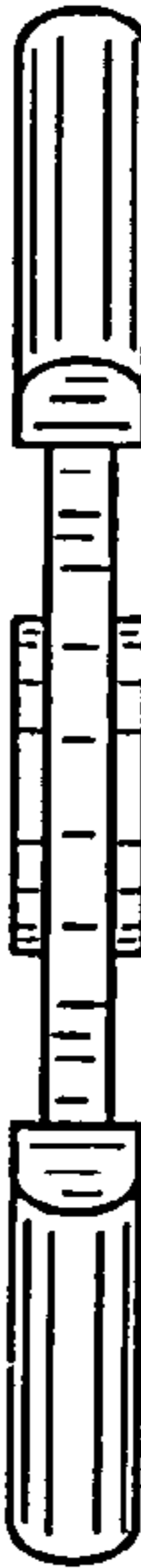


FIG. 3

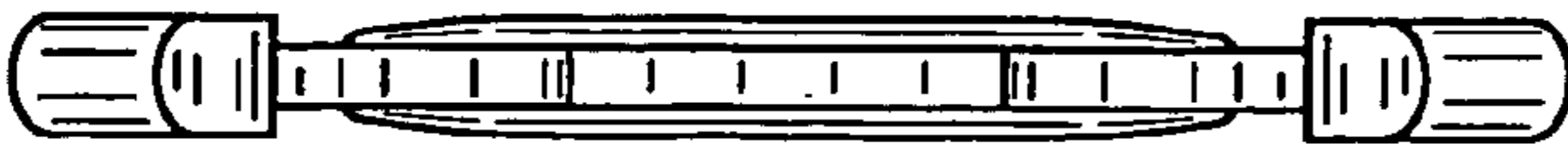


FIG. 4