



US00D731005S

(12) **United States Design Patent**  
**Pierroz**

(10) **Patent No.:** **US D731,005 S**  
(45) **Date of Patent:** **\*\* Jun. 2, 2015**

- (54) **BICYCLE TRAINING SUPPORT**
- (71) Applicant: **Paul Pierroz**, Hamilton (CA)
- (72) Inventor: **Paul Pierroz**, Hamilton (CA)
- (\*\*) Term: **14 Years**
- (21) Appl. No.: **29/436,857**
- (22) Filed: **Nov. 9, 2012**
- (51) **LOC (10) Cl.** ..... **21-02**
- (52) **U.S. Cl.**  
USPC ..... **D21/664**
- (58) **Field of Classification Search**  
USPC ..... D21/662, 663, 664, 665, 666, 667, 668,  
D21/669, 670, 671, 686, 694; 482/41, 60,  
482/61, 66, 104, 141; 114/362; D34/32;  
D8/349, 354; D25/119  
See application file for complete search history.

D491,447	S	*	6/2004	Diss	.....	D8/373
D582,259	S	*	12/2008	DeBiasio, Jr.	.....	D8/363
D593,852	S	*	6/2009	Hoebeek	.....	D8/394
D601,000	S	*	9/2009	Cole et al.	.....	D8/349
D605,032	S	*	12/2009	Bushey	.....	D8/402
D609,553	S	*	2/2010	Koizumi	.....	D8/354
7,713,175	B2	*	5/2010	Monaghan	.....	482/51
8,585,559	B1	*	11/2013	Shannon	.....	482/41

\* cited by examiner

*Primary Examiner* — Phillip S Hyder

(56) **References Cited**

U.S. PATENT DOCUMENTS

D244,748	S	*	6/1977	Canterbury	.....	D8/380
4,161,795	A	*	7/1979	Quest	.....	114/362
4,415,150	A	*	11/1983	Iezza	.....	482/42
4,902,000	A	*	2/1990	Starks et al.	.....	482/41
D333,421	S	*	2/1993	Patti	.....	D8/356
5,628,274	A	*	5/1997	Biedenweg et al.	.....	114/362
5,720,697	A	*	2/1998	Winkel	.....	482/41
6,129,651	A	*	10/2000	Denaro	.....	482/141
6,168,548	B1	*	1/2001	Fleming	.....	482/23

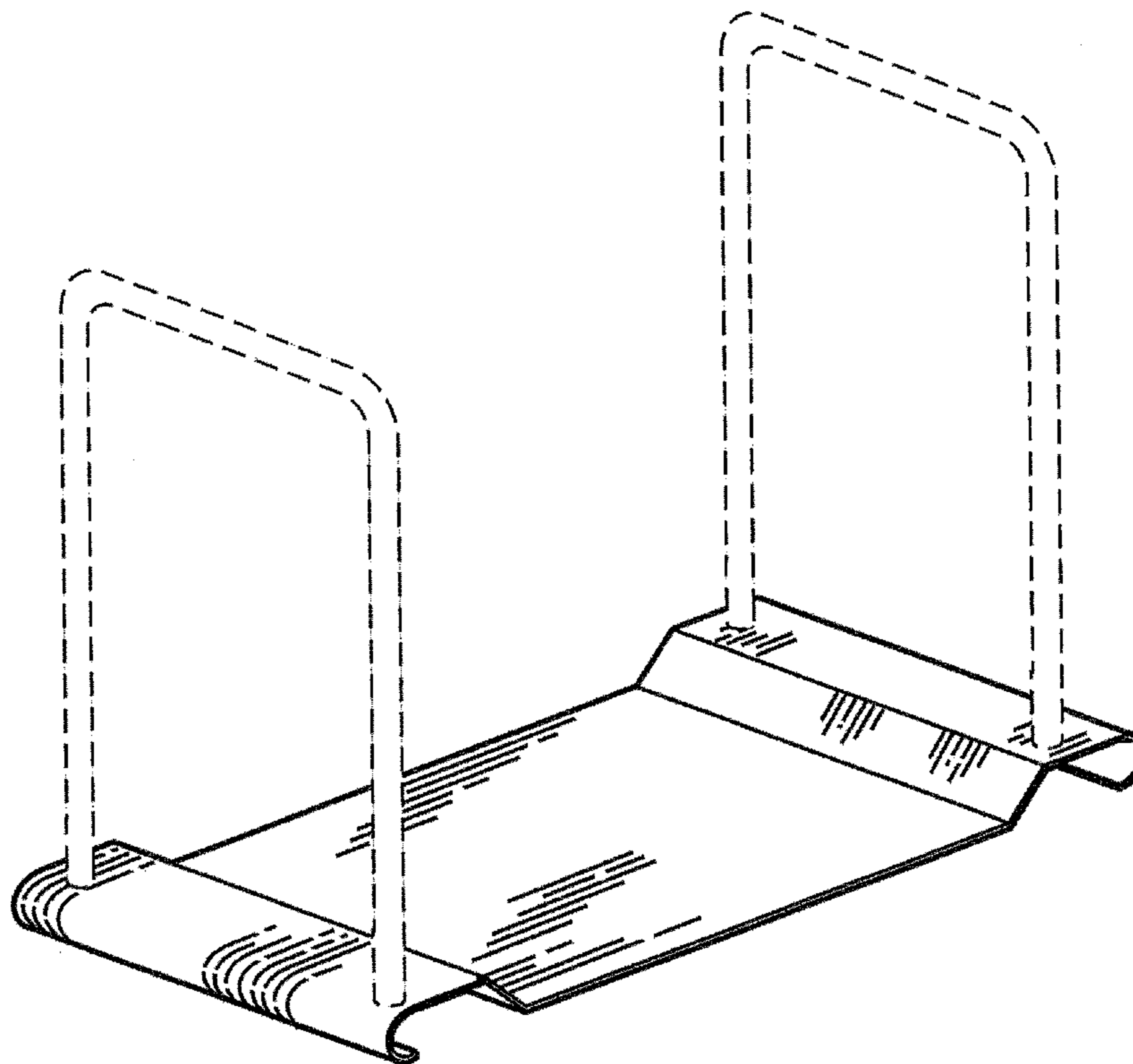
(57) **CLAIM**

The ornamental design for a bicycle training support, as shown and described.

**DESCRIPTION**

FIG. 1 is a top front isometric view of a bicycle training support showing my new design;  
 FIG. 2 is a bottom rear isometric view of the bicycle training support of FIG. 1; and,  
 FIG. 3 is a top front isometric view of the bicycle training support, with a cyclist and bicycle depicted by broken lines. The broken line showing of the cyclist and bicycle is provided for purposes of environment and form no part of the claimed design. The pair of handle bars are depicted in broken line form because they depict a portion of the bicycle training support that is unclaimed.

**1 Claim, 3 Drawing Sheets**



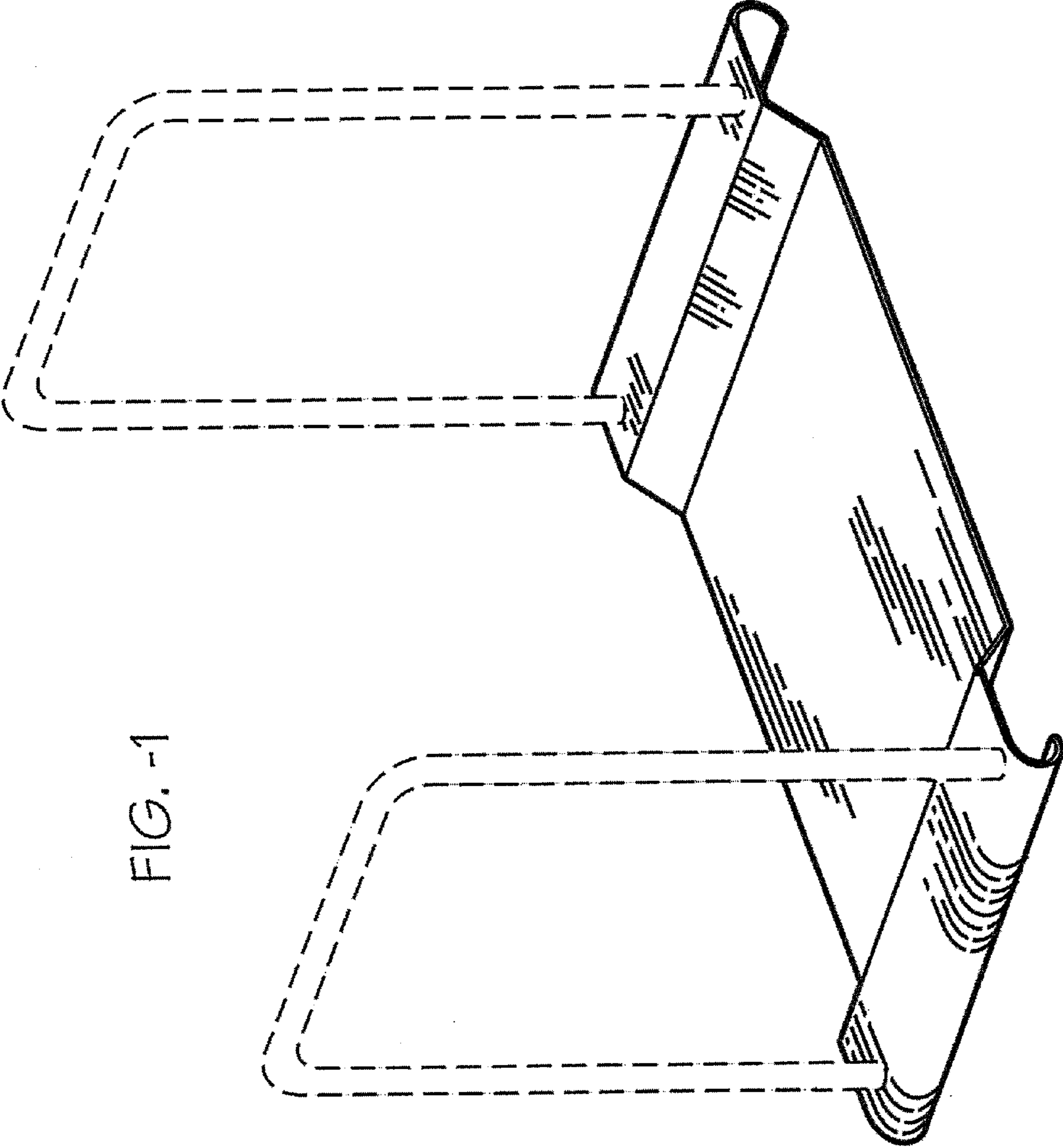


FIG. -1

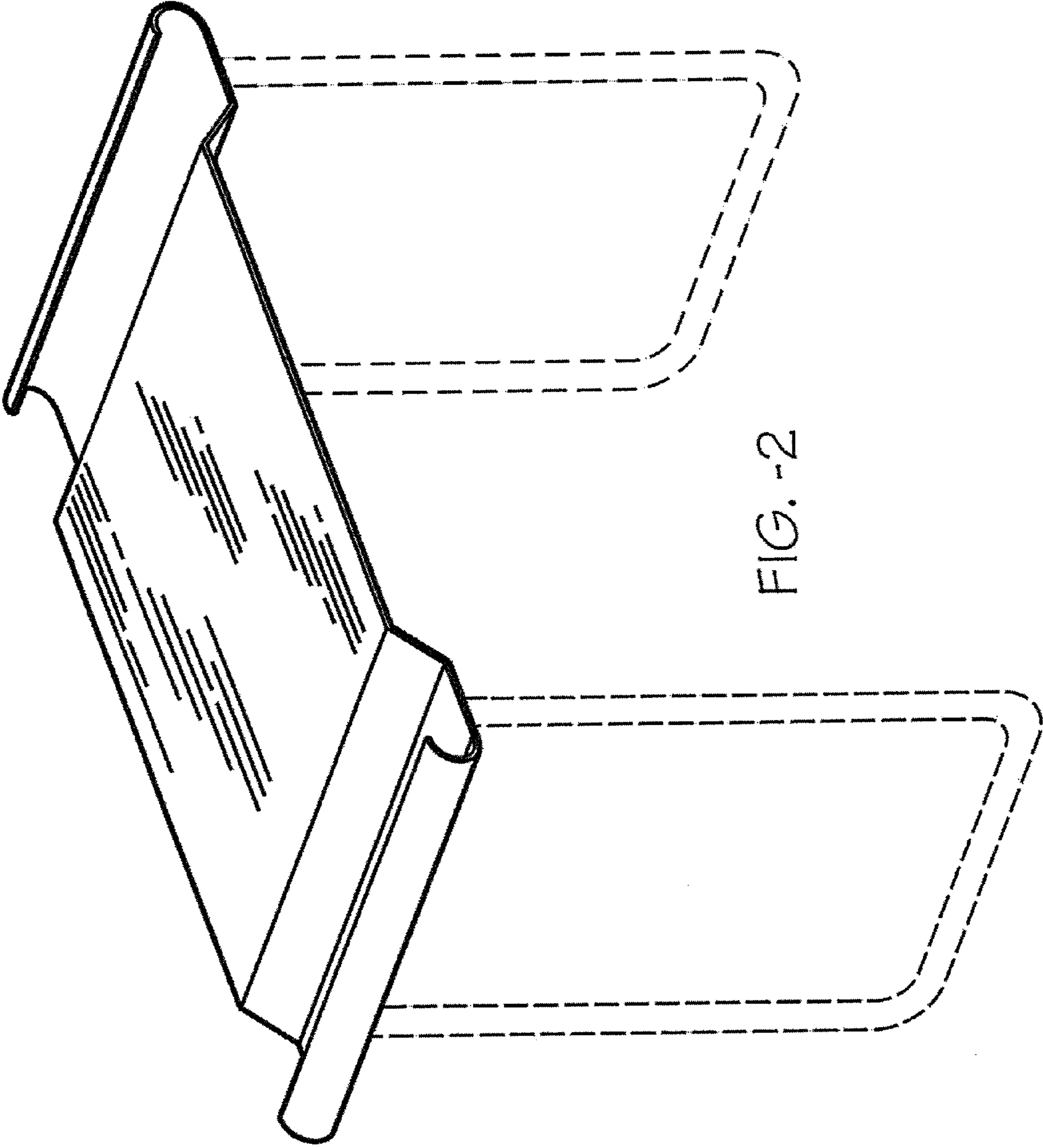


FIG. -2

FIG. -3

