



US00D731004S

(12) **United States Design Patent**  
**Estrada, Jr. et al.**

(10) **Patent No.:** **US D731,004 S**  
(45) **Date of Patent:** **\*\* Jun. 2, 2015**

- (54) **LOW-FRICTION EXERCISE DEVICE**
- (71) Applicant: **Destined LLC**, El Segundo, CA (US)
- (72) Inventors: **Marco Estrada, Jr.**, El Segundo, CA (US); **Marco Estrada, Sr.**, El Segundo, CA (US)
- (73) Assignee: **Destined Enterprised Inc.**, El Segundo, CA (US)
- (\*\*) Term: **14 Years**
- (21) Appl. No.: **29/458,752**
- (22) Filed: **Jun. 21, 2013**
- (51) **LOC (10) Cl.** ..... **21-02**
- (52) **U.S. Cl.**  
USPC ..... **D21/662**
- (58) **Field of Classification Search**  
USPC ..... D21/662, 680, 682–685, 694;  
D24/211–215; 482/44–49, 91–93, 95,  
482/96, 106–108, 110, 111, 114, 121–123,  
482/124, 126, 131, 132, 141–142, 145;  
601/80, 113, 125; D8/45, 90  
CPC ..... A63B 21/1469; A63B 21/0552; A63B  
21/0442; A63B 21/075; A63B 23/1236;  
A63B 21/0557; A61H 15/0092  
See application file for complete search history.

7,621,858	B2	11/2009	Sheron	
D631,106	S	1/2011	Zemel	
7,909,746	B2 *	3/2011	Gant	482/141
7,935,039	B2	5/2011	Dannenberg	
7,981,016	B1	7/2011	Howard	
8,105,218	B1	1/2012	Vayntraub	
D654,544	S	2/2012	Sliemers	
8,382,645	B2	2/2013	Mylrea et al.	
D685,038	S *	6/2013	Crain et al.	D21/662
8,702,574	B2 *	4/2014	Abranchess	482/141
8,764,613	B1 *	7/2014	Barnes	482/44
8,782,814	B2 *	7/2014	Schmelzer et al.	2/170
8,827,881	B2 *	9/2014	Marino	482/142
8,888,668	B2 *	11/2014	Delisle	482/141
2007/0287605	A1 *	12/2007	Mylrea et al.	482/92
2009/0186751	A1 *	7/2009	Hauser et al.	482/141
2011/0071008	A1	3/2011	Coates	
2011/0230312	A1	9/2011	Gamboa	
2012/0083396	A1	4/2012	Aquino	
2013/0123079	A1 *	5/2013	Peritz et al.	482/139
2013/0190150	A1 *	7/2013	Delisle	482/141
2014/0100090	A1 *	4/2014	Lima et al.	482/139
2014/0329651	A1 *	11/2014	Thomason et al.	482/141

\* cited by examiner

*Primary Examiner* — George D Kirschbaum  
*Assistant Examiner* — Jennifer Watkins  
(74) *Attorney, Agent, or Firm* — One3 IP Management, P.C.;  
Justin G. Sanders; Jeromye V. Sartain

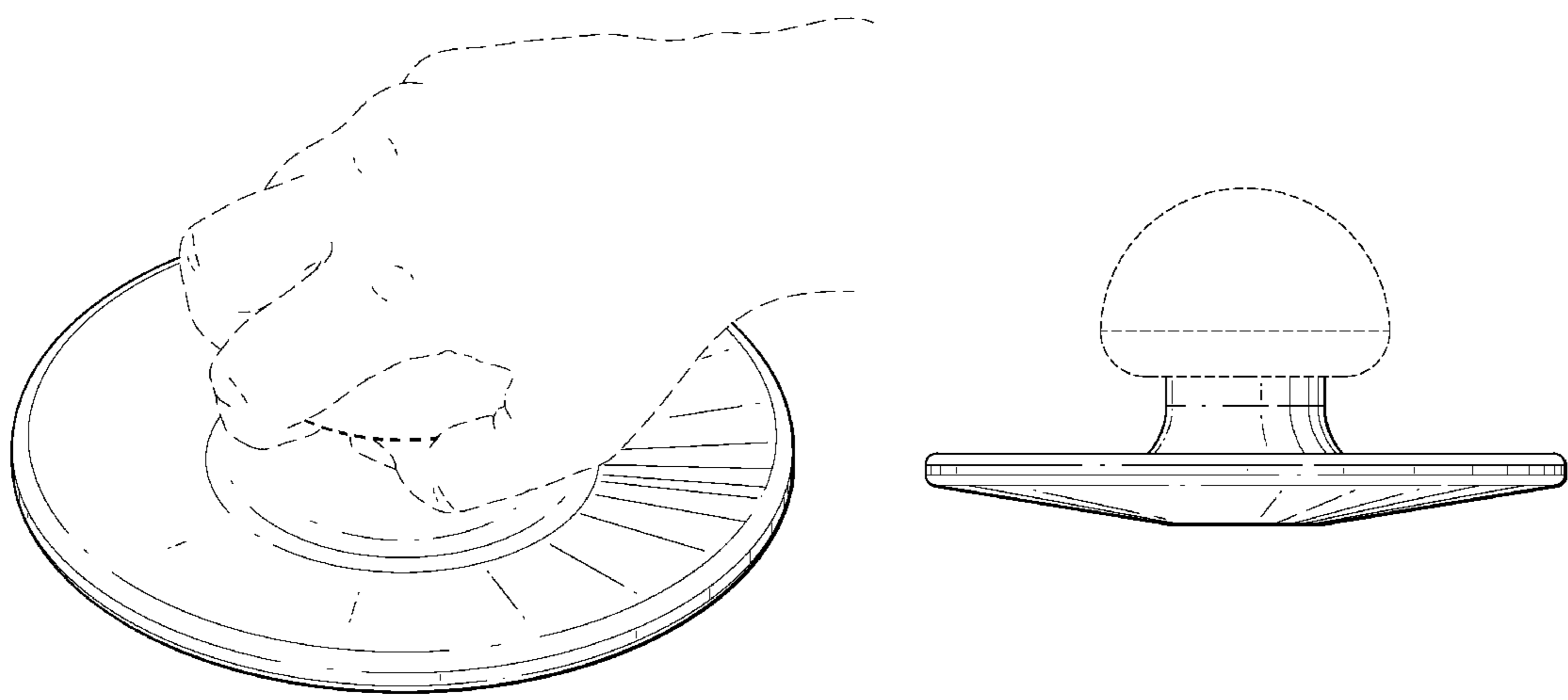
(57) **CLAIM**  
The ornamental design for a low-friction exercise device, as shown and described.

**DESCRIPTION**

FIG. 1 is a perspective view showing a low-friction exercise device;  
FIG. 2 is a top view thereof;  
FIG. 3 is a bottom view thereof; and  
FIG. 4 is a side view thereof, each of the front, rear, left and right sides being identical.  
The broken lines are for the purpose of illustrating environment and form no part of the claimed design.

**1 Claim, 3 Drawing Sheets**

- (56) **References Cited**  
U.S. PATENT DOCUMENTS
- 5,632,707 A 5/1997 Daniel et al.
- D403,428 S \* 12/1998 Russo ..... D24/200
- 6,899,581 B1 \* 5/2005 Nokes ..... 441/58
- 6,908,415 B2 6/2005 Branson
- 6,925,675 B1 \* 8/2005 Trunecek ..... 15/236.02
- 6,942,605 B1 9/2005 Sukhovitsky
- 7,264,580 B2 \* 9/2007 Lu ..... 482/146
- 7,270,627 B2 9/2007 Hankin
- D576,693 S \* 9/2008 Khubani ..... D21/686
- 7,585,262 B1 9/2009 Vayntraub
- D603,678 S \* 11/2009 Ali et al. .... D8/90



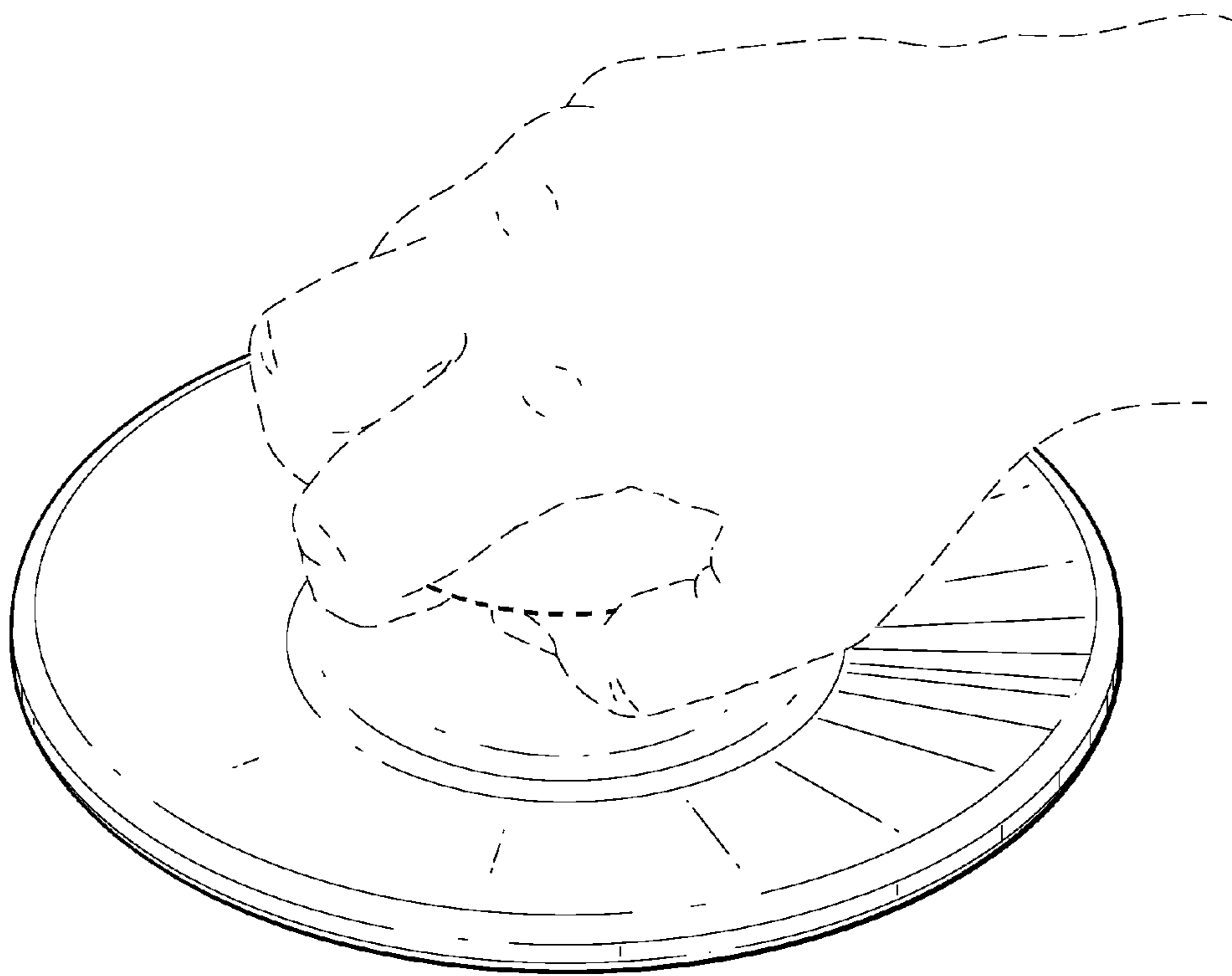
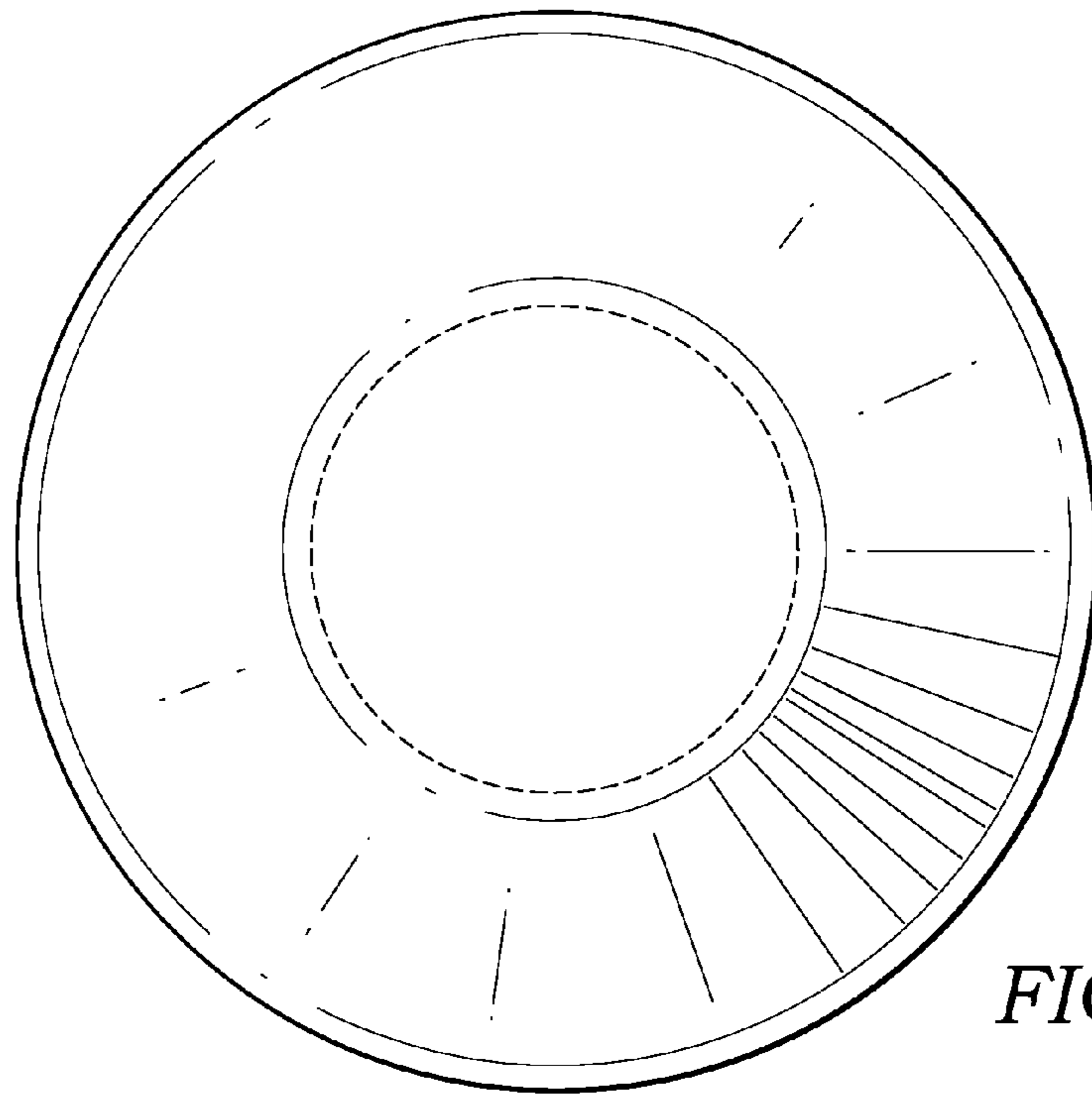
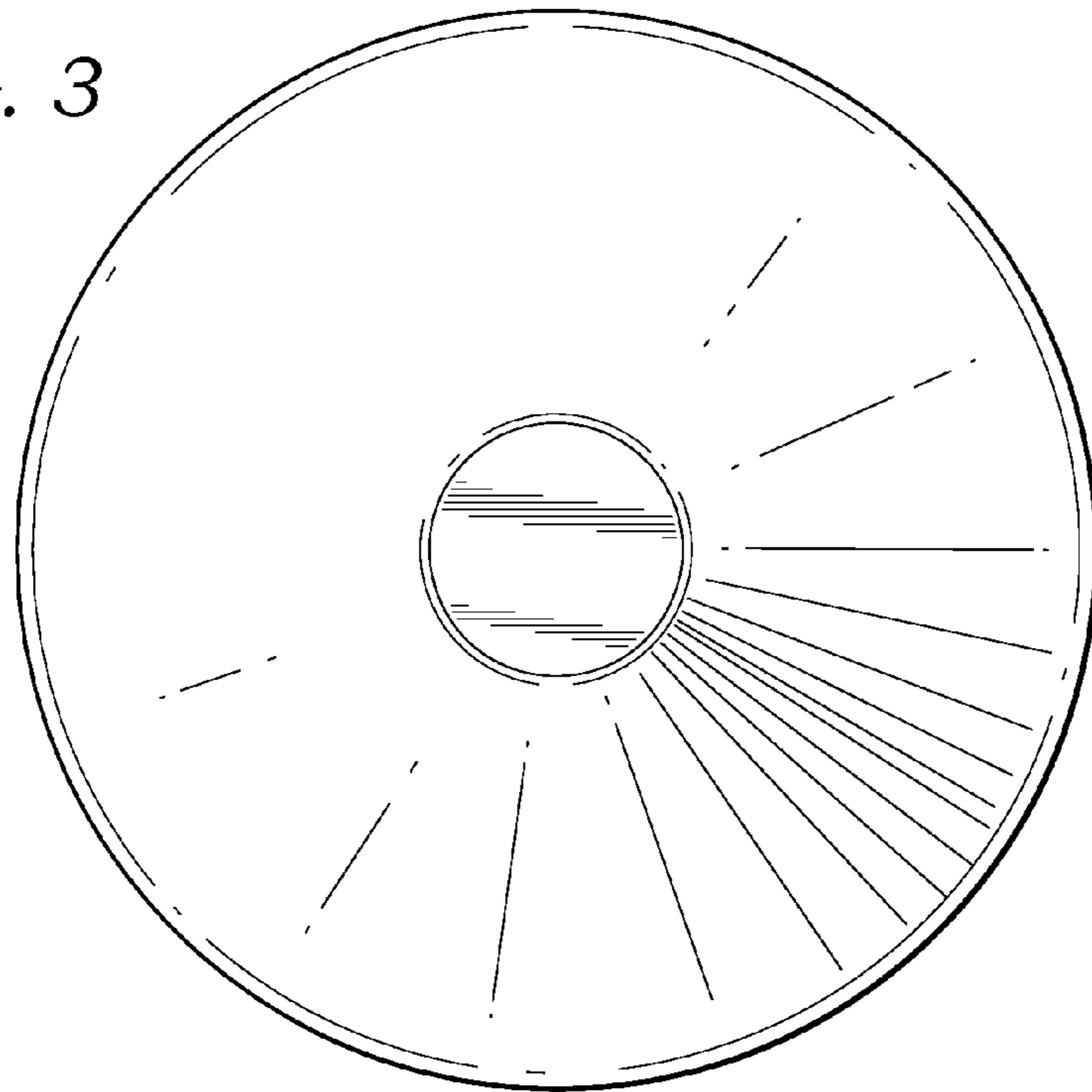


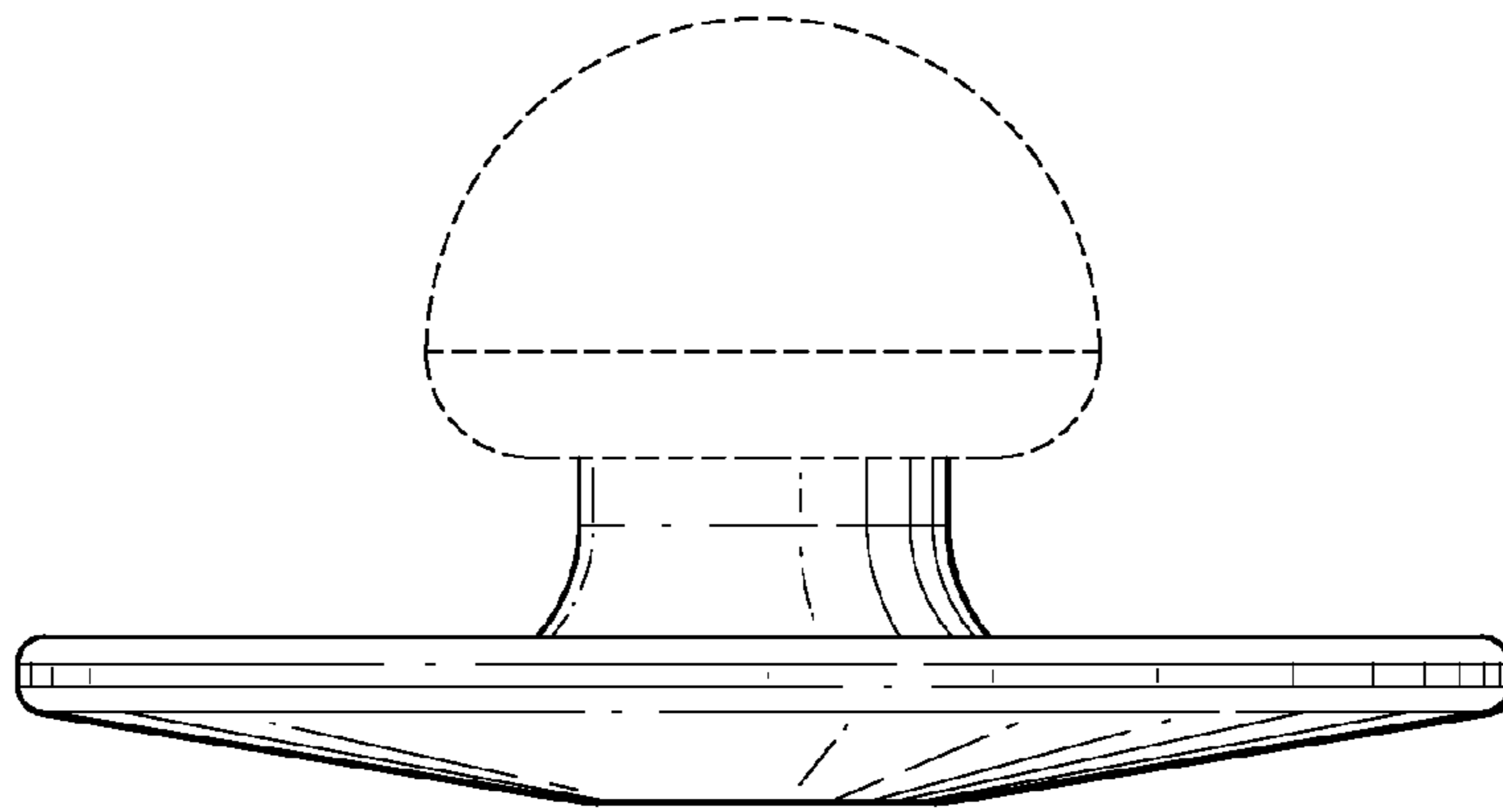
FIG. 1



*FIG. 2*

*FIG. 3*





*FIG. 4*

UNITED STATES PATENT AND TRADEMARK OFFICE  
**CERTIFICATE OF CORRECTION**

PATENT NO. : D731,004 S  
APPLICATION NO. : 29/458752  
DATED : June 2, 2015  
INVENTOR(S) : Marco Estrada, Jr. and Marco Estrada, Sr.

Page 1 of 1

It is certified that error appears in the above-identified patent and that said Letters Patent is hereby corrected as shown below:

Title page,

Item (73) Assignee: "Enterprised" should be changed to --Enterprises--.

Signed and Sealed this  
Twentieth Day of October, 2015



Michelle K. Lee  
*Director of the United States Patent and Trademark Office*