

US00D731002S

(12) **United States Design Patent**
Phillips

(10) **Patent No.:** **US D731,002 S**
(45) **Date of Patent:** **** Jun. 2, 2015**

(54) **SHARK**

(56) **References Cited**

(71) Applicant: **Phillips Entertainment Group LLC**,
Alhambra, CA (US)
(72) Inventor: **Earnest R. Phillips**, Alhambra, CA (US)
(73) Assignee: **Phillips Entertainment Group, LLC**,
Alhambra, CA (US)

U.S. PATENT DOCUMENTS

D268,222 S *	3/1983	Chen	D21/599
D317,800 S *	6/1991	Laursen	D21/599
D325,656 S *	4/1992	Davis	D21/599
D330,575 S *	10/1992	Kupperman	D21/599
D333,854 S *	3/1993	Kupperman	D21/599
D353,687 S *	12/1994	Dacko	D21/599
D364,660 S *	11/1995	Rahbek	D21/597
D370,037 S *	5/1996	Berggreen	D21/597
7,517,841 B2	4/2009	Coleman et al.	
D607,064 S *	12/2009	Thorsen	D21/599

(**) Term: **14 Years**

* cited by examiner

(21) Appl. No.: **29/488,248**

Primary Examiner — Sandra Morris

(22) Filed: **Apr. 17, 2014**

(74) *Attorney, Agent, or Firm* — Rutan & Tucker LLP; John K. Fitzgerald

(51) **LOC (10) Cl.** **21-01**

(57) **CLAIM**

The ornamental design for a shark, as shown and described.

(52) **U.S. Cl.**

DESCRIPTION

USPC **D21/599**

(58) **Field of Classification Search**

USPC D21/576–578, 585, 587–592, 597–603;
446/72–73, 97–98, 268–269, 297, 369;
D6/598; D11/158, 162; D30/160;

FIG. 1 is a perspective view of an shark, showing our new design;

FIG. 2 is a left view thereof;

FIG. 3 is a right view thereof;

FIG. 4 is a top view thereof;

FIG. 5 is a bottom view thereof;

FIG. 6 is a front view thereof; and,

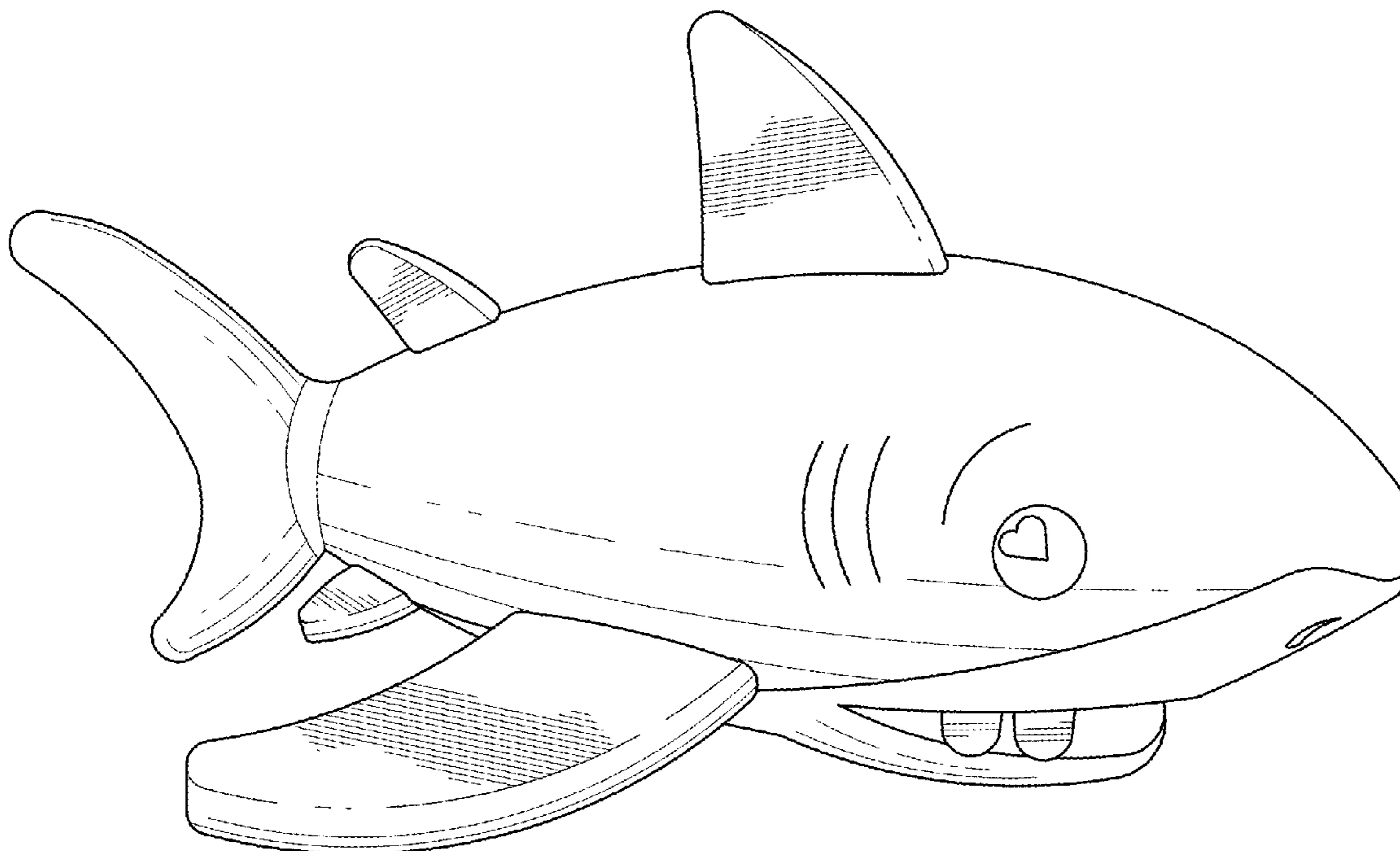
FIG. 7 is a back view thereof.

D3/211

CPC A63H 3/02

See application file for complete search history.

1 Claim, 6 Drawing Sheets



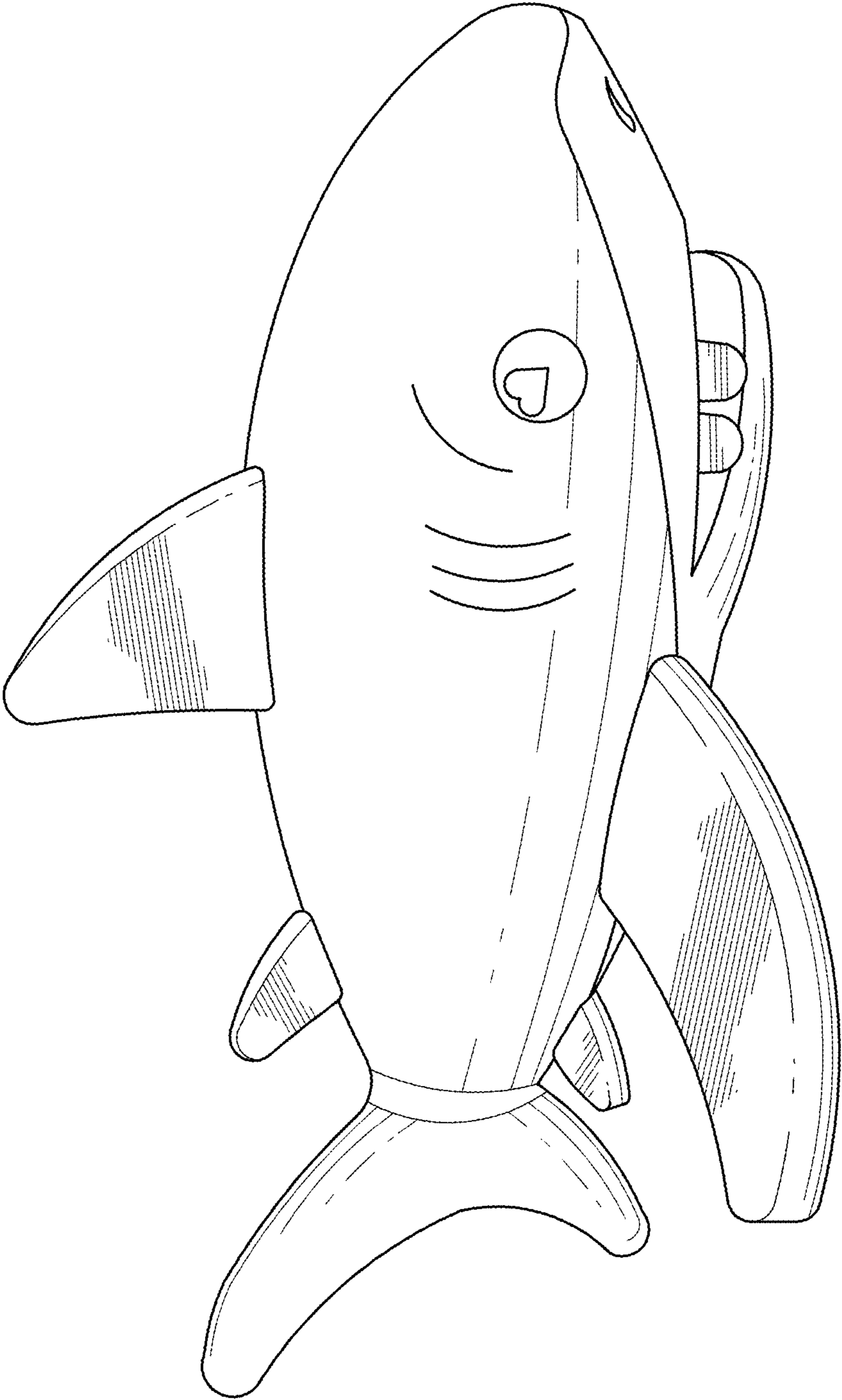


FIG. 1

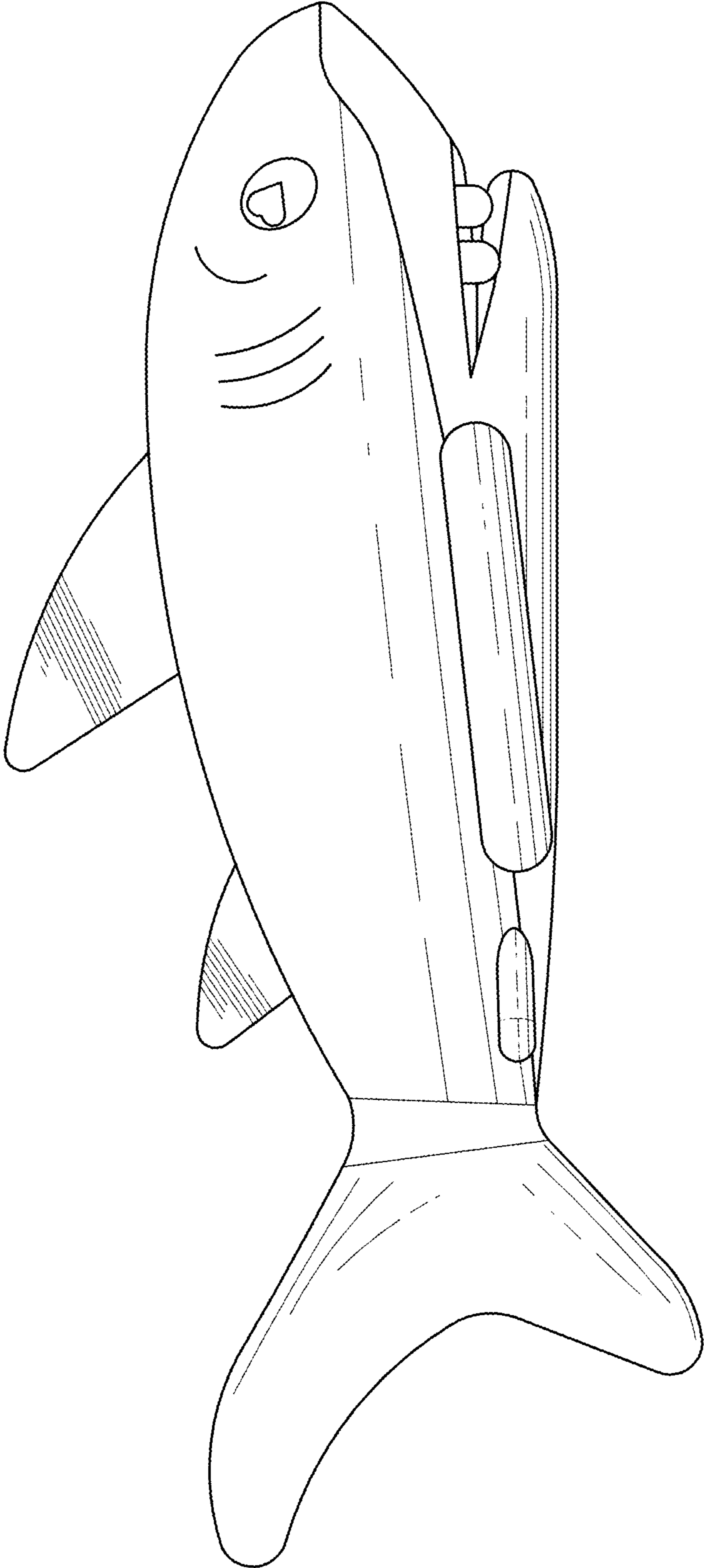
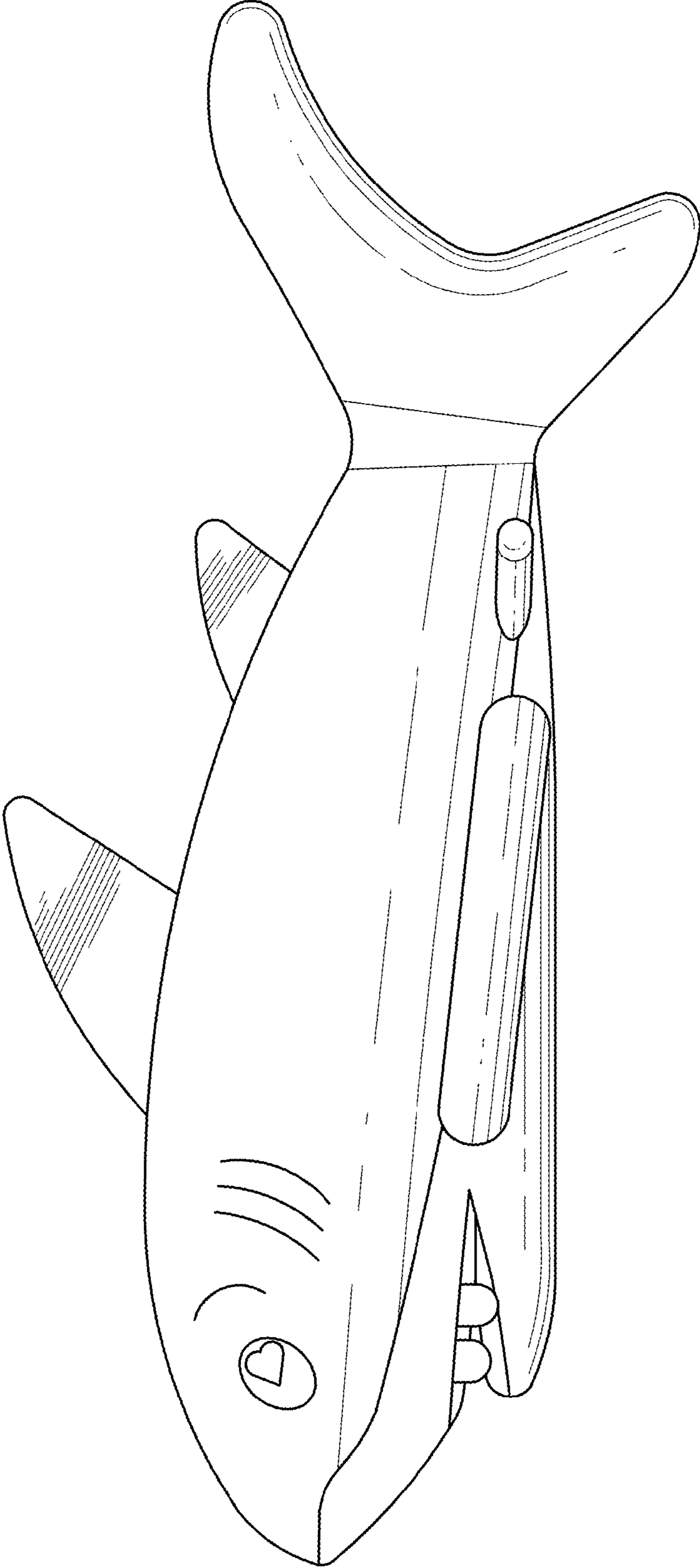


FIG. 2

FIG. 3



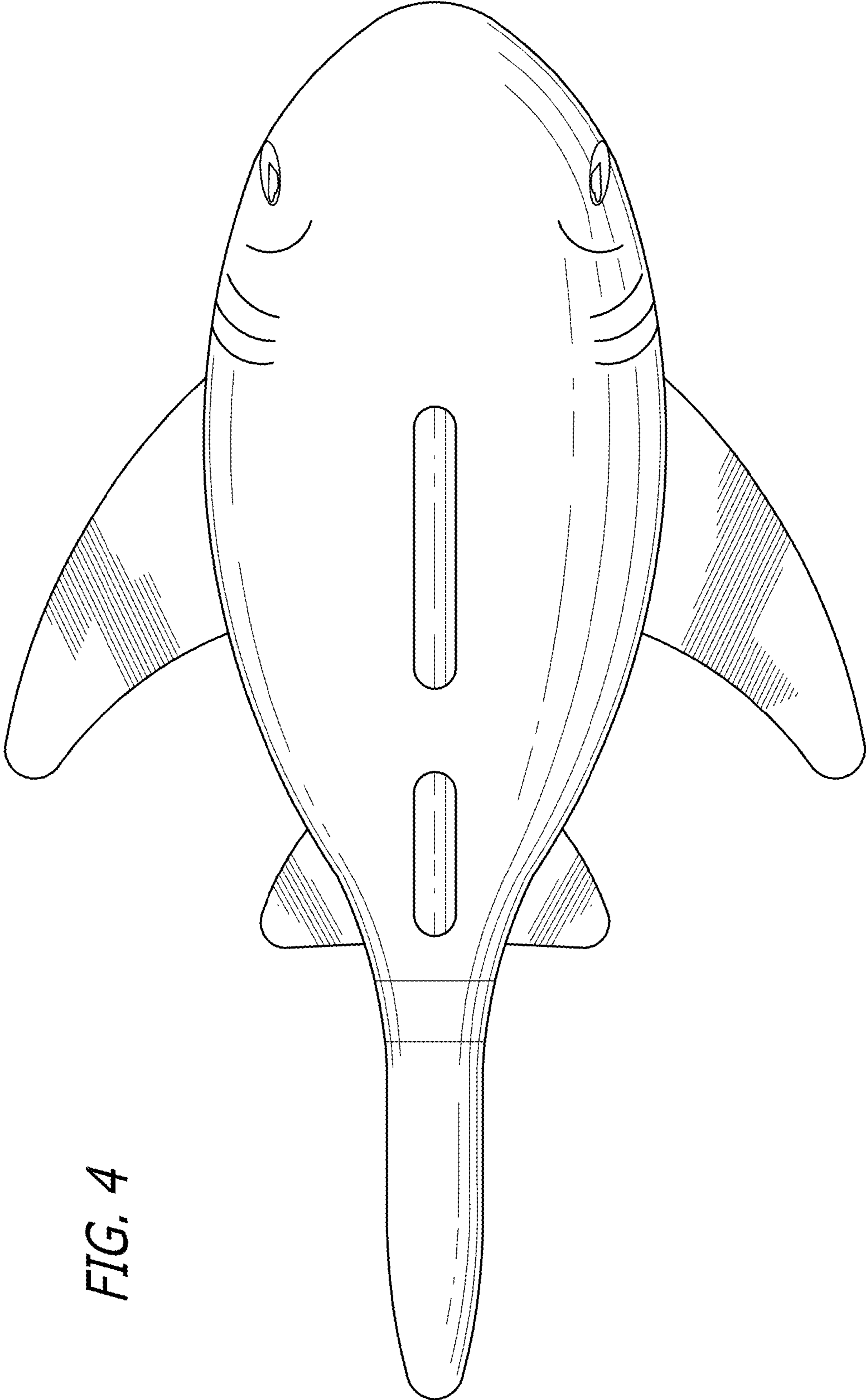


FIG. 4

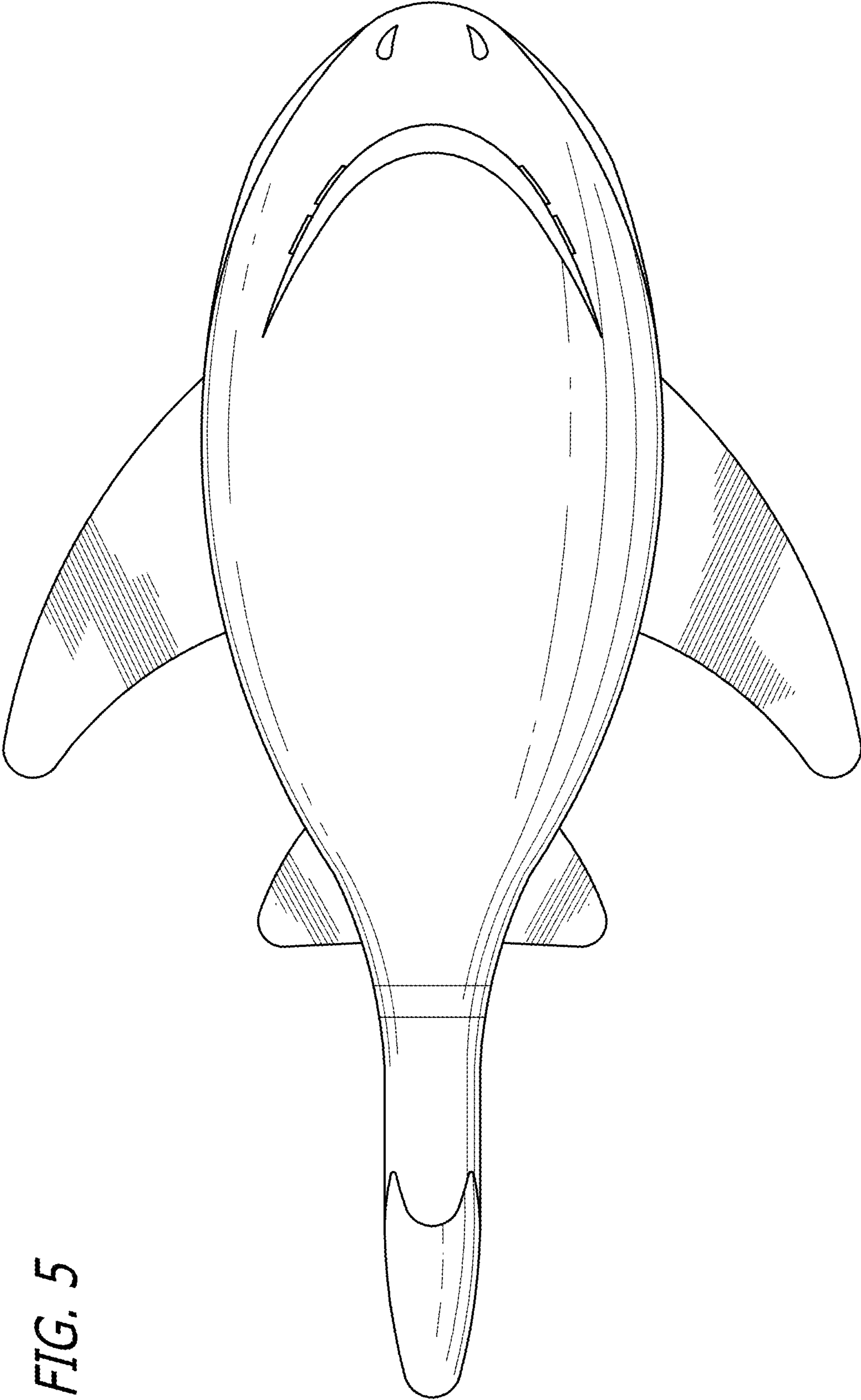


FIG. 5

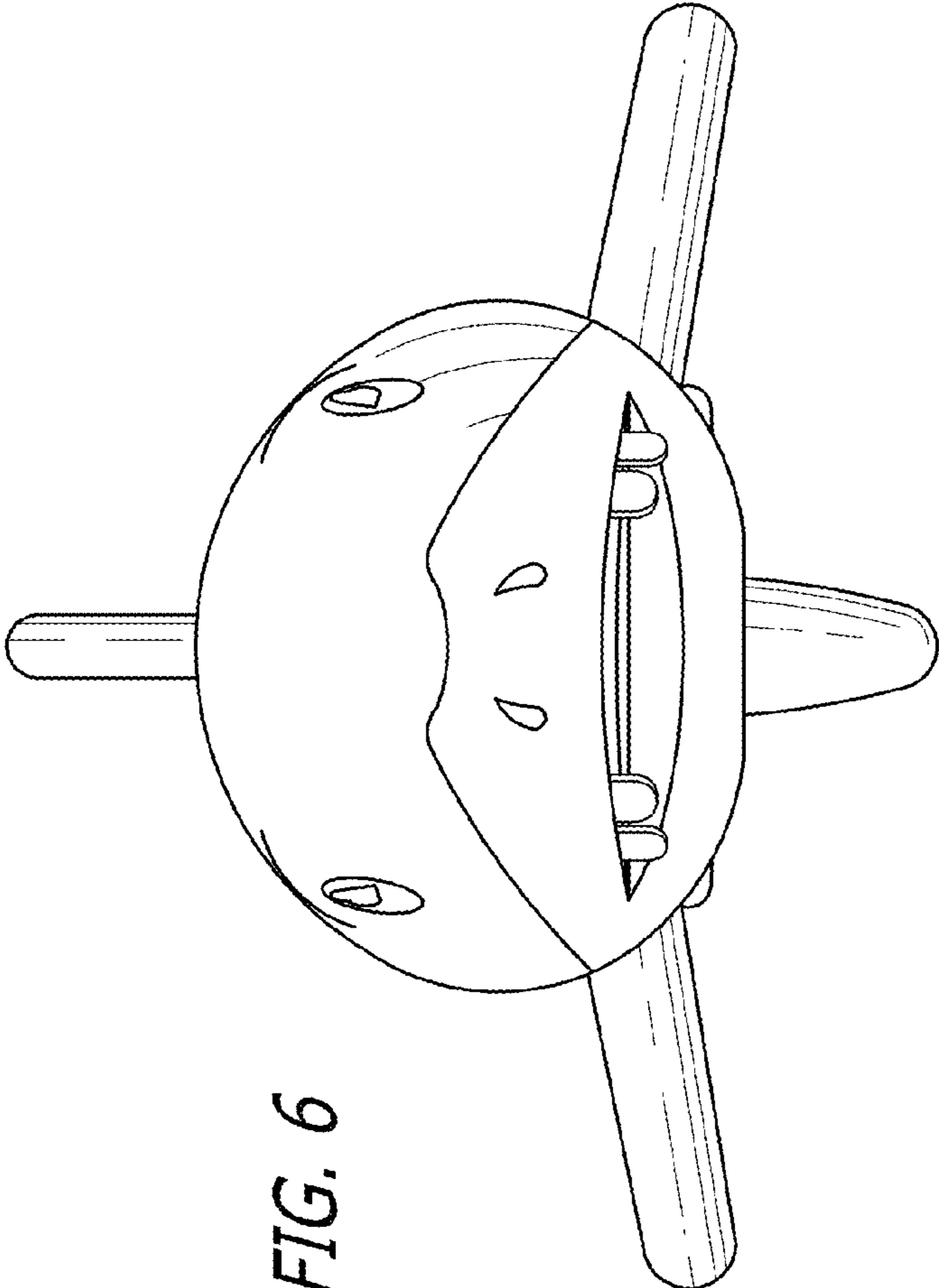


FIG. 6

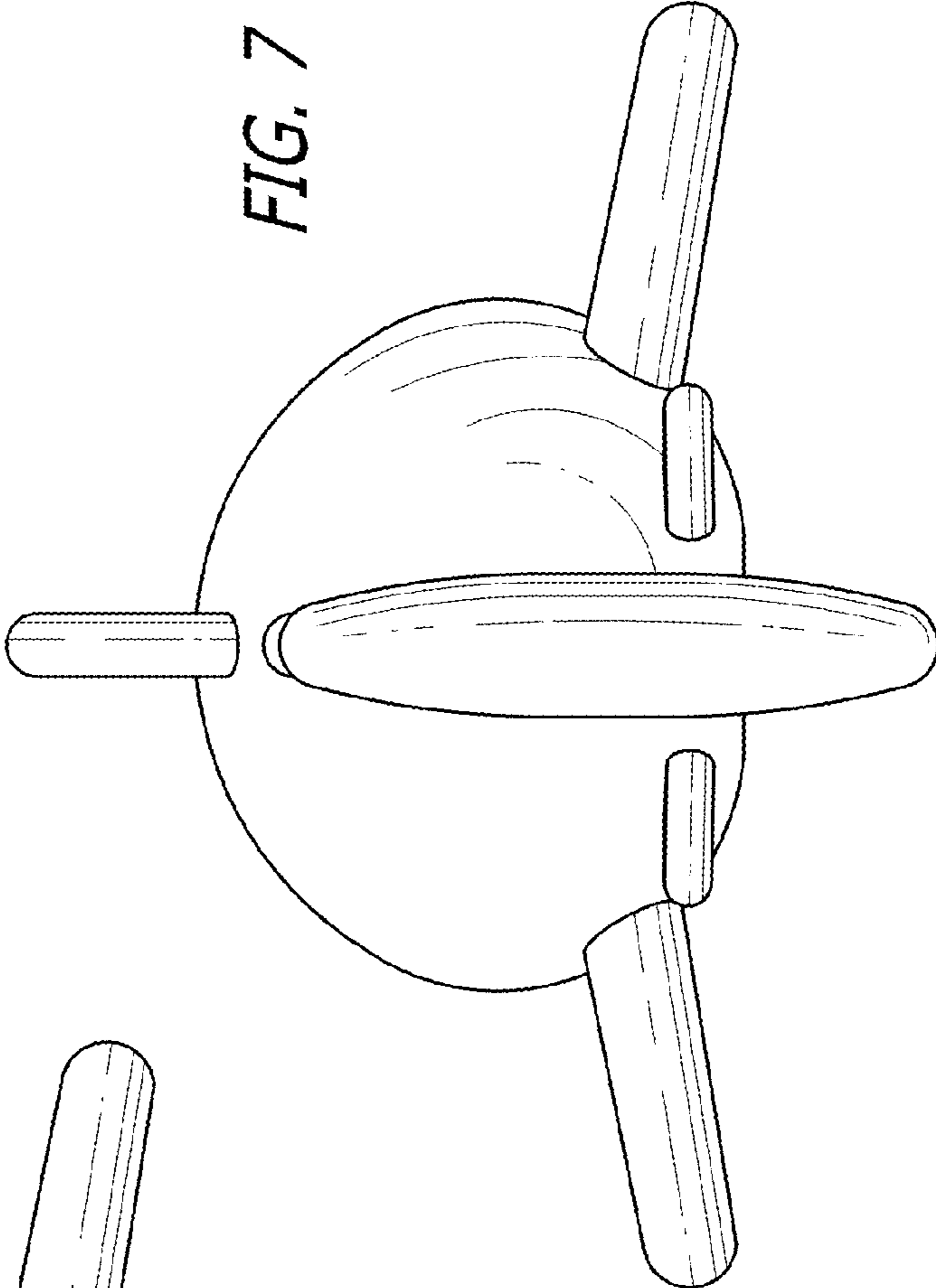


FIG. 7