



US00D730999S

(12) **United States Design Patent**
Stevens

(10) **Patent No.:** **US D730,999 S**
(45) **Date of Patent:** **** Jun. 2, 2015**

(54) **COMPRESSED GAS GUN**
(71) Applicant: **Simon B. Stevens**, Bamsboro, NJ (US)
(72) Inventor: **Simon B. Stevens**, Bamsboro, NJ (US)
(73) Assignee: **KEE Action Sports I LLC**, Sewell, NJ (US)

4,335,643 A 6/1982 Gal
4,501,189 A 2/1985 Brandl et al.
4,512,236 A 4/1985 Thevis et al.
4,513,523 A 4/1985 Gal
4,630,757 A 12/1986 Yano

(Continued)

(**) Term: **14 Years**

GB 127264 6/1919
GB 875093 8/1961

FOREIGN PATENT DOCUMENTS

(21) Appl. No.: **29/458,711**

OTHER PUBLICATIONS

(22) Filed: **Jun. 21, 2013**

Savioli, Giulio, United States Statutory Invention Registration No. H164, published Nov. 4, 1986, entitled "High Capacity Magazine for Weapons" (9 pages).

(51) **LOC (10) Cl.** **21-01**

(52) **U.S. Cl.**
USPC **D21/573**

(Continued)

(58) **Field of Classification Search**
USPC D21/333, 401, 461, 514, 567, 568,
D21/570-575; D22/100, 101, 103, 104,
D22/105, 108-110; D14/418; 446/23, 182,
446/192, 401, 403, 405-407, 473, 475;
124/16, 26, 27, 28, 29, 54, 73-77;
222/78, 79; 42/54, 57, 58, 71.01, 72,
42/105, 124

Primary Examiner — Cynthia M Chin
(74) *Attorney, Agent, or Firm* — Volpe and Koenig, P.C.

See application file for complete search history.

(57) **CLAIM**
The ornamental design for a compressed gas gun, as shown and described.

(56) **References Cited**

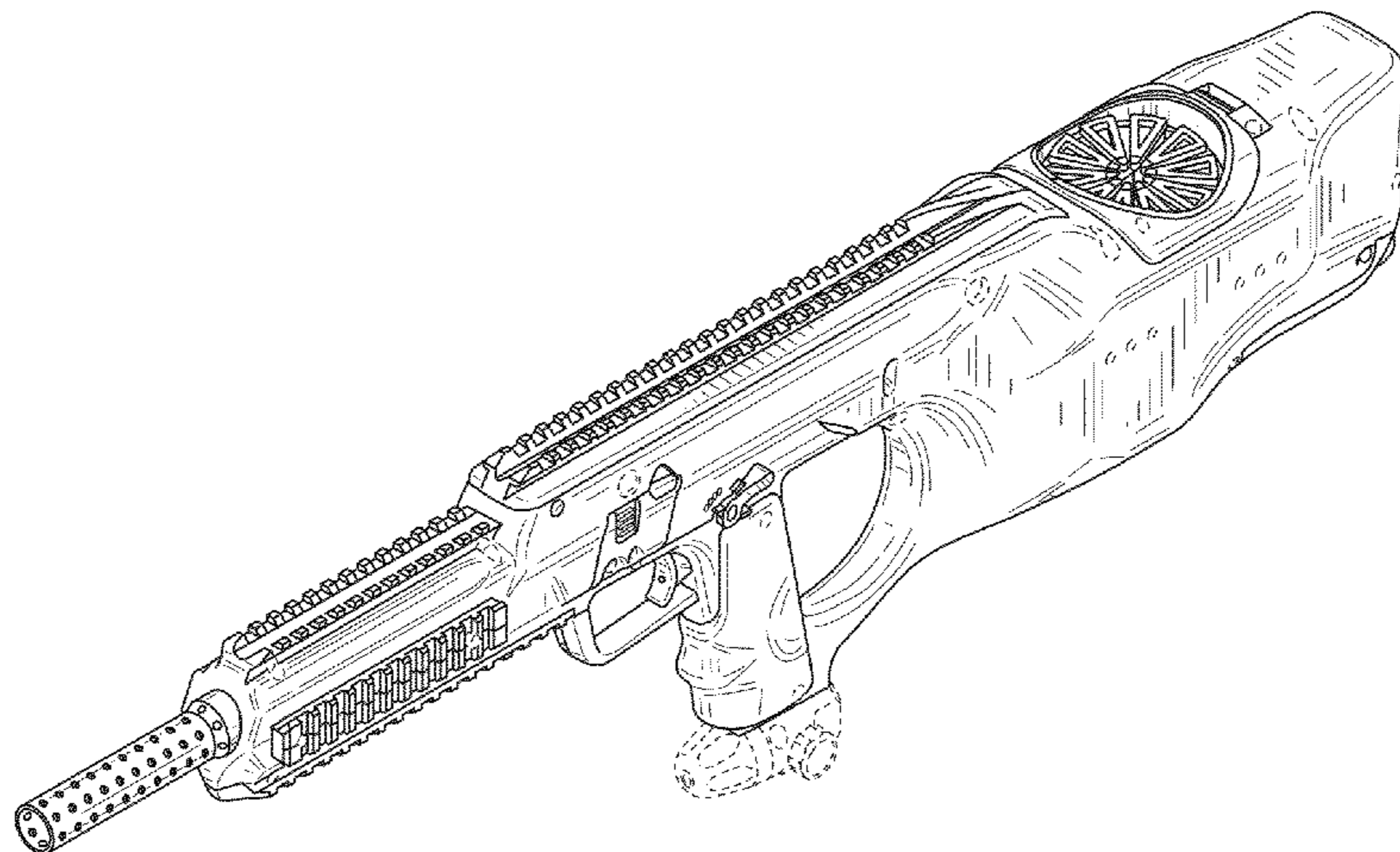
DESCRIPTION

U.S. PATENT DOCUMENTS

1,879,603 A 9/1932 Coupland
2,287,066 A 6/1942 Rogers
2,337,840 A 12/1943 Scott-Paine et al.
2,713,338 A 7/1955 Abagoff
3,089,476 A 5/1963 Wolverton
3,256,632 A 6/1966 Beretta
3,570,162 A 3/1971 Suddarth
3,906,833 A 9/1975 Orozco
3,954,042 A 5/1976 Hupp et al.
3,996,916 A 12/1976 Koehn et al.
4,073,280 A 2/1978 Koehn et al.
4,327,626 A 5/1982 McQueen

FIG. 1 is a perspective view of a compressed gas gun of the invention.
FIG. 2 is a front view of the compressed gas gun of FIG. 1.
FIG. 3 is a rear view of the compressed gas gun of FIG. 1.
FIG. 4 is a left side view of the compressed gas gun of FIG. 1.
FIG. 5 is a right side view of the compressed gas gun of FIG. 1.
FIG. 6 is a top view of the compressed gas gun of FIG. 1; and, FIG. 7 is bottom view of the compressed gas gun of FIG. 1.
The broken lines shown are included for the purpose of illustrating the unclaimed portions of the article and form no part of the claimed design.

1 Claim, 5 Drawing Sheets



(56)

References Cited

U.S. PATENT DOCUMENTS

4,641,567 A 2/1987 Creedon
 4,694,815 A 9/1987 Hung
 4,743,030 A 5/1988 Auer et al.
 4,750,641 A 6/1988 Chin-Fu
 4,763,430 A 8/1988 D'Andrade
 4,817,496 A 4/1989 Zedrosser
 5,004,444 A 4/1991 Chih
 5,202,530 A 4/1993 Stephens
 5,251,906 A 10/1993 Heller et al.
 5,367,812 A 11/1994 Lautrec
 5,379,677 A 1/1995 Ealovega et al.
 5,410,833 A 5/1995 Paterson
 5,513,461 A 5/1996 Weldle
 5,689,908 A 11/1997 Brandl
 5,726,377 A 3/1998 Harris et al.
 5,816,232 A 10/1998 Bell
 5,826,363 A 10/1998 Olson
 5,839,422 A 11/1998 Ferris
 5,954,042 A 9/1999 Harvey
 6,012,374 A 1/2000 Brandl et al.
 D423,610 S * 4/2000 Lebensfeld et al. D21/573
 6,055,975 A 5/2000 Gallagher et al.
 6,250,194 B1 6/2001 Brandl et al.
 6,487,806 B2 12/2002 Murello et al.
 6,560,911 B2 5/2003 Sharp
 6,564,492 B2 5/2003 Weldle et al.
 6,598,329 B1 7/2003 Alexander
 6,836,990 B2 1/2005 Shiloni

6,854,206 B2 2/2005 Oz
 6,945,154 B1 9/2005 Luth
 D523,096 S * 6/2006 Pflaumer et al. D21/573
 D547,818 S * 7/2007 Wolfe D22/103
 7,363,741 B2 4/2008 DeSomma et al.
 D611,111 S * 3/2010 Hajjar et al. D22/103
 D638,887 S * 5/2011 En D21/573
 D648,811 S * 11/2011 En D21/573
 D649,202 S * 11/2011 En D21/573
 8,381,710 B2 2/2013 Nguyen
 D687,905 S * 8/2013 Hadley et al. D21/573
 2005/0000142 A1 1/2005 Kim et al.
 2005/0241211 A1 11/2005 Swan
 2013/0167821 A1 7/2013 Nguyen

OTHER PUBLICATIONS

Umarex USA 2009 Catalog (77 pages).
 Umarex USA 2010 Catalog (88 pages).
 NPS Evolt, Jan. 31, 2005 (French release) (5 pages).
 NPS Evolt, press release Oct. 2, 2005 (2 pages).
 Evolt, National Paintball Supply for Immediate Release, Feb. 8, 2005 (1 page).
 Evolt, National Paintball Supply for Immediate Release, Feb. 8, 2005, with Blogs (2 pages).
 National Paintball Supply Evolt Electric Paintball Marker, Aug. 30, 2006 (6 pages).
 Sunyjim's Paintball Club, Paintball History The Ongoing History of Paintball, copyright 2005 (11 pages).

* cited by examiner

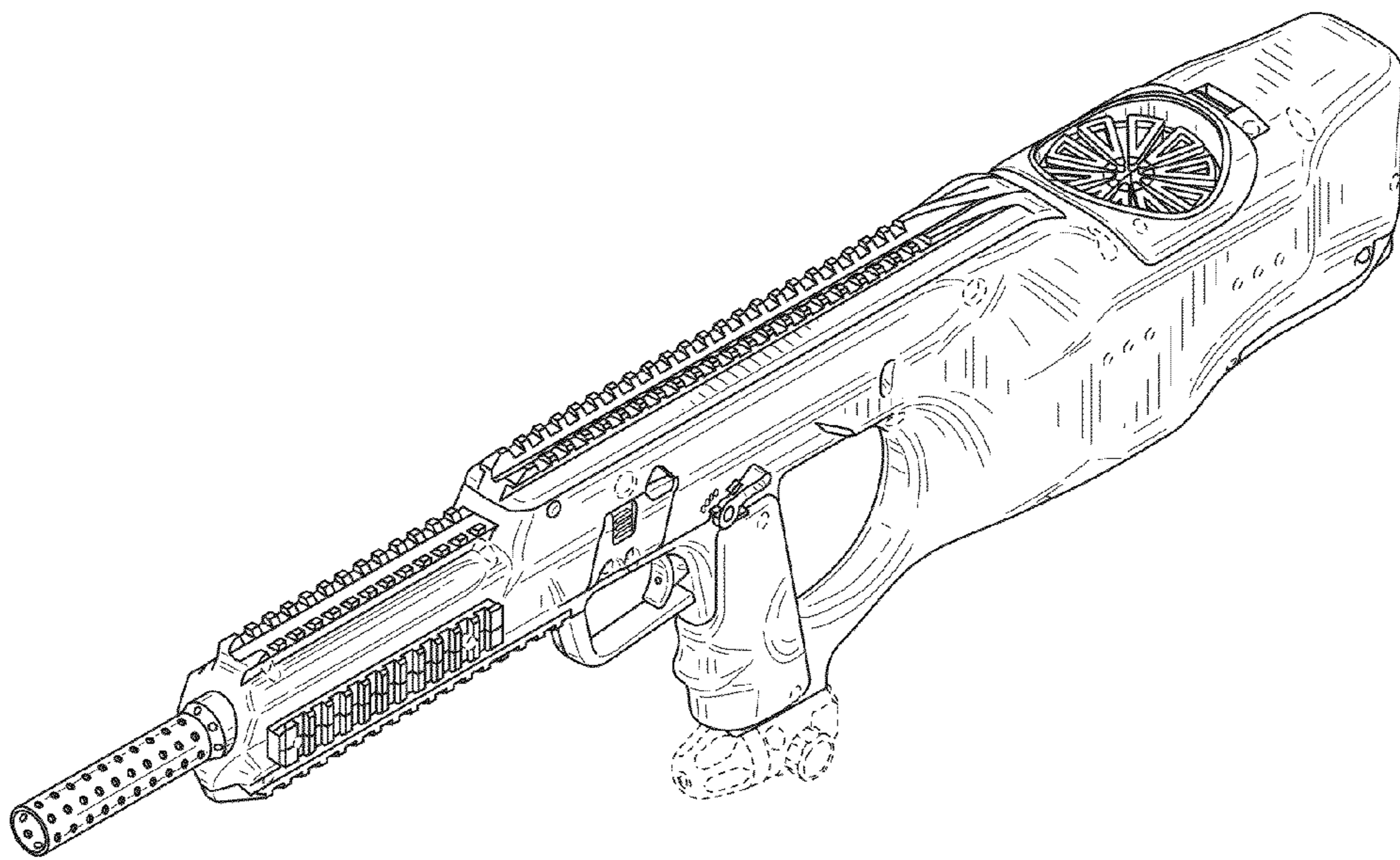


FIG. 1

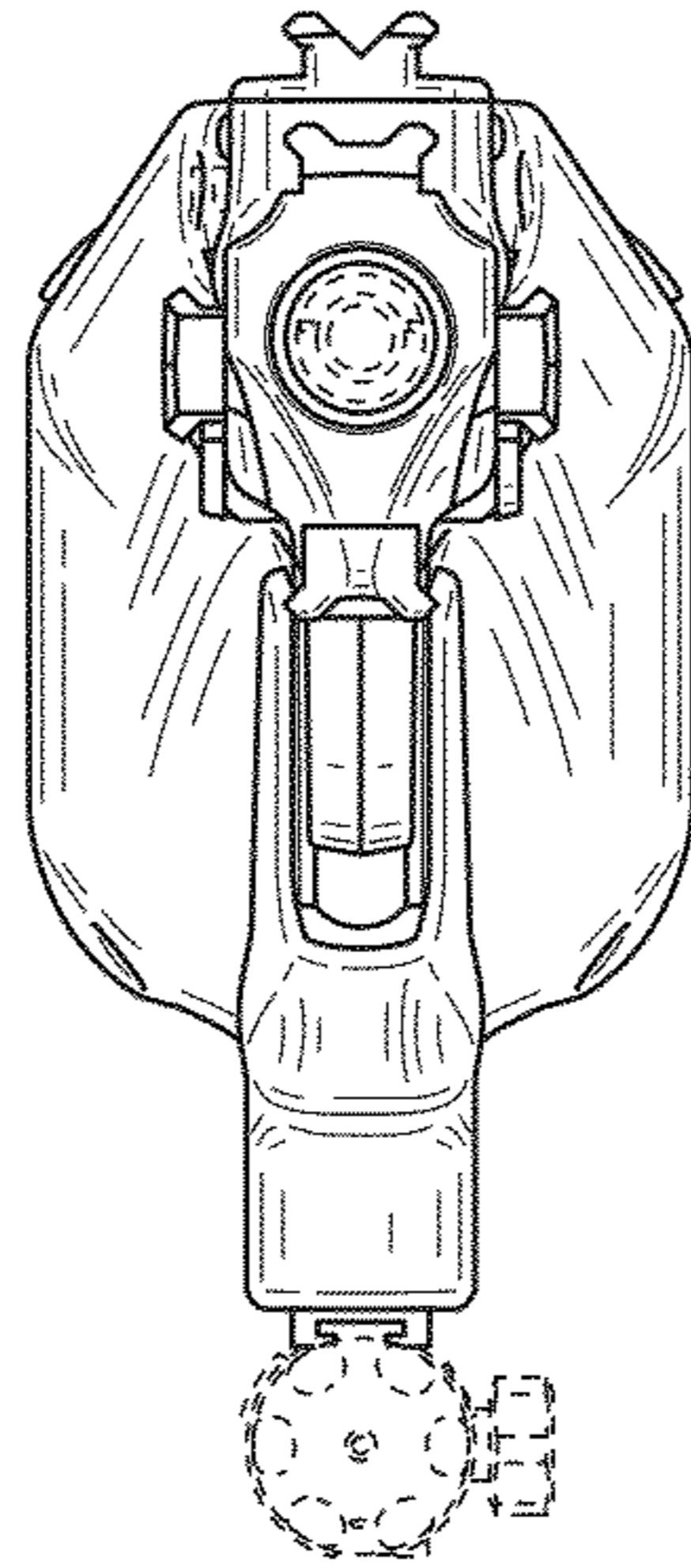


FIG. 2

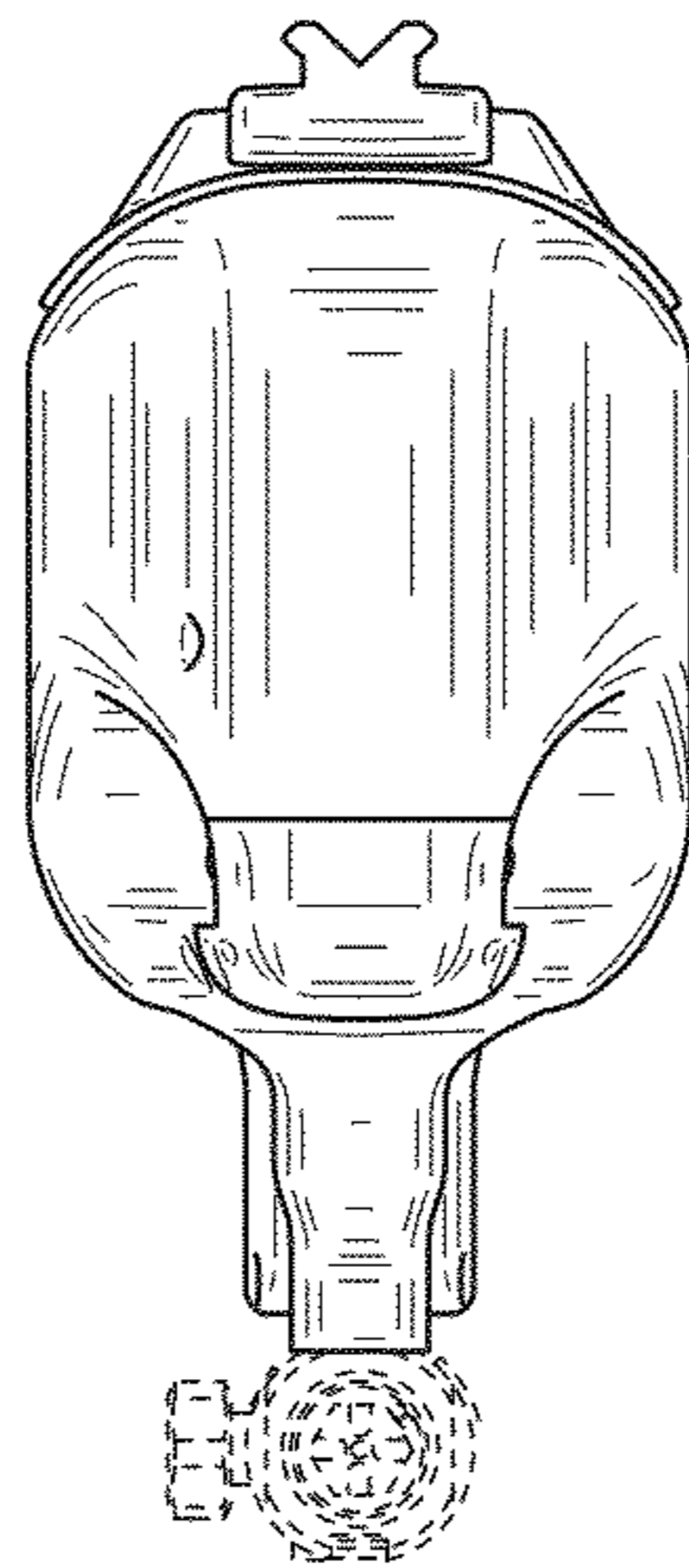


FIG. 3

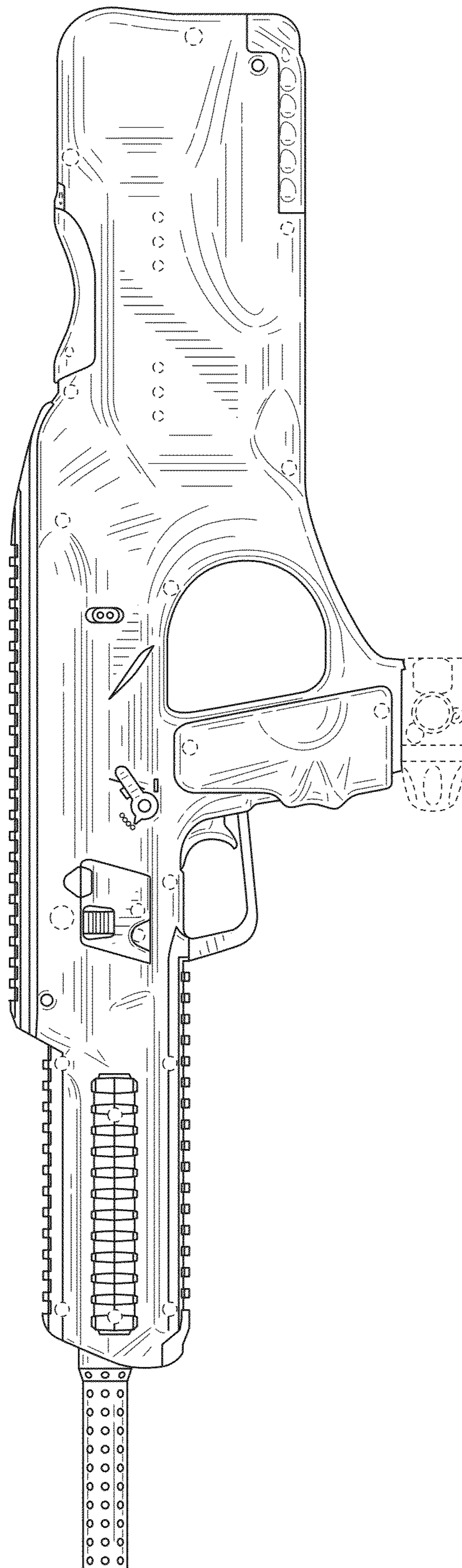


FIG. 4

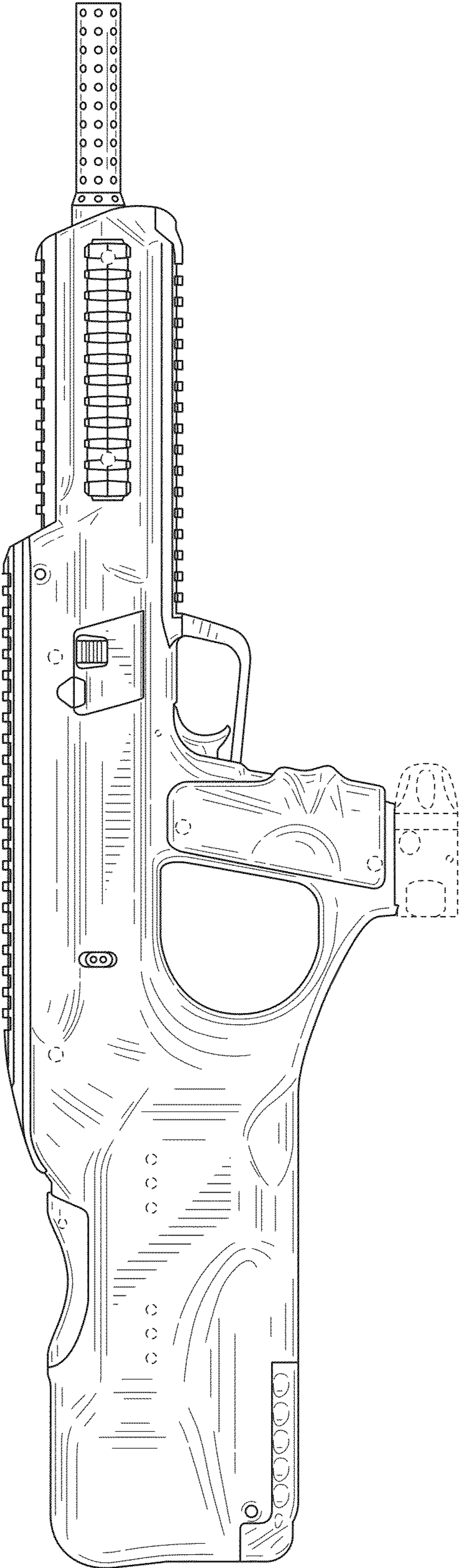


FIG. 5

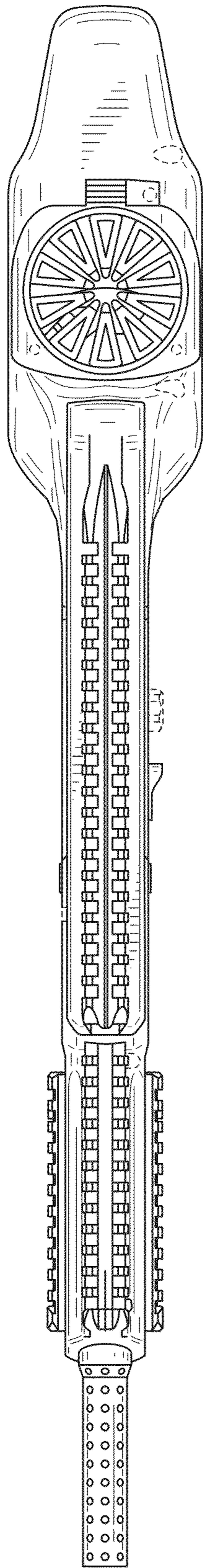


FIG. 6

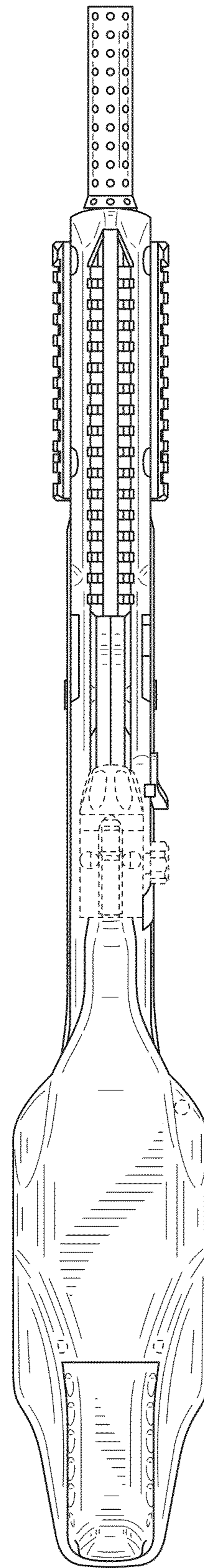


FIG. 7