



US00D730995S

(12) **United States Design Patent**
Hayes et al.

(10) **Patent No.:** **US D730,995 S**
(45) **Date of Patent:** **** Jun. 2, 2015**

(54) **INFANT MOBILE**

(71) Applicant: **SKIP HOP, INC.**, New York, NY (US)

(72) Inventors: **Adam L. Hayes**, Brooklyn, NY (US);
Benjamin Bearsch, Brooklyn, NY (US);
Inbal Aderka, Brooklyn, NY (US);
Janet Villano, Jersey City, NJ (US);
Ellen Diamant, New York, NY (US)

(73) Assignee: **SKIP HOP, INC.**, New York, NY (US)

(**) Term: **14 Years**

(21) Appl. No.: **29/501,610**

(22) Filed: **Sep. 5, 2014**

(51) **LOC (10) Cl.** **21-01**

(52) **U.S. Cl.**
USPC **D21/467**; D21/476

(58) **Field of Classification Search**
USPC D21/398, 405, 411, 455, 458, 465-467,
D21/476; D11/141; D6/331, 333, 339, 390,
D6/672-674, 715, 715.1, 715.2,
D6/718.26-718.29; 446/227, 228, 236,
446/242, 265, 397
CPC A63H 5/00; A63H 33/006; A63H 13/20;
A63H 33/40; A63H 33/22
See application file for complete search history.

(56) **References Cited**

U.S. PATENT DOCUMENTS

3,919,795	A *	11/1975	Van Horne Jinivisian et al.	40/473
4,207,696	A *	6/1980	Hyman et al.	40/473
D278,446	S *	4/1985	Kujawski et al.	D21/467
4,904,220	A *	2/1990	Williams et al.	446/227
5,029,047	A *	7/1991	Kachel	362/551
D349,735	S *	8/1994	Cacciola et al.	D21/467
D356,346	S *	3/1995	Yip	D21/467
5,672,088	A *	9/1997	Chininis	446/227

D392,695	S *	3/1998	Haupt	D21/476
5,803,786	A *	9/1998	McCormick	446/227
D413,940	S *	9/1999	Yip	D21/467
5,951,360	A *	9/1999	Fearon et al.	446/227
6,413,141	B1 *	7/2002	Putney	446/227
D468,544	S *	1/2003	Myers	D6/334
D567,884	S *	4/2008	Walker et al.	D21/467
D594,913	S *	6/2009	Oren et al.	D21/467
D599,861	S *	9/2009	Oren et al.	D21/467
D695,846	S *	12/2013	Oren et al.	D21/398
2003/0153240	A1 *	8/2003	DeJule	446/227
2005/0148278	A1 *	7/2005	Drobinski et al.	446/227
2006/0178082	A1 *	8/2006	Saade	446/227
2008/0176480	A1 *	7/2008	Gelfond et al.	446/227
2010/0060448	A1 *	3/2010	Larsen et al.	340/539.15

* cited by examiner

Primary Examiner — Catherine Tuttle

(74) *Attorney, Agent, or Firm* — Stephen J. Weyer, Esq.;
Stites & Harbison, PLLC

(57) **CLAIM**

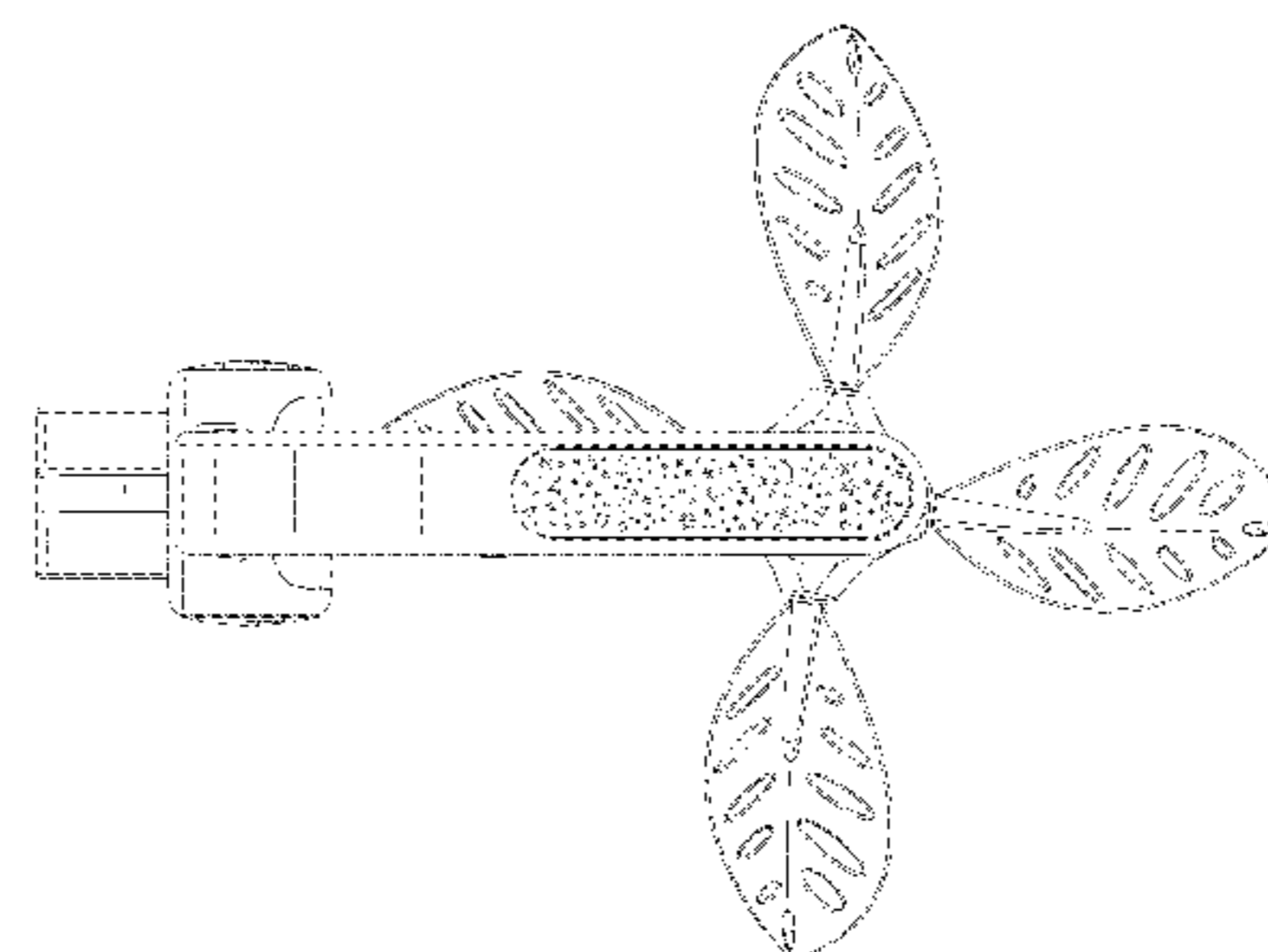
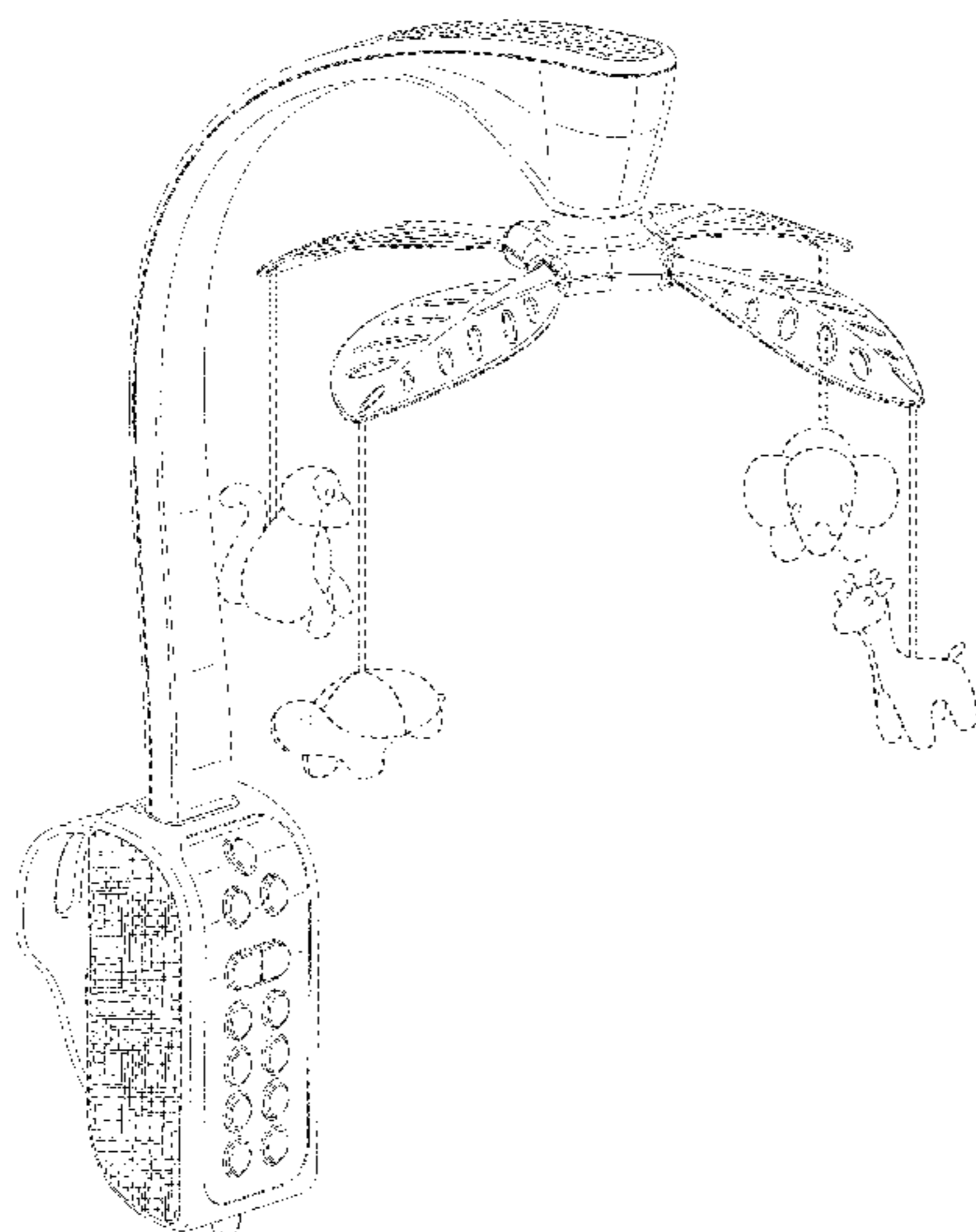
The ornamental design for an infant mobile, as shown and described.

DESCRIPTION

FIG. 1 is a perspective view taken from the top, front, and right side of the infant mobile embodying our new design. FIG. 2 is a front elevation view of the infant mobile of FIG. 1. FIG. 3 is a right side elevation view thereof, the opposite side being symmetrical therewith except for the orientation of the blades. FIG. 4 is a rear elevation view thereof. FIG. 5 is a top plan view thereof. FIG. 6 is a bottom plan view thereof; and, FIG. 7 is an alternative right side elevation view wherein the base element is rotated 180° relative to the position shown in FIG. 3.

The broken lines shown in FIG. 1 are included for the purpose of illustrating elements of the infant mobile that form no part of the claimed design.

1 Claim, 7 Drawing Sheets



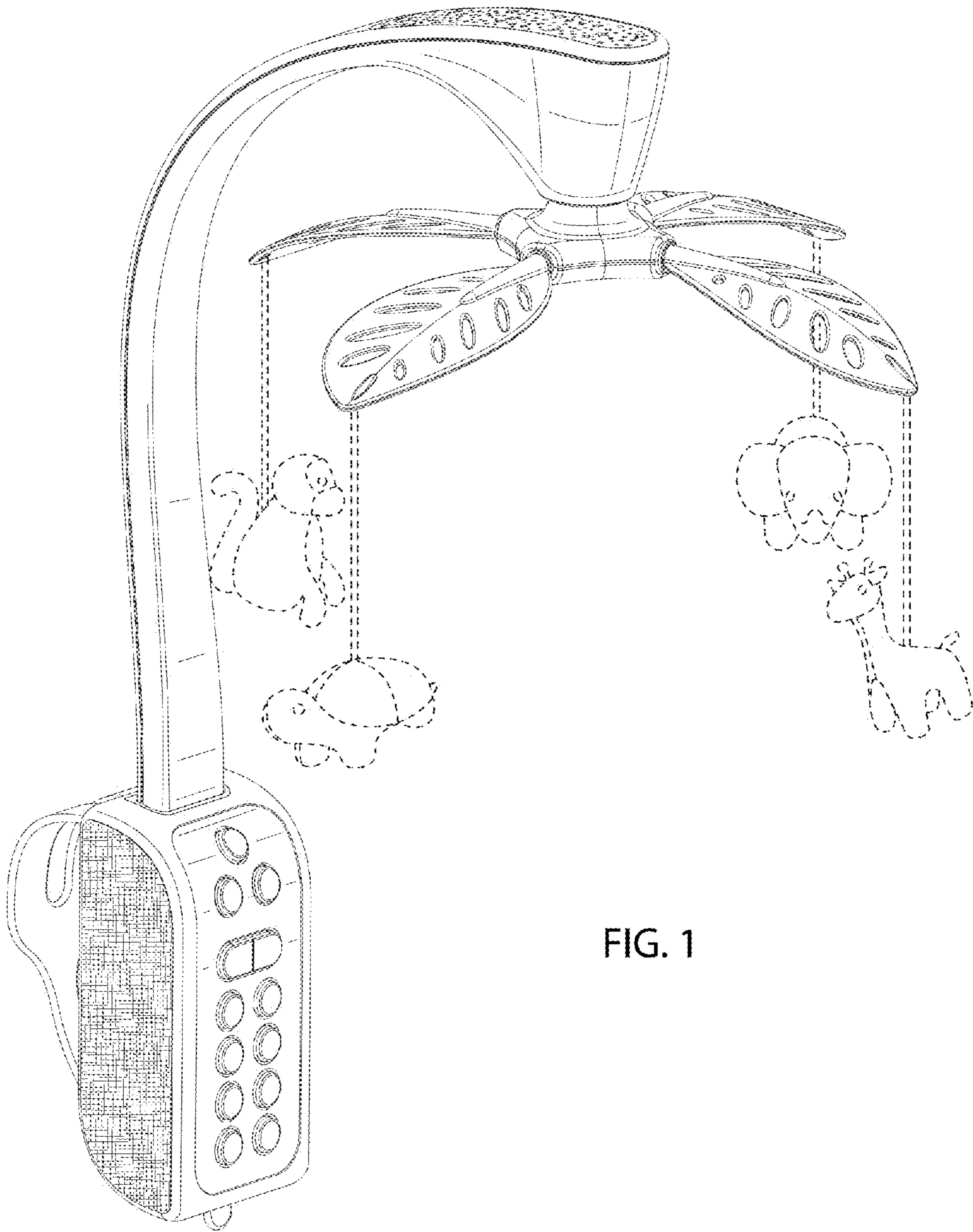


FIG. 1

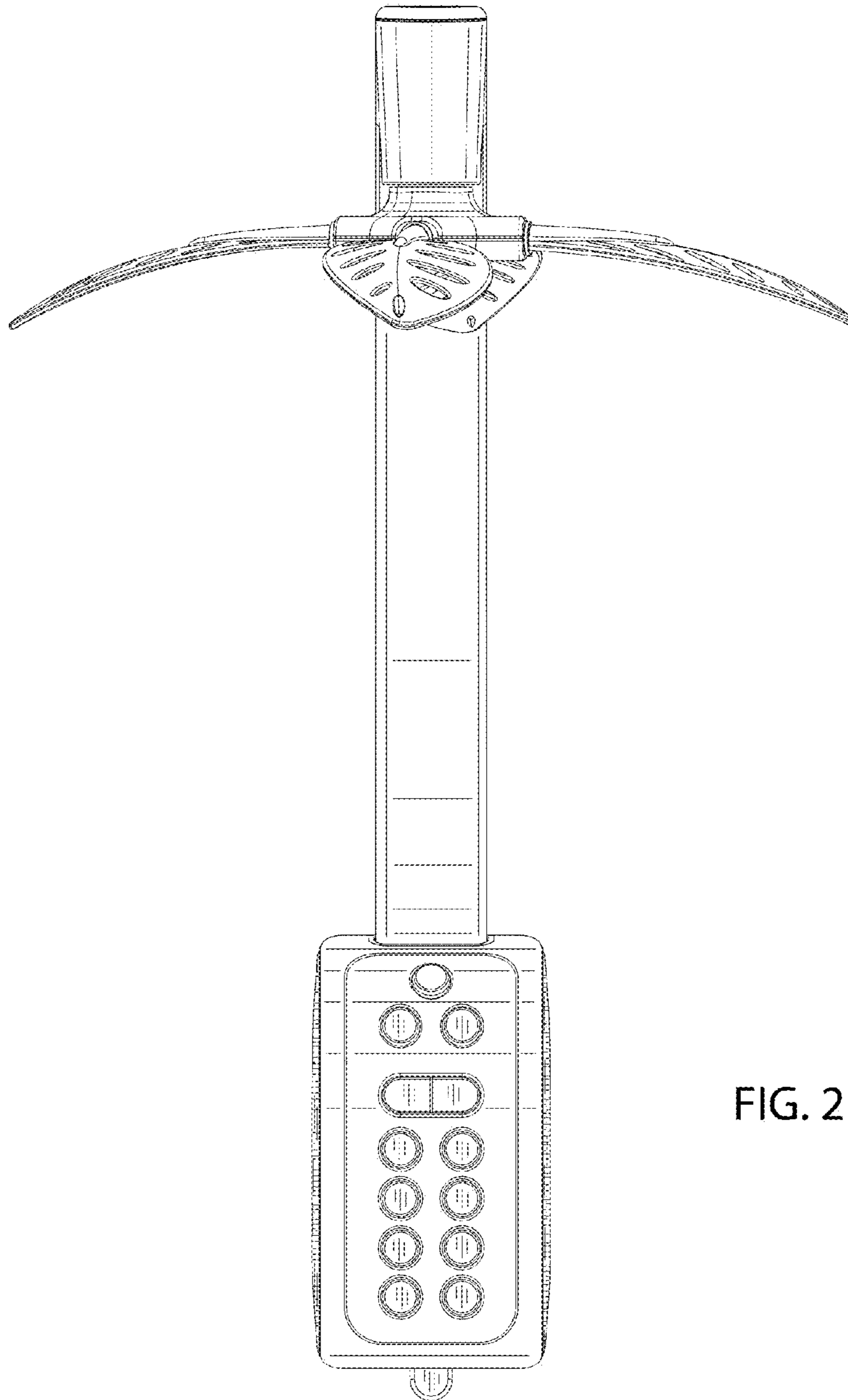


FIG. 2

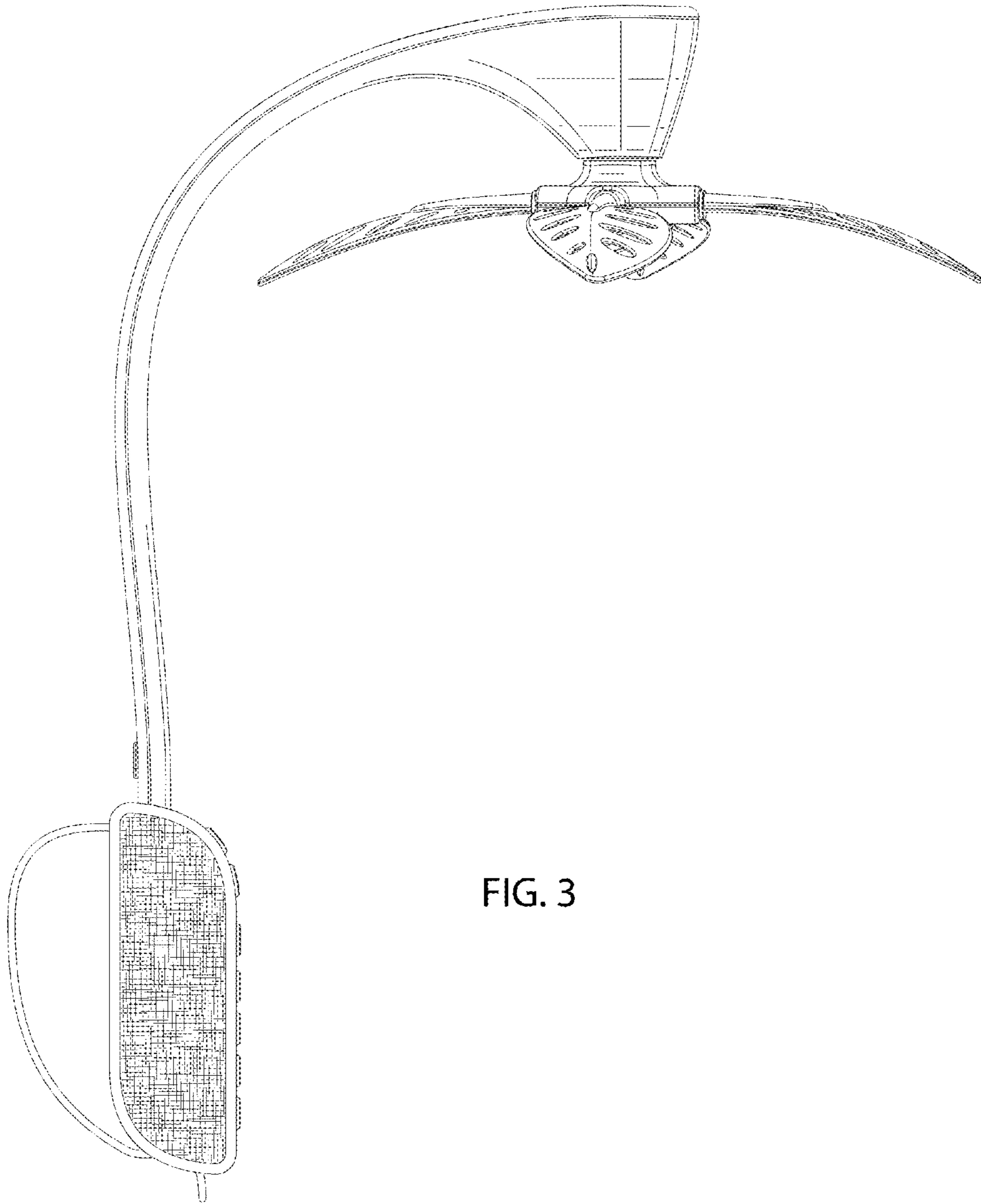


FIG. 3

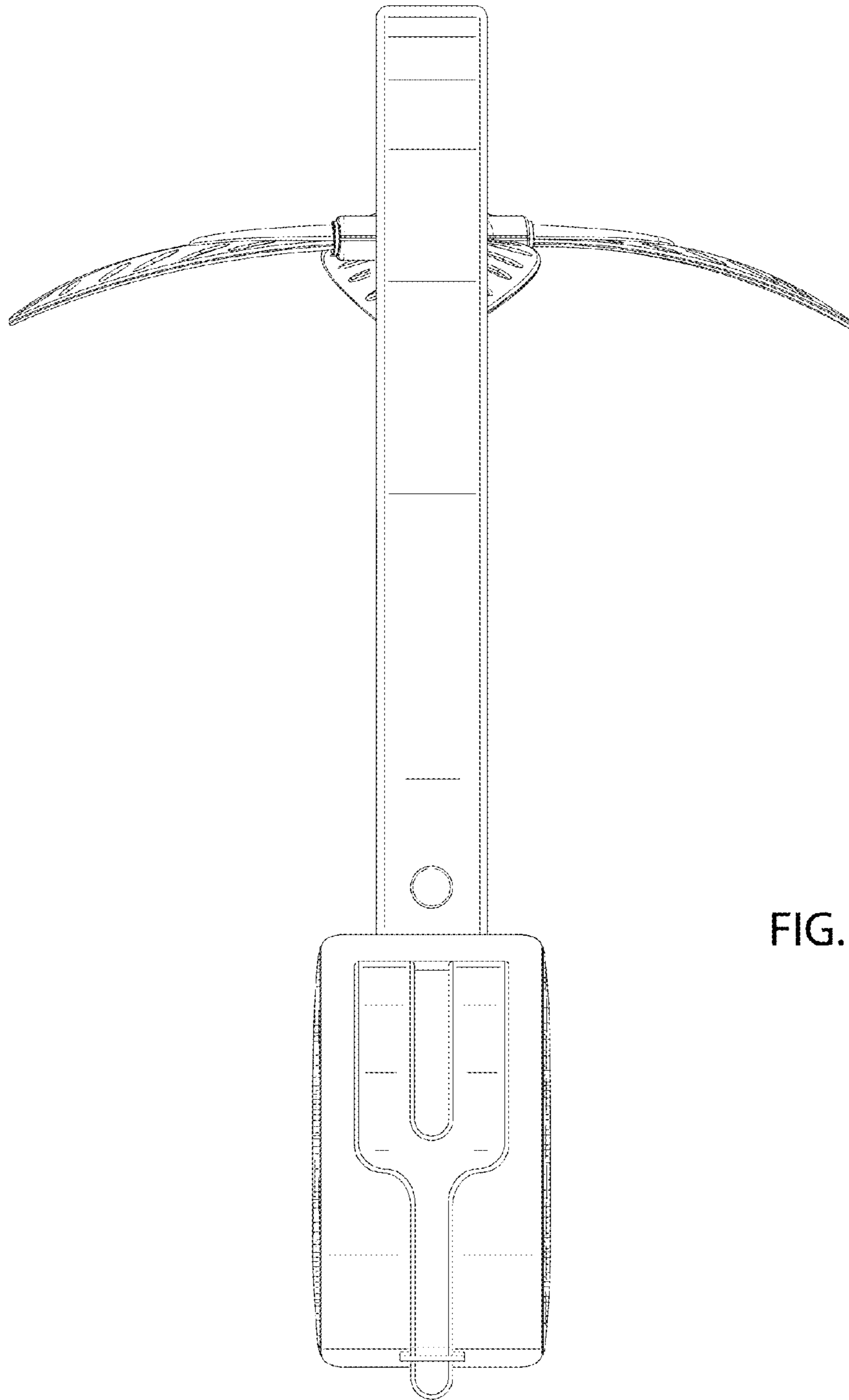


FIG. 4

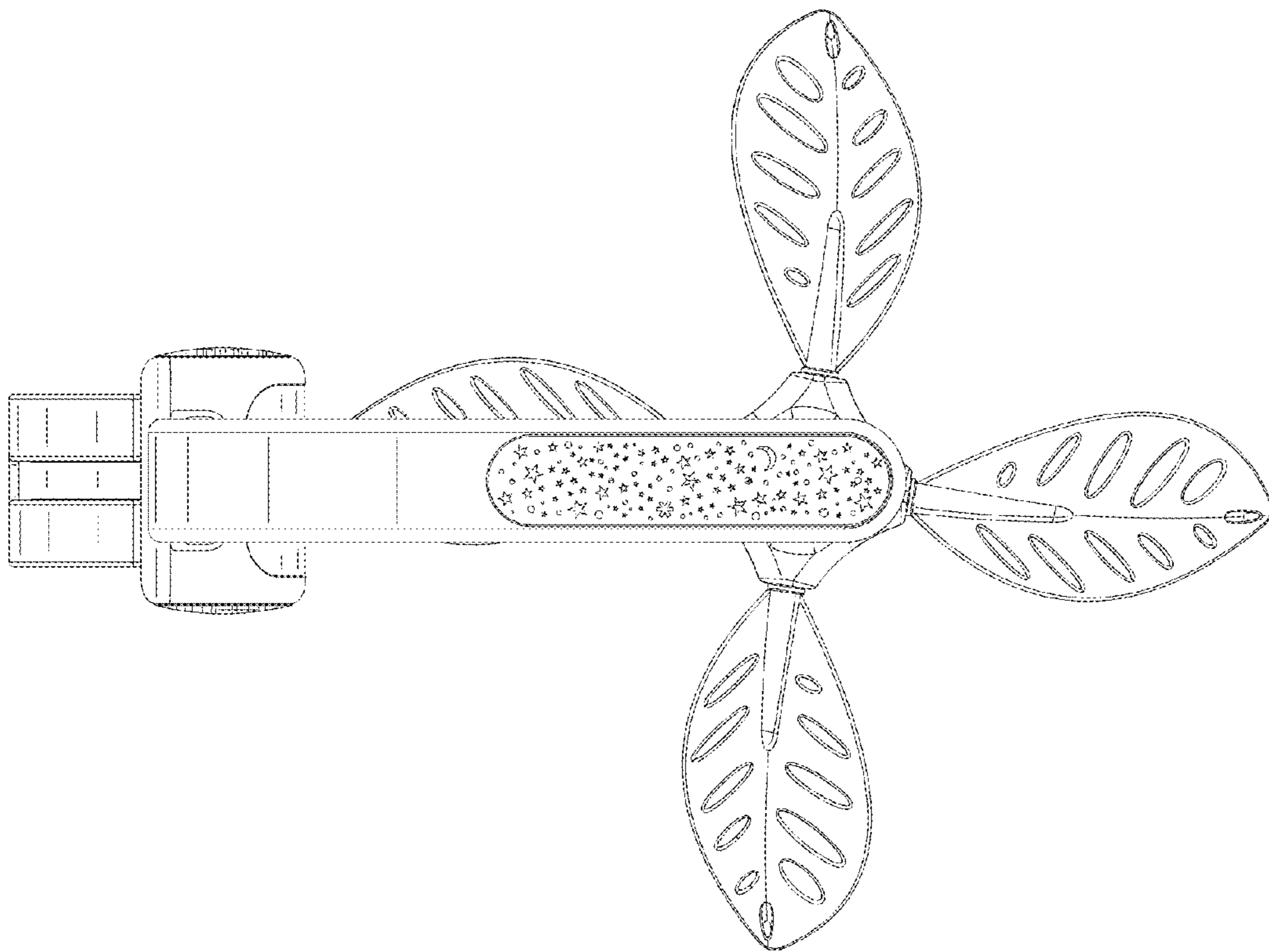


FIG. 5

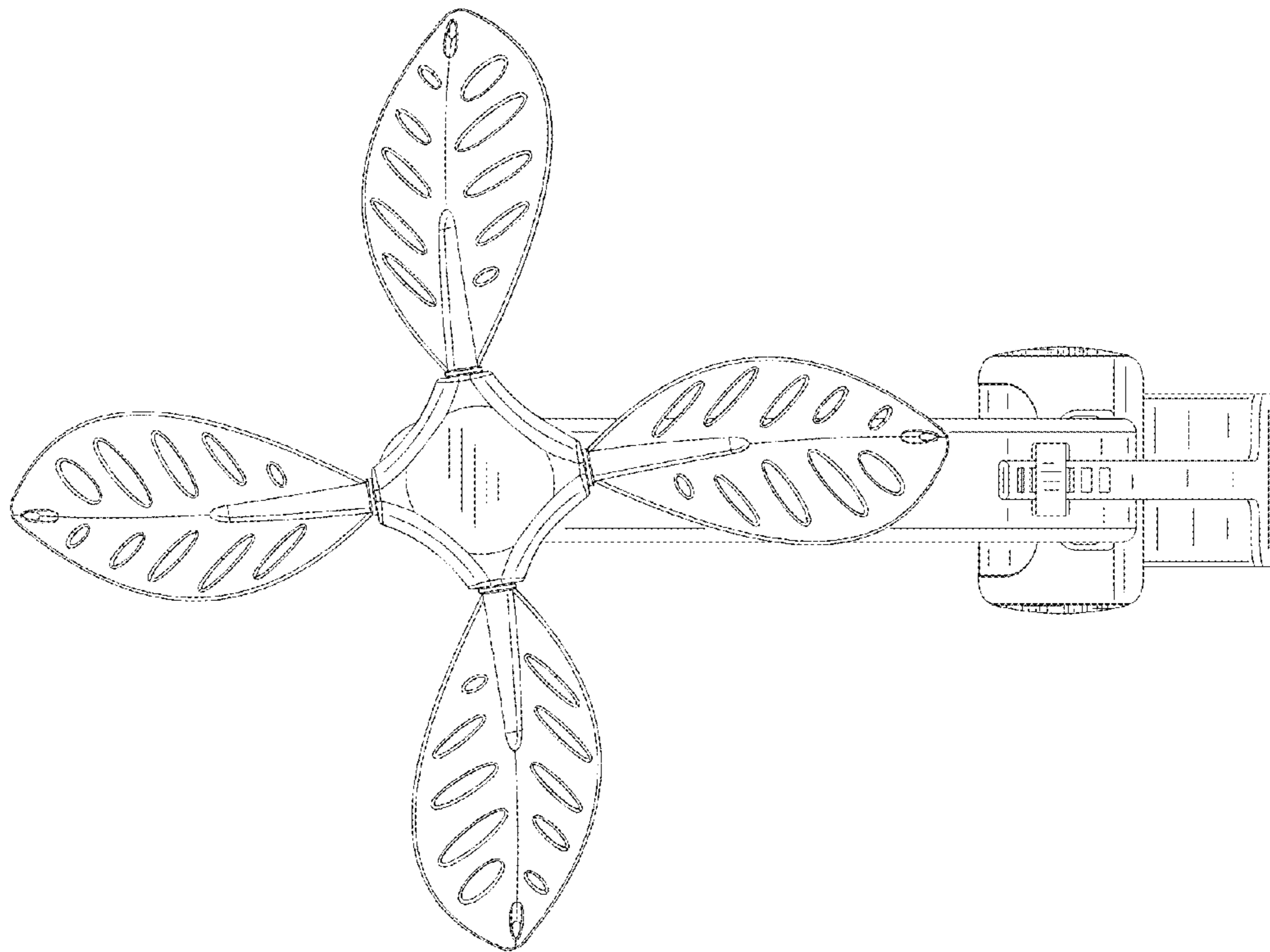


FIG. 6

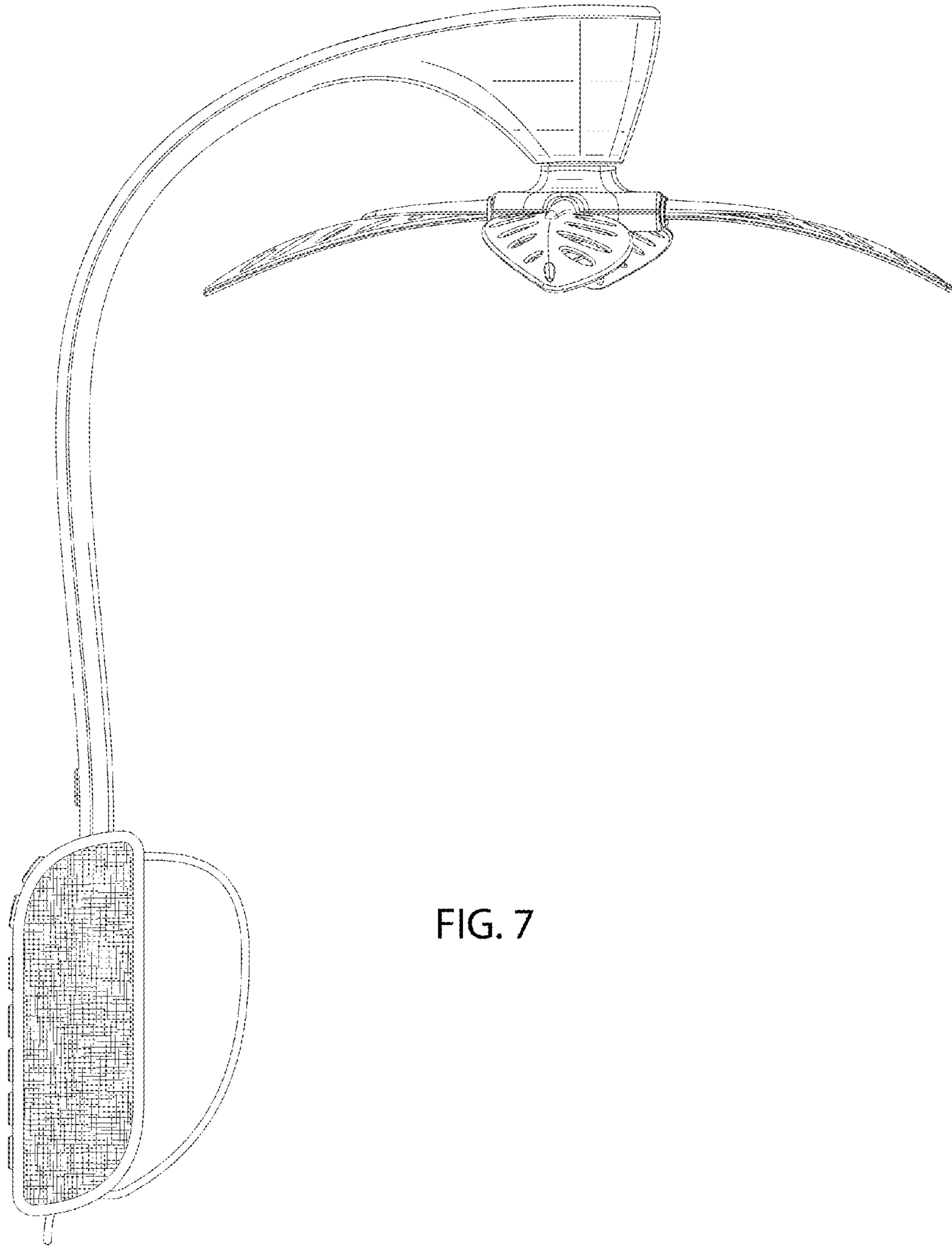


FIG. 7