

US00D730994S

(12) **United States Design Patent**  
**Lane et al.**

(10) **Patent No.:** **US D730,994 S**  
(45) **Date of Patent:** **\*\* Jun. 2, 2015**

(54) **TOY BAR FOR A DRIVEN INFANT SEAT**

(71) Applicant: **Thorley Industries LLC**, Pittsburgh, PA (US)

(72) Inventors: **Richard L. Lane**, Pittsburgh, PA (US);  
**Elijah M. Wiegmann**, Pittsburgh, PA (US);  
**Robert D. Daley**, Pittsburgh, PA (US)

(73) Assignee: **Thorley Industries LLC**, Pittsburgh, PA (US)

(\*\*) Term: **14 Years**

(21) Appl. No.: **29/449,528**

(22) Filed: **Mar. 15, 2013**

(51) **LOC (10) Cl.** ..... **21-01**

(52) **U.S. Cl.**  
USPC ..... **D21/467**; D21/476

(58) **Field of Classification Search**  
USPC ..... D21/398, 405, 411, 455, 458, 465–467,  
D21/476; D11/141; D6/331, 333, 339, 390,  
D6/672–674, 715, 715.1, 715.2,  
D6/718.26–718.29; 446/227, 228, 236,  
446/242, 265, 397  
CPC ..... A63H 5/00; A63H 33/006; A63H 13/20;  
A63H 33/40; A63H 33/22  
See application file for complete search history.

(56) **References Cited**

**U.S. PATENT DOCUMENTS**

D278,446 S \* 4/1985 Kujawski et al. .... D21/467  
4,904,220 A \* 2/1990 Williams et al. .... 446/227  
5,029,047 A \* 7/1991 Kachel ..... 362/551  
D324,351 S \* 3/1992 Shing ..... D11/141  
D349,735 S \* 8/1994 Cacciola et al. .... D21/467

D413,940 S \* 9/1999 Yip ..... D21/467  
D467,285 S \* 12/2002 Myers ..... D21/467  
6,629,727 B2 \* 10/2003 Asbach et al. .... 297/188.21  
D594,913 S \* 6/2009 Oren et al. .... D21/467  
D599,861 S \* 9/2009 Oren et al. .... D21/467  
D645,264 S 9/2011 Wiegmann et al.  
8,197,005 B2 6/2012 Hopke et al.  
8,239,984 B2 8/2012 Hopke et al.  
D695,846 S \* 12/2013 Oren et al. .... D21/398  
2003/0199328 A1 \* 10/2003 Wood et al. .... 472/1  
2005/0148278 A1 \* 7/2005 Drobinski et al. .... 446/227  
2008/0176480 A1 \* 7/2008 Gelfond et al. .... 446/227  
2010/0060448 A1 \* 3/2010 Larsen et al. .... 340/539.15  
2014/0061410 A1 \* 3/2014 Nassif ..... 248/219.4

\* cited by examiner

*Primary Examiner* — Catherine Tuttle

(74) *Attorney, Agent, or Firm* — The Webb Law Firm

(57) **CLAIM**

The ornamental design for a toy bar for a driven infant seat, as shown and described.

**DESCRIPTION**

FIG. 1 is a front perspective view of the toy bar for a driven infant seat showing our new design in association with an infant seat in broken lines;

FIG. 2 is a front elevation view thereof shown without the infant seat;

FIG. 3 is a front elevation view thereof;

FIG. 4 is a rear elevation view thereof;

FIG. 5 is a left side plan view thereof;

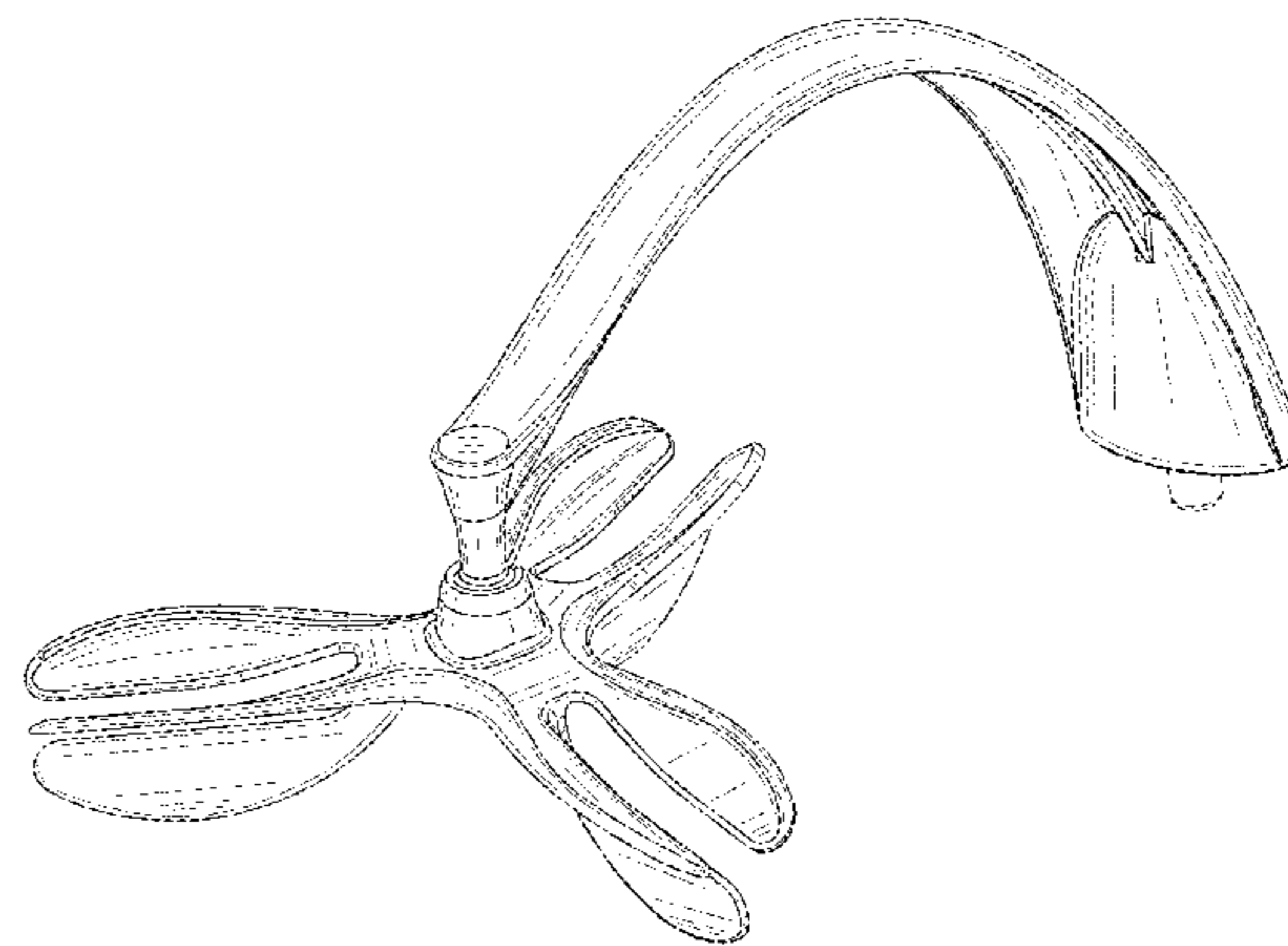
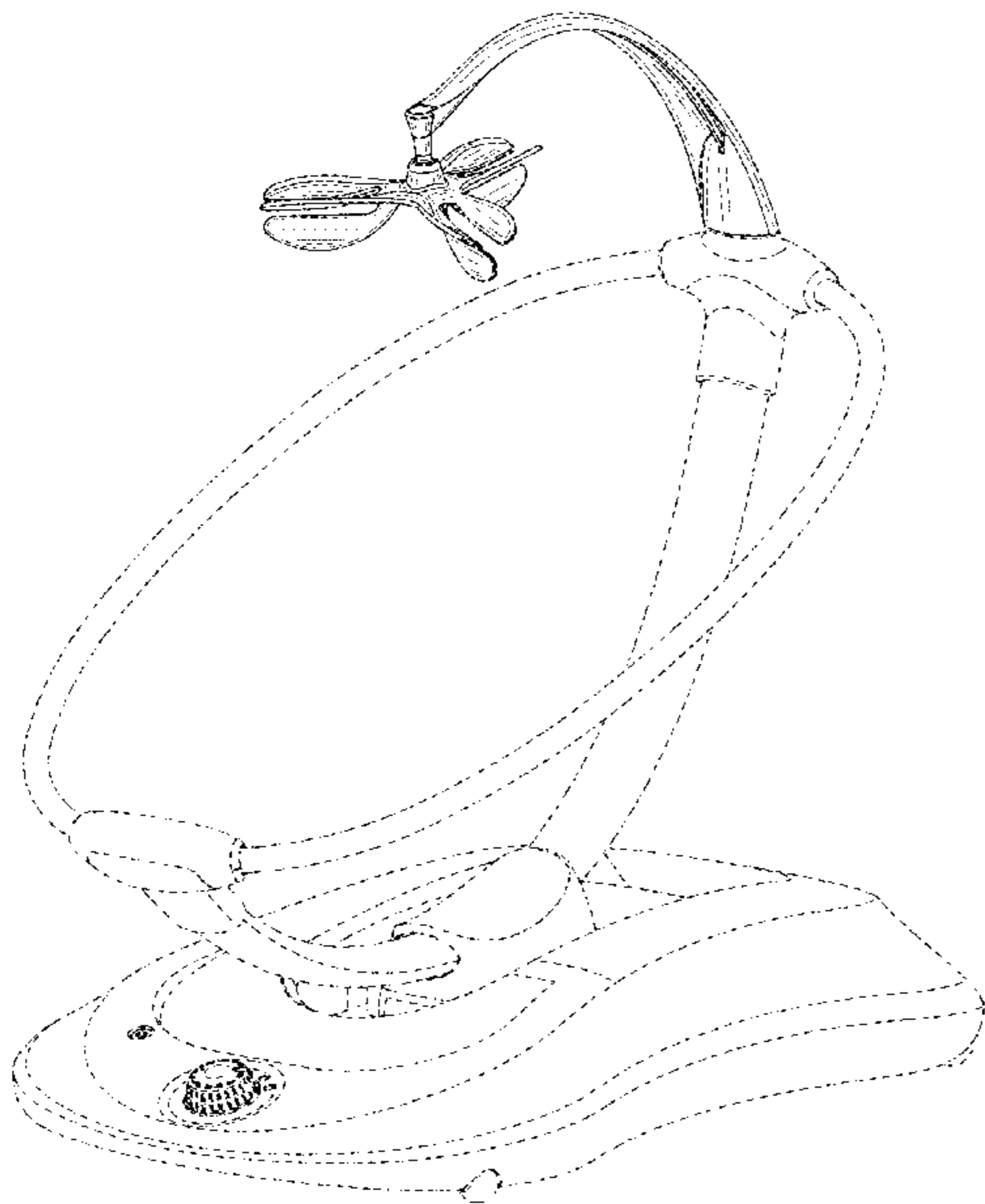
FIG. 6 is a right side plan view thereof;

FIG. 7 is a top plan view thereof; and,

FIG. 8 is a bottom plan view thereof.

The broken lines showing the infant seat and lower end portion of the toy bar are for illustrative purposes only and form no part of the claimed design.

**1 Claim, 7 Drawing Sheets**



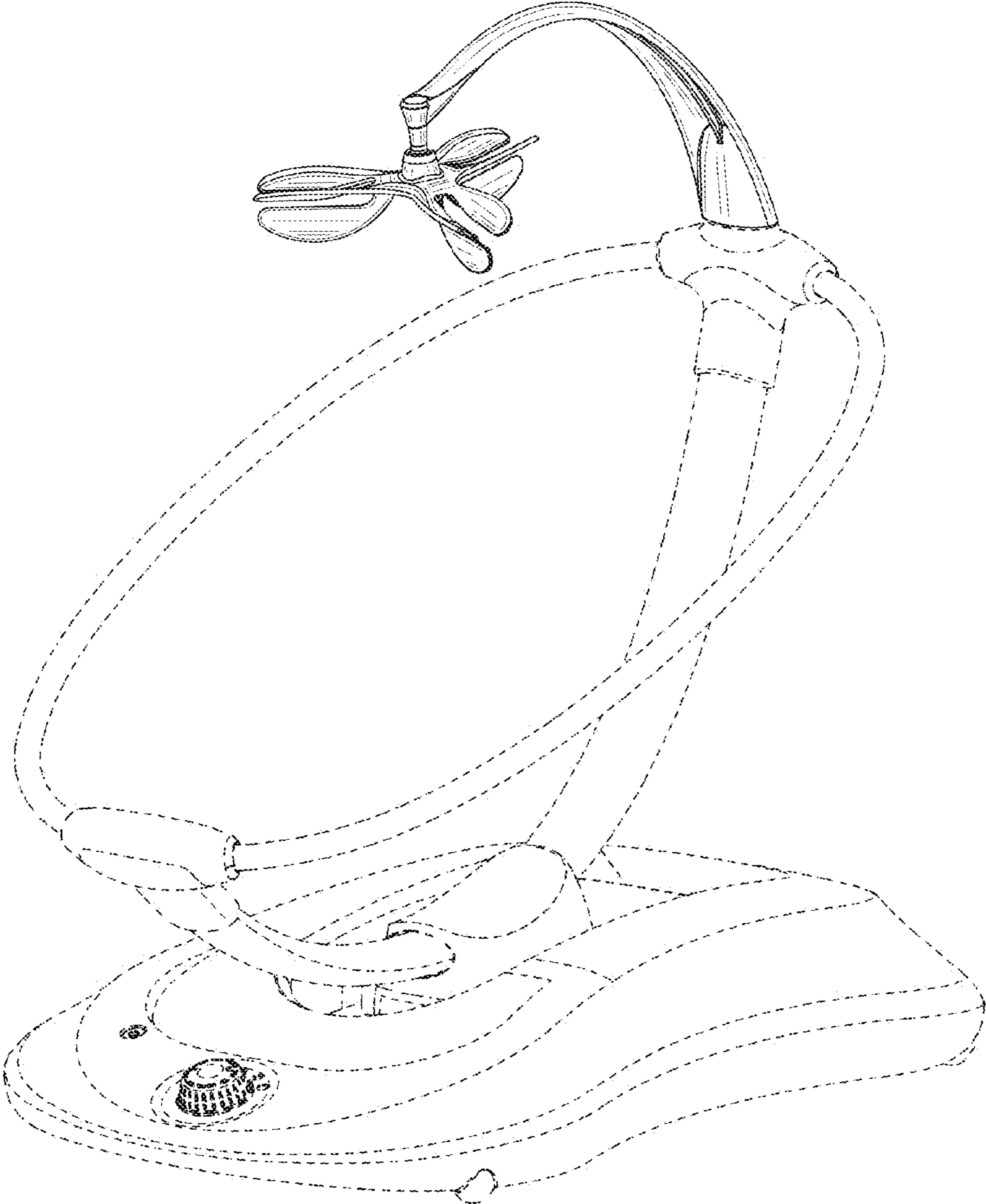


FIG. 1

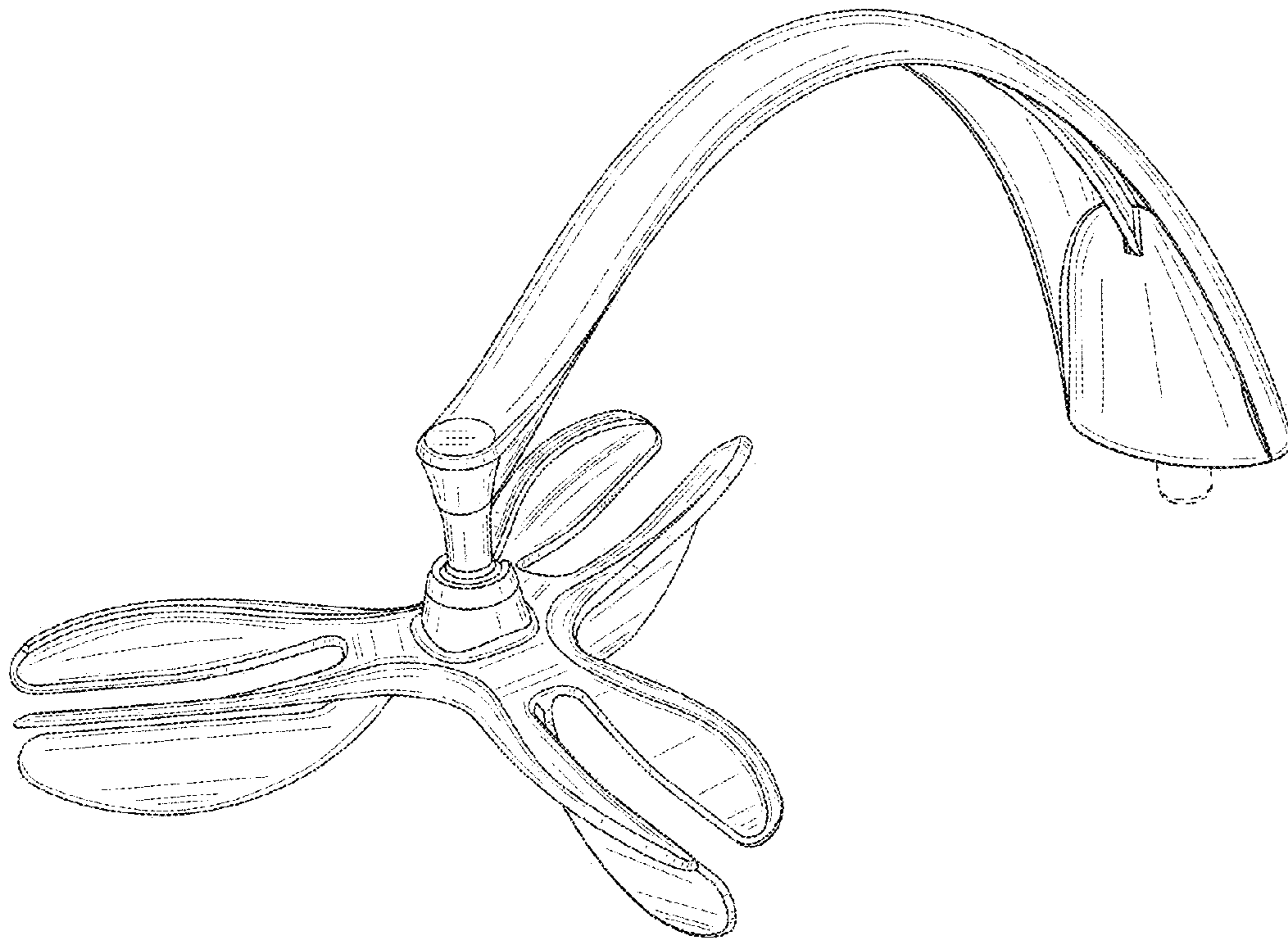


FIG. 2

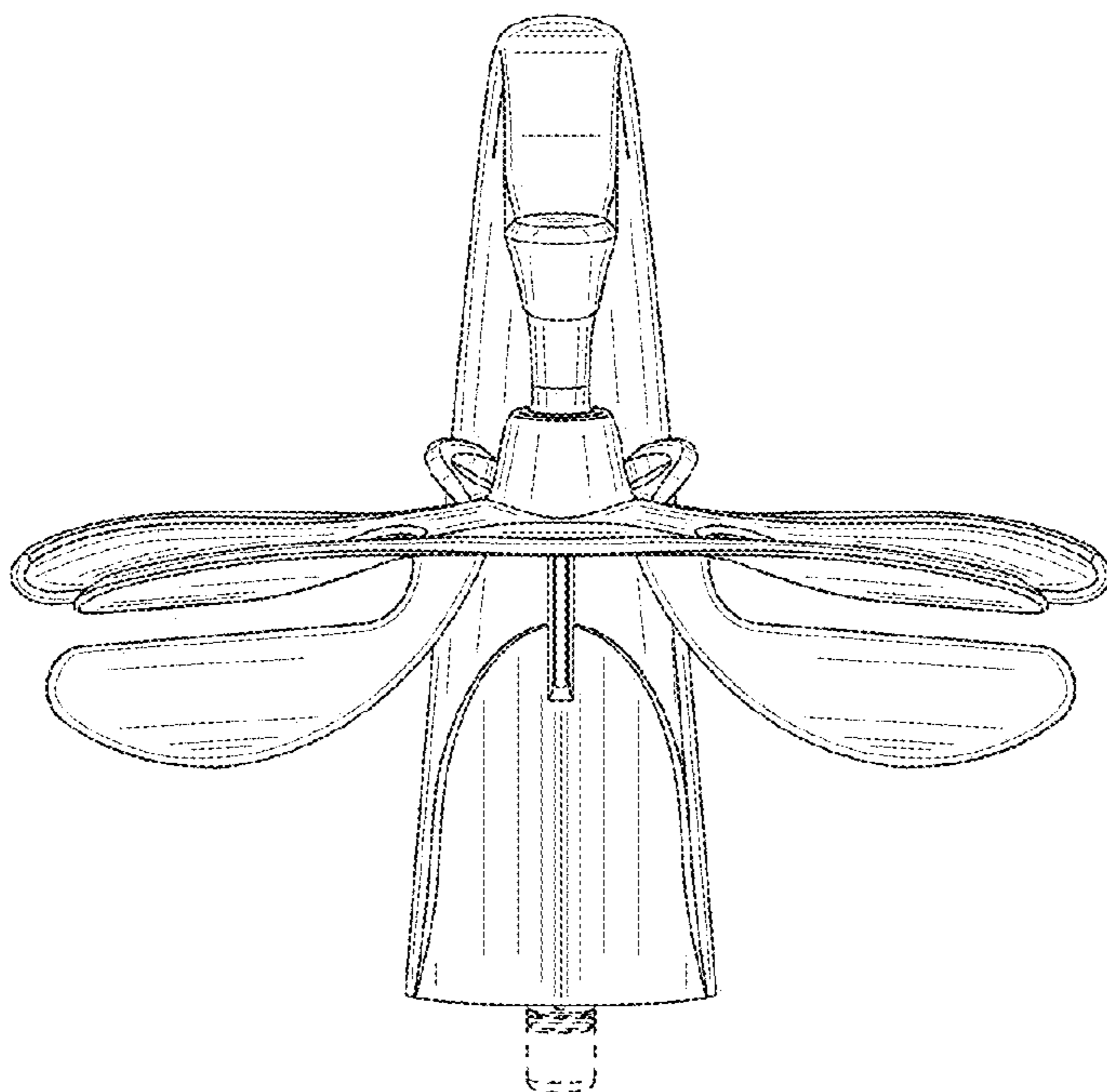


FIG. 3

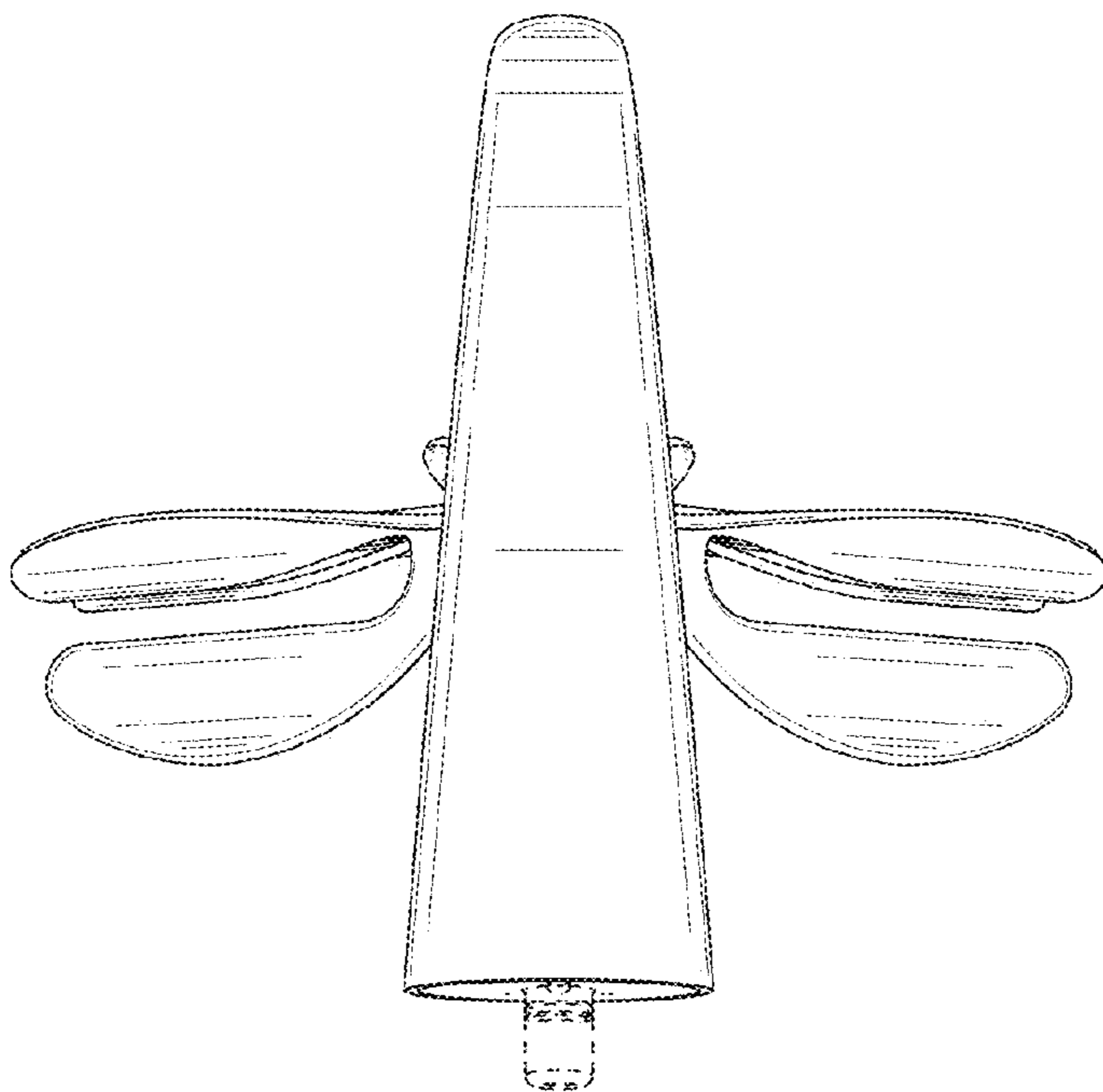


FIG. 4

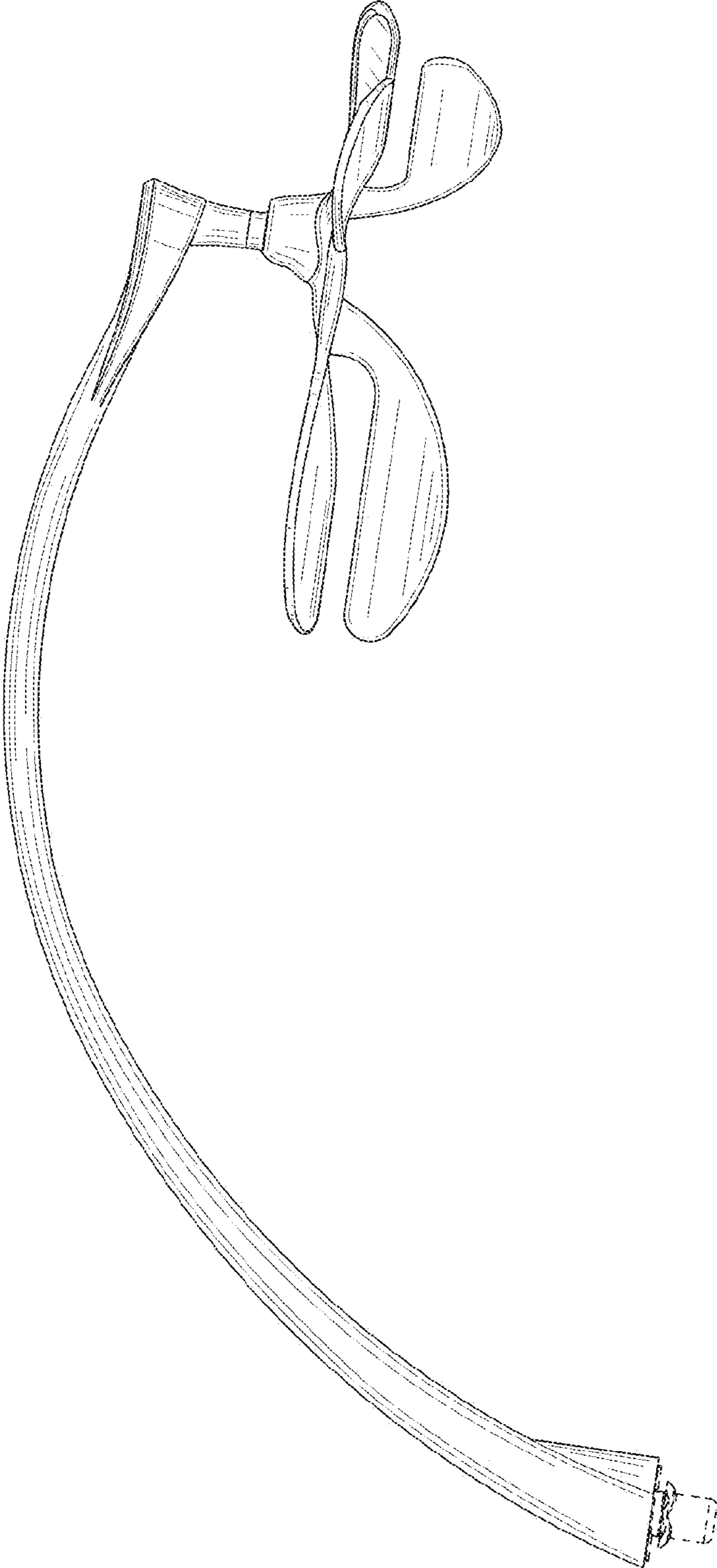


FIG. 5

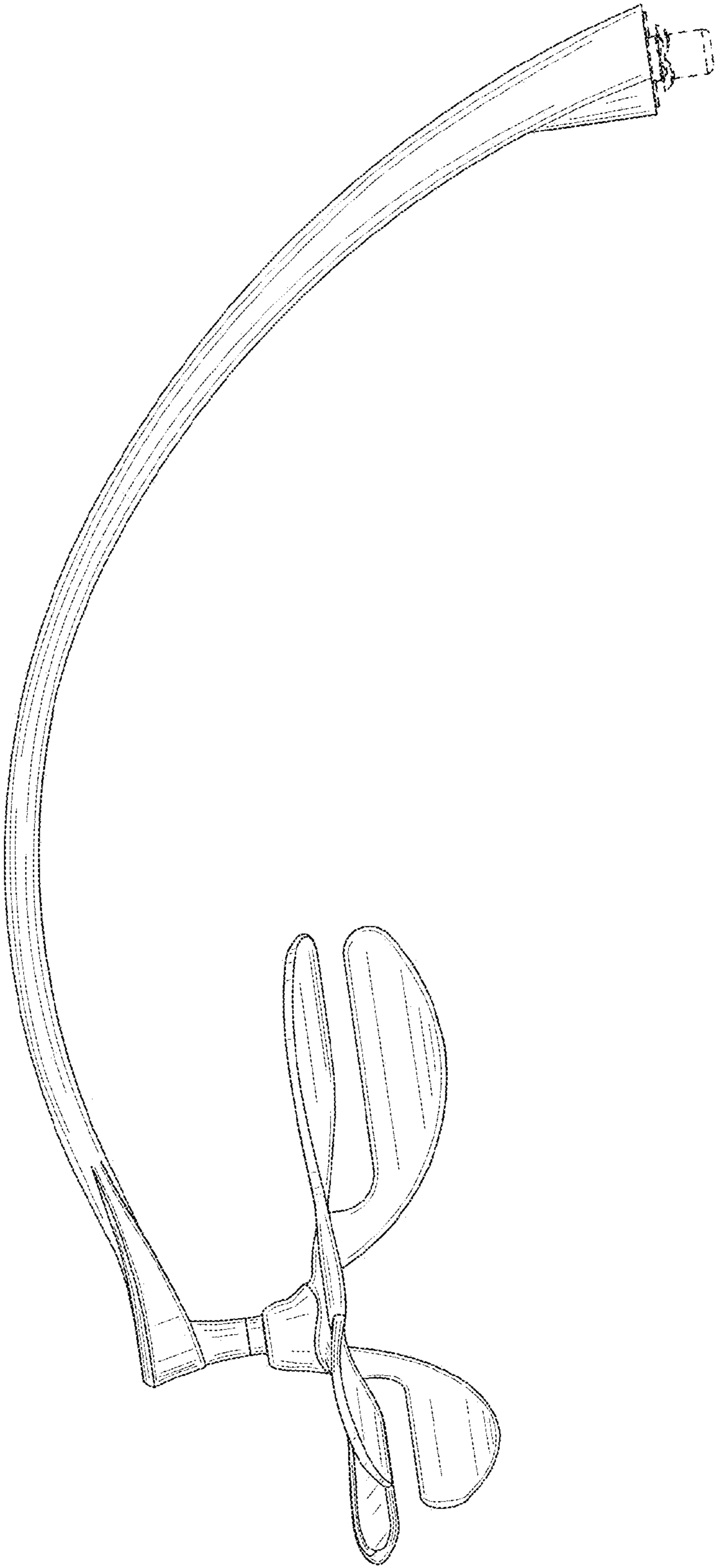


FIG. 6

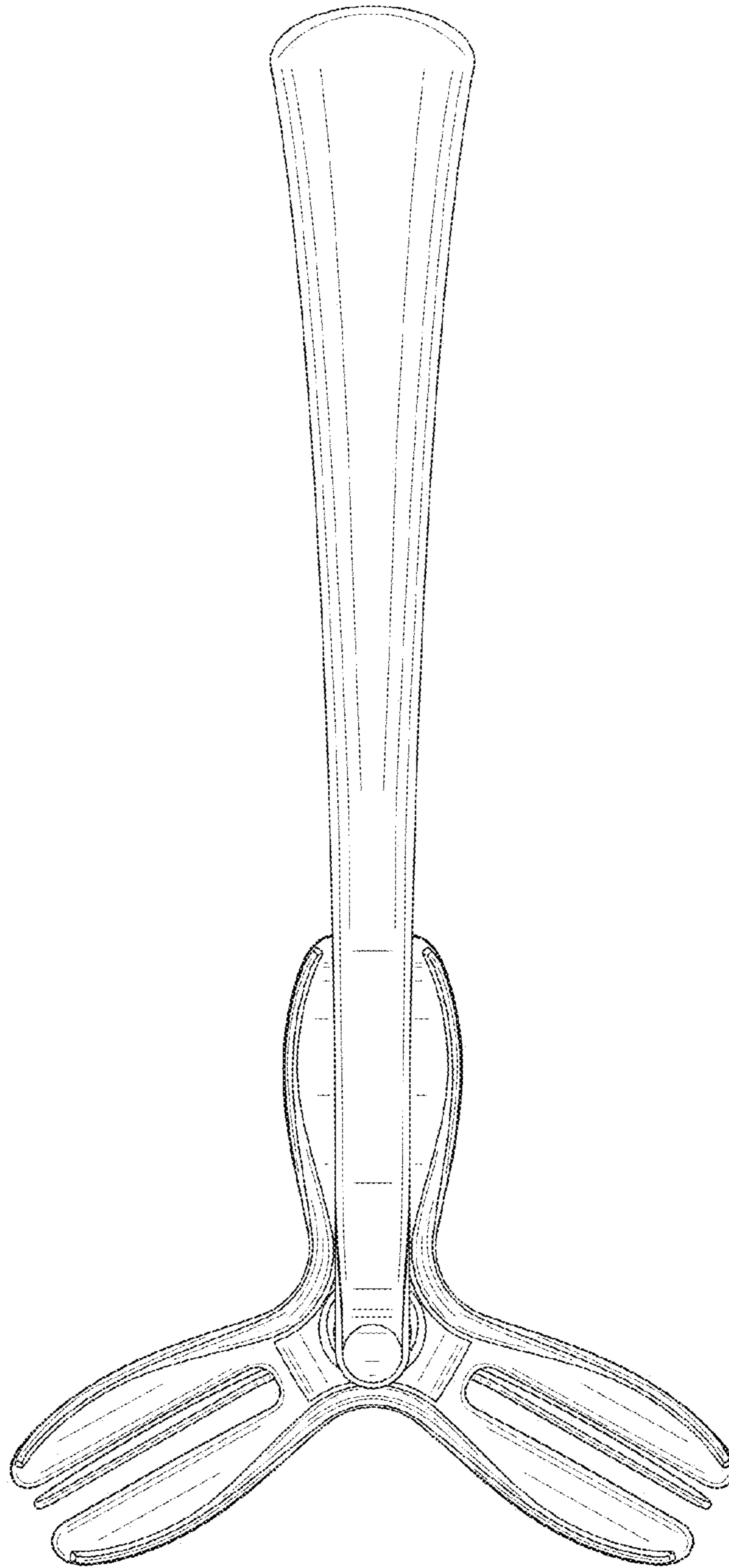


FIG. 7

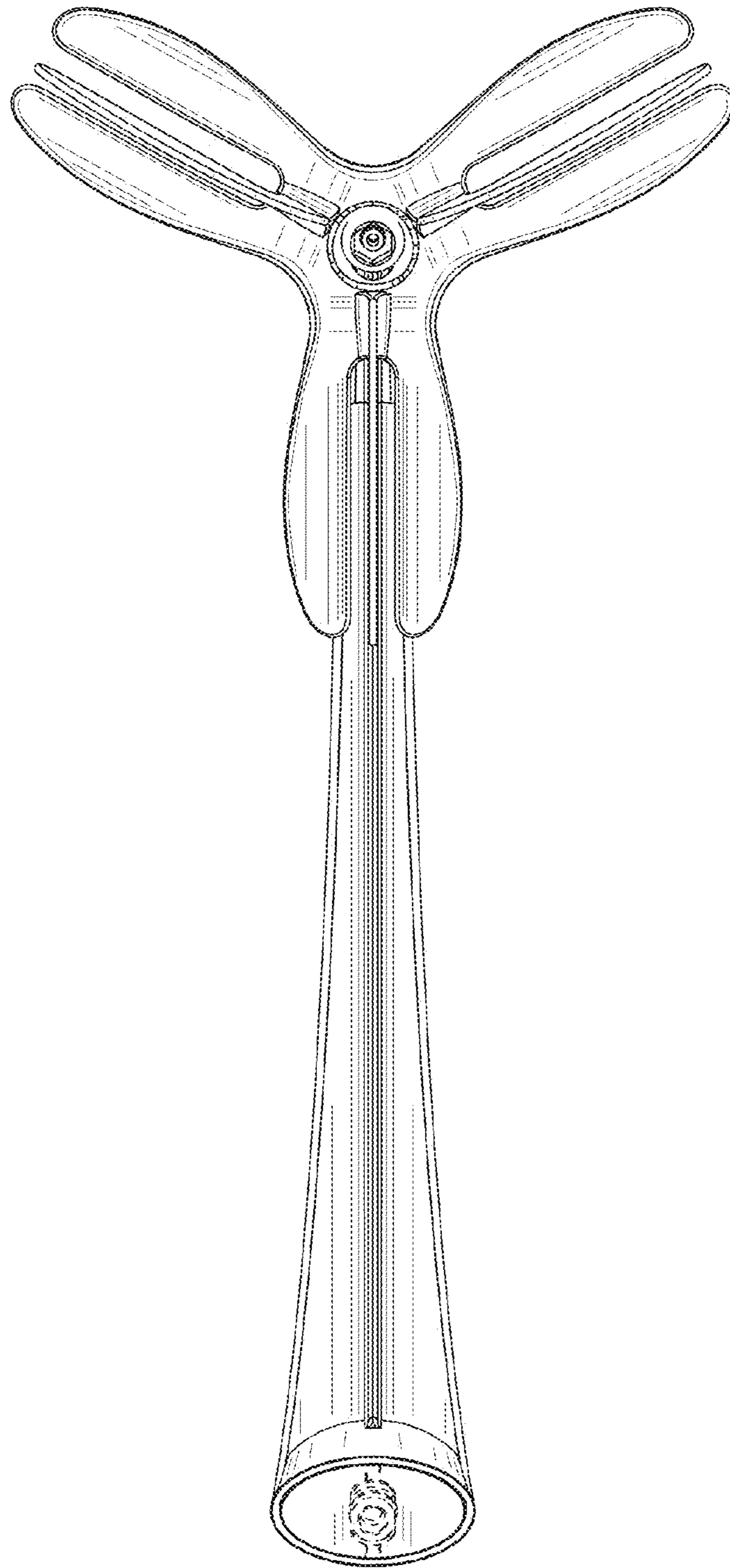


FIG. 8