



US00D730992S

(12) **United States Design Patent**  
**van Linden**

(10) **Patent No.:** **US D730,992 S**

(45) **Date of Patent:** **\*\* Jun. 2, 2015**

(54) **COMBINED ELECTRONIC GAMING  
MACHINE AND GAME TERMINAL**

(71) Applicant: **GAMING SUPPORT B.V.**, Rotterdam  
(NL)

(72) Inventor: **Lucien Maurice van Linden**, Maasland  
(NL)

(73) Assignee: **GAMING SUPPORT B.V.**, Rotterdam  
(NL)

(\*\*) Term: **14 Years**

(21) Appl. No.: **29/473,075**

(22) Filed: **Nov. 18, 2013**

(51) **LOC (10) Cl.** ..... **21-03**

(52) **U.S. Cl.**  
USPC ..... **D21/369**

(58) **Field of Classification Search**  
USPC ..... D21/324-329, 369-370; 273/146;  
463/17, 20, 46-47; D14/302, 305-306;  
715/781, 786  
CPC ..... A63F 59/04  
See application file for complete search history.

(56) **References Cited**

U.S. PATENT DOCUMENTS

D473,269 S *	4/2003	Tsuda .....	D21/329
D481,078 S *	10/2003	Stephan .....	D21/369
D591,799 S *	5/2009	Yang .....	D21/369
D637,238 S *	5/2011	O'Keene et al. ....	D21/370
D649,604 S *	11/2011	Ortiz .....	D21/370
D684,637 S *	6/2013	Shelley et al. ....	D21/370

\* cited by examiner

*Primary Examiner* — Sandra Morris

(74) *Attorney, Agent, or Firm* — Howard & Howard  
Attorneys PLLC

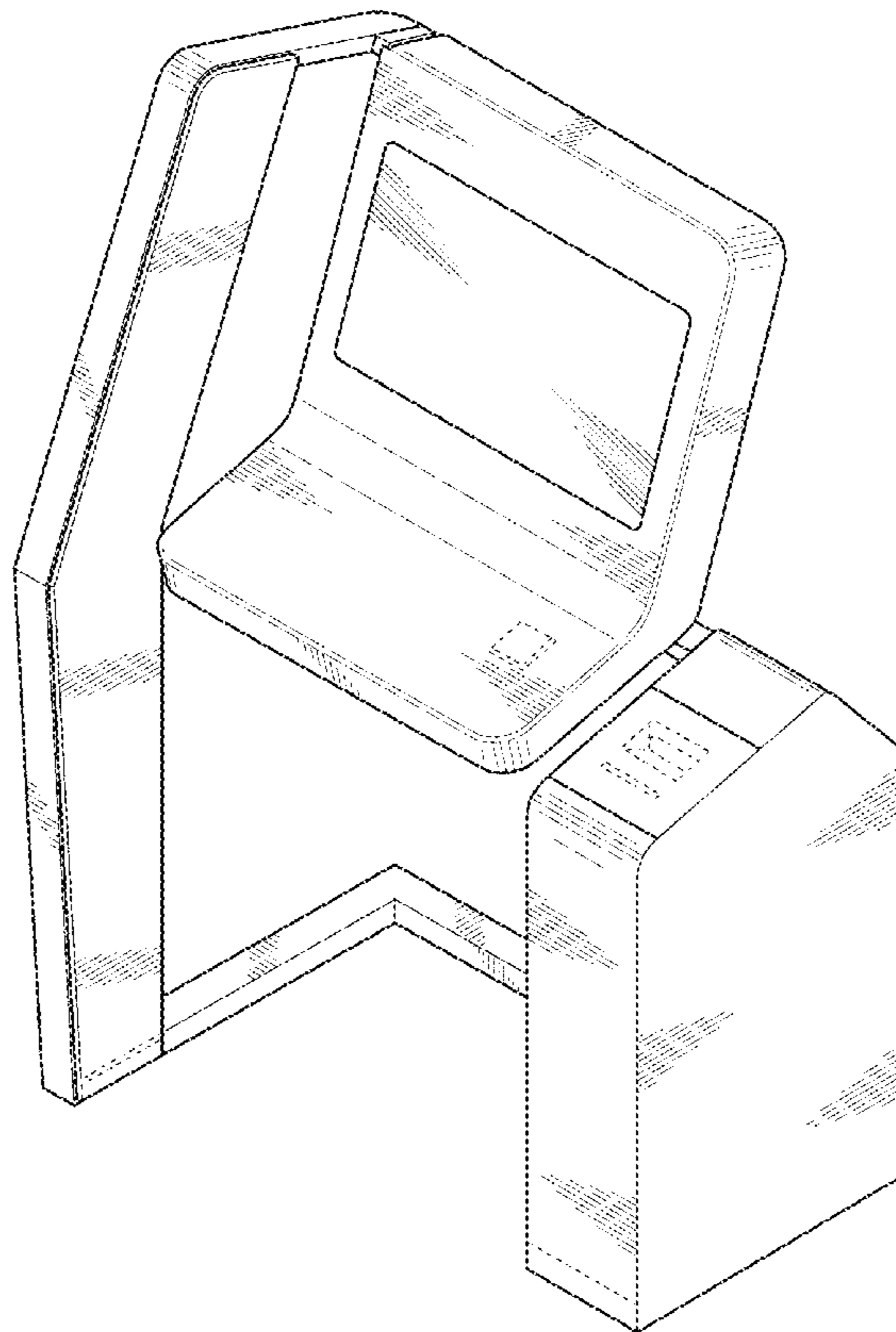
(57) **CLAIM**

The ornamental design for a combined electronic gaming  
machine and game terminal, as shown and described.

**DESCRIPTION**

FIG. 1 is a perspective view of the electronic gaming machine  
and game terminal;  
FIG. 2 is a rear perspective view thereof;  
FIG. 3 is a front view thereof;  
FIG. 4 is a rear view thereof;  
FIG. 5 is a right side view thereof;  
FIG. 6 is a left side view thereof;  
FIG. 7 is a top view thereof; and,  
FIG. 8 is a bottom view thereof.  
The broken line showing is for illustrative purposes only, and  
forms no part of the claimed design.

**1 Claim, 7 Drawing Sheets**



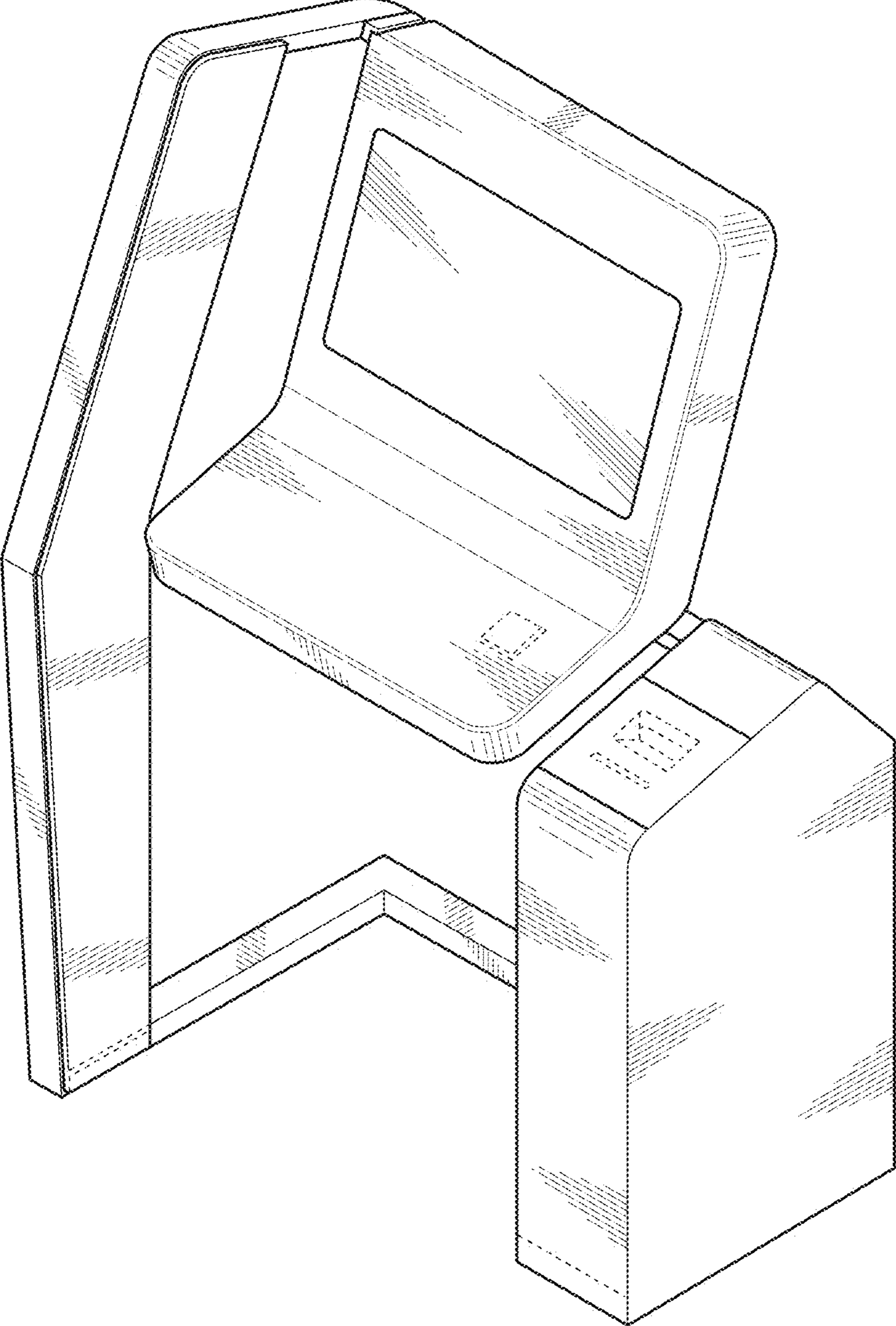
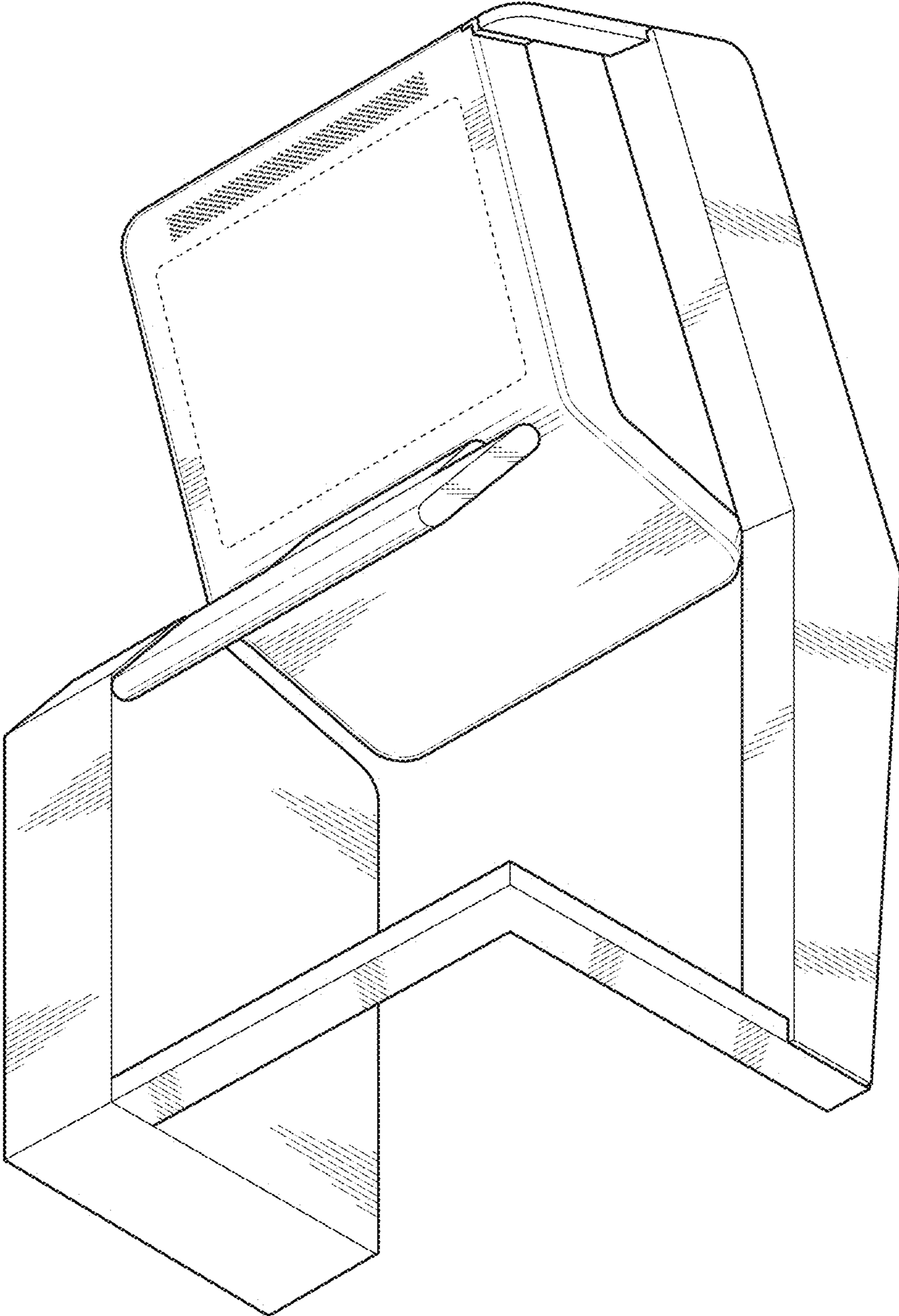


FIG. 1



**FIG. 2**

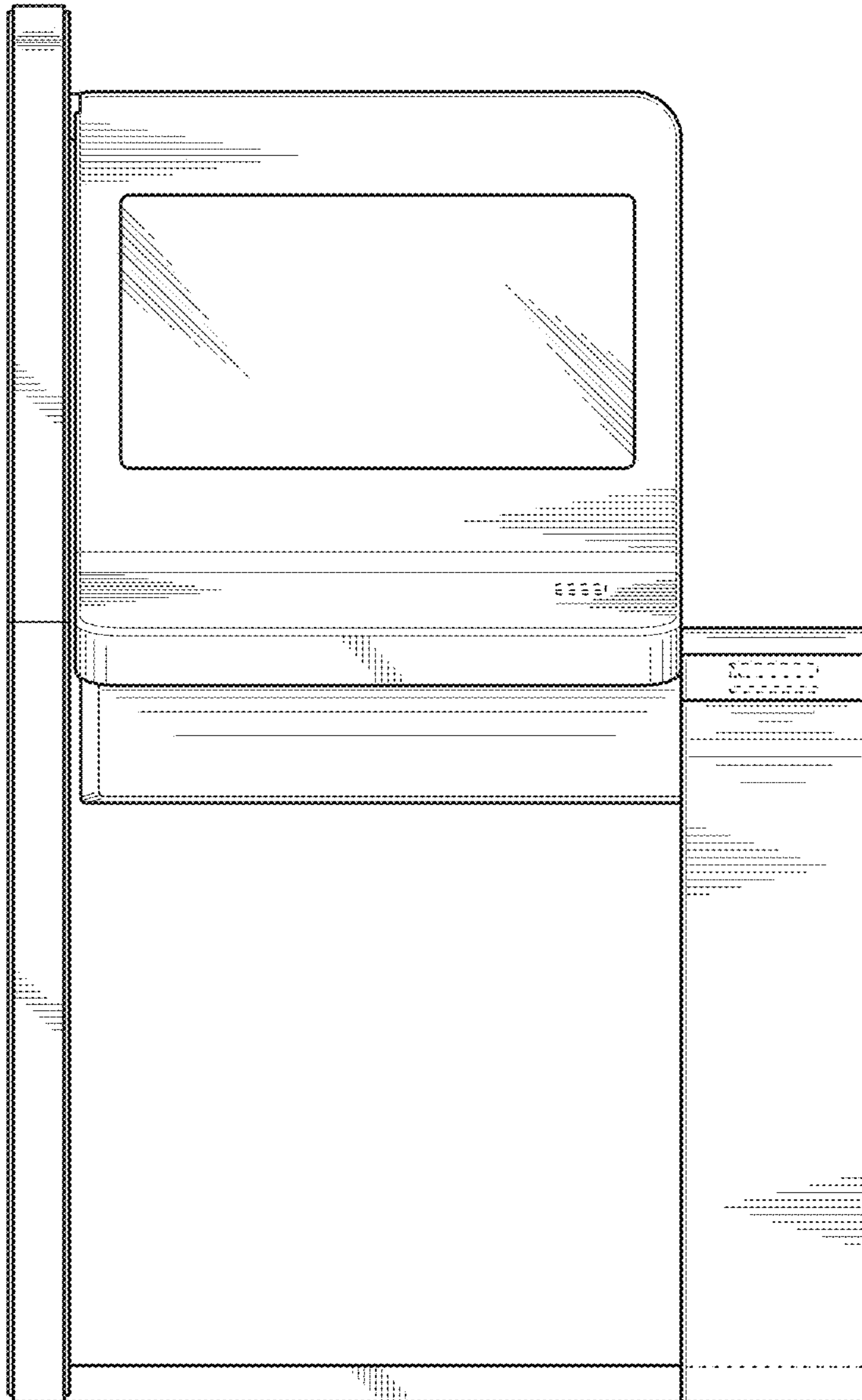


FIG. 3

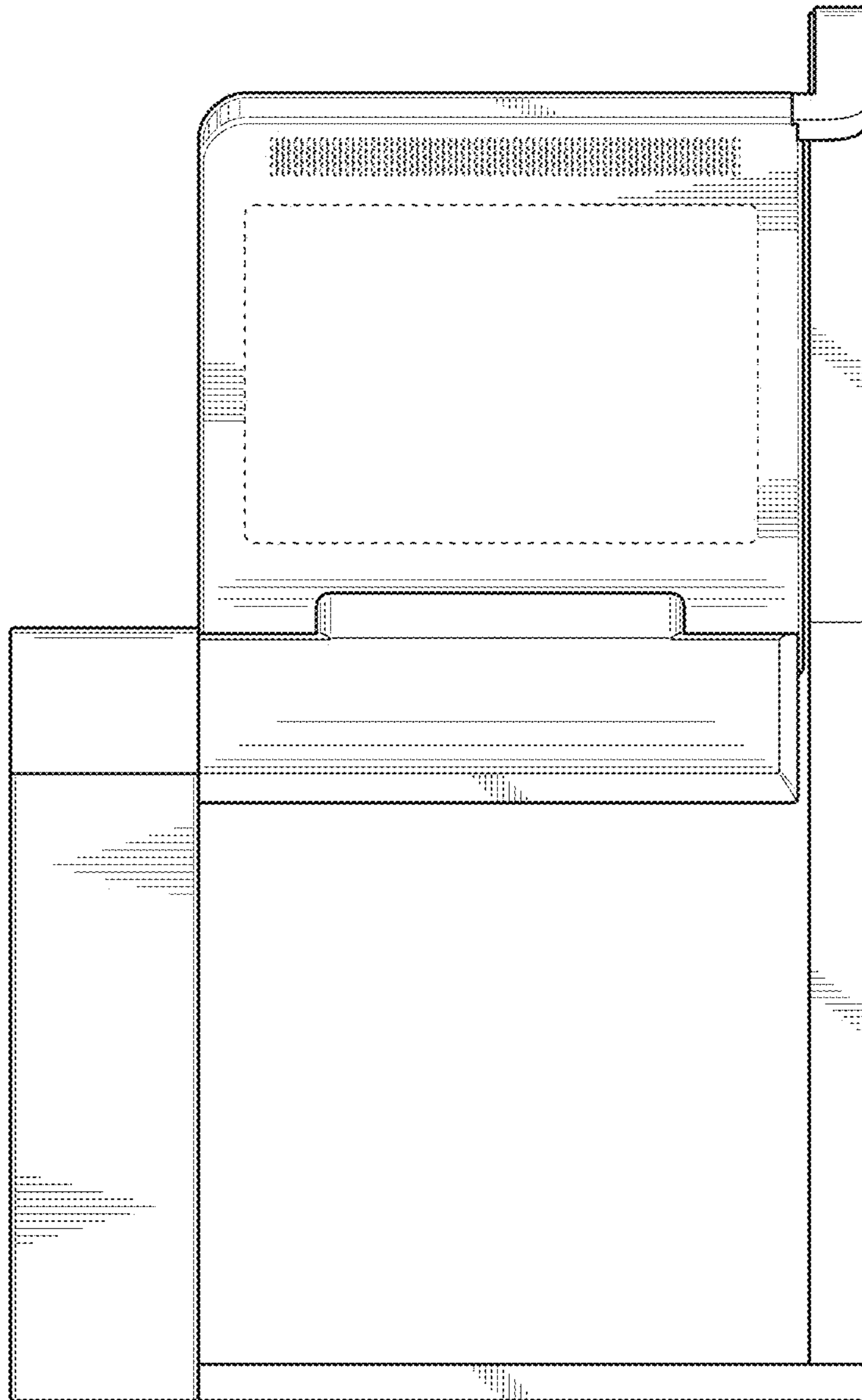
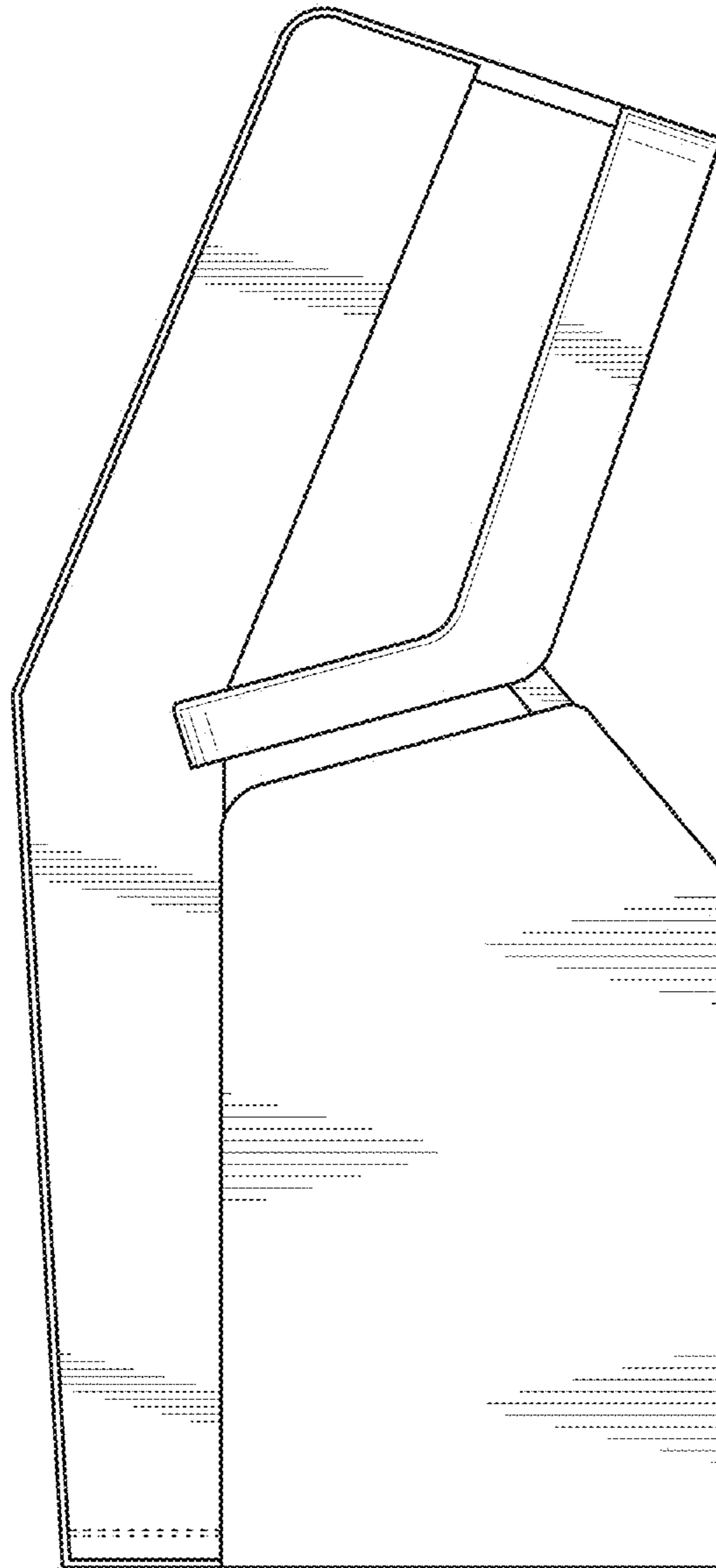


FIG. 4



**FIG. 5**

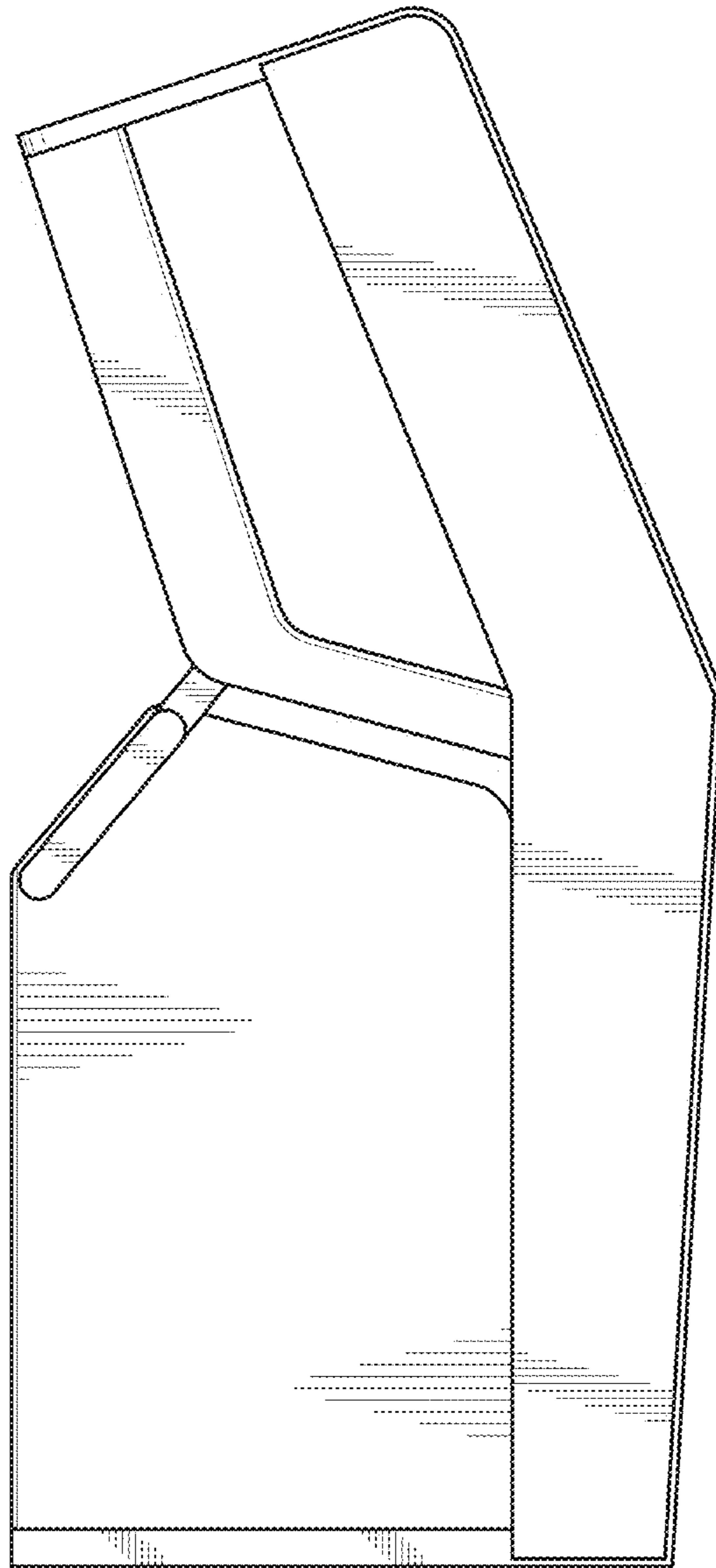


FIG. 6

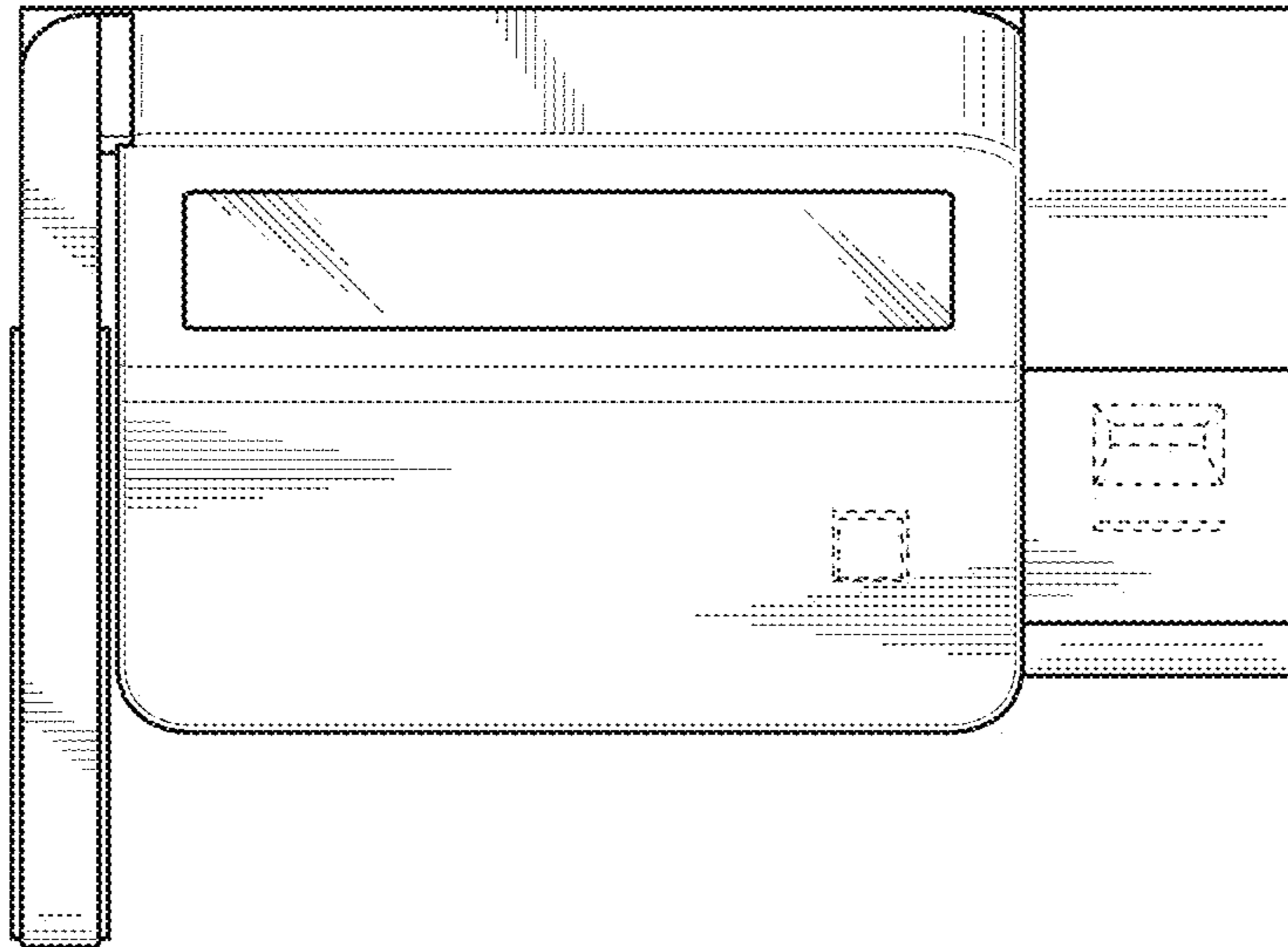


FIG. 7

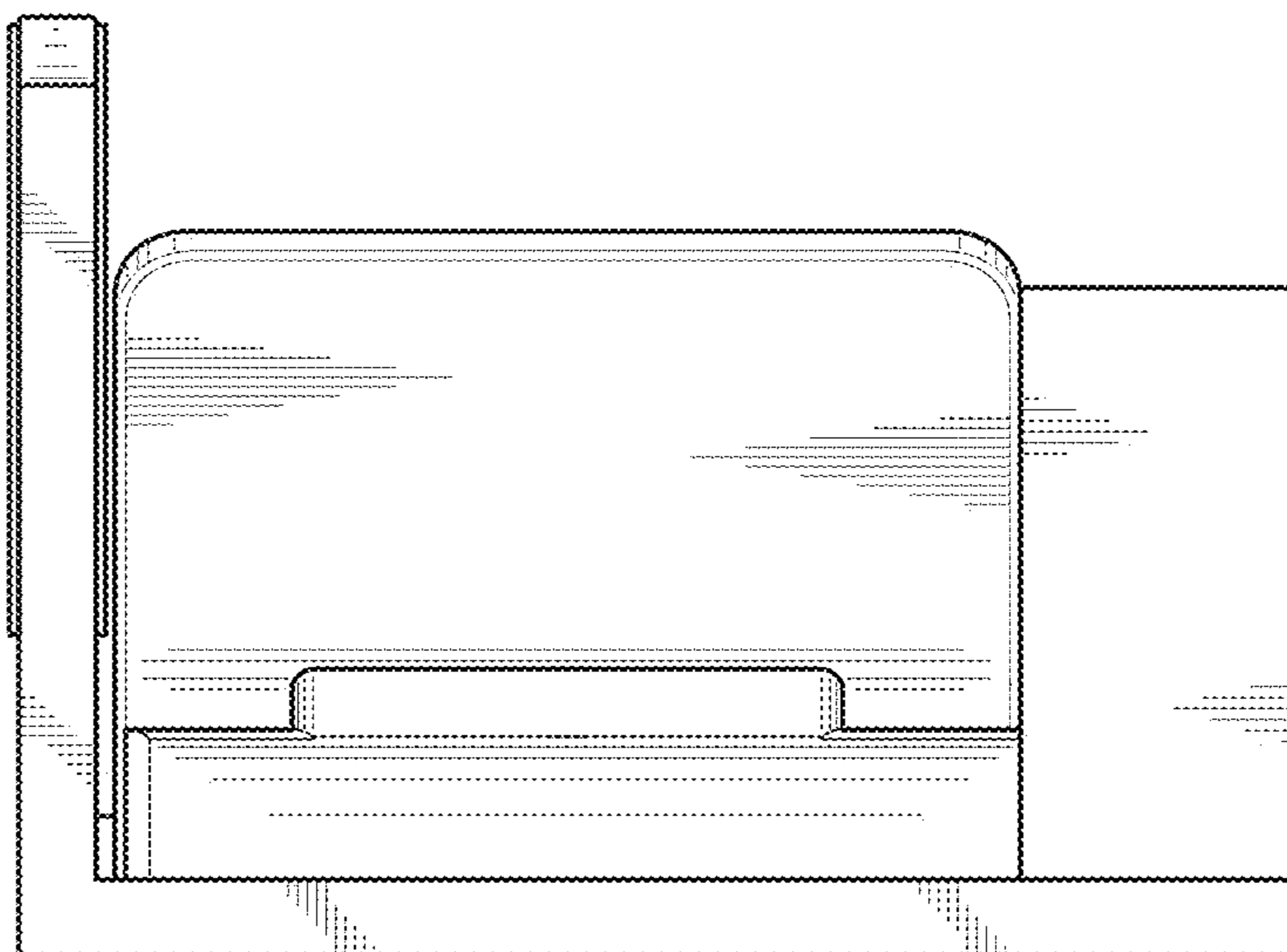


FIG. 8