



US00D730990S

(12) **United States Design Patent**  
**Stanton**

(10) **Patent No.:** **US D730,990 S**  
(45) **Date of Patent:** **\*\* Jun. 2, 2015**

(54) **MEDICATION REMINDER LABEL**

(71) Applicant: **Andrew Stanton**, Collinsville, CT (US)

(72) Inventor: **Andrew Stanton**, Collinsville, CT (US)

(\*\*) Term: **14 Years**

(21) Appl. No.: **29/454,830**

(22) Filed: **May 14, 2013**

(51) **LOC (10) Cl.** ..... **20-03**

(52) **U.S. Cl.**  
USPC ..... **D20/18; D20/27**

(58) **Field of Classification Search**  
USPC ..... D20/18, 22, 27-28; D9/722; D24/231;  
116/321, 225, 283, 308; 283/81, 94,  
283/105; 604/189, 404; D10/46, 109.1,  
D10/109.2, 124; 206/459.1, 534; 40/107,  
40/310, 491, 638; 220/212, 739; D3/203.2  
See application file for complete search history.

(56) **References Cited**

**U.S. PATENT DOCUMENTS**

D166,245	S *	3/1952	Dickey	.....	D10/124
5,056,827	A *	10/1991	Sasso	.....	283/105
5,216,975	A *	6/1993	Bartholomew	.....	116/324
5,979,698	A *	11/1999	Deal	.....	116/324
6,360,683	B1 *	3/2002	Nakamura	.....	116/321
6,545,592	B2 *	4/2003	Weiner	.....	220/212
6,581,973	B2 *	6/2003	Levine et al.	.....	283/81
6,599,481	B2 *	7/2003	Stevens et al.	.....	283/105
6,637,775	B1 *	10/2003	Bernier et al.	.....	283/94
7,322,613	B2 *	1/2008	Penuela et al.	.....	283/105
7,357,422	B2 *	4/2008	Seidl	.....	283/81
7,614,358	B2 *	11/2009	Duer	.....	116/324

D618,904	S *	7/2010	Leifeld et al.	.....	D3/203.2
7,918,830	B2 *	4/2011	Langan et al.	.....	604/189
7,921,583	B2 *	4/2011	Londino	.....	40/310
D657,548	S *	4/2012	Leifeld et al.	.....	D3/203.2

\* cited by examiner

*Primary Examiner* — Catheri Oliver-Garcia

(74) *Attorney, Agent, or Firm* — The IP Law Firm of Guy Levi, LLC; Guy Levi

(57) **CLAIM**

I claim, the ornamental design for a medication reminder label, as shown and described.

**DESCRIPTION**

FIG. 1 shows a front perspective view of a first embodiment of the medication reminder label.

FIG. 2 shows a front perspective view of a second embodiment of the medication reminder label.

FIG. 3 shows a right side view of a second embodiment of the medication reminder label.

FIG. 4 shows a left side view of the second embodiment of the medication reminder label.

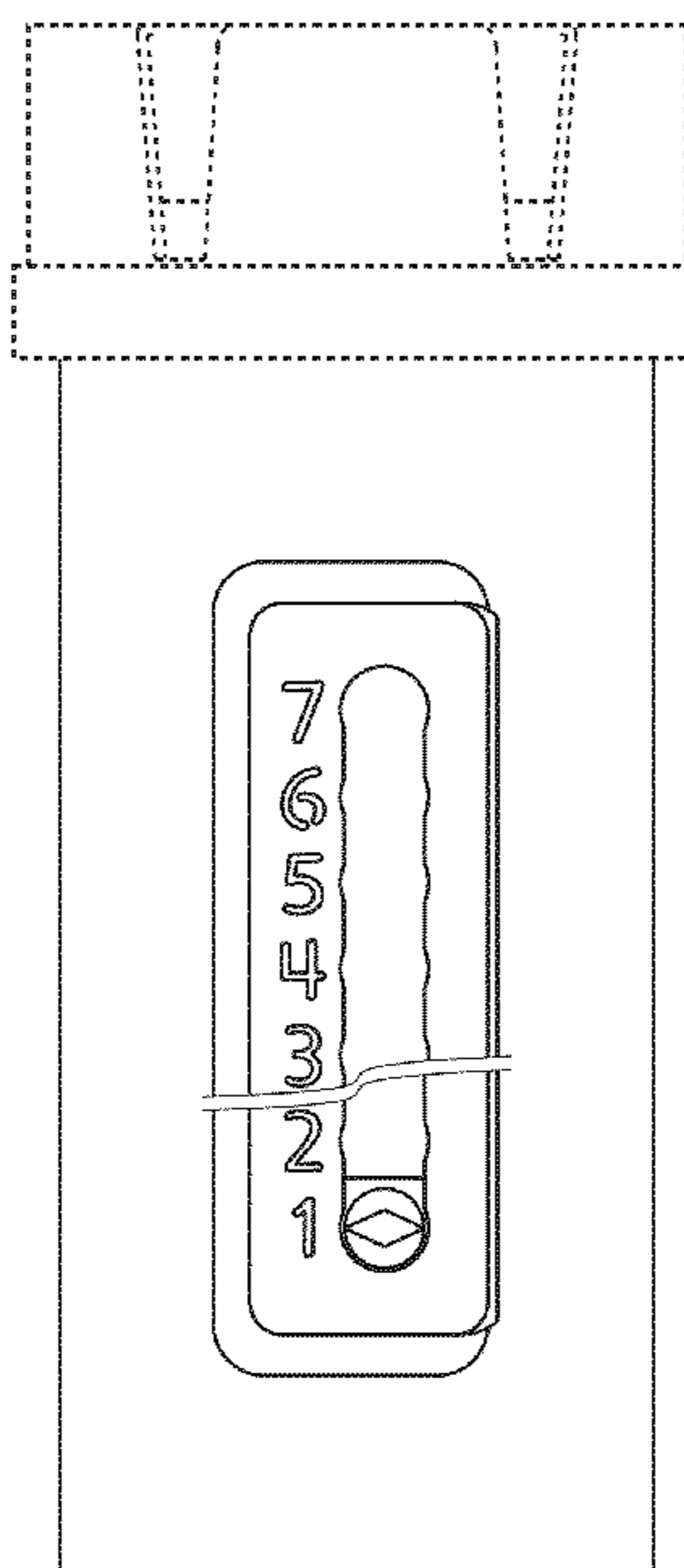
FIG. 5 shows a front view of the second embodiment of the medication reminder label; and,

FIG. 6 shows a bottom view of the second embodiment of the medication reminder label.

The dashed lines shown in FIGS. 1-6 (e.g., cap), indicate environmental structures and as such, do not form a part of the claimed design.

The medication reminder label in FIGS. 1-5 is shown with a symbolic break in its length. The appearance of any portion of the article between the break lines forms no part of the claimed design.

**1 Claim, 3 Drawing Sheets**



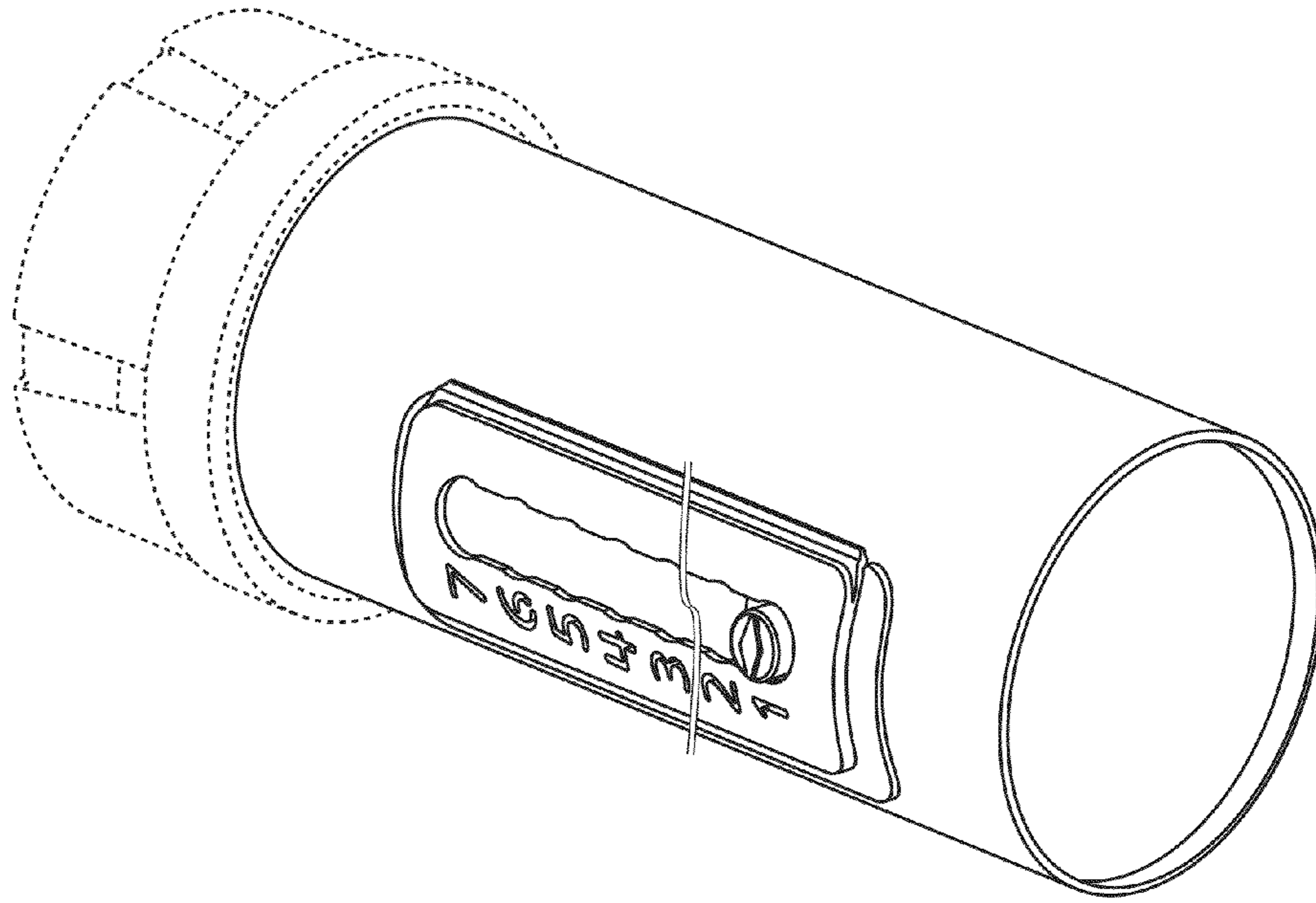


FIGURE 2

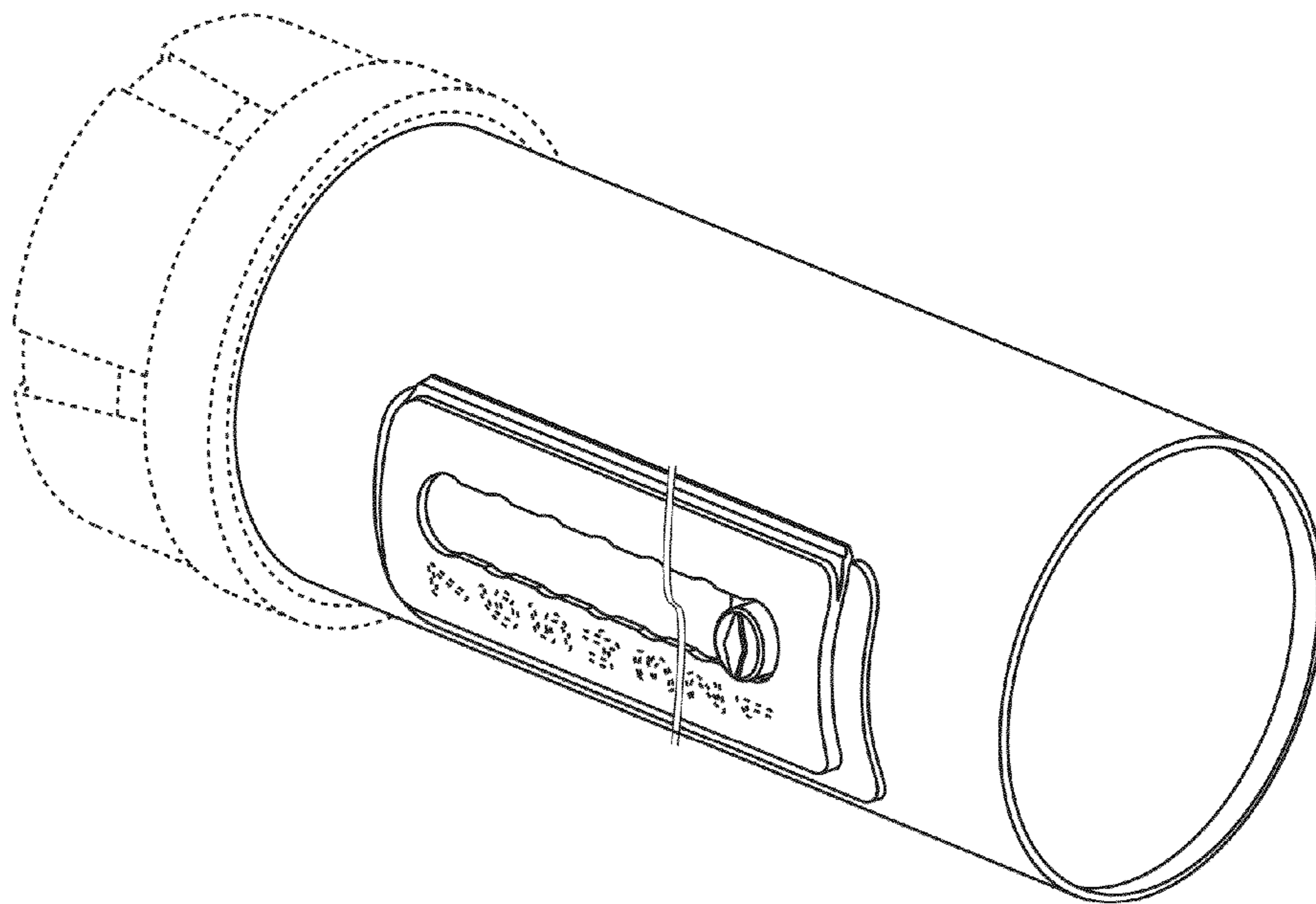


FIGURE 1

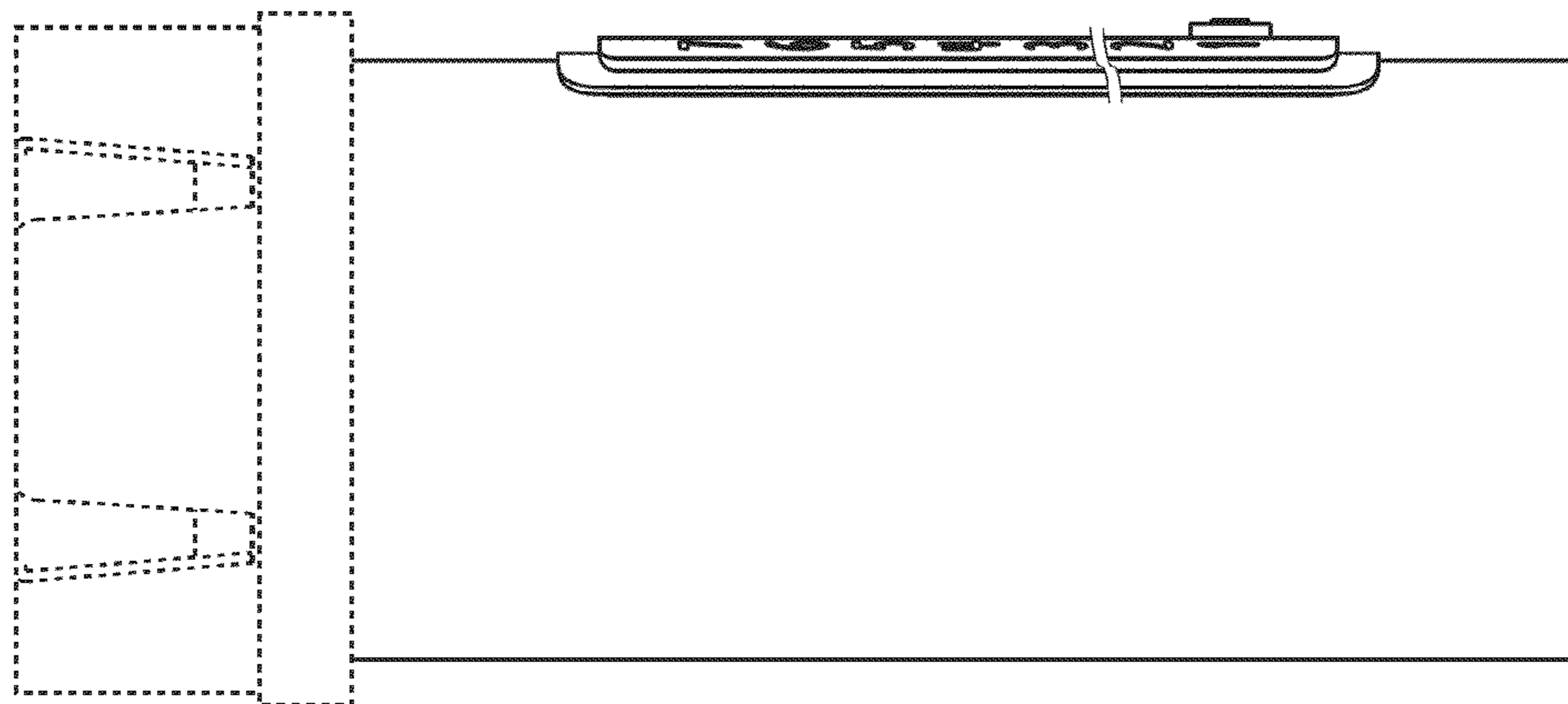


FIGURE 4

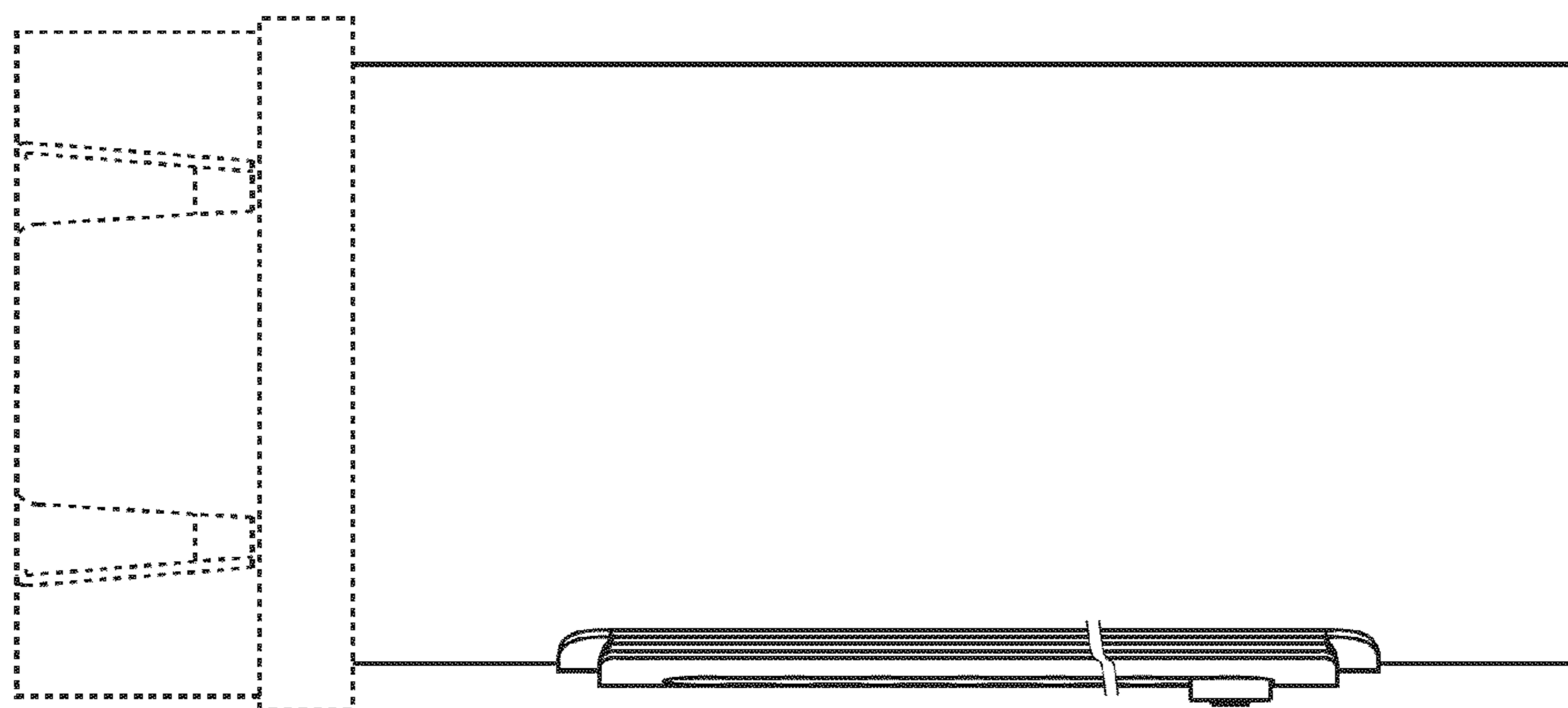


FIGURE 3

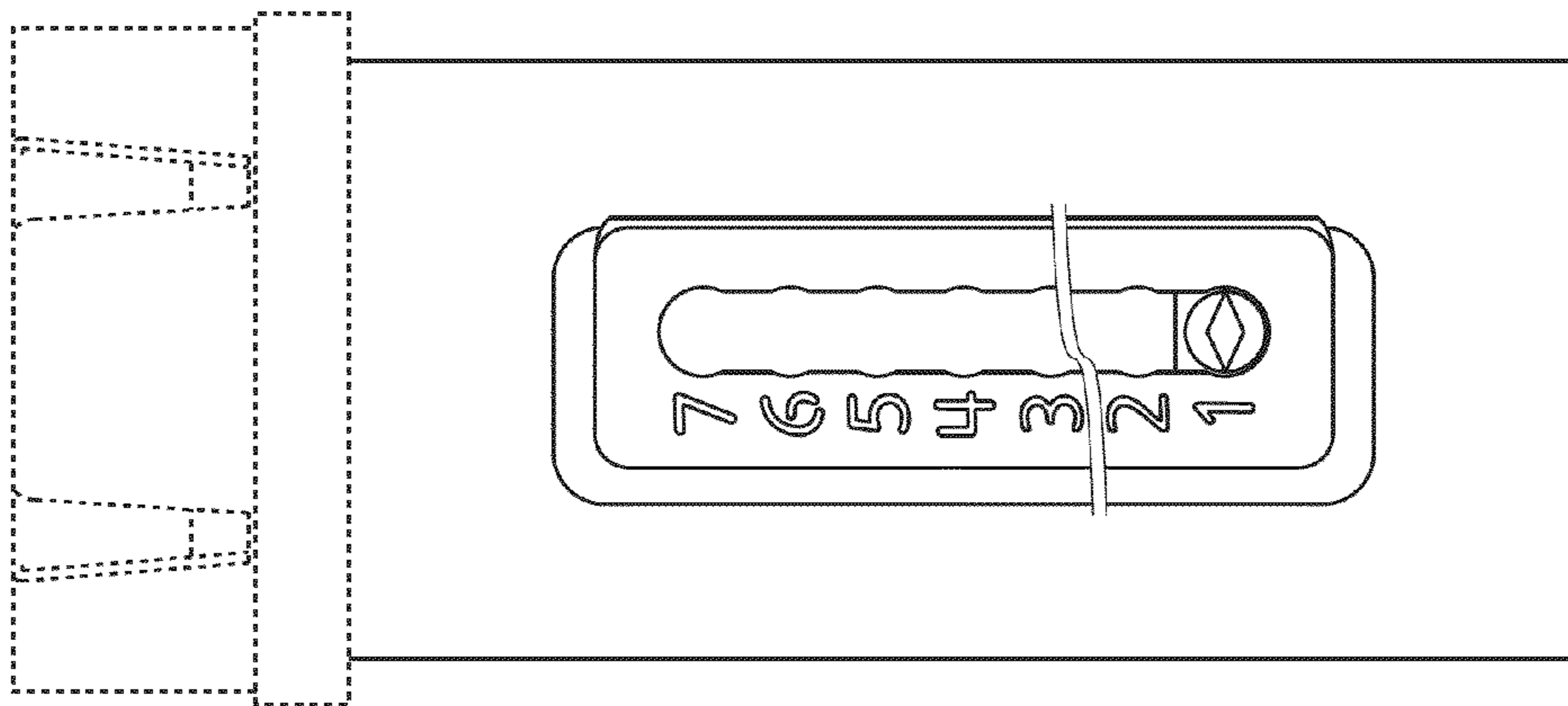


FIGURE 5

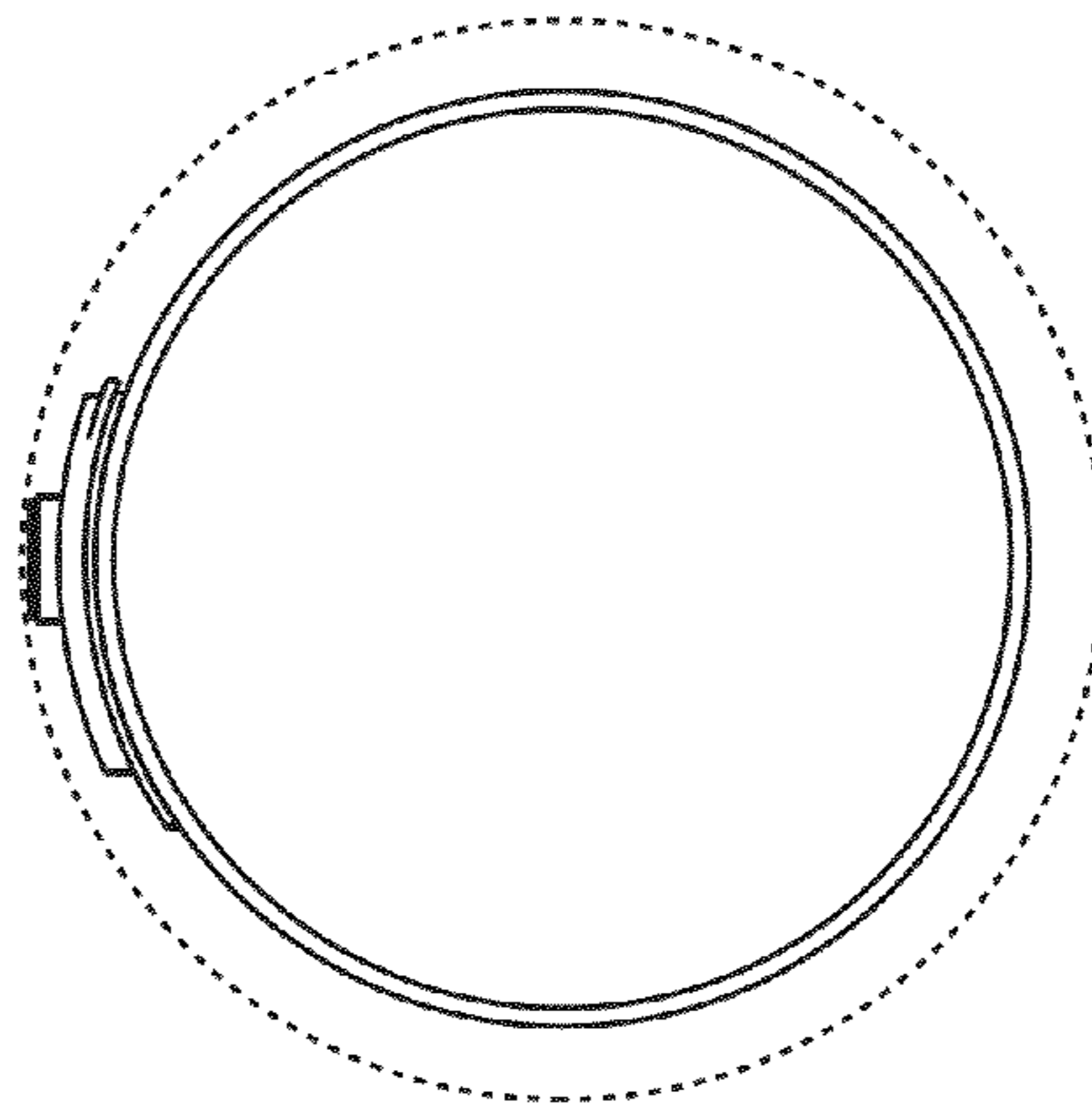


FIGURE 6