

US00D730986S

(12) **United States Design Patent**
Moreau et al.

(10) **Patent No.:** **US D730,986 S**
(45) **Date of Patent:** **** Jun. 2, 2015**

- (54) **LANYARD SLIDER WITH DUAL PEN HOLDERS**
- (71) Applicant: **Ty-Flot, Inc.**, Manchester, NH (US)
- (72) Inventors: **Darrell A. Moreau**, Manchester, NH (US); **Andre W. Moreau**, Spring Hill, FL (US)
- (73) Assignee: **Ty-Flot, Inc.**, Manchester, NH (US)
- (**) Term: **14 Years**
- (21) Appl. No.: **29/502,352**
- (22) Filed: **Sep. 15, 2014**
- (51) **LOC (10) Cl.** **19-06**
- (52) **U.S. Cl.**
USPC **D19/122; D11/201**
- (58) **Field of Classification Search**
USPC **D19/122, 83, 81; 401/6, 131, 52, 401/99-109, 192, 195, 196; 281/44; 224/576; D8/383; D3/215; D11/87; 24/11 R; D22/117; 463/47.5**
CPC **B43K 29/12; B42D 5/00**
See application file for complete search history.

D414,210 S	9/1999	Davis	
D431,834 S *	10/2000	Petzold	D19/44
6,145,717 A	11/2000	Rebeck	
D437,889 S *	2/2001	Richter	D19/84
6,435,749 B1 *	8/2002	Lecce	401/131
D467,416 S *	12/2002	Kalbach	D3/215
6,511,215 B2 *	1/2003	Hashigaya	362/515
D475,088 S *	5/2003	Cetera	D19/57
D478,630 S *	8/2003	Riggins	D19/83
D519,730 S *	5/2006	de Guillebon	D3/215
D528,163 S *	9/2006	Mandel	D19/84
7,608,782 B2	10/2009	Hill	
D617,382 S	6/2010	Guirlinger	
D632,812 S *	2/2011	Matsumoto et al.	D26/28
D640,743 S	6/2011	Guirlinger	
D641,414 S	7/2011	Guirlinger	
D665,449 S	8/2012	Guirlinger	
D667,749 S *	9/2012	Case et al.	D11/3
D679,175 S *	4/2013	Moreau et al.	D8/383
D717,977 S *	11/2014	Platto et al.	D26/28

(Continued)

Primary Examiner — Ralf Seifert

(74) *Attorney, Agent, or Firm* — Mesmer & Deleault PLLC

(57) **CLAIM**

An ornamental design for a lanyard slider with dual pen holders, as shown and described.

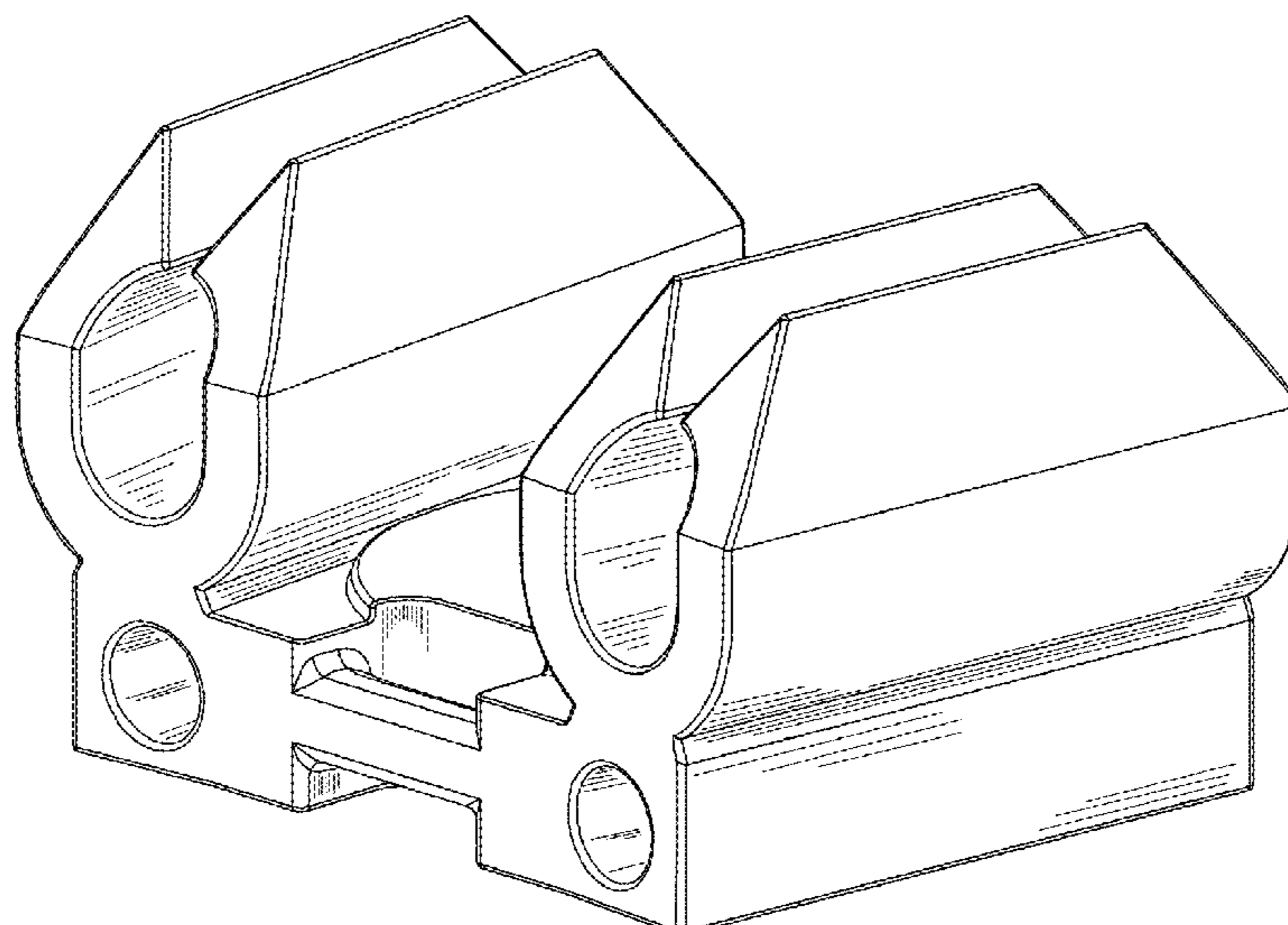
DESCRIPTION

FIG. 1 is a right-side, top, and front perspective view of a lanyard slider with dual pen holders showing our new design; FIG. 2 is a front elevational view thereof; FIG. 3 is a top plan view thereof; FIG. 4 is a bottom plan view thereof; FIG. 5 is a rear elevational view thereof; FIG. 6 is a side elevational view thereof; and, FIG. 7 is right-side, front, and top perspective view thereof showing the lanyard slider with dual pen holders in use with writing implements and a lanyard cord, where the objects shown in broken lines are shown for the purpose of illustrating environment and form no part of the claimed design.

1 Claim, 4 Drawing Sheets

(56) **References Cited**
U.S. PATENT DOCUMENTS

2,219,596 A	10/1940	Lundquist et al.	
D206,896 S *	2/1967	Fiely	D11/2
D241,284 S *	9/1976	Johnston	D2/607
D313,818 S *	1/1991	Moore	D19/83
4,986,683 A *	1/1991	Whitright	401/195
D316,184 S *	4/1991	Mikkelsen	D3/215
5,178,354 A	1/1993	Engvall	
D333,151 S *	2/1993	Hochfeld	D19/36
D338,037 S *	8/1993	Miller et al.	D19/44
D352,959 S *	11/1994	Wolff	D19/36
D370,497 S *	6/1996	Moore et al.	D19/36
5,820,095 A	10/1998	Stone	



US D730,986 S

Page 2

(56)

References Cited

U.S. PATENT DOCUMENTS

D718,479 S	*	11/2014	Lai	D26/28	
D720,400 S	*	12/2014	Featherston	D19/85	* cited by examiner
D724,146 S	*	3/2015	Kennedy	D19/122	
2011/0180681	A1	7/2011	Guirlinger			
2012/0085801	A1	4/2012	Padilla			

FIG. 1

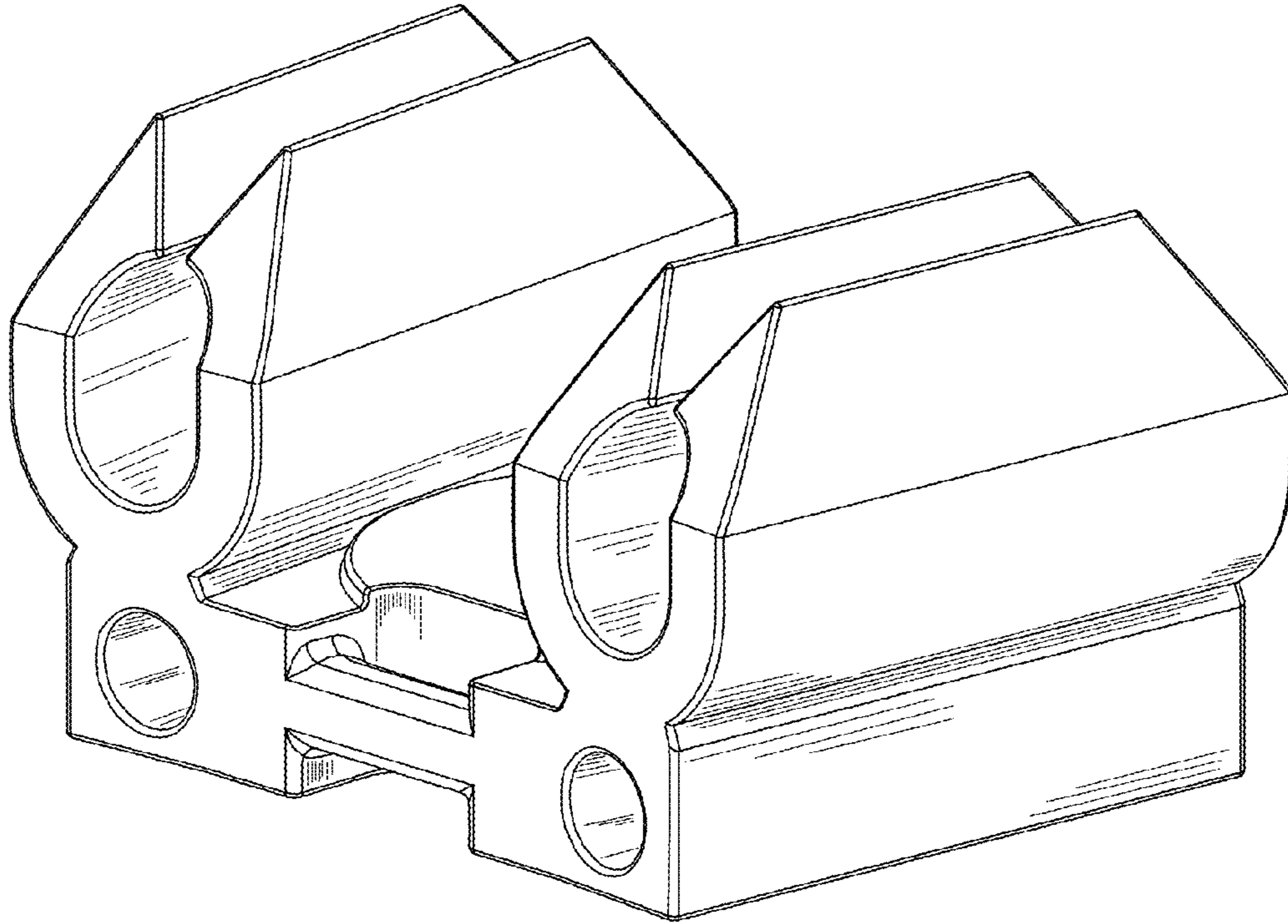


FIG. 2

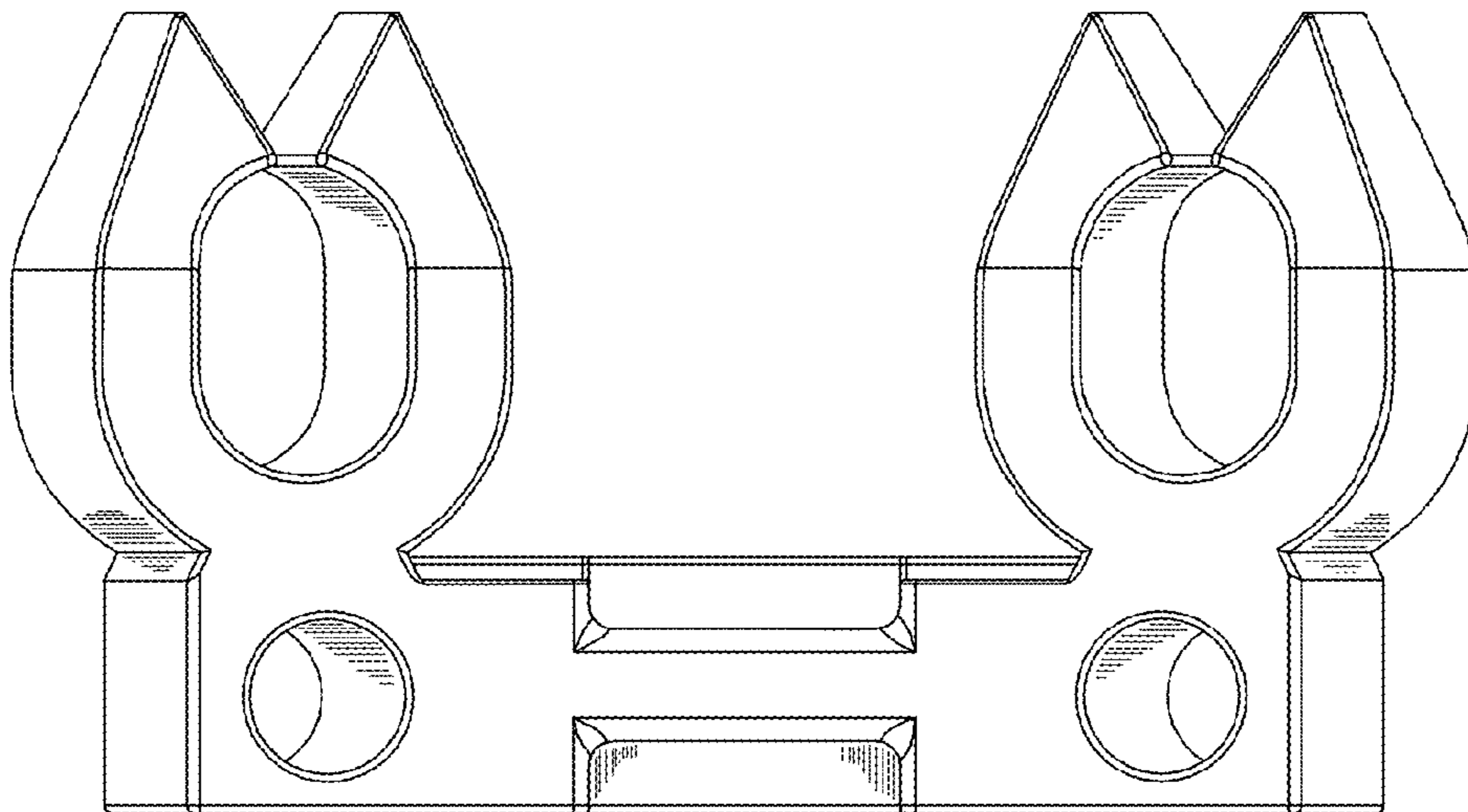


FIG. 3

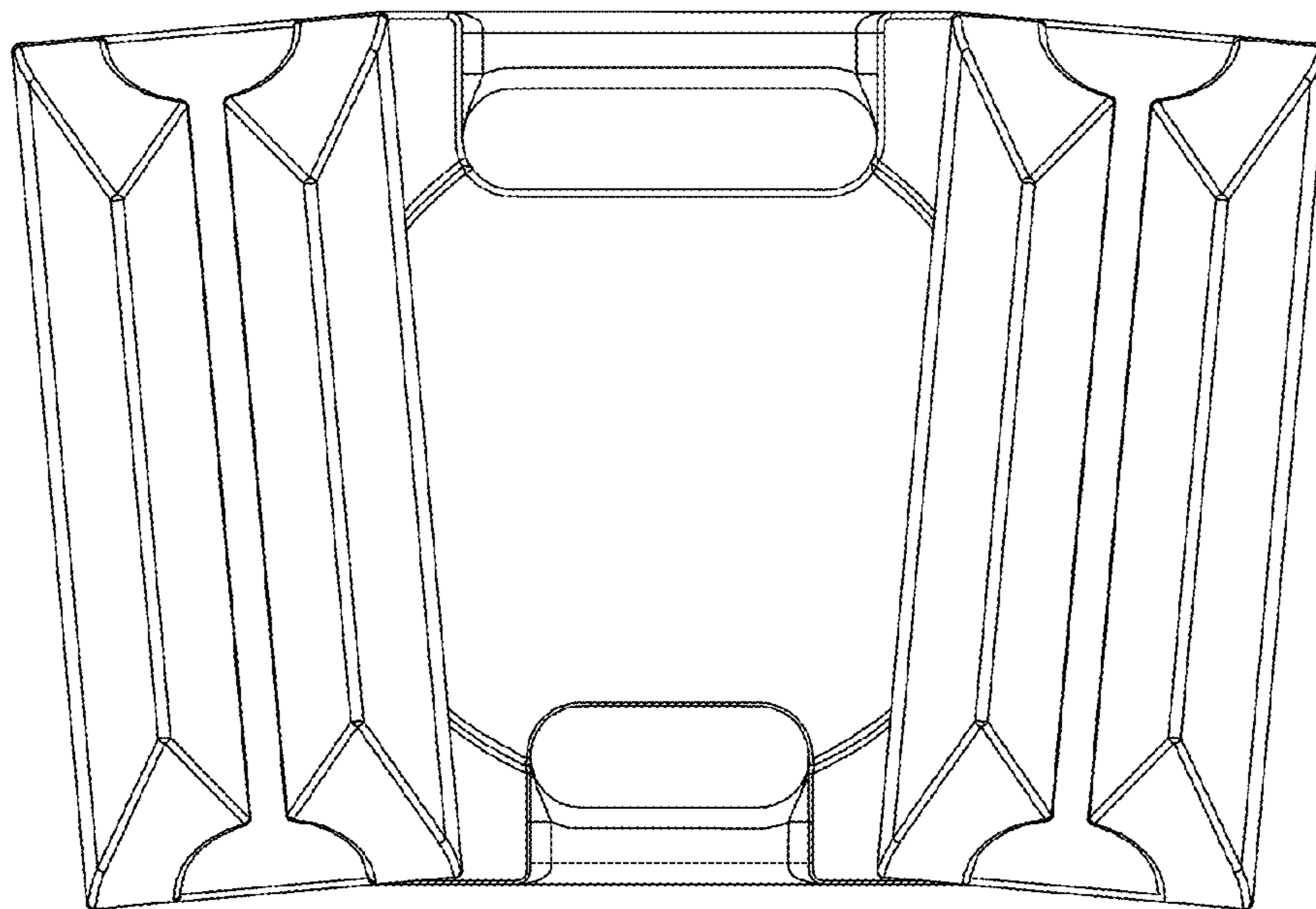


FIG. 4

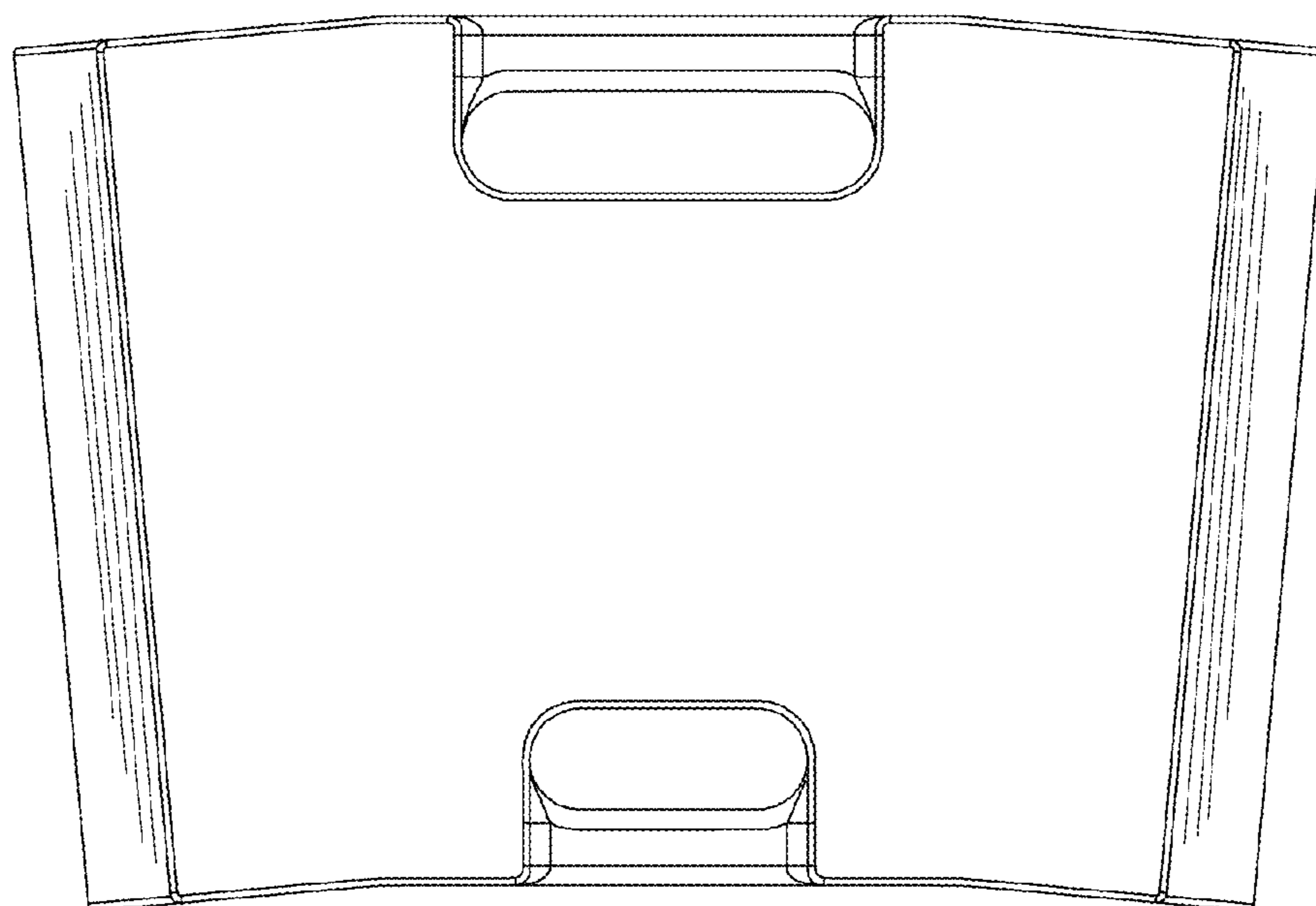


FIG. 5

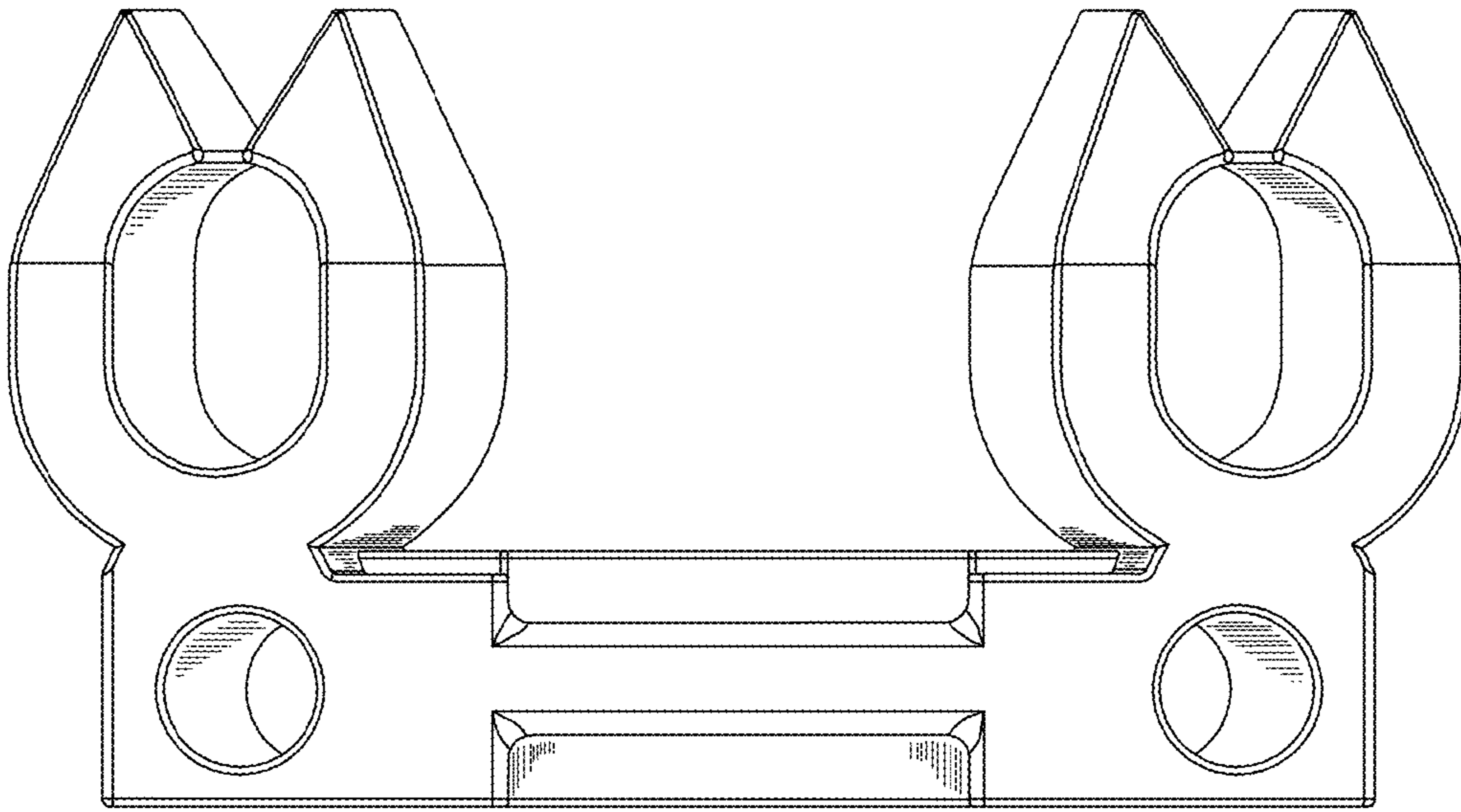


FIG. 6

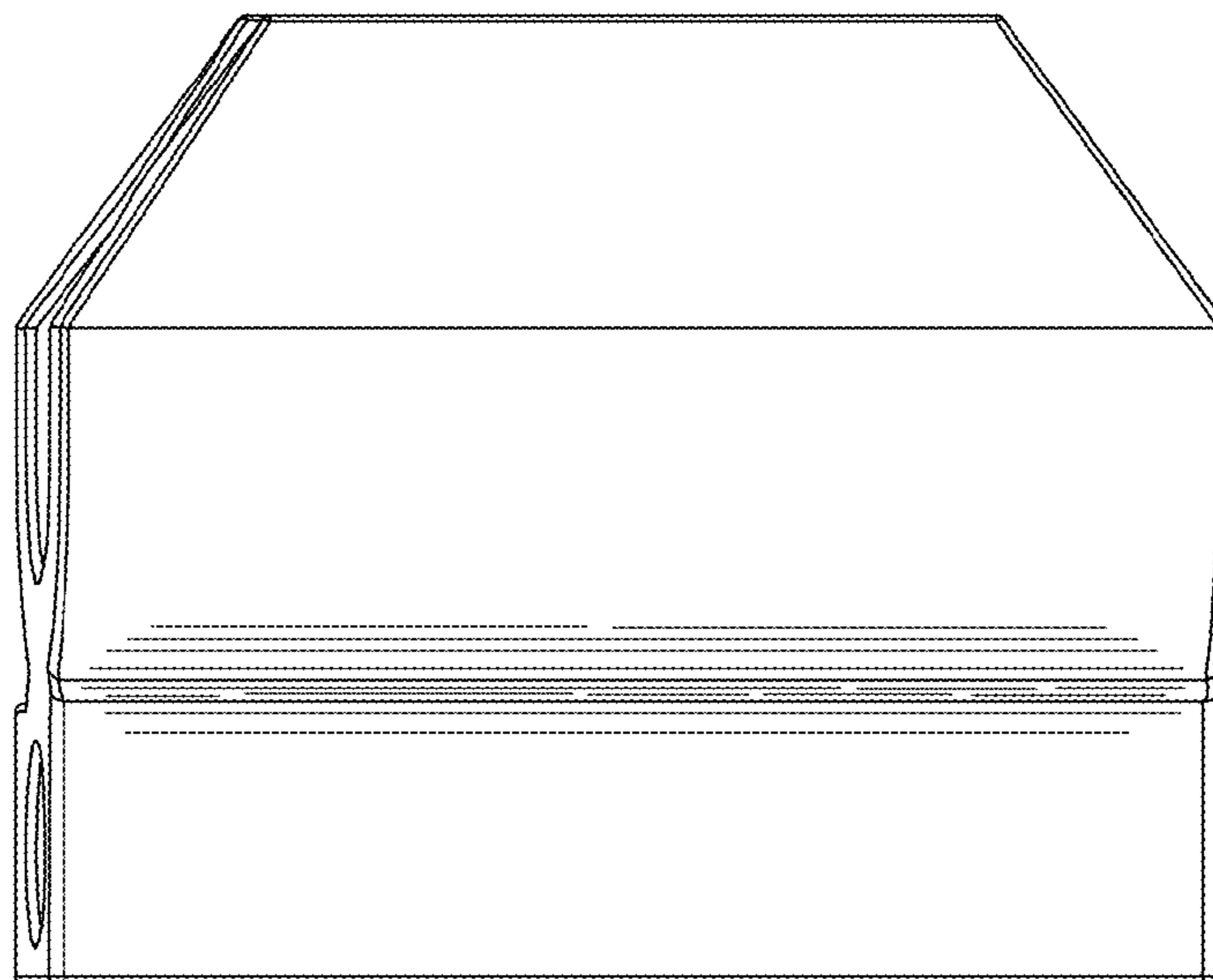


FIG. 7

