



US00D730983S

(12) **United States Design Patent**
Loree et al.

(10) **Patent No.:** **US D730,983 S**
(45) **Date of Patent:** **** Jun. 2, 2015**

(54) **BINDER**

(71) Applicant: **Avery Dennison Corporation**,
Pasadena, CA (US)
(72) Inventors: **Dale Loree**, Brea, CA (US); **Jim Warner**, Chicago, IL (US)
(73) Assignee: **CCL Label, Inc.**, Framingham, MA (US)
(**) Term: **14 Years**

(21) Appl. No.: **29/436,773**
(22) Filed: **Nov. 8, 2012**
(51) **LOC (10) Cl.** **19-04**
(52) **U.S. Cl.**
USPC **D19/27**
(58) **Field of Classification Search**
USPC D19/26, 27, 100; 281/3.1, 15.1, 21.1,
281/27.1, 42, 45, 51; 402/1, 3, 19, 80 R;
462/71, 75, 76, 84
CPC B42F 13/00; B42F 13/0006; B42F 3/00
See application file for complete search history.

(56) **References Cited**

U.S. PATENT DOCUMENTS

1,677,277 A * 7/1928 Federbush et al. 402/3
1,865,741 A 7/1932 Carney

(Continued)

FOREIGN PATENT DOCUMENTS

CA 2343770 C 3/2000
CA 2198056 C 10/2000

(Continued)

OTHER PUBLICATIONS

Canadian Industrial Designs Database CA ID117894, Date of Registration Mar. 19, 2008, Title Binder, 2 pages.

(Continued)

Primary Examiner — Sheryl Lane

Assistant Examiner — Ieisha Price

(74) *Attorney, Agent, or Firm* — McDonald Hopkins, LLC

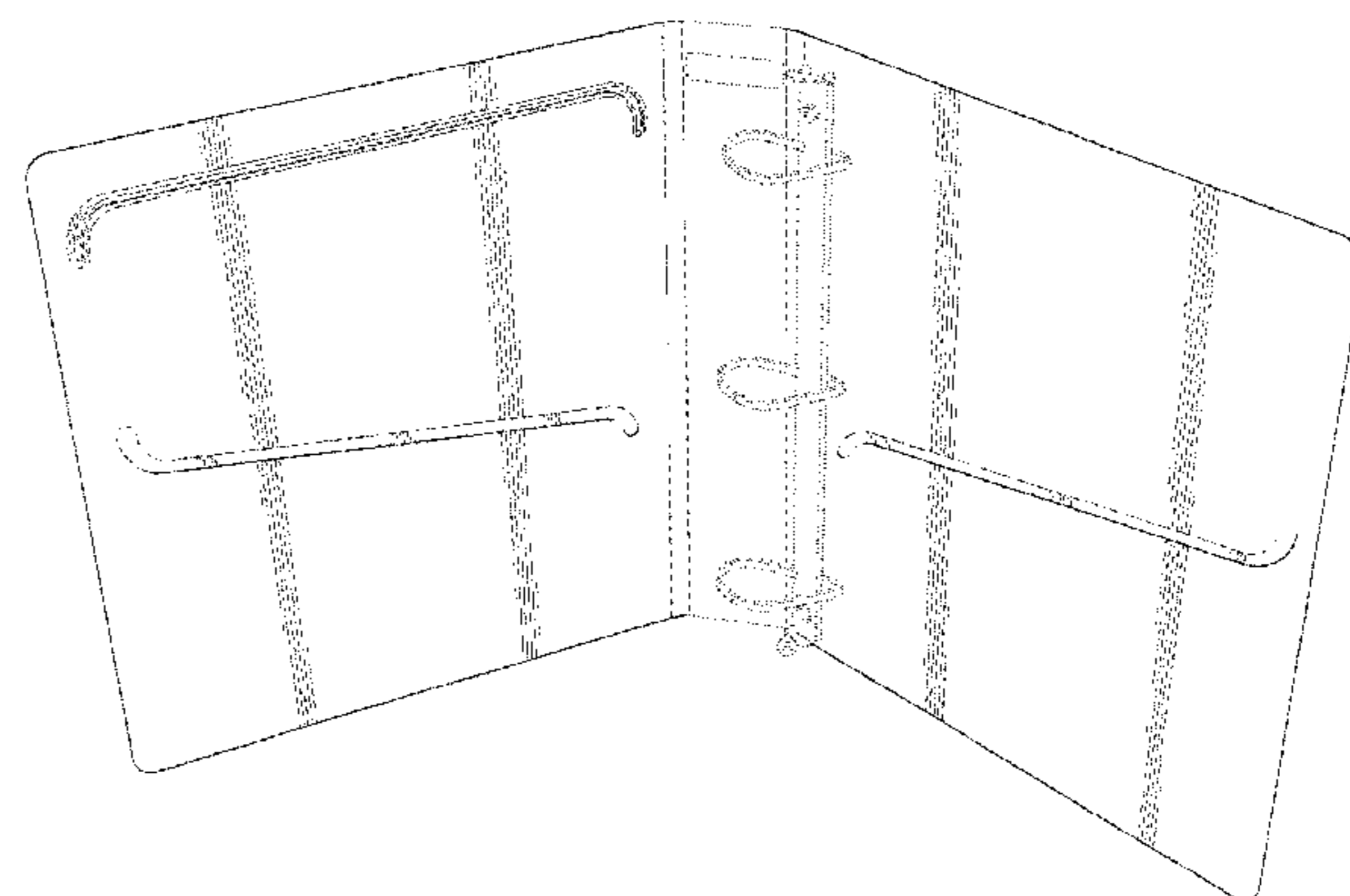
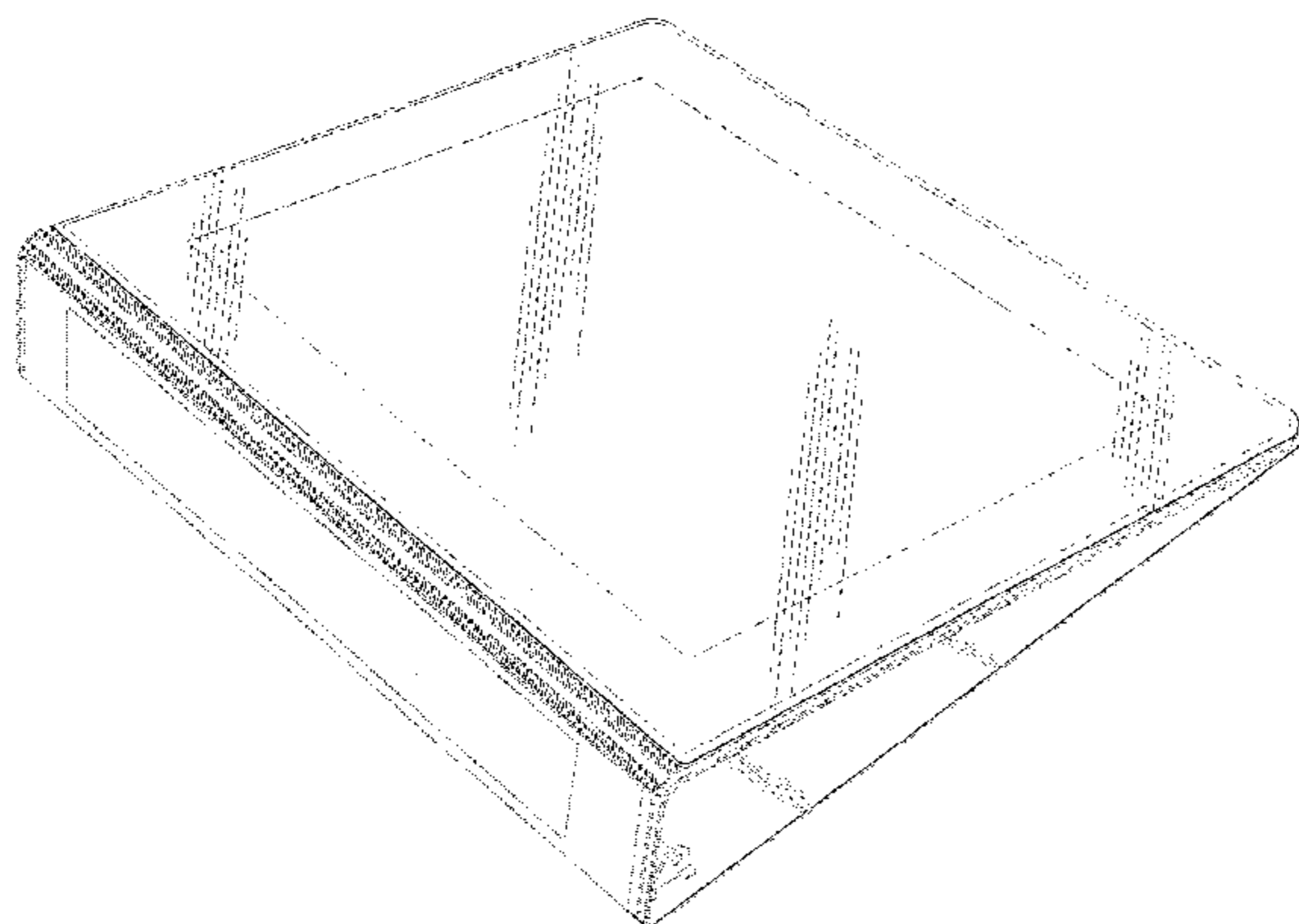
(57) **CLAIM**

The ornamental design for binder, as shown and described.

DESCRIPTION

FIG. 1 is a perspective view of a binder in a closed position. FIG. 2 is a front view of the binder thereof; FIG. 3 is a bottom plan view of the binder thereof; FIG. 4 is a right-side view of the binder thereof; FIG. 5 is a left-side view of the binder thereof; FIG. 6 is a back view of the binder thereof; FIG. 7 is a top plan view of the binder thereof; FIG. 8 is a perspective view of the binder thereof, in a partially open position. FIG. 9 is a perspective view of the view of the binder thereof, in a fully open position. FIG. 10 is a front view of the binder thereof, in a fully open position. FIG. 11 is a back view of the binder thereof, in a fully open position. FIG. 12 is a bottom plan view of the binder thereof, in a fully open position. FIG. 13 is a top plan view of the binder thereof, in a fully open position. FIG. 14 is a right-side view of the binder thereof, in a fully open position; and, FIG. 15 is a left-side view of the binder thereof, in a fully open position. The broken lines in the drawings illustrate portions of the binder and form no part of the claimed design.

1 Claim, 10 Drawing Sheets



(56)

References Cited

U.S. PATENT DOCUMENTS

D319,659 S * 9/1991 Moor D19/27
 5,222,825 A 6/1993 Wyant
 5,368,333 A 11/1994 Arroyo
 5,607,246 A 3/1997 Podosek
 5,857,797 A 1/1999 Streff et al.
 5,876,143 A 3/1999 Ong
 5,944,352 A 8/1999 Crouch et al.
 D413,922 S * 9/1999 Thomas D19/26
 5,951,189 A 9/1999 Winzen
 5,951,190 A 9/1999 Wilson
 6,017,164 A 1/2000 Abbott
 6,024,508 A 2/2000 Lippeth et al.
 6,036,229 A 3/2000 Peleman
 6,045,160 A 4/2000 Weeks
 6,045,161 A 4/2000 Ashcraft et al.
 D435,269 S * 12/2000 Karten et al. D19/27
 6,196,591 B1 3/2001 Lieth
 6,206,602 B1 3/2001 Yamamoto et al.
 6,213,516 B1 4/2001 Ong
 6,234,701 B1 5/2001 Karten et al.
 6,302,443 B1 * 10/2001 Ashcraft et al. 281/37
 6,361,236 B1 3/2002 Podosek
 6,364,559 B2 4/2002 Brown et al.
 6,368,005 B1 4/2002 Streff et al.
 6,488,433 B2 12/2002 Wien et al.
 6,764,242 B1 7/2004 Karten et al.
 7,021,853 B2 4/2006 Hall et al.
 7,140,643 B1 11/2006 Smith
 7,320,554 B2 1/2008 Hough et al.
 D565,099 S 3/2008 Petrie et al.
 7,387,461 B2 6/2008 Brandt et al.
 7,399,136 B2 7/2008 Petrie et al.
 D576,673 S 9/2008 Petrie et al.
 7,717,639 B2 5/2010 Zins et al.
 7,762,589 B2 7/2010 Hough et al.
 7,934,884 B2 5/2011 Lockhart et al.
 2005/0053417 A1 3/2005 Yamamoto et al.
 2005/0100395 A1 5/2005 Brann
 2006/0055167 A1 3/2006 Pollman et al.

2008/0226384 A1 9/2008 Shing
 2008/0273917 A1 11/2008 Beuselinck et al.
 2009/0236843 A1 9/2009 Rowe et al.
 2011/0038662 A1 2/2011 Lockhart et al.
 2011/0206446 A1 8/2011 Lockhart et al.
 2012/0080876 A1 4/2012 Bowers et al.
 2012/0082505 A1 4/2012 Sada et al.
 2012/0087714 A1 4/2012 Chang
 2014/0126950 A1 * 5/2014 Loree et al. 402/70

FOREIGN PATENT DOCUMENTS

CA 2341057 A1 9/2001
 CA 2514032 A1 8/2004
 CA 2347878 C 3/2005
 CA 2543332 A1 10/2006
 CA 2629975 A1 7/2007
 CA 2344649 C 3/2008
 CA 2665586 A1 4/2008
 CA 2619106 A1 7/2008
 CA 2314550 C 12/2008
 CA 2663480 A1 10/2009
 CA 2376539 C 3/2010
 CA 2765109 A1 12/2010
 CA 2462705 C 10/2011
 CA 2478972 C 11/2011

OTHER PUBLICATIONS

Canadian Industrial Designs Database CA ID120892, Date of Registration: Mar. 19, 2008, Title Binder, 1 page.
 Chikanari, K., et al., Characteristics and Applications of Sumitomo Easy Processing Polyethylene, Sumitomo Chemical Co., Ltd., Petrochemicals Research Laboratory, 2006, pp. 1-9.
 Sumitomo Chemical Asia, Grade List Summary, Jan. 1, 2010, 2 pages.
 Webpage screen shot of KYSH, Dongguan Kaiyuan Plastication Technology Co., Ltd., 2 pages.
 Webpage screen shot of Binders.com, Binders—Custom Clear Overlay Vinyl Binders, Dec. 19, 2012, 2 pages.

* cited by examiner

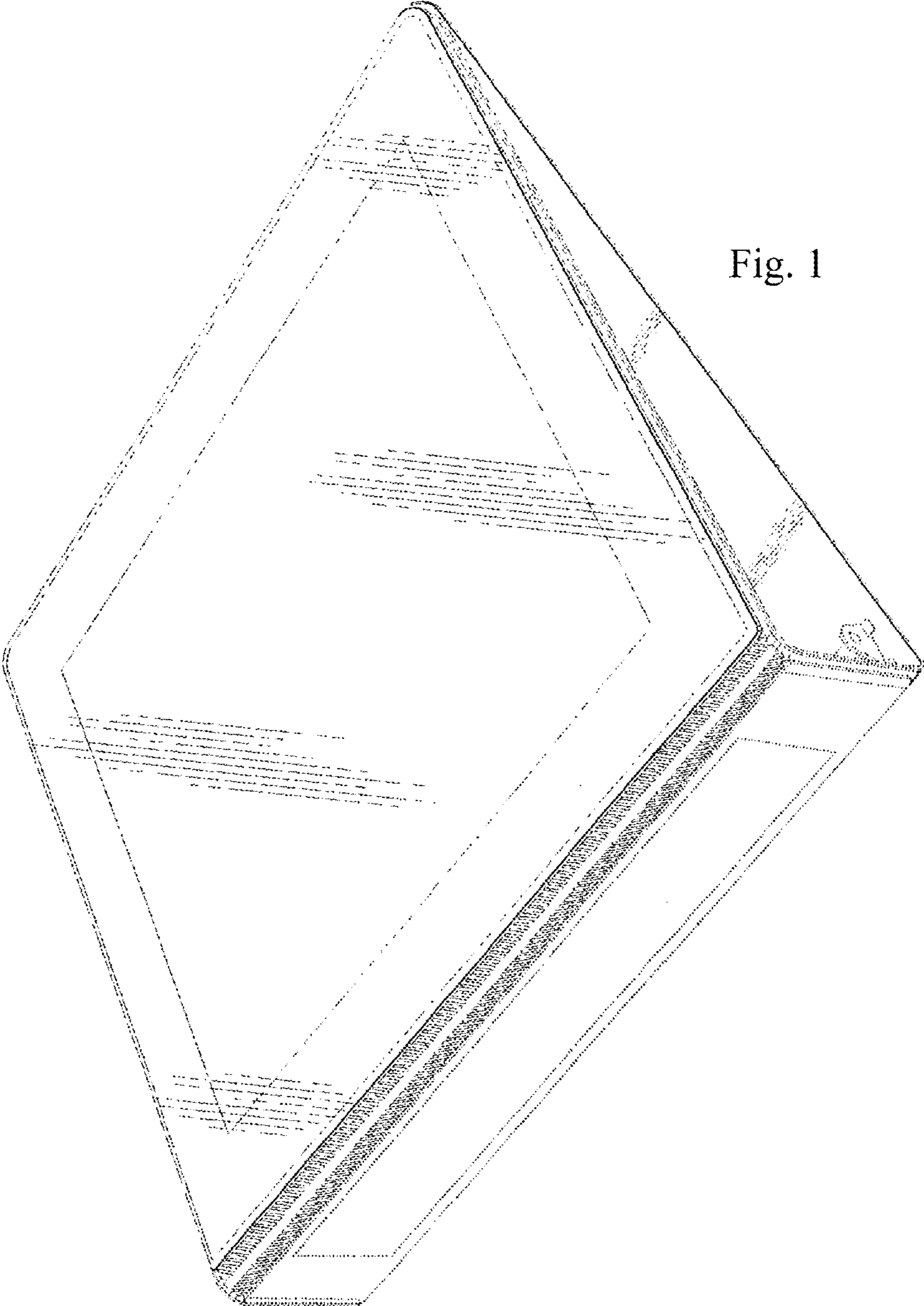


Fig. 1

Fig. 2

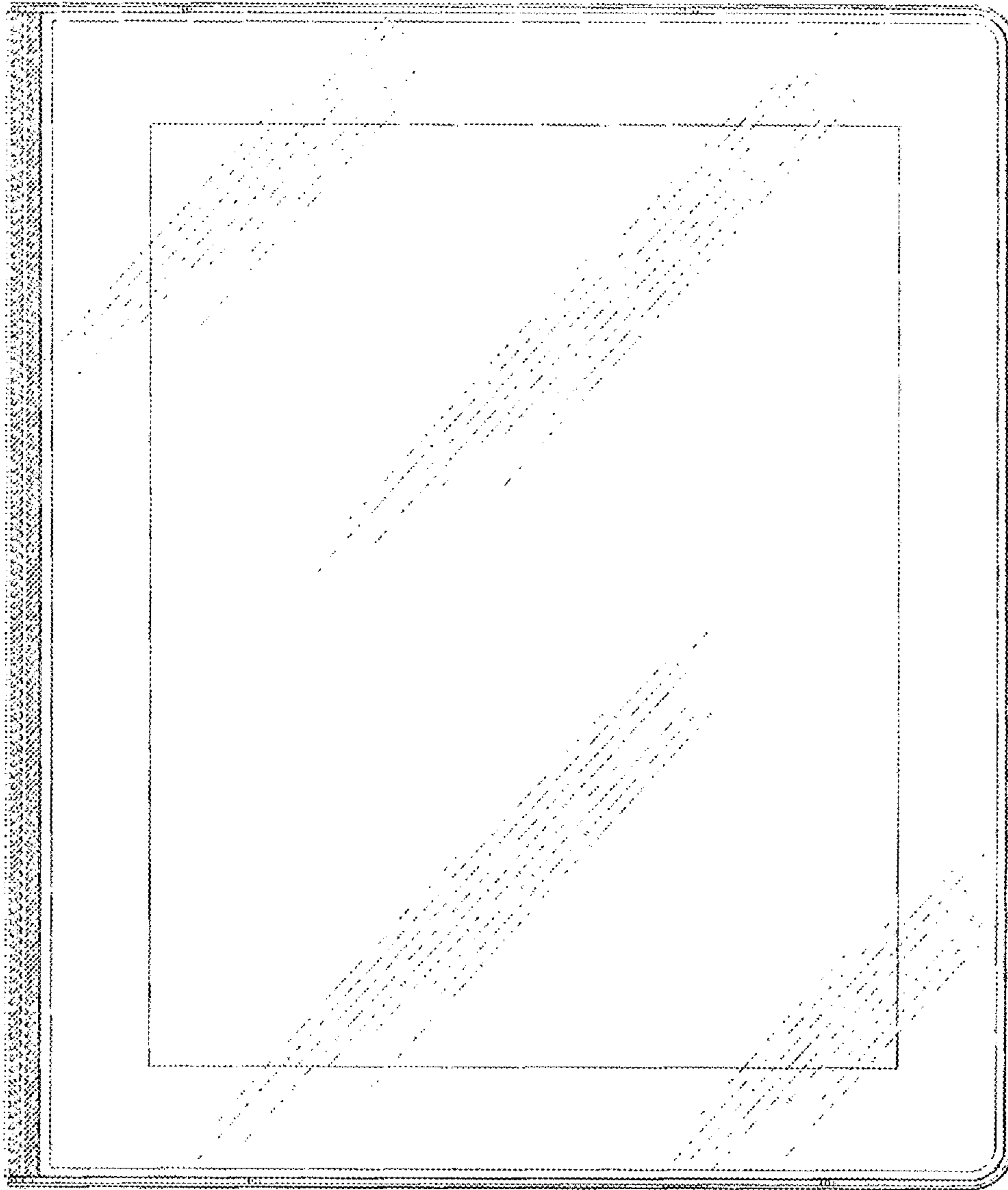


Fig. 3

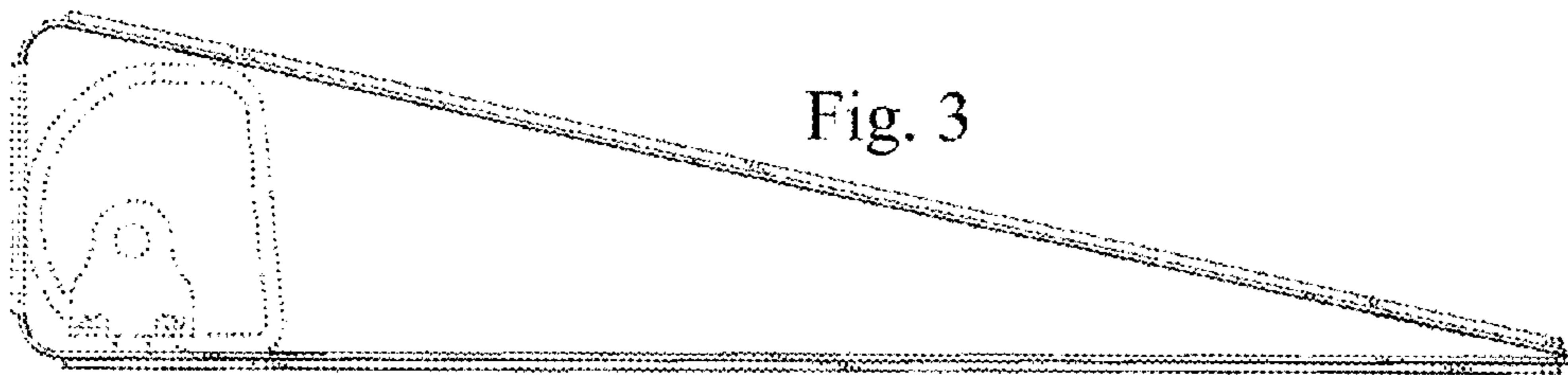


Fig. 4

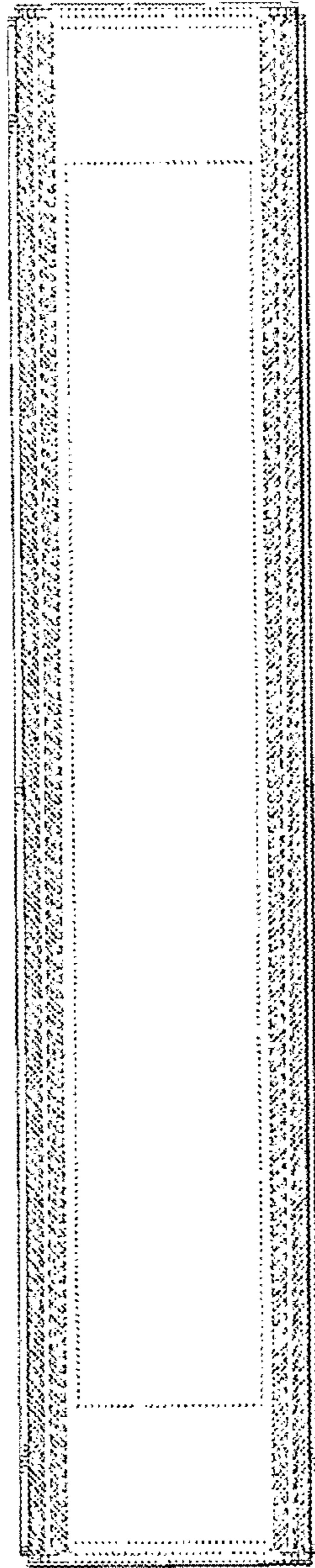


Fig. 5

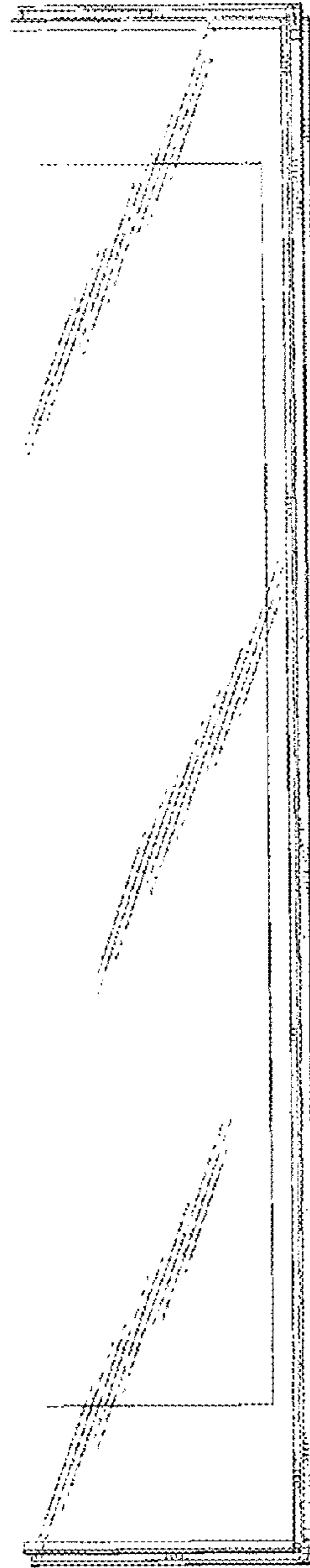


Fig. 6

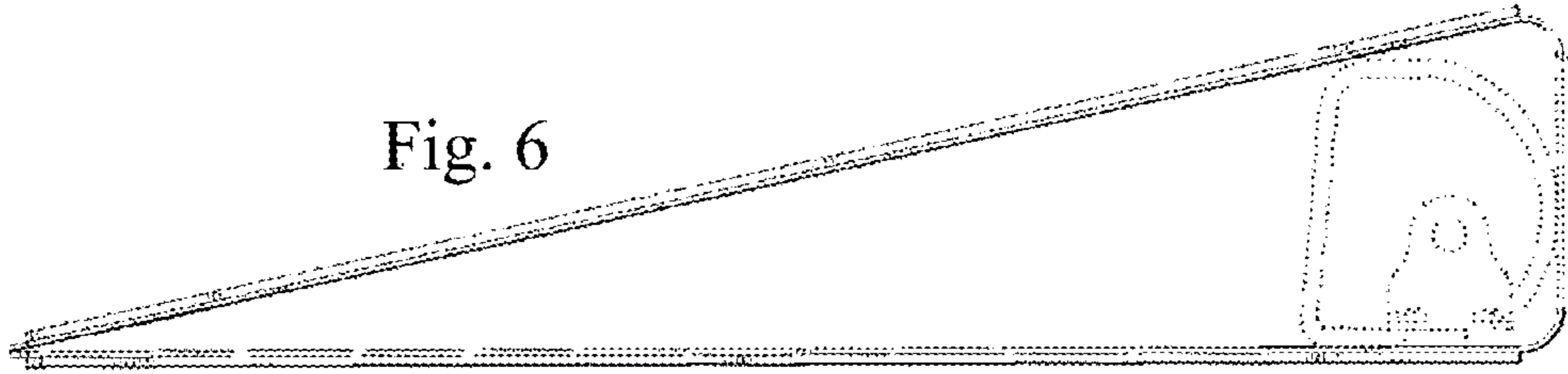


Fig. 7

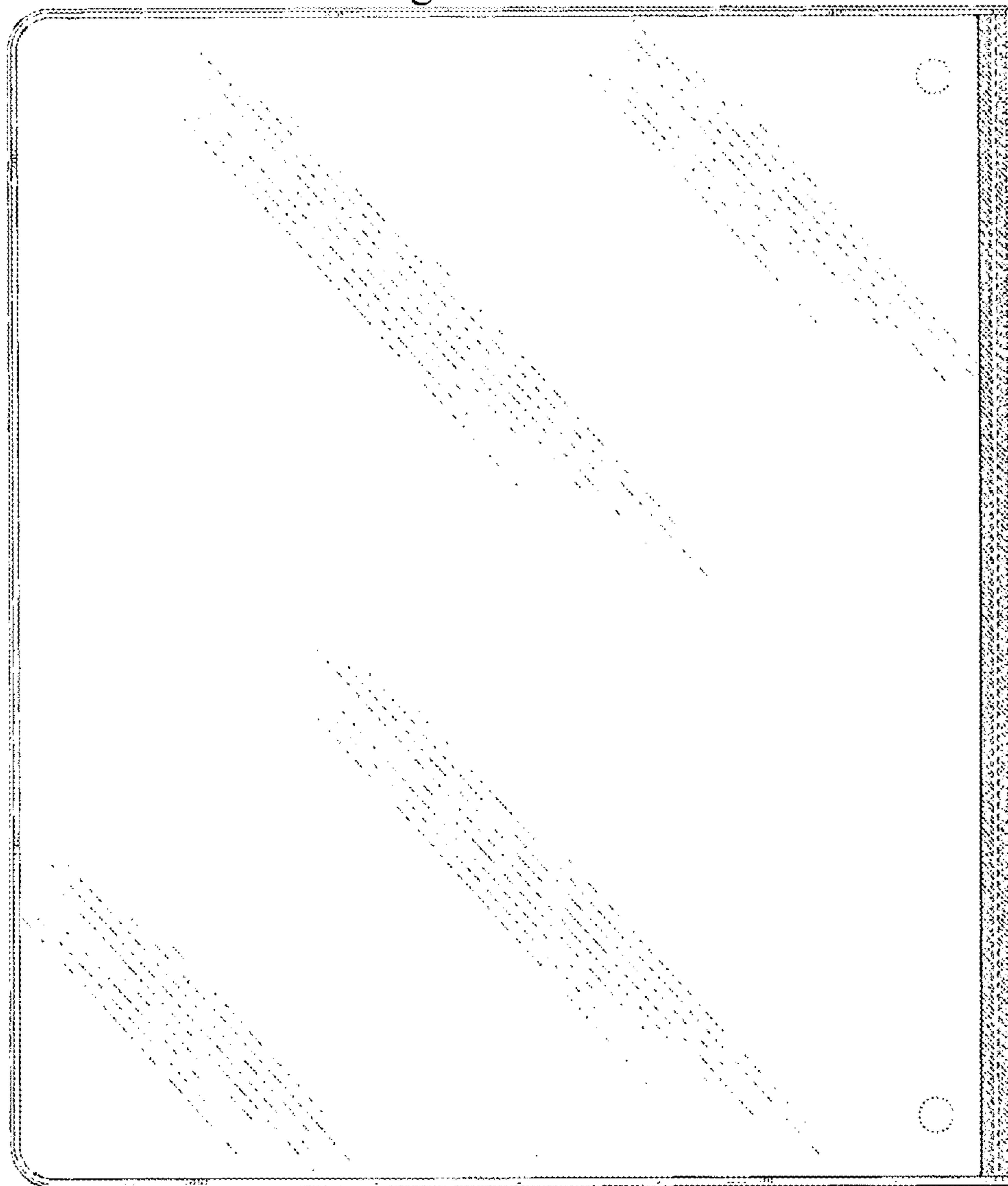
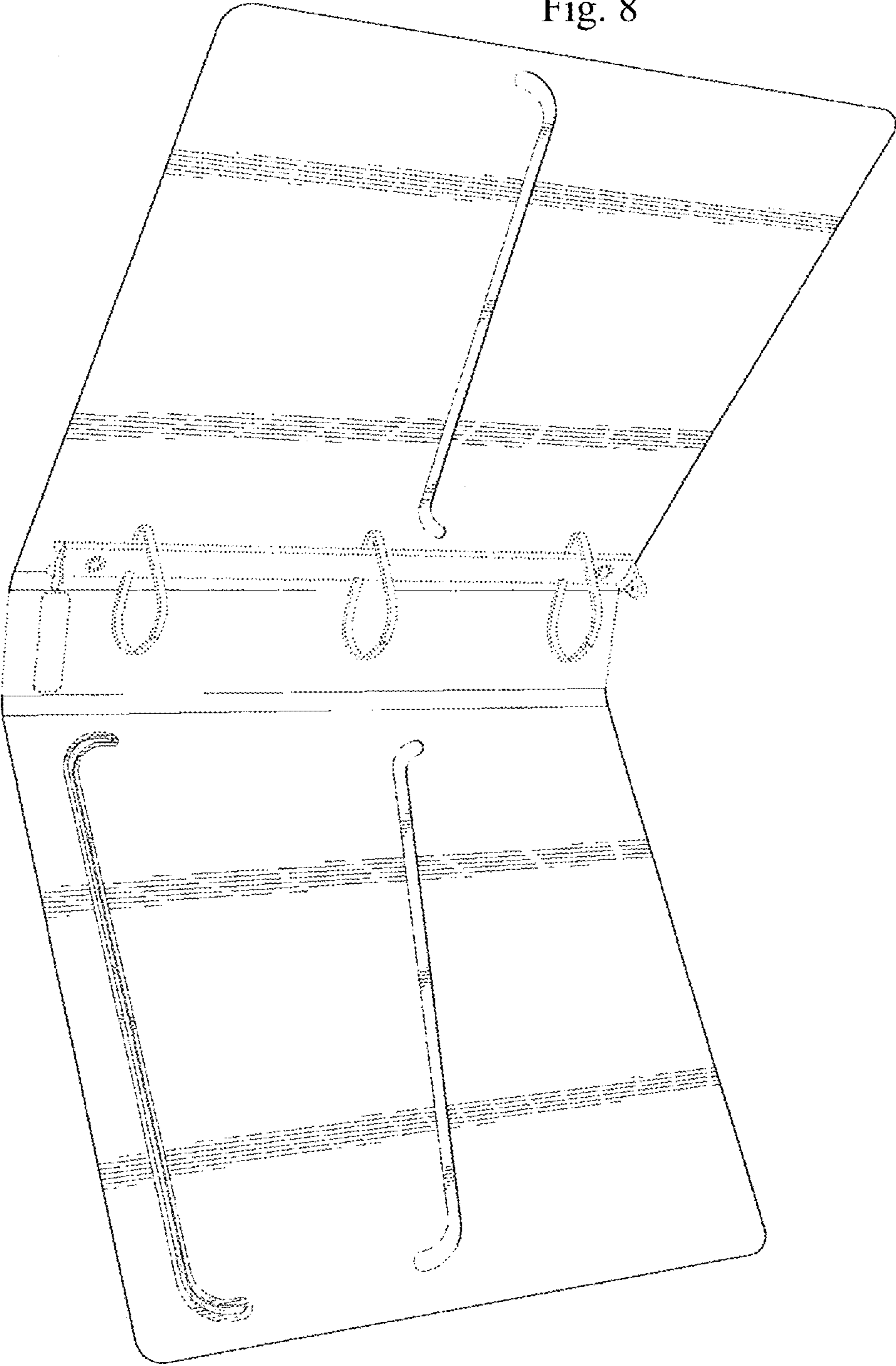


Fig. 8



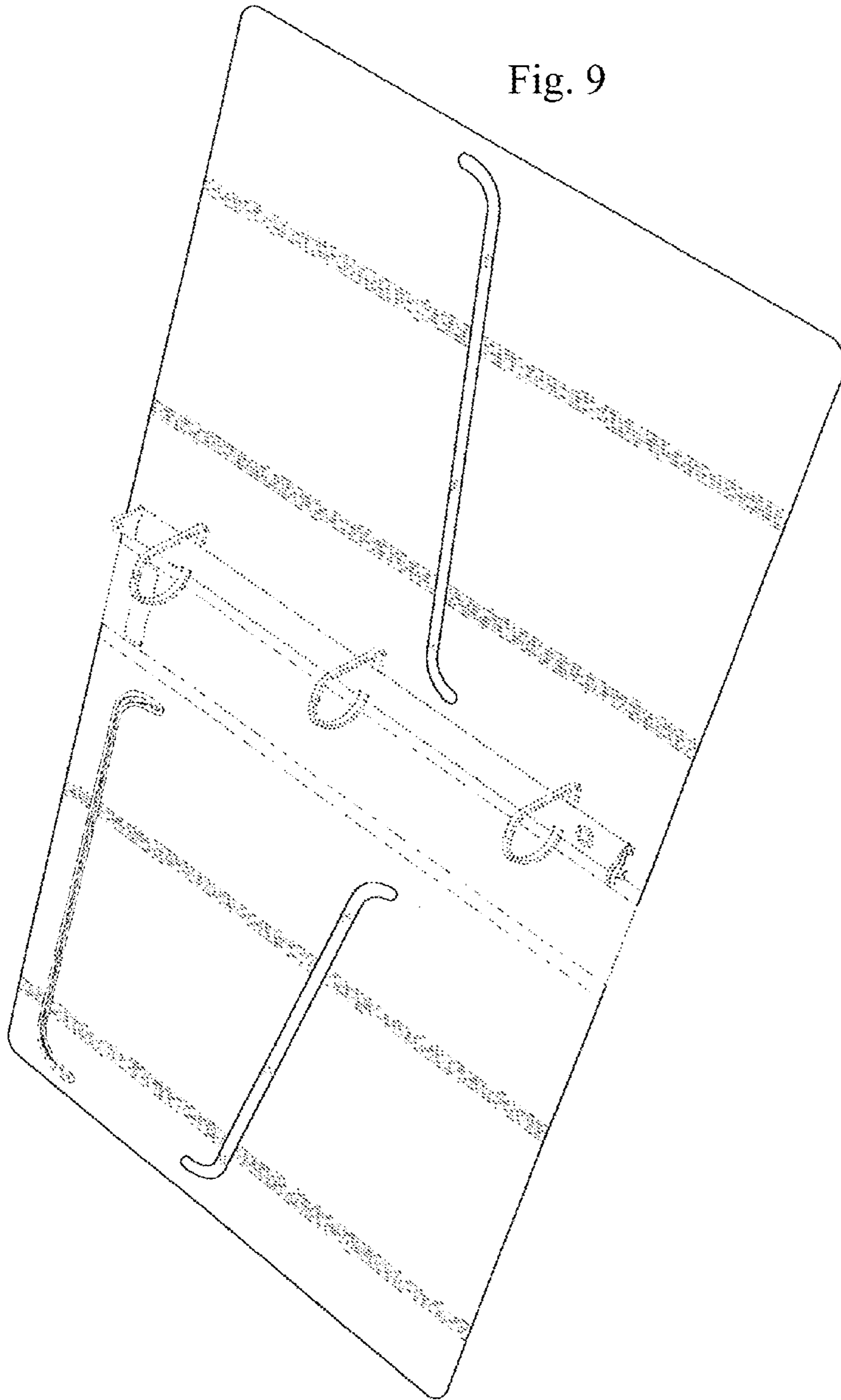


Fig. 9

Fig. 10

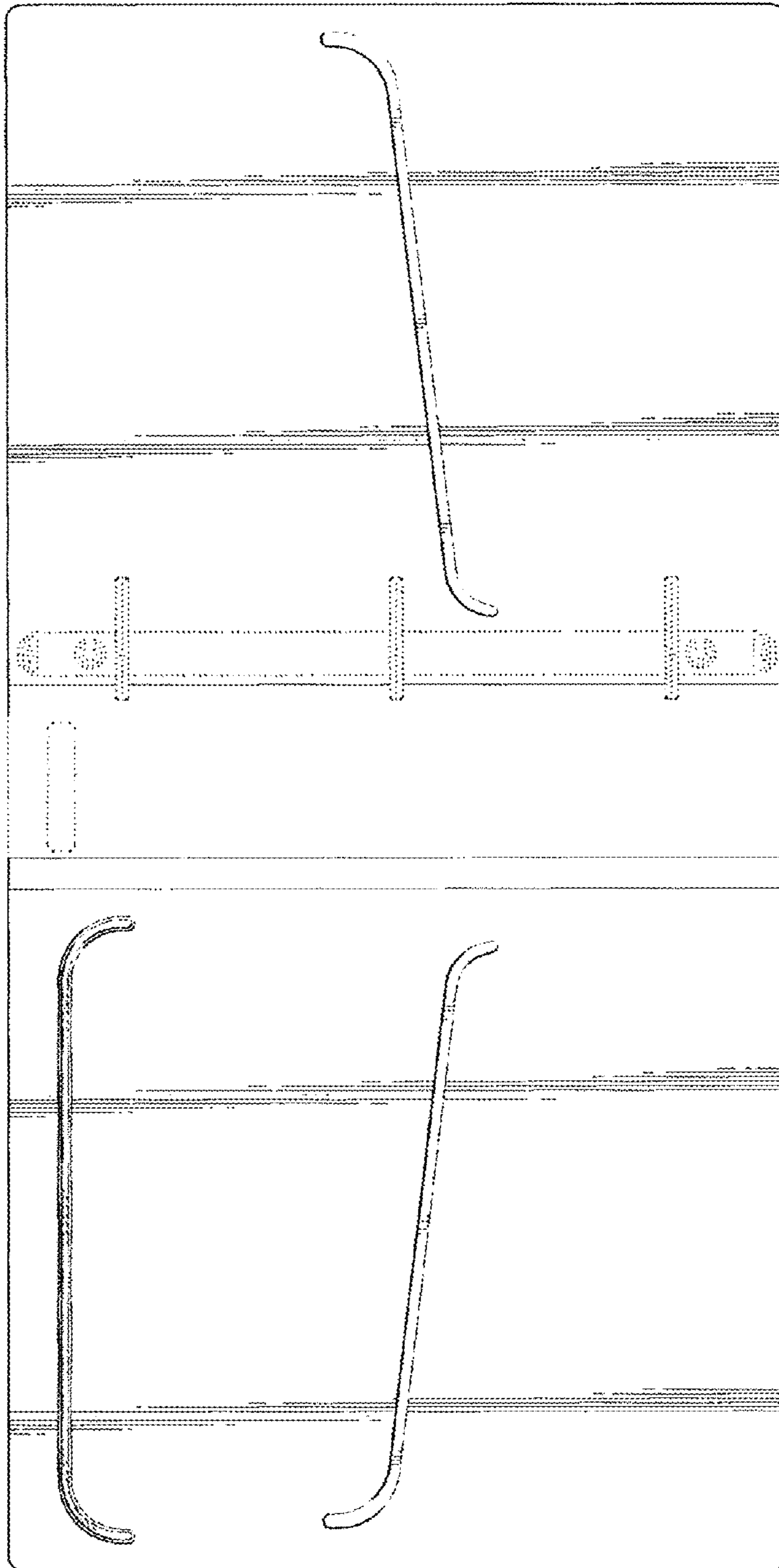


Fig. 11

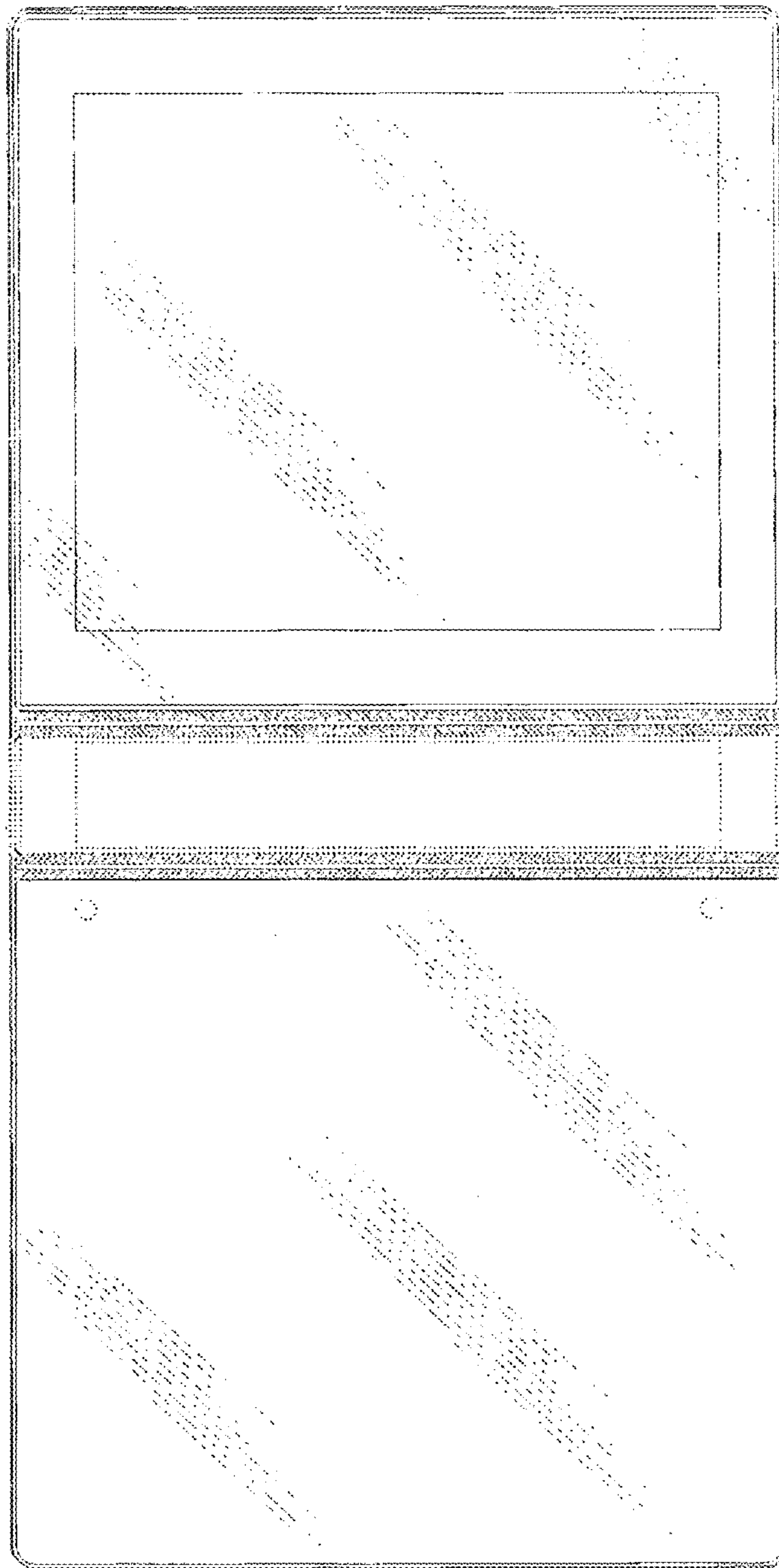


Fig. 12

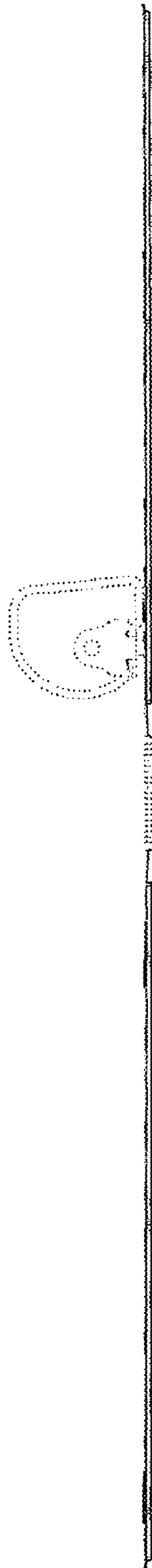


Fig. 13

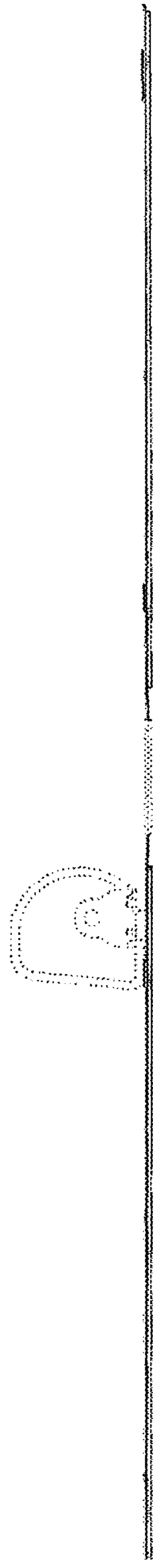


Fig. 14

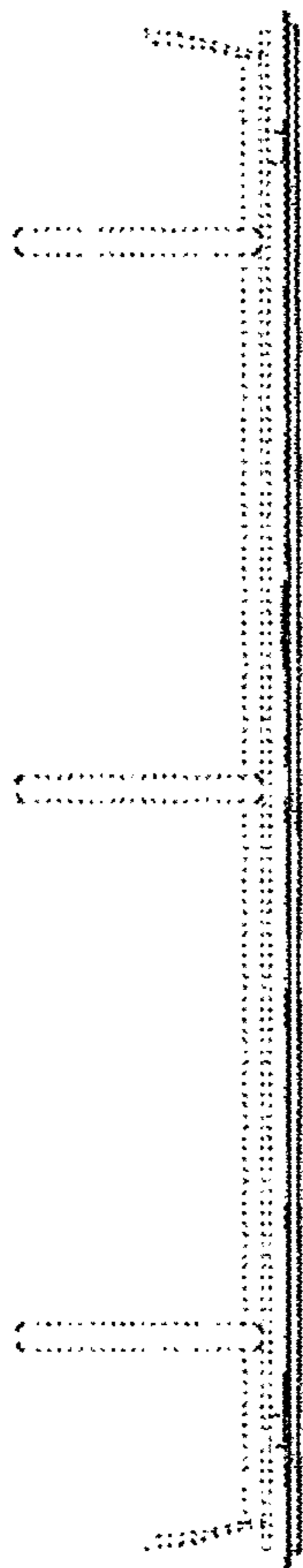


Fig. 15

