

US00D730980S

(12) **United States Design Patent**
Kohno et al.

(10) **Patent No.:** **US D730,980 S**
(45) **Date of Patent:** **** Jun. 2, 2015**

(54) **PRINTER**

(56)

References Cited

(71) Applicants: **Masateru Kohno**, Ohta-ku (JP);
Takashi Munakata, Ohta-ku (JP);
Shigeru Horiguchi, Ohta-ku (JP); **Aya Shin**, Ohta-ku (JP)

(72) Inventors: **Masateru Kohno**, Ohta-ku (JP);
Takashi Munakata, Ohta-ku (JP);
Shigeru Horiguchi, Ohta-ku (JP); **Aya Shin**, Ohta-ku (JP)

U.S. PATENT DOCUMENTS

5,038,169	A *	8/1991	Marincic et al.	399/124
D354,764	S *	1/1995	Tokuda	D18/53
D399,523	S *	10/1998	Takenouchi	D18/36
D544,534	S *	6/2007	Reece	D18/53
7,451,697	B2 *	11/2008	Moore	101/181
D619,166	S *	7/2010	Ishizawa et al.	D18/53
D623,685	S *	9/2010	Tsukuda et al.	D18/53
D648,783	S *	11/2011	Mathea	
D650,417	S *	12/2011	Brown et al.	D18/53
2009/0290902	A1 *	11/2009	Amico et al.	399/107

(73) Assignee: **RICOH COMPANY, LTD.**, Tokyo (JP)

* cited by examiner

(**) Term: **14 Years**

Primary Examiner — Bridget L Eland

(21) Appl. No.: **29/501,566**

(74) *Attorney, Agent, or Firm* — Oblon, McClelland, Maier & Neustadt, L.L.P.

(22) Filed: **Sep. 5, 2014**

(57) **CLAIM**

The ornamental design for a printer, as shown and described.

(30) **Foreign Application Priority Data**

DESCRIPTION

Mar. 7, 2014 (JP) 2014-004871

FIG. 1 is a front elevational view of a printer showing our new design;

(51) **LOC (10) Cl.** **18-02**

FIG. 2 is a rear elevational view thereof;

(52) **U.S. Cl.**
USPC **D18/53**

FIG. 3 is a left side elevational thereof;

(58) **Field of Classification Search**
USPC D18/53, 56, 59, 36, 38, 39, 40, 41, 45;
D14/301, 307; 399/16, 75, 81, 131,
399/151, 361, 365, 367, 381-385, 388
CPC ... G06K 15/12; G06K 15/14; H04N 1/00204;
H04N 1/00249; H04N 1/00278

FIG. 4 is a right side elevational thereof;

FIG. 5 is a top plan view thereof;

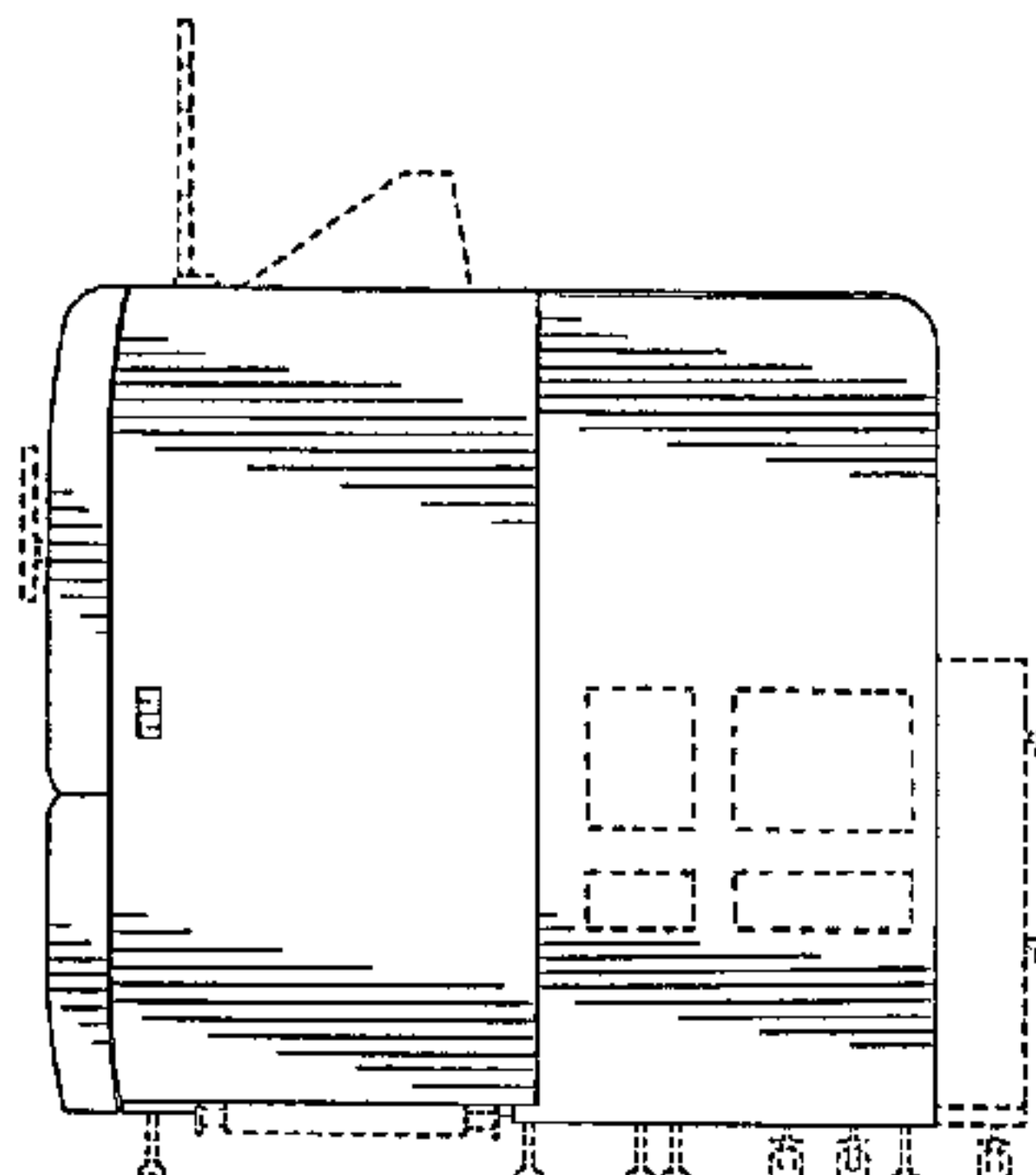
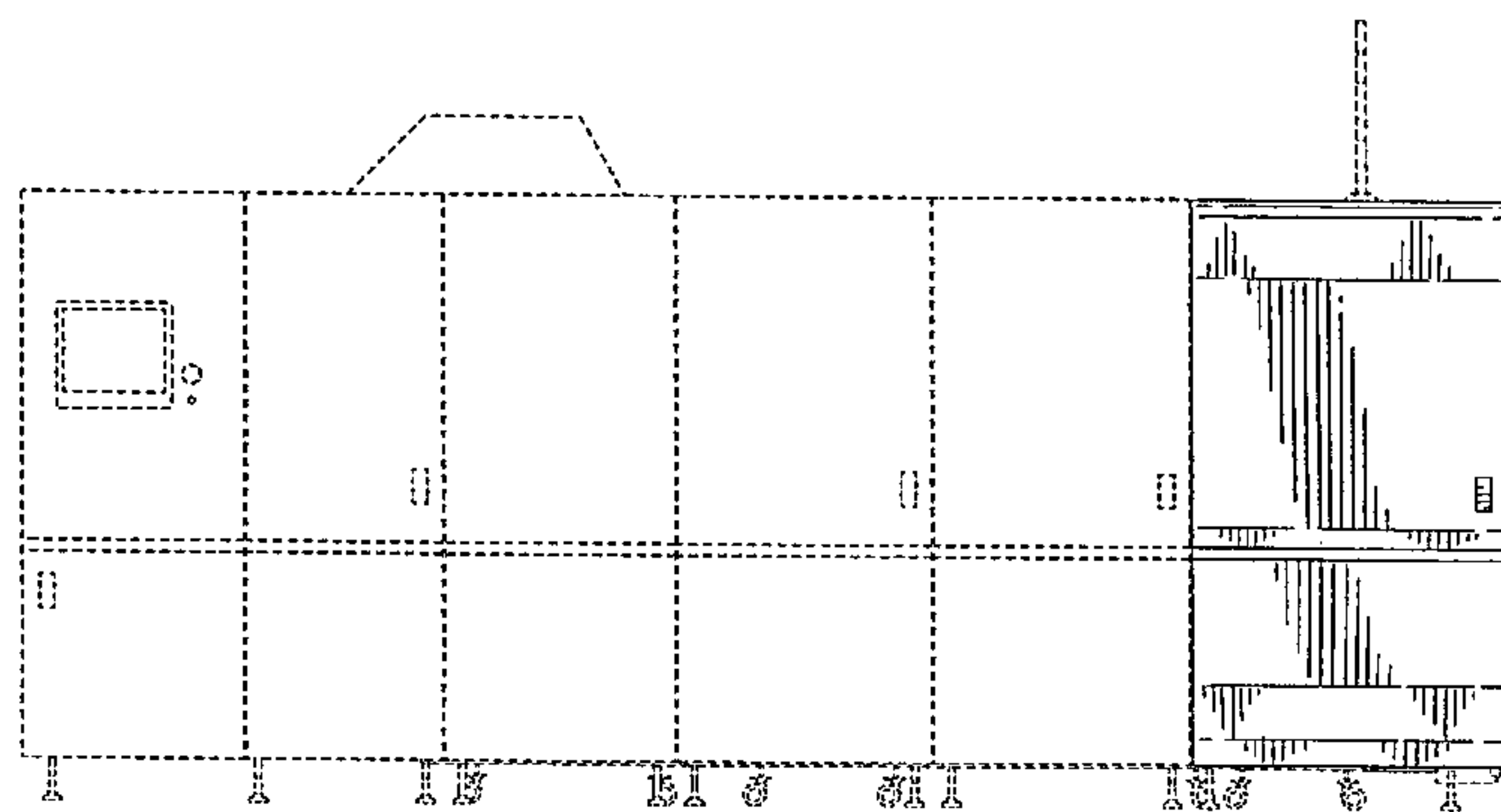
FIG. 6 is a bottom plan view thereof; and,

FIG. 7 is a perspective thereof.

The broken lines shown in the views are included for the purpose of illustrating portions of the printer that form no part of the claimed design.

See application file for complete search history.

1 Claim, 4 Drawing Sheets



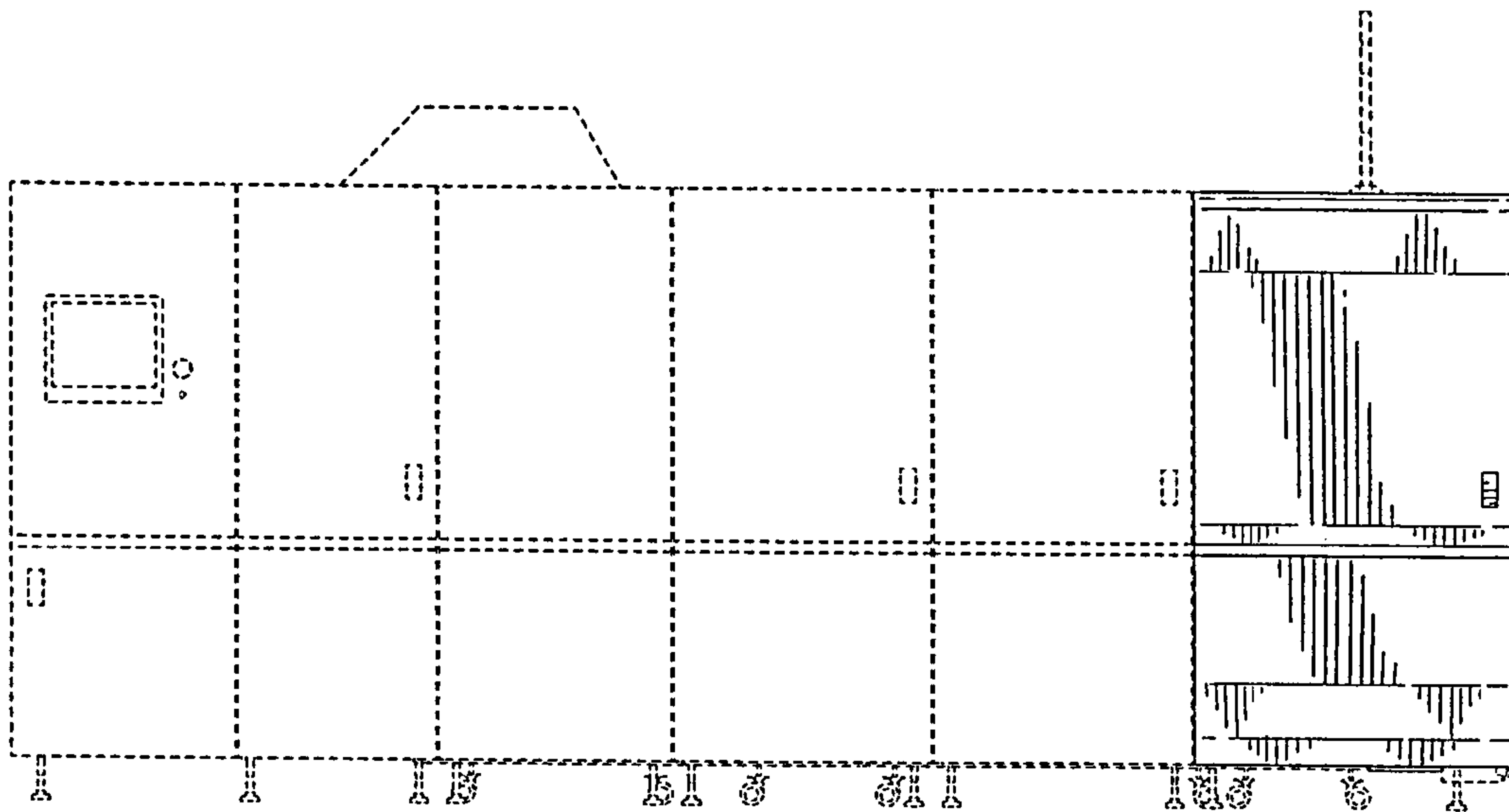


FIG. 1

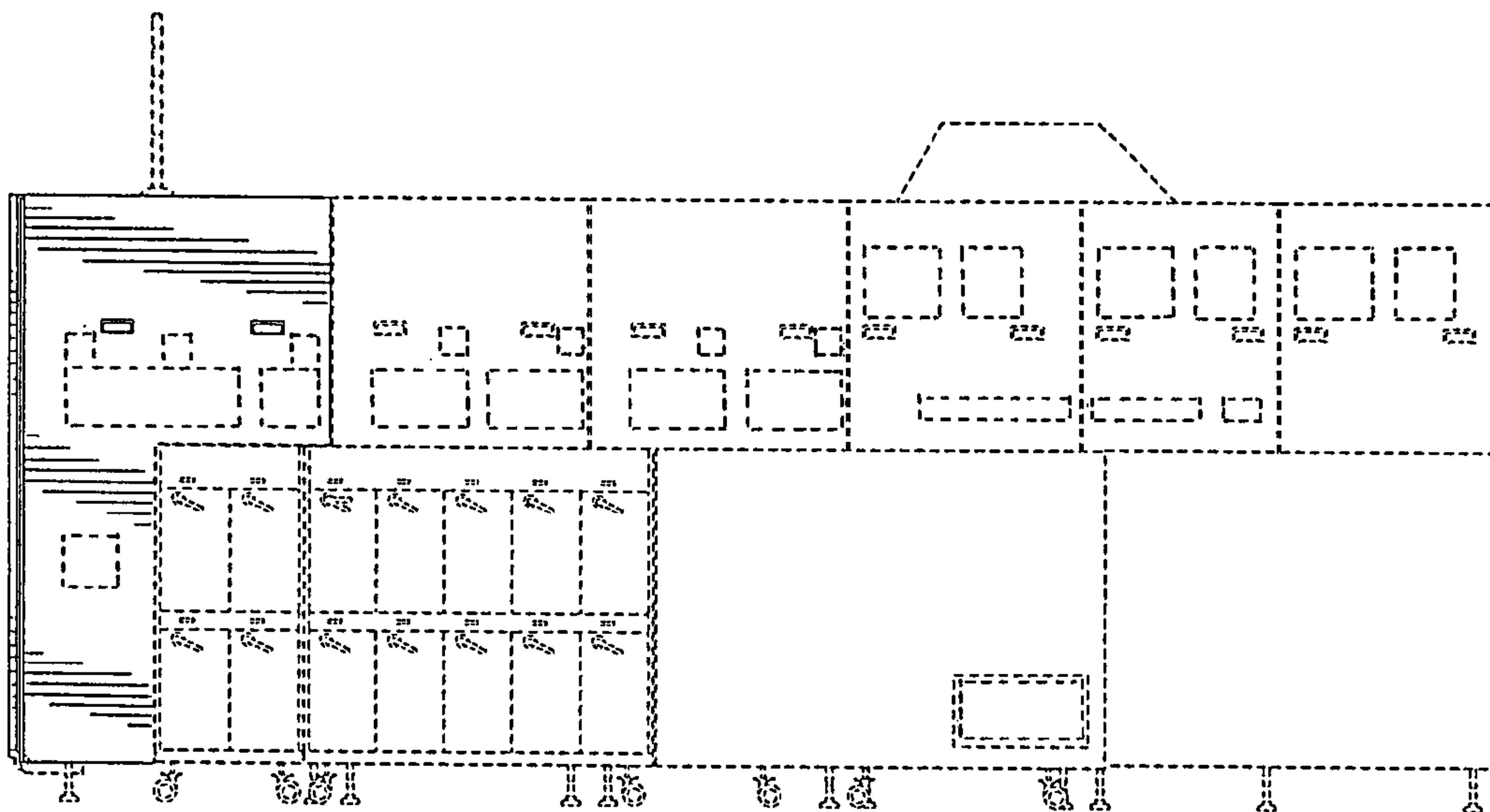


FIG. 2

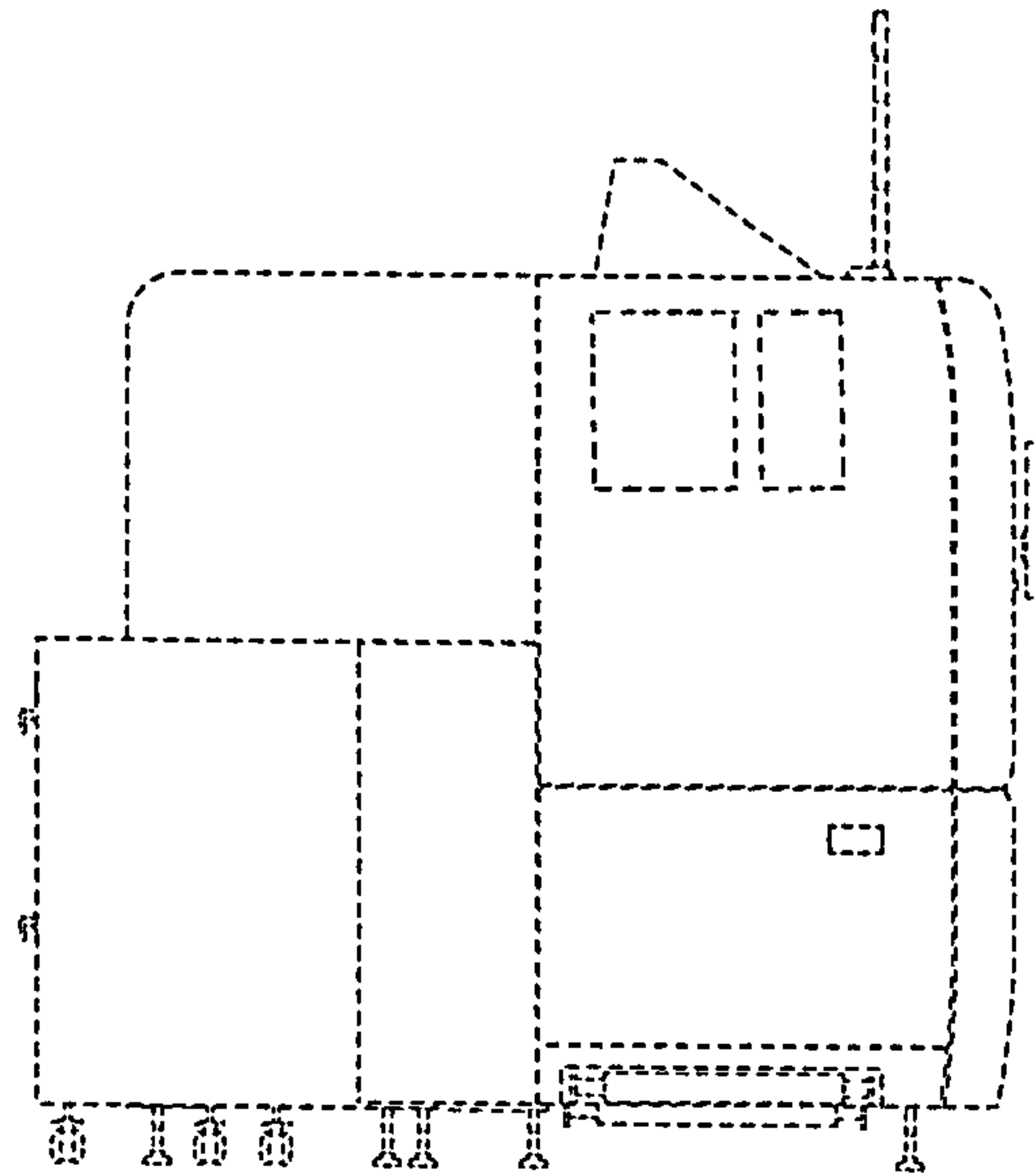


FIG.3

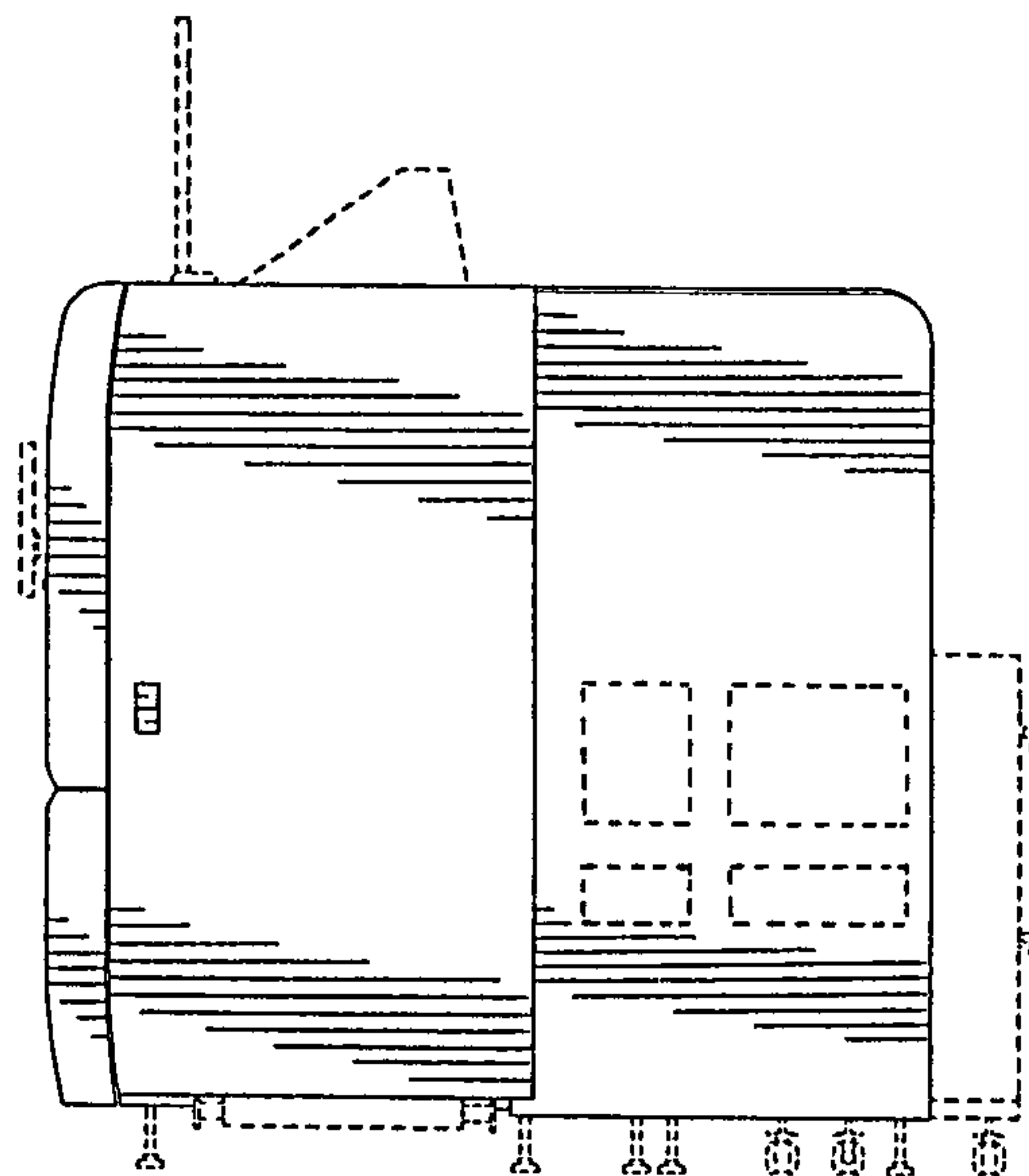


FIG.4

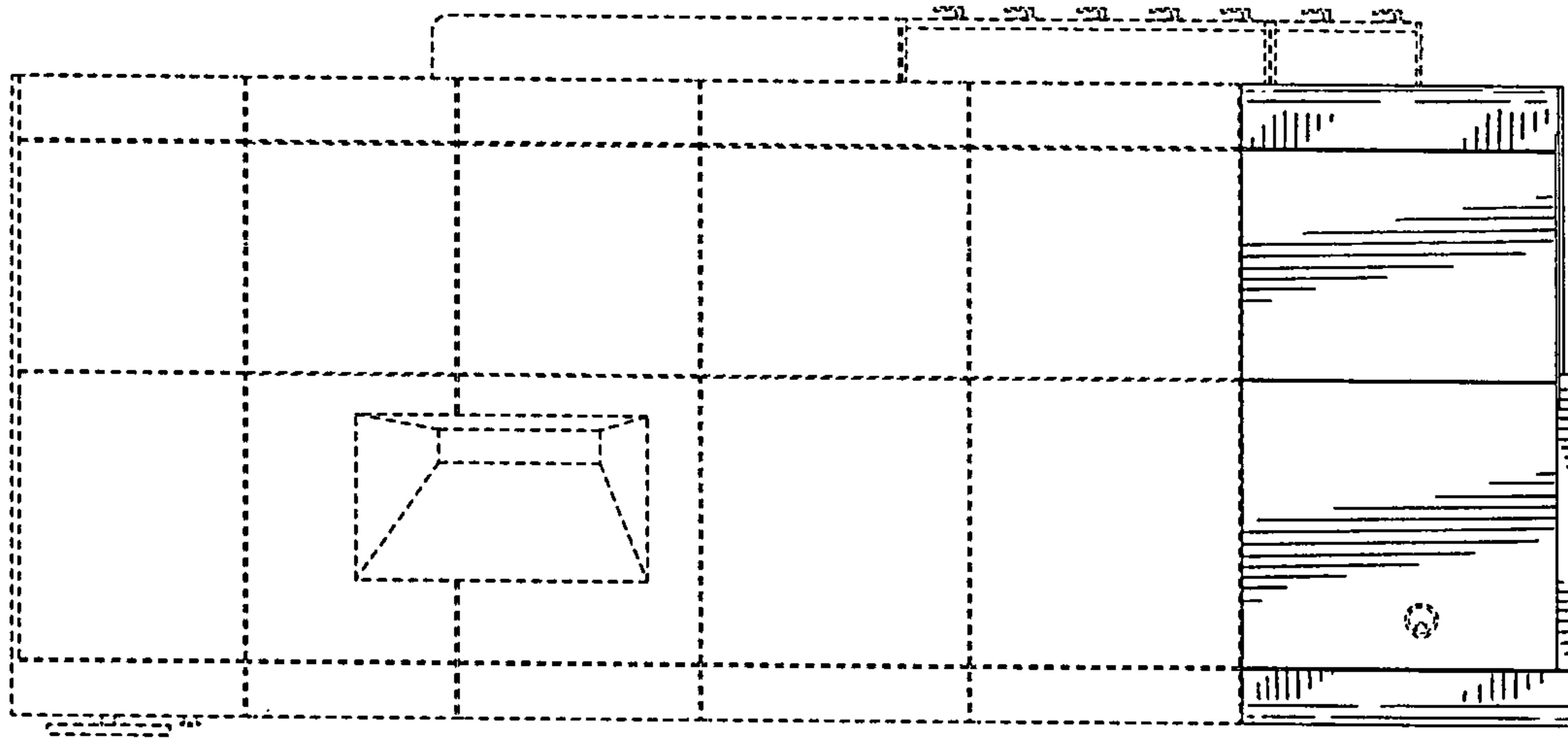


FIG. 5

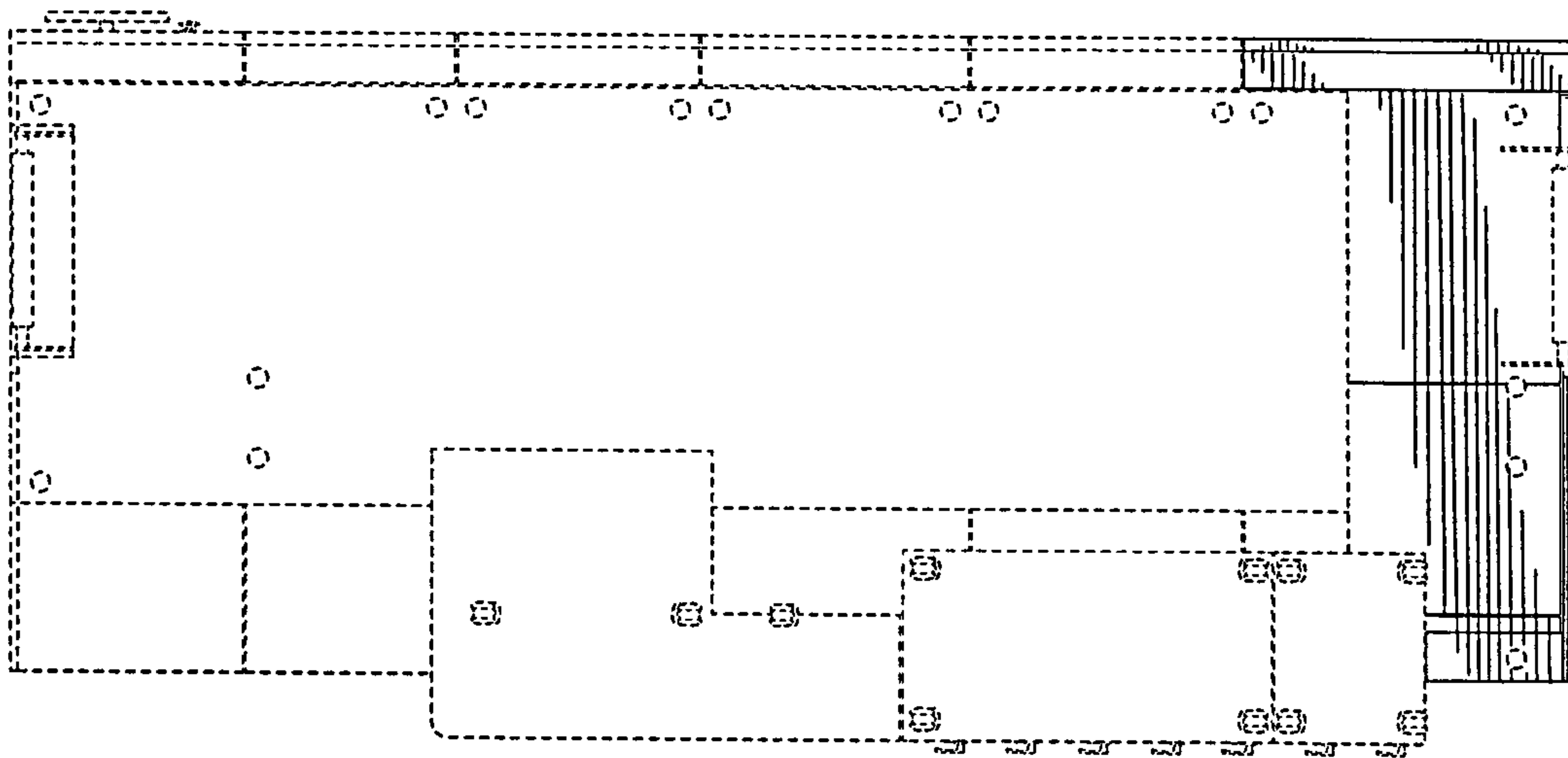


FIG. 6

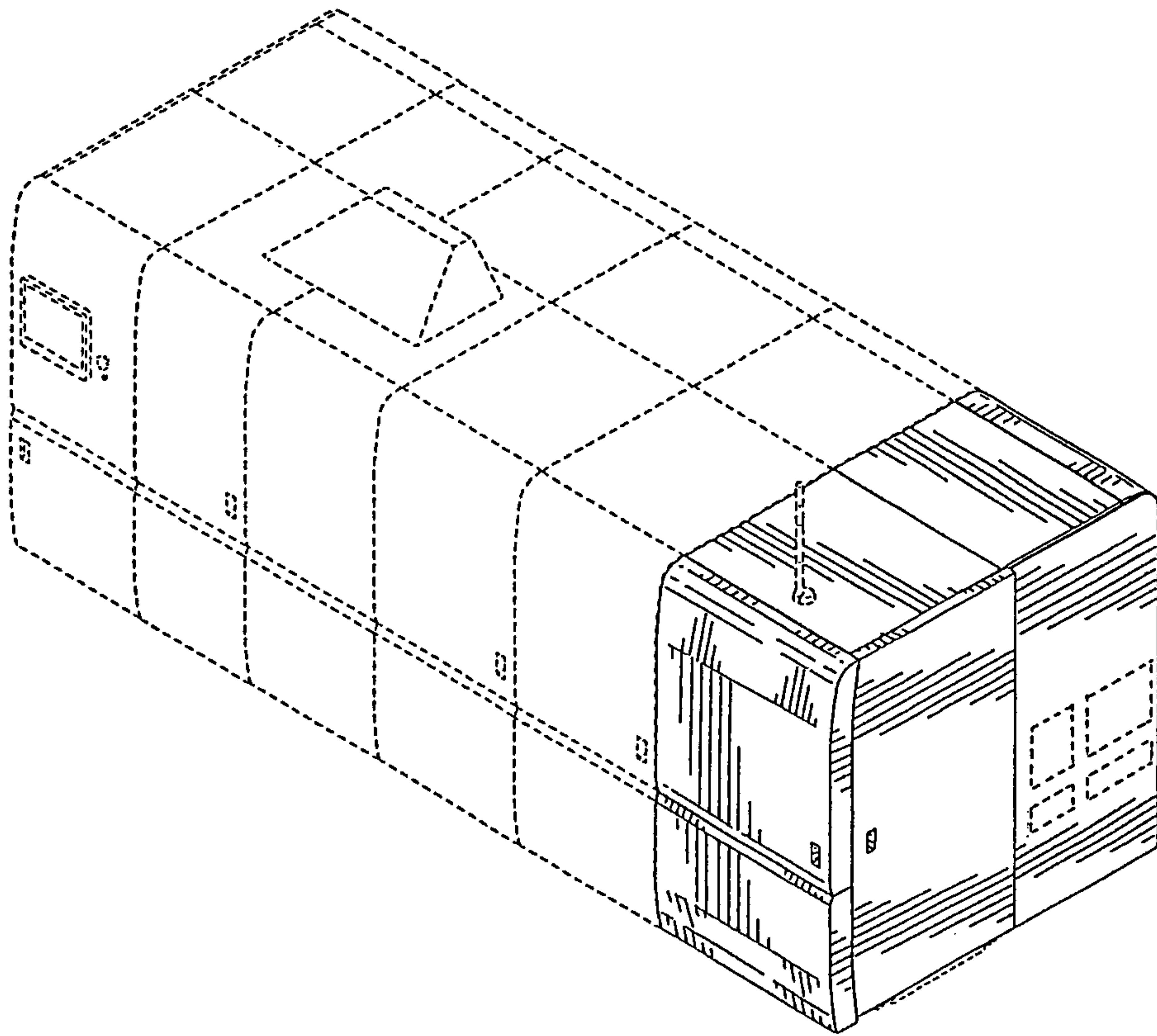


FIG. 7