



US00D730979S

(12) **United States Design Patent**
Anantha et al.

(10) **Patent No.:** **US D730,979 S**
(45) **Date of Patent:** **** Jun. 2, 2015**

(54) **THREE-DIMENSIONAL PRINTER FRAME
USER INTERFACE**

- (71) Applicant: **MakerBot Industries, LLC**, Brooklyn, NY (US)
- (72) Inventors: **Vishnu Anantha**, Queens, NY (US); **Jackson Seidenberg**, Brooklyn, NY (US); **Taylor S. Goodman**, Chappaqua, NY (US); **William B. Buel**, Sunnyvale, CA (US); **Jonah Gold**, Brooklyn, NY (US); **Bryan Vaccaro**, South Orange, NJ (US)
- (73) Assignee: **MakerBot Industries, LLC**, Brooklyn, NY (US)

(**) Term: **14 Years**

(21) Appl. No.: **29/478,420**

(22) Filed: **Jan. 5, 2014**

(51) **LOC (10) Cl.** **18-02**

(52) **U.S. Cl.**
USPC **D18/50; D18/56**

(58) **Field of Classification Search**
USPC D18/6-7, 14, 19, 50, 54.1, 54, 55, 59;
D15/135, 138, 122; 101/38.1;
264/112-113, 308, 401, 497, 642;
425/162, 173, 375; D20/18; 118/46

See application file for complete search history.

(56) **References Cited**

U.S. PATENT DOCUMENTS

D370,690	S	*	6/1996	Pangburn et al.	D18/56
D442,625	S	*	5/2001	Chiba et al.	D18/50
D558,261	S	*	12/2007	Hong et al.	D18/50
D562,380	S	*	2/2008	Kato et al.	D18/50
D677,723	S	*	3/2013	Buel et al.	D18/59
D688,741	S	*	8/2013	Joyce	D18/50
D713,270	S	*	9/2014	Chandran	D10/40

* cited by examiner

Primary Examiner — Cathy A MacCormac
(74) *Attorney, Agent, or Firm* — Strategic Patents, P.C.

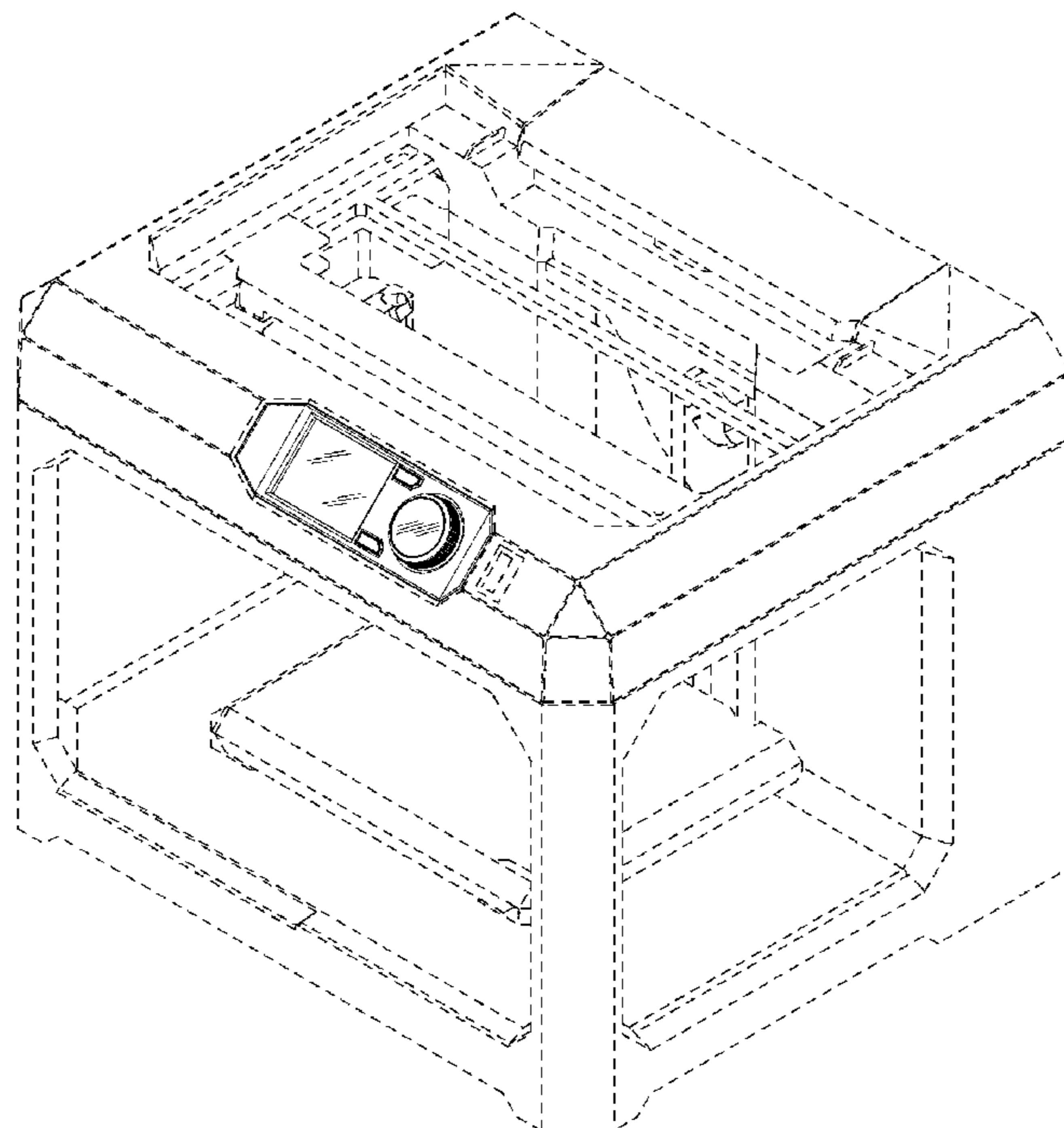
(57) **CLAIM**

The ornamental design for a three-dimensional printer frame user interface, as shown and described.

DESCRIPTION

FIG. 1 is a front perspective view of a design for a three-dimensional printer frame user interface.
FIG. 2 is a left side view of the design.
FIG. 3 is a right side view of the design.
FIG. 4 is a front view of the design.
FIG. 5 is a back view of the design.
FIG. 6 is a top view of the design; and,
FIG. 7 is a bottom view of the design.
The broken lines showing portions of the three-dimensional printer frame user interface are for illustrative purposes only and form no part of the claimed design.

1 Claim, 7 Drawing Sheets



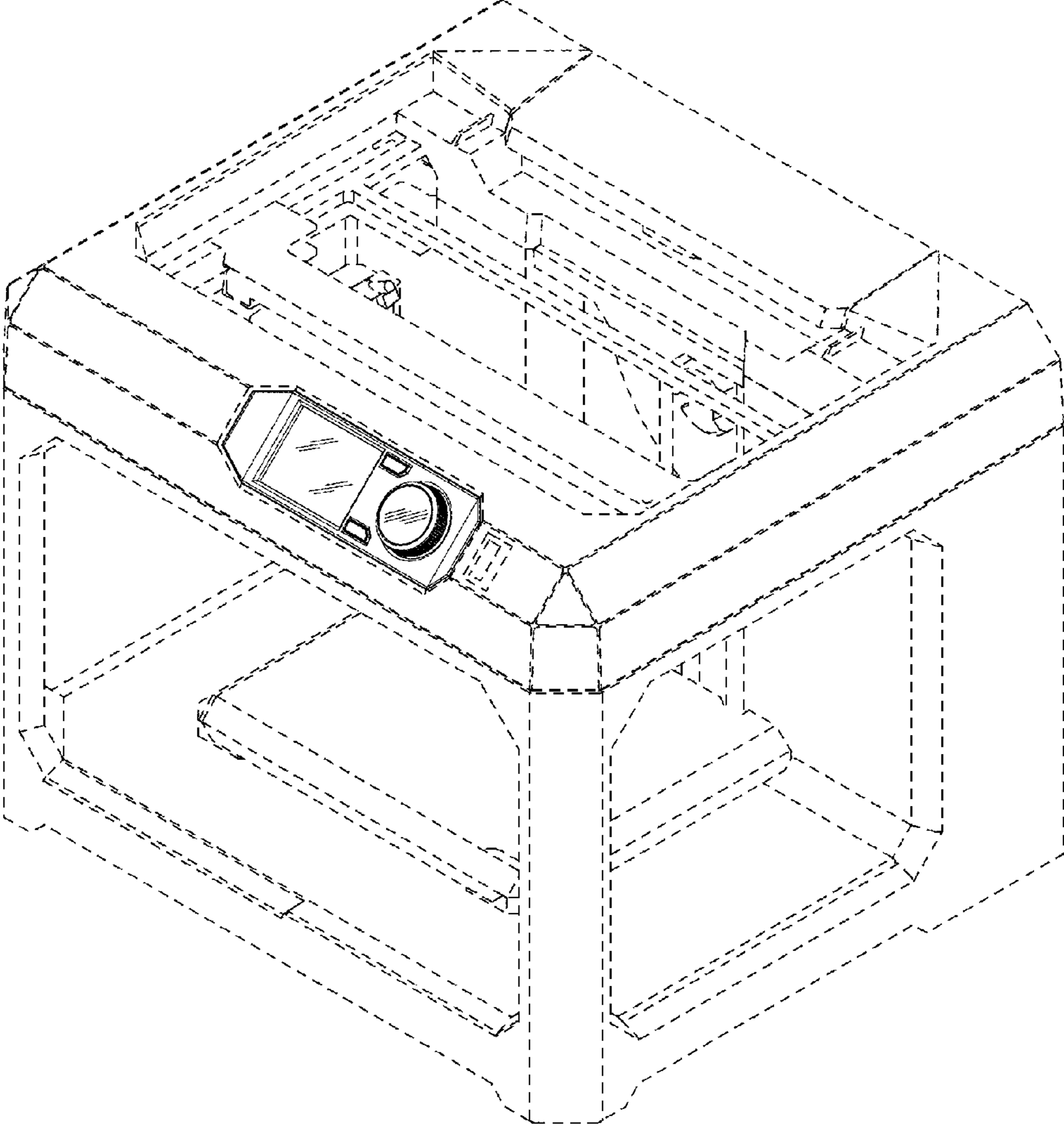


FIG. 1

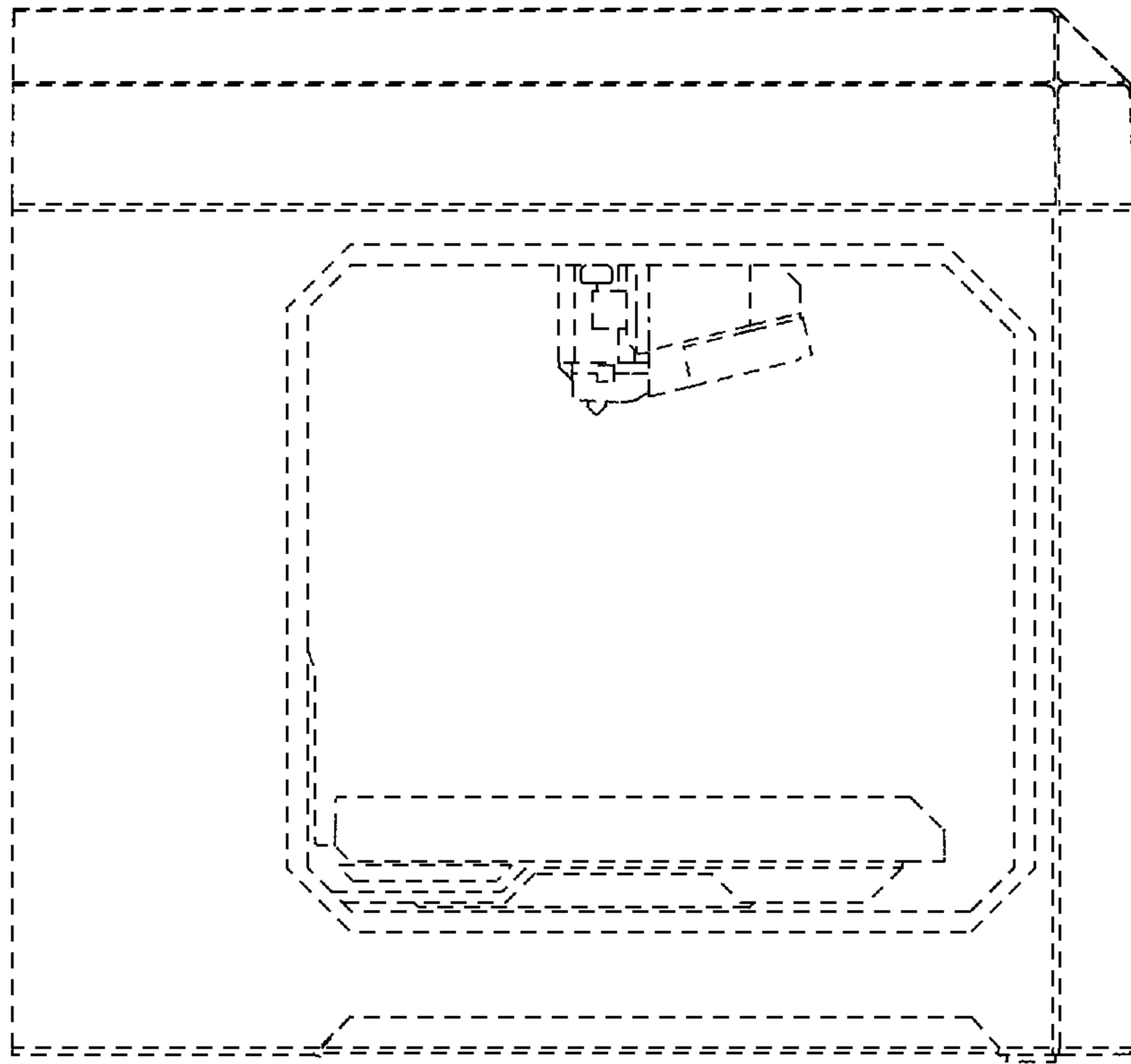


FIG. 2

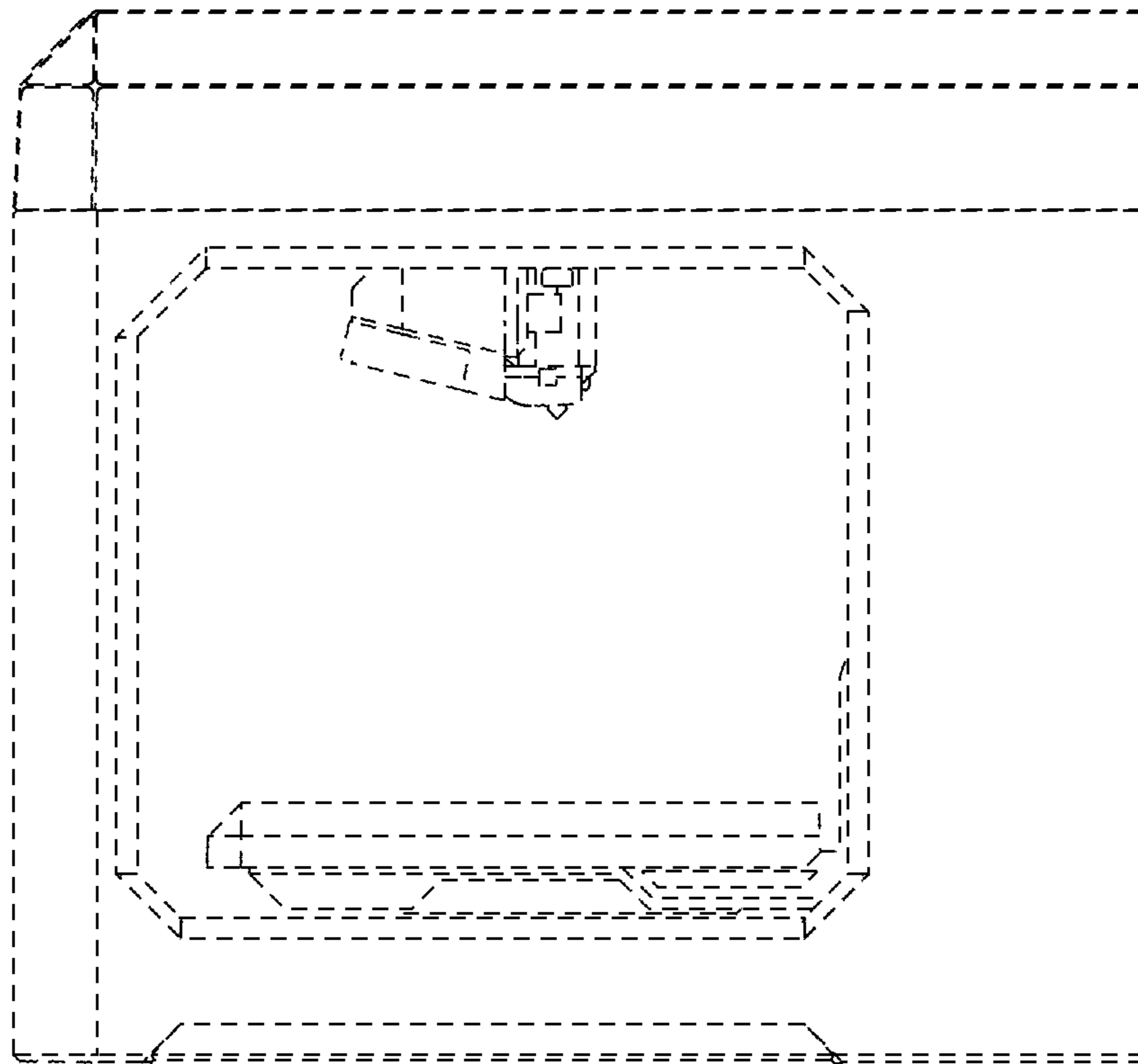


FIG. 3

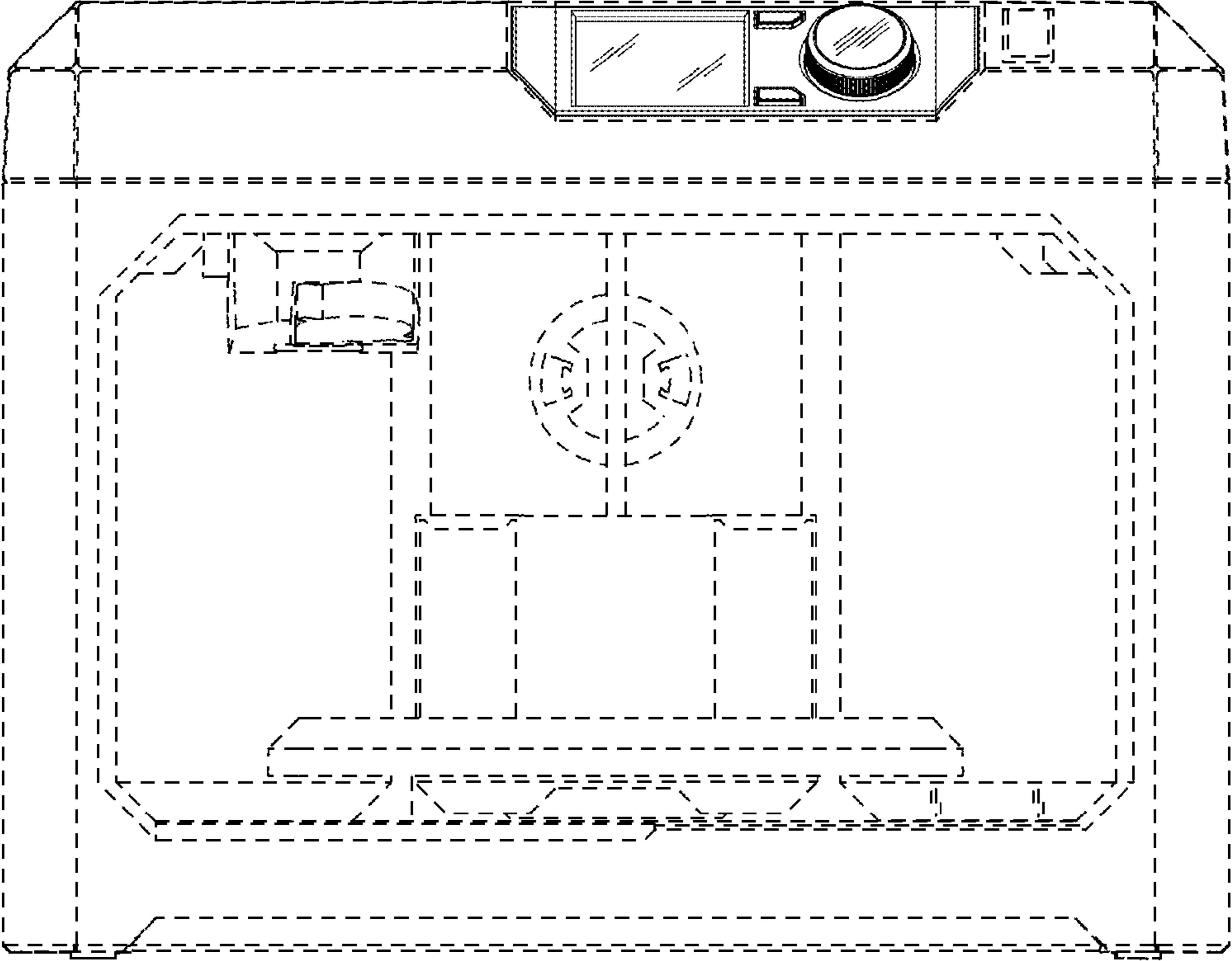


FIG. 4

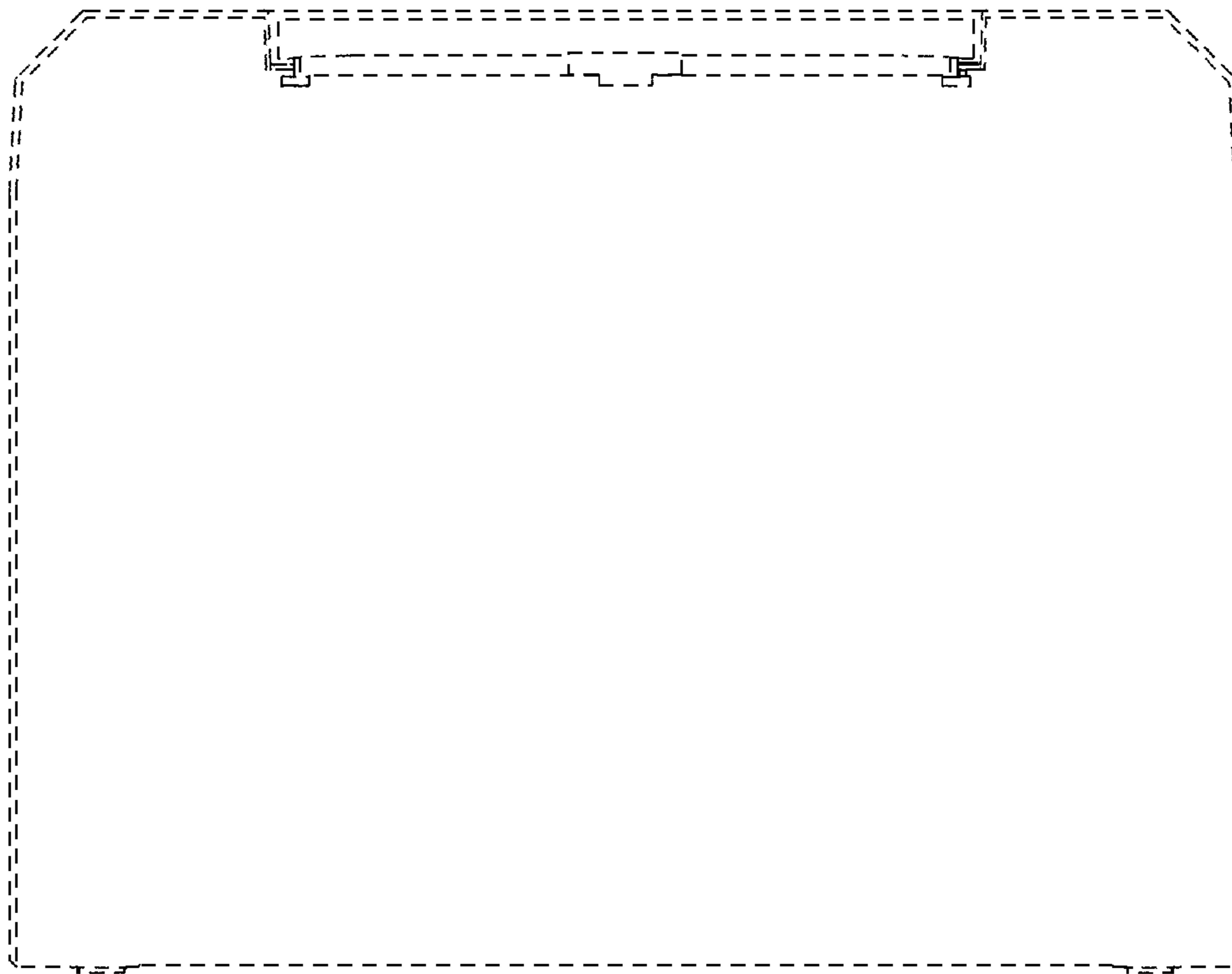


FIG. 5

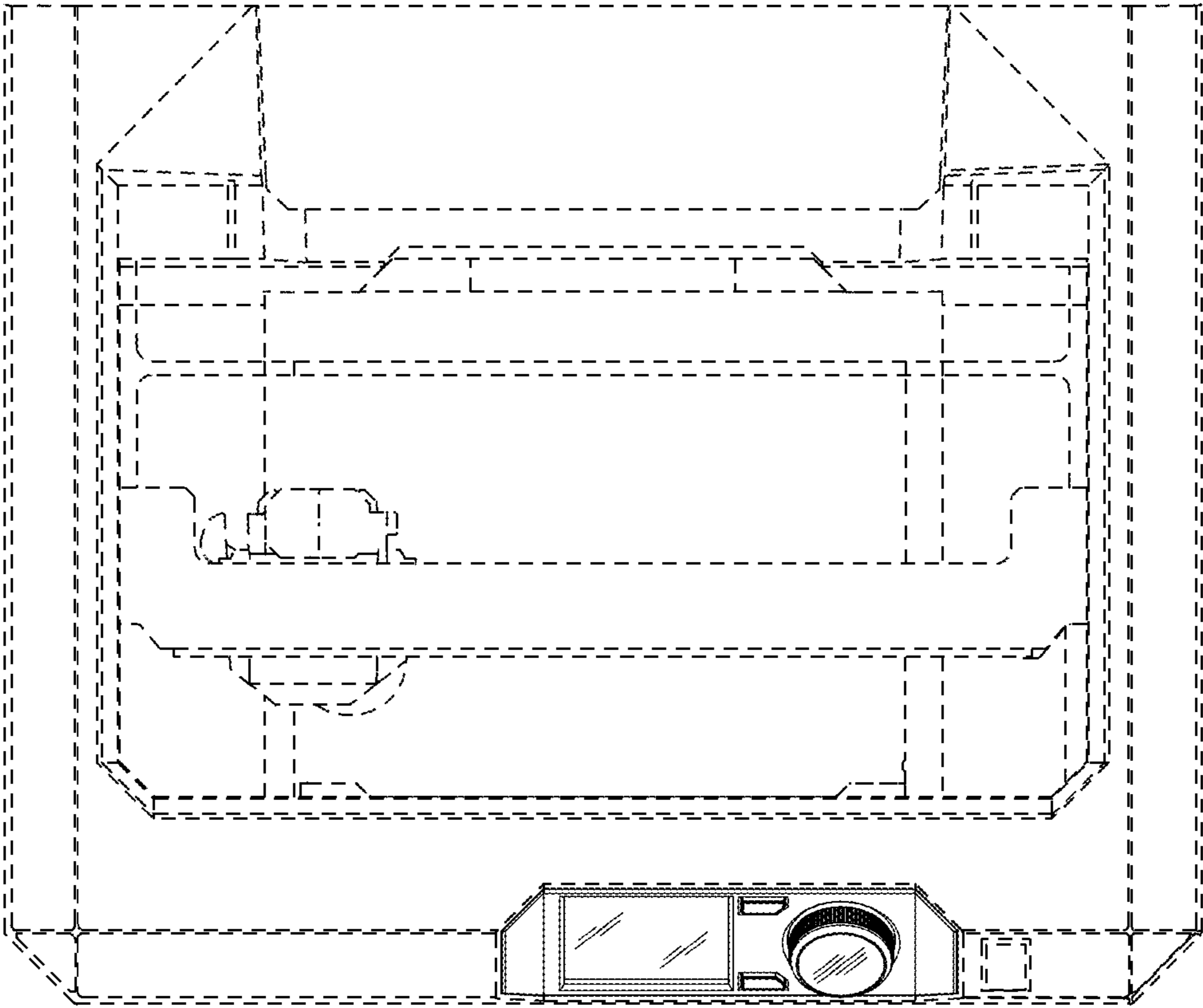


FIG. 6

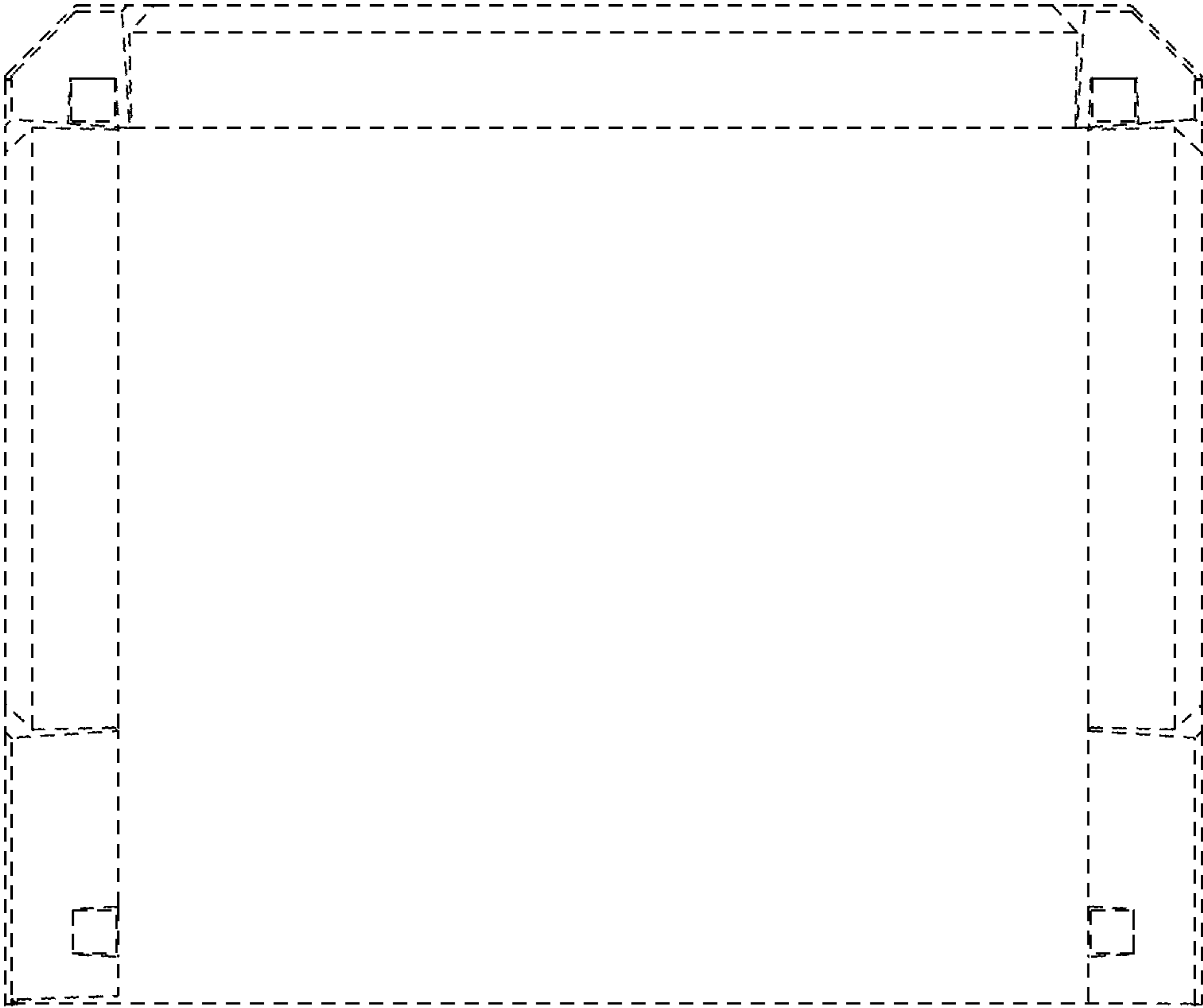


FIG. 7