



US00D730978S

(12) **United States Design Patent**
Kinoshita et al.

(10) **Patent No.:** **US D730,978 S**
(45) **Date of Patent:** **** Jun. 2, 2015**

(54) **PRINTER**

(56)

References Cited

(71) Applicant: **SEIKO EPSON CORPORATION,**
Tokyo (JP)

(72) Inventors: **Yoshiki Kinoshita,** Suwa (JP); **Ayumu Nakamura,** Matsumoto (JP); **Akio Nomura,** Shiojiri (JP)

(73) Assignee: **SEIKO EPSON CORPORATION,**
Tokyo (JP)

(**) Term: **14 Years**

(21) Appl. No.: **29/467,415**

(22) Filed: **Sep. 18, 2013**

(30) **Foreign Application Priority Data**

Apr. 15, 2013 (JP) 2013-008405

(51) **LOC (10) Cl.** **14-02**

(52) **U.S. Cl.**
USPC **D18/50**

(58) **Field of Classification Search**
USPC D18/50, 54, 54.1, 55, 14, 19; 400/613,
400/613.1-613.4, 690.1-691.4, 691-694
See application file for complete search history.

U.S. PATENT DOCUMENTS

D376,384 S *	12/1996	Woei-Fang	D18/55
D522,571 S *	6/2006	Senda et al.	D18/54
D523,072 S *	6/2006	Lee et al.	D18/14
D538,839 S *	3/2007	Moskaluk et al.	D18/14
D641,039 S *	7/2011	Kimura et al.	D18/55
D685,415 S *	7/2013	Kinoshita et al.	D18/54
8,616,793 B2 *	12/2013	Kasugai et al.	400/613
D706,341 S *	6/2014	Kano et al.	D18/19

* cited by examiner

Primary Examiner — Cathy A MacCormac

(57)

CLAIM

The ornamental design for a printer, as shown and described.

DESCRIPTION

FIG. 1 is a front, top and right side perspective view of a printer showing our new design; FIG. 2 is a rear, bottom and left side perspective view thereof; FIG. 3 is a front view thereof; FIG. 4 is a rear view thereof; FIG. 5 is a top plan view thereof; FIG. 6 is a bottom plan view thereof; FIG. 7 is a right side view thereof; and, FIG. 8 is a left side view thereof. The features shown in broken lines in the drawings depict environmental subject matter only and form no part of the claimed design.

1 Claim, 8 Drawing Sheets

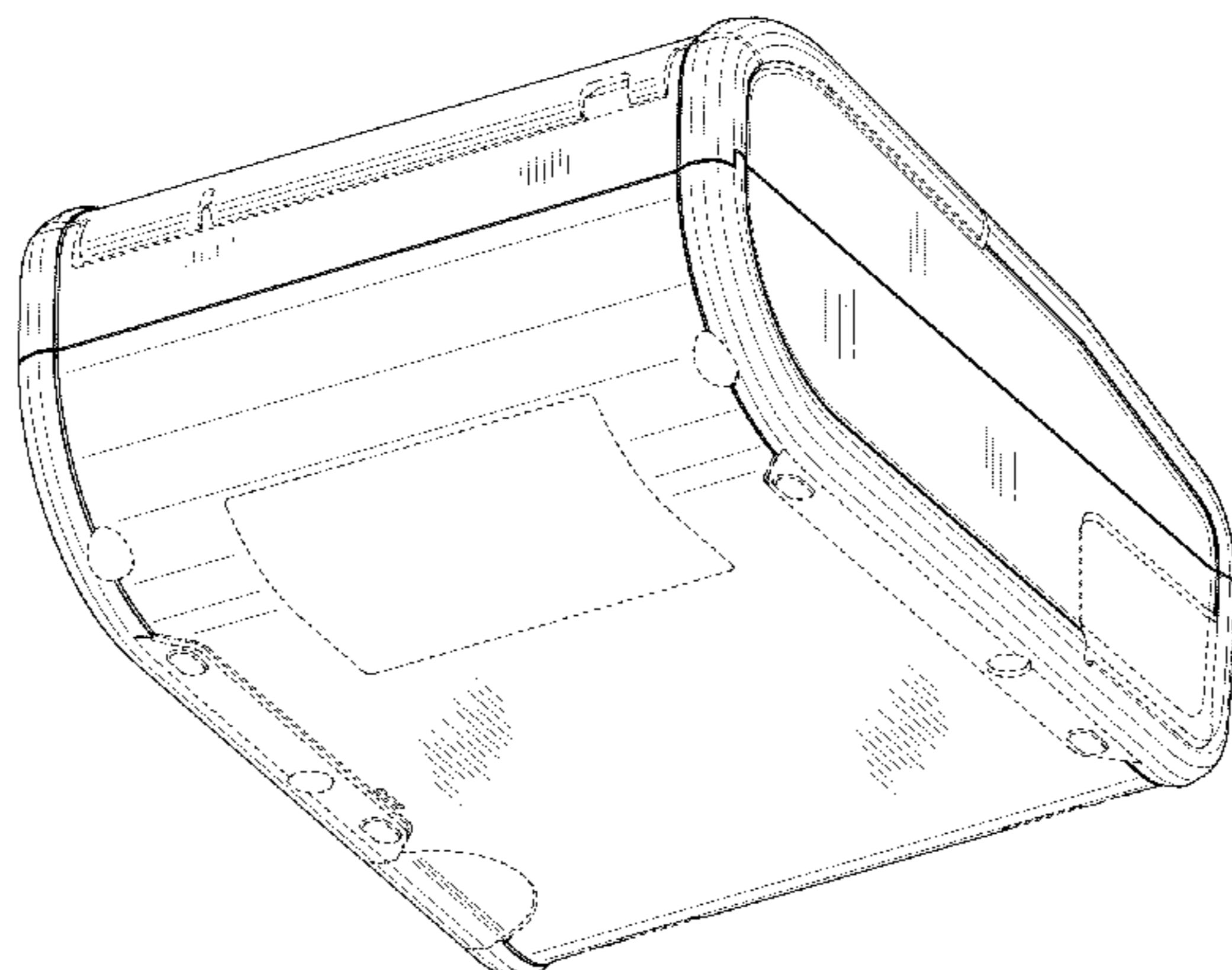
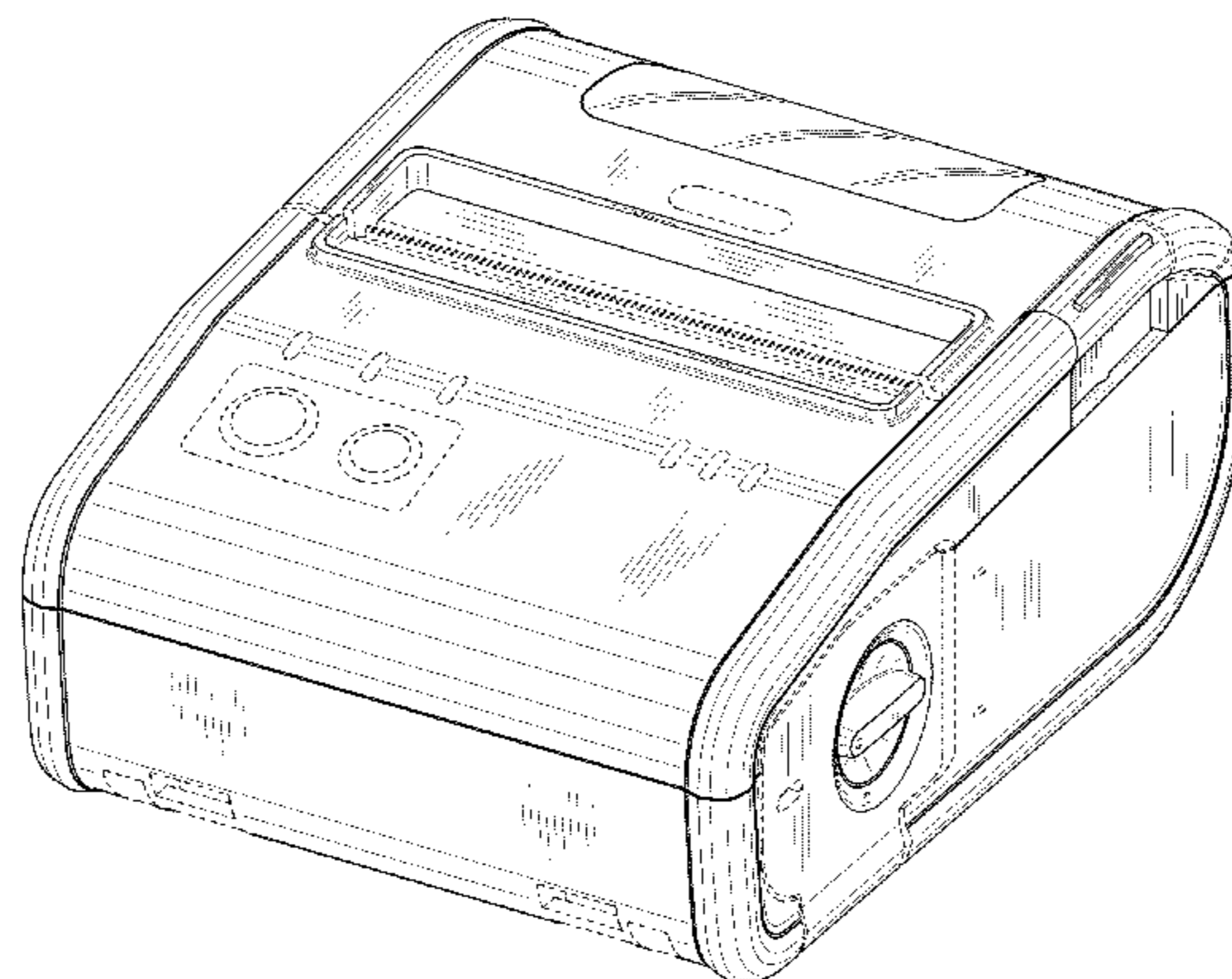


Fig.1

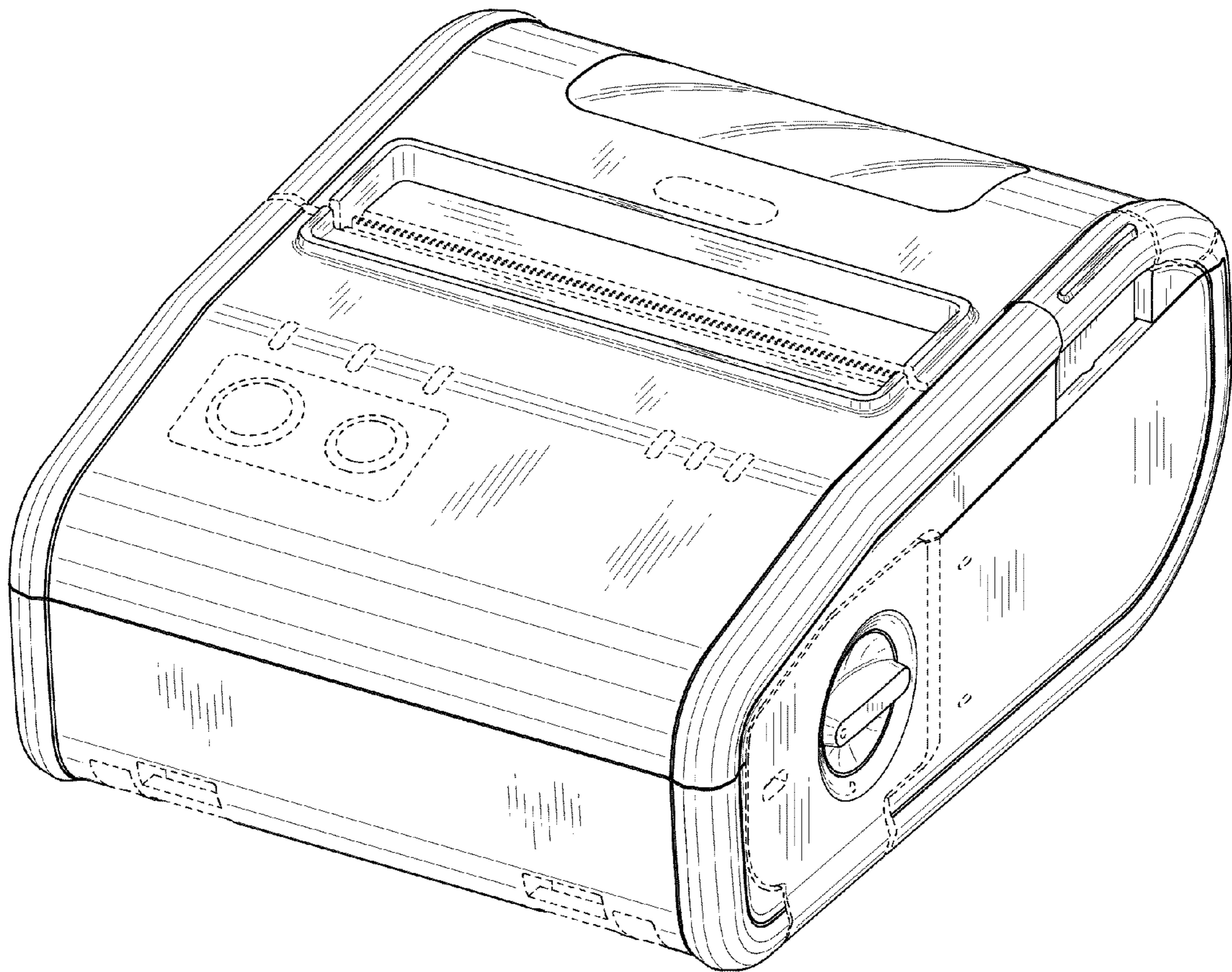


Fig.2

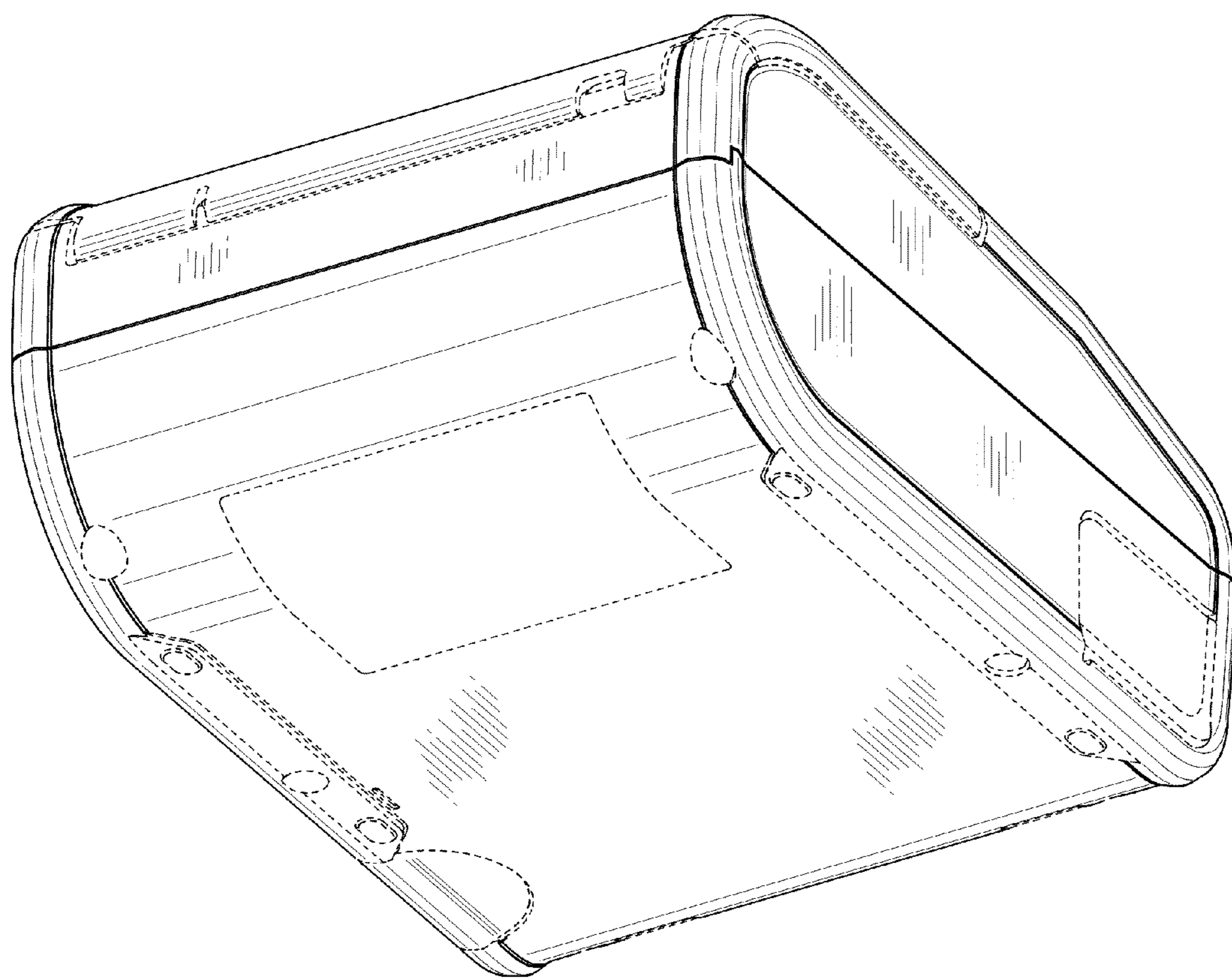


Fig.3

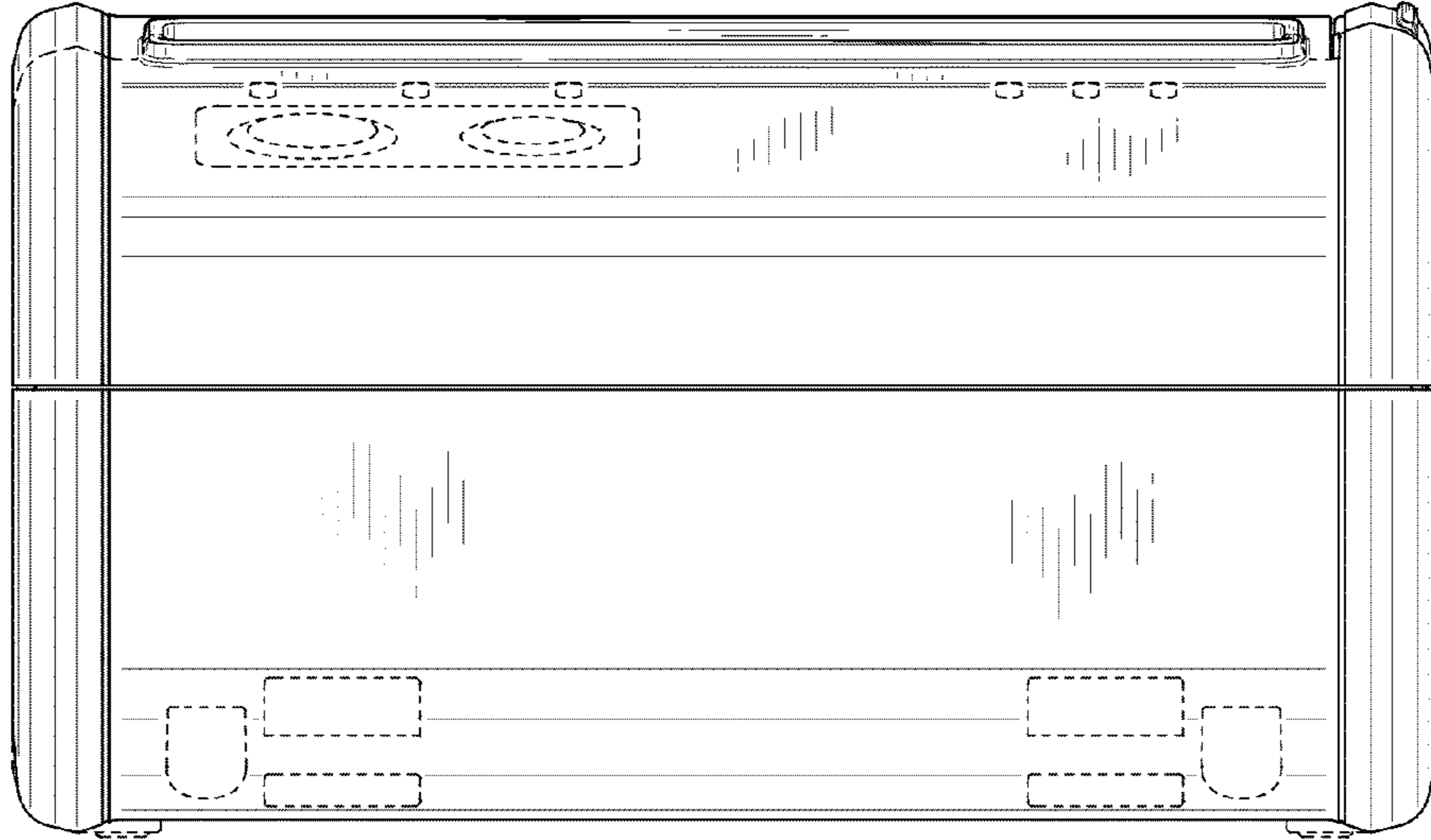


Fig.4

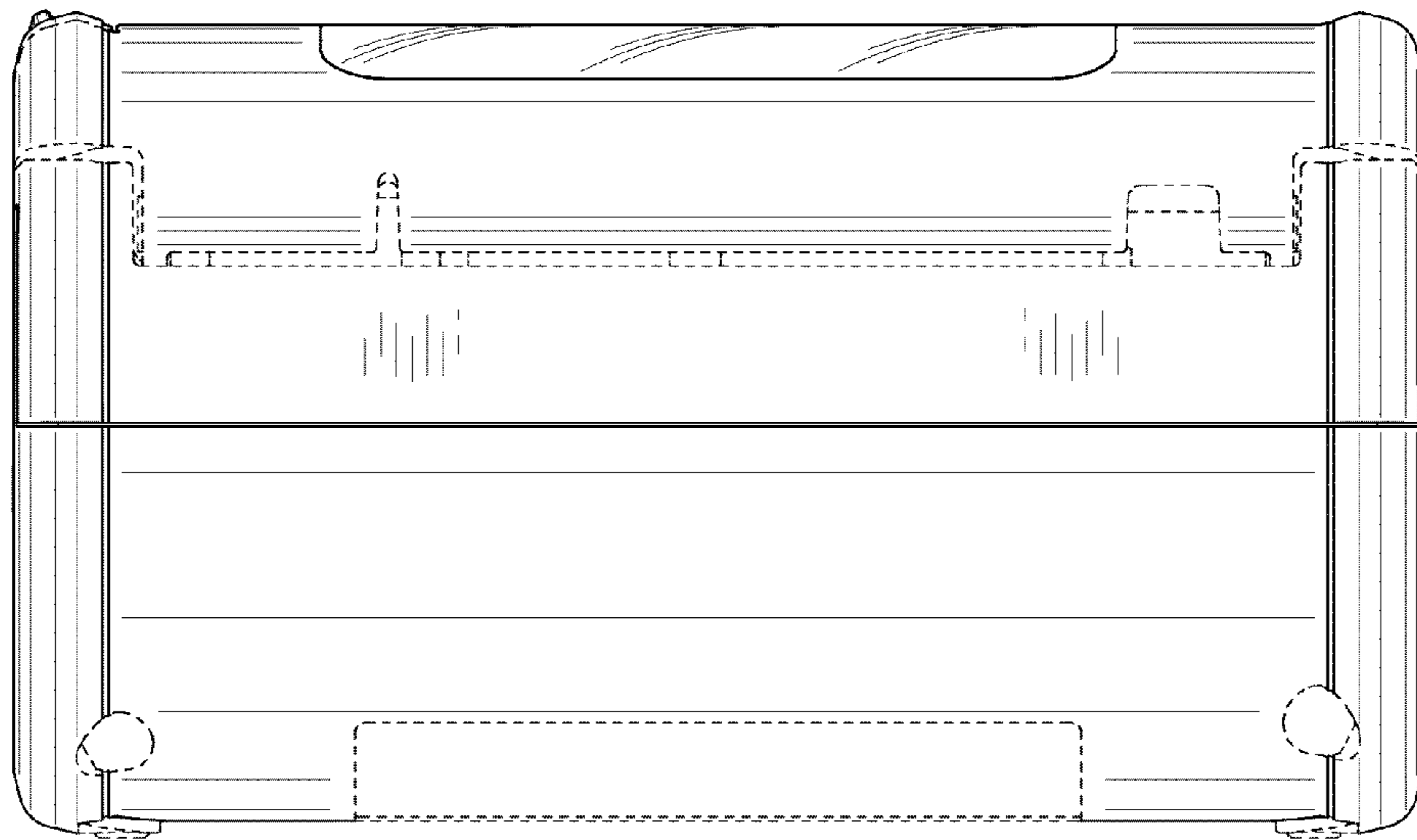


Fig.5

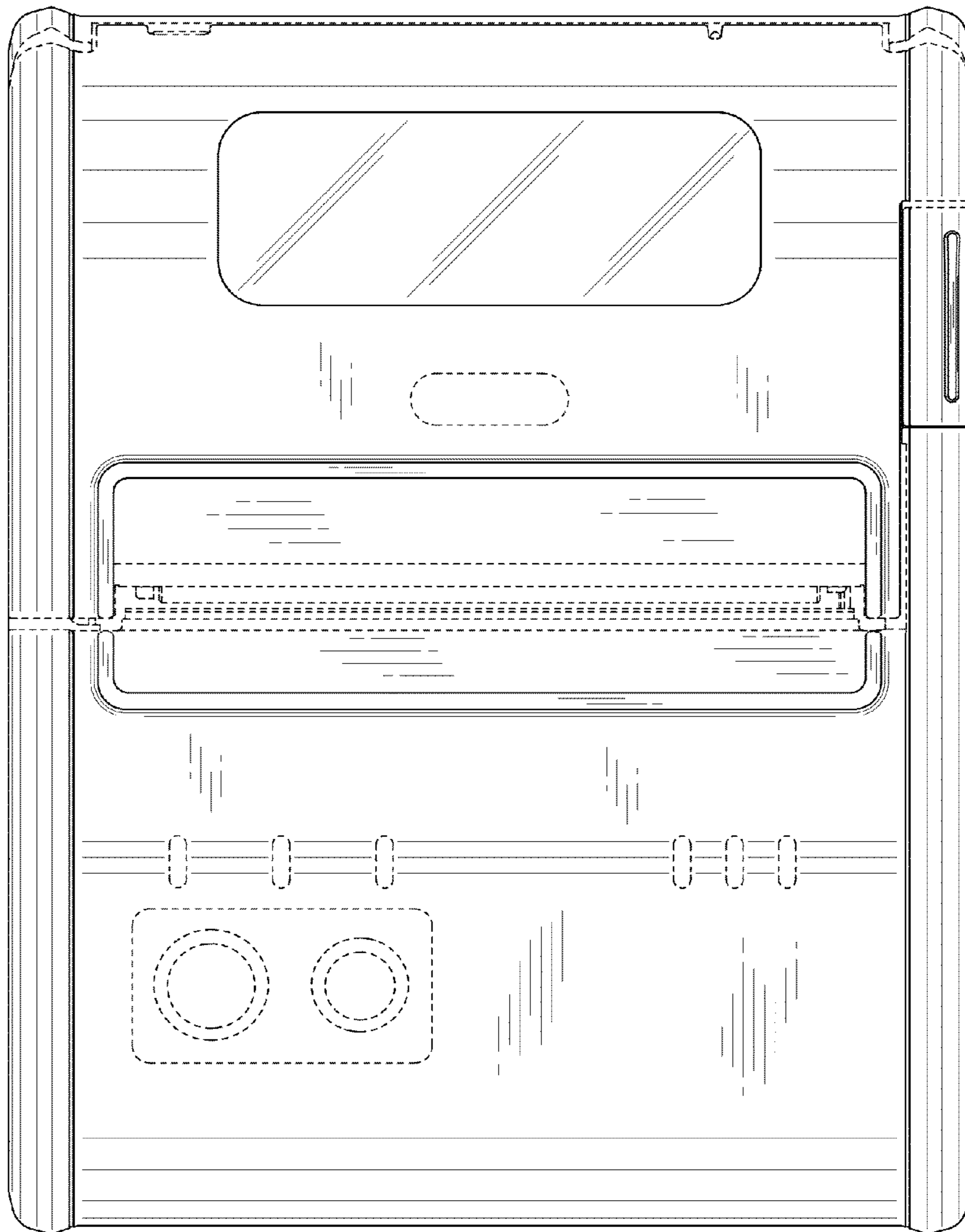


Fig.6

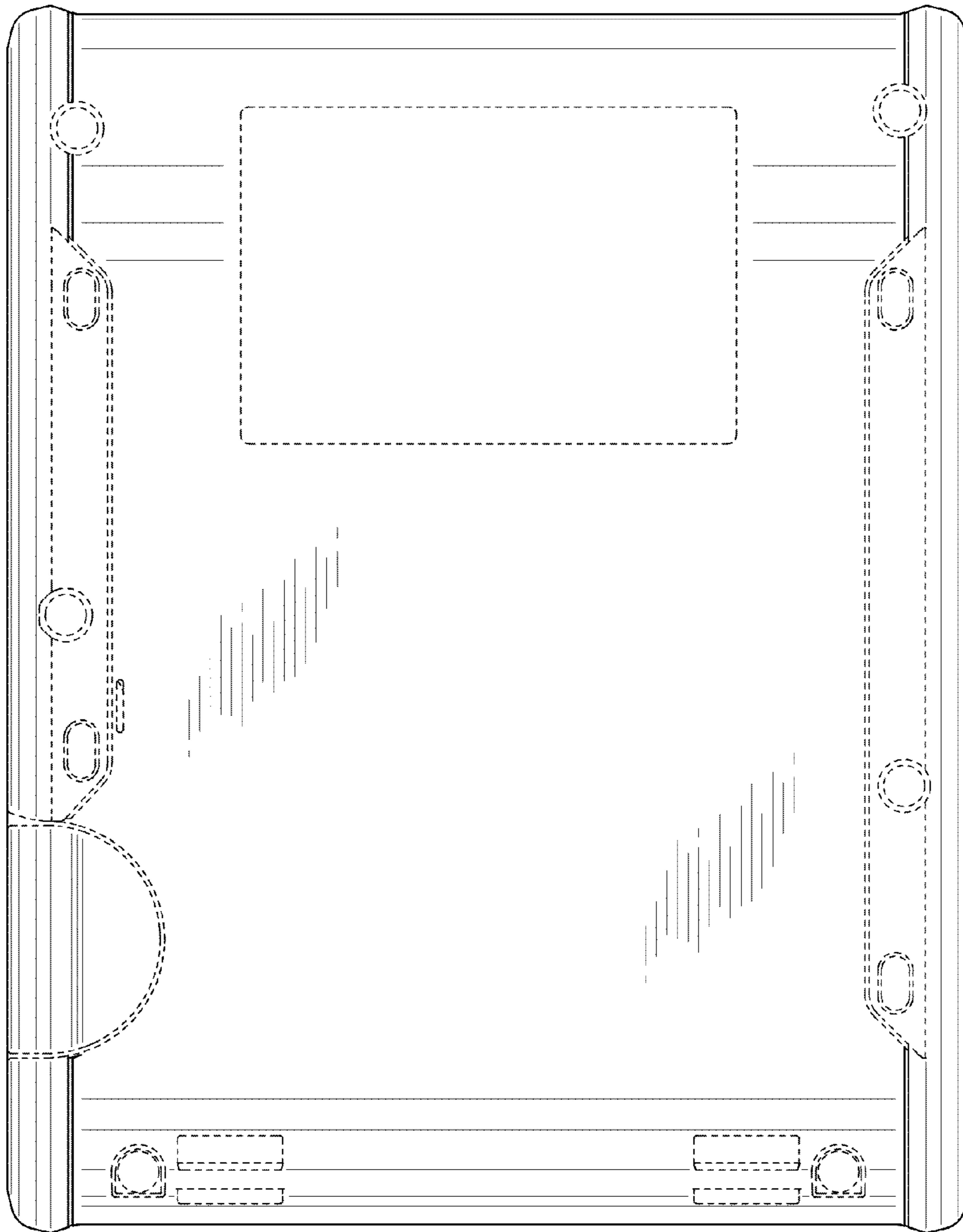


Fig.7

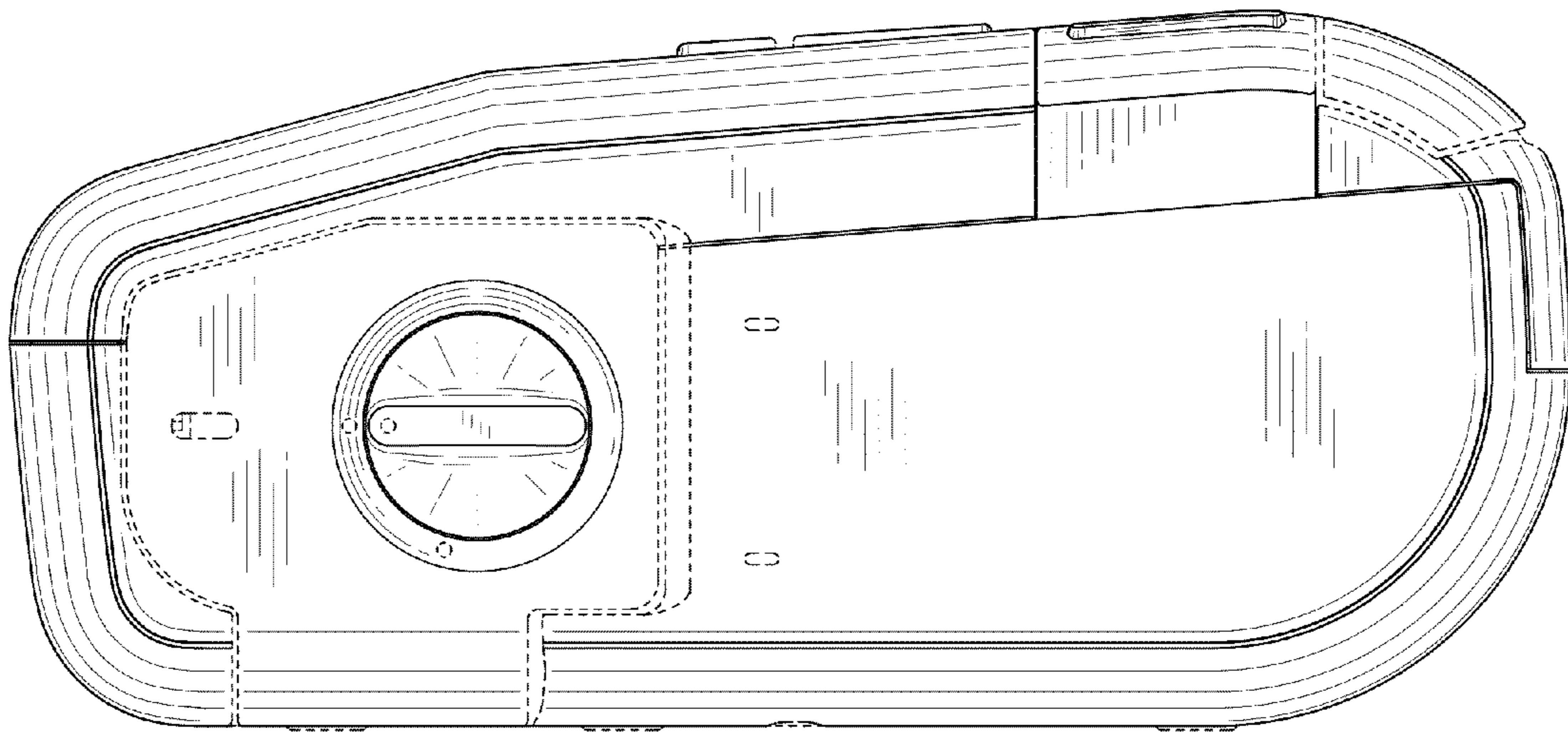


Fig.8

