



US00D730974S

(12) **United States Design Patent**
Lytton et al.

(10) **Patent No.:** **US D730,974 S**
(45) **Date of Patent:** **** Jun. 2, 2015**

(54) **CLIP-ON BELAY GLASSES**

(71) Applicants: **Elyn E. Lytton**, Firestone, CO (US);
Chad E. Dewey, Omaha, NE (US); **Alan R. Lytton**, Firestone, CO (US)

(72) Inventors: **Elyn E. Lytton**, Firestone, CO (US);
Chad E. Dewey, Omaha, NE (US); **Alan R. Lytton**, Firestone, CO (US)

(73) Assignee: **Belay Optics LLC**, Firestone, CO (US)

(**) Term: **14 Years**

(21) Appl. No.: **29/482,060**

(22) Filed: **Feb. 13, 2014**

(51) **LOC (10) Cl.** **16-06**

(52) **U.S. Cl.**

USPC **D16/300**; D16/309; D16/900

(58) **Field of Classification Search**

USPC D16/101, 300–342, 900; D29/109–110;
351/41, 44–46, 51–52, 62, 158, 92,
351/103–123, 140–153, 63, 59, 156; 2/13,
2/15, 426–432, 447–449, 441, 434–437;
D21/483, 659–661
CPC G02C 2200/08; G02C 1/06; G02C 11/02;
G02C 11/04

See application file for complete search history.

(56) **References Cited**

U.S. PATENT DOCUMENTS

4,679,916 A * 7/1987 Roller et al. 2/426
5,173,720 A * 12/1992 Lee et al. 351/50
5,760,865 A * 6/1998 Webster 351/41
D691,191 S * 10/2013 Aalam D16/300

* cited by examiner

Primary Examiner — Raphael Barkai

(74) *Attorney, Agent, or Firm* — Mersenne Law LLP

(57) **CLAIM**

We claim the ornamental design for clip-on belay glasses, as shown and described.

DESCRIPTION

FIG. 1 shows a perspective view of the invention, attached to a sample pair of eyeglasses.

FIG. 2 is a second perspective view of the invention attached to a sample pair of eyeglasses. This figure depicts the embodiment as seen from below and to the side.

FIG. 3 is a perspective view, shown without eyeglasses.

FIG. 4 is a front view of the invention.

FIG. 5 is a top view of the invention.

FIG. 6 is a back view of the invention (i.e., as seen from the viewpoint of the eyeglass wearer).

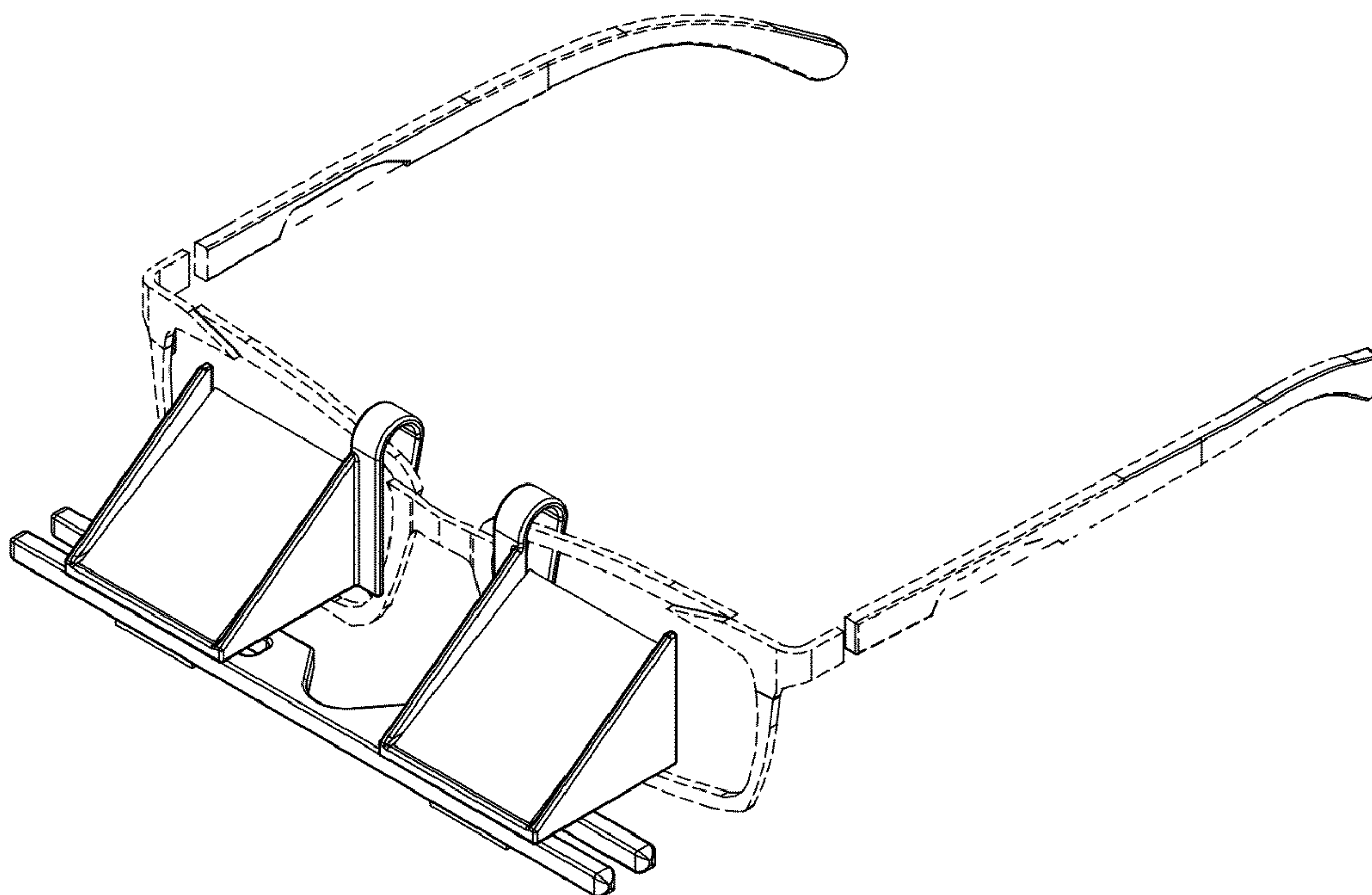
FIG. 7 is a bottom view of the invention.

FIG. 8 is a left side view of the invention. The right side is substantially a mirror image of the left side; and,

FIG. 9 is an exploded view, showing right and left optical prisms, right and left prism supports/eyeglass clips; and transverse support.

Dashed lines (e.g., the eyeglasses of FIGS. 1 and 2) are directed to environment and form no part of the invention.

1 Claim, 4 Drawing Sheets



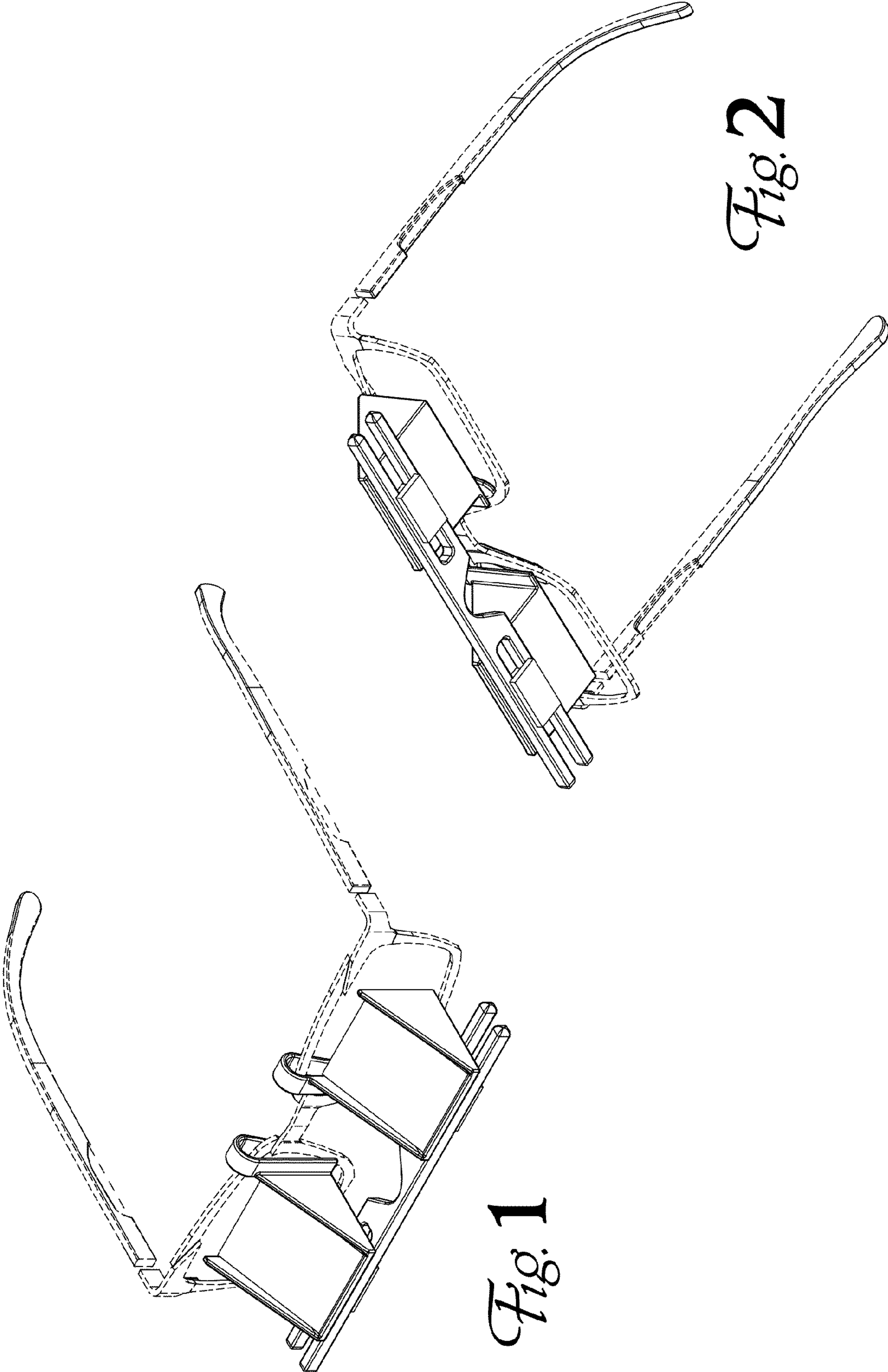


Fig. 1

Fig. 2

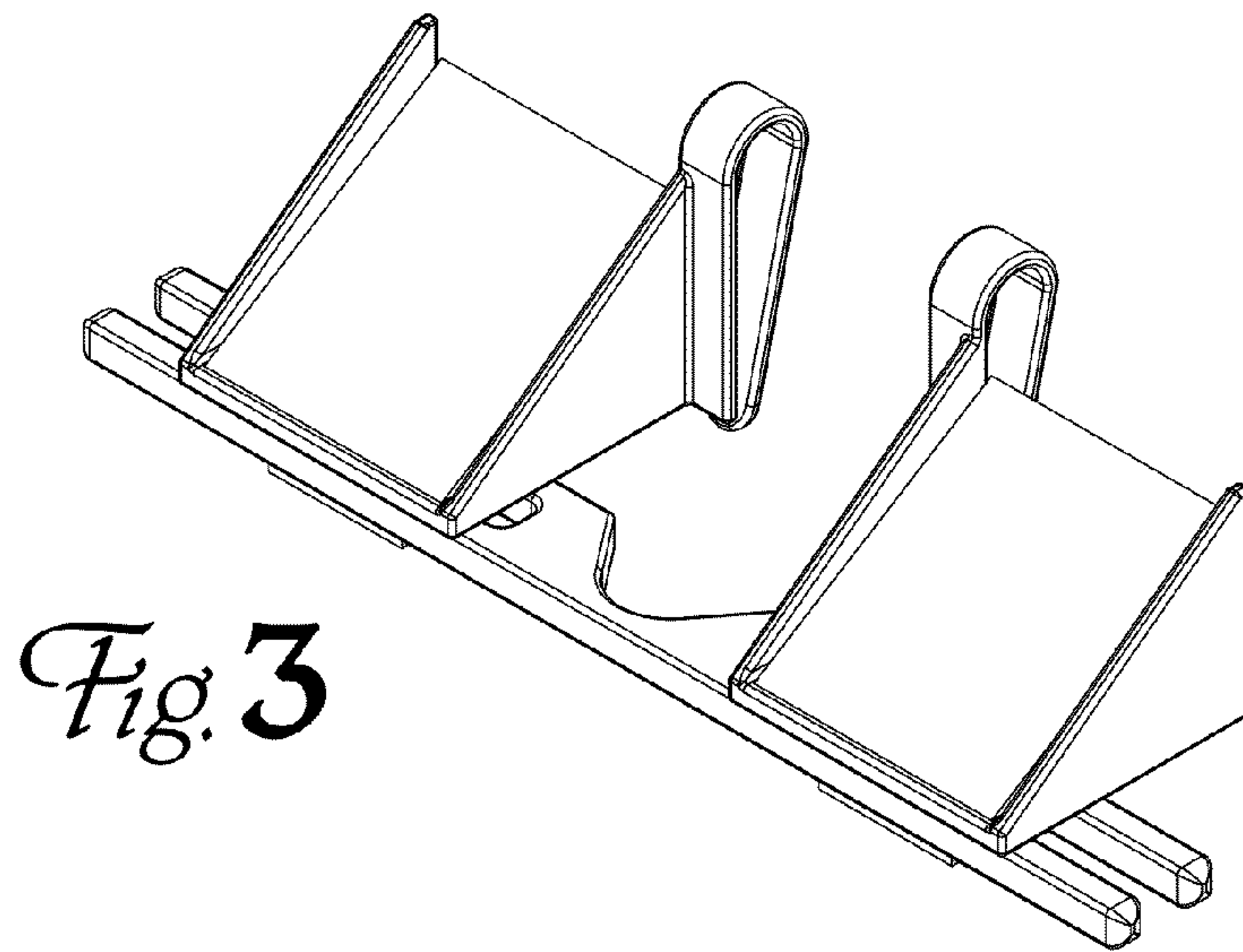


Fig. 3

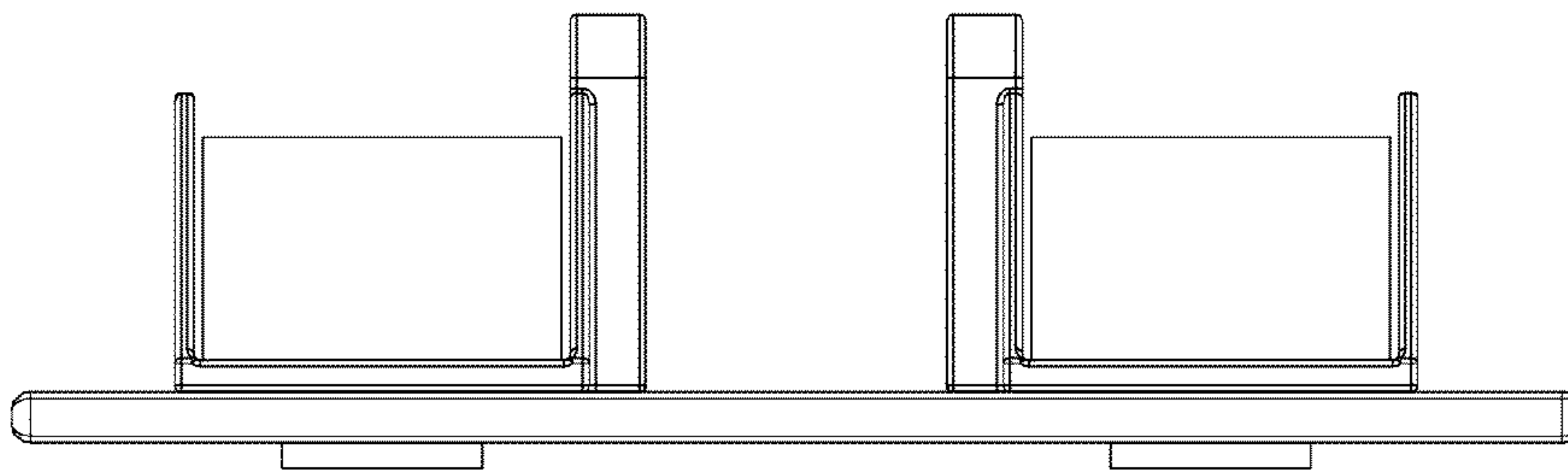


Fig. 4

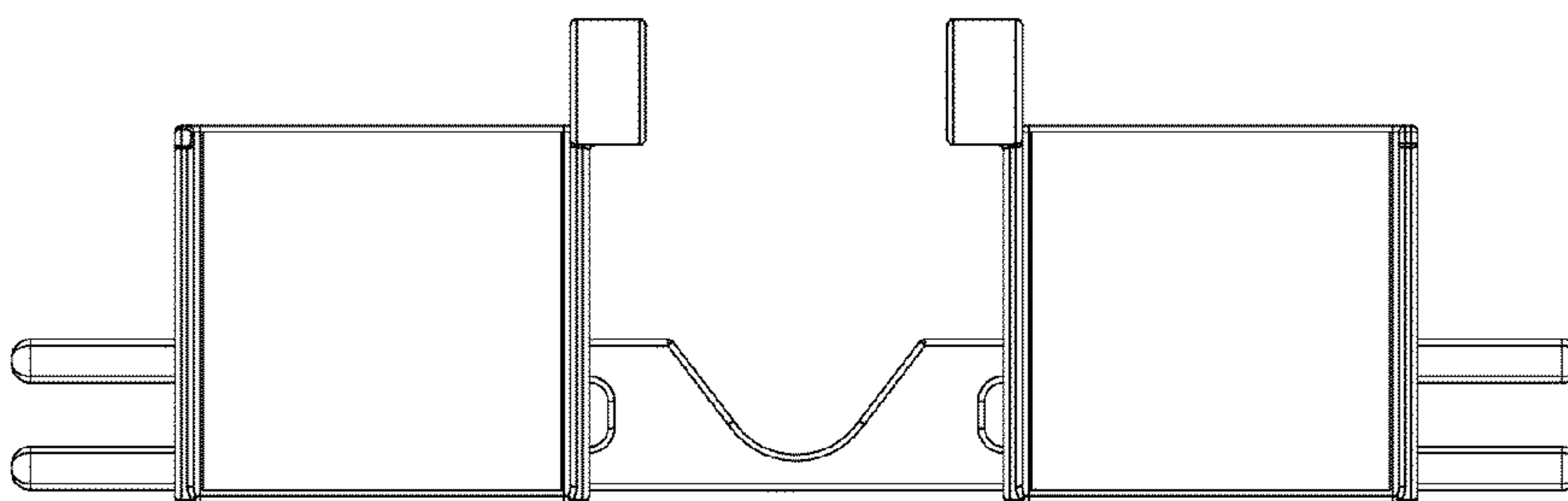


Fig. 5

Fig. 6

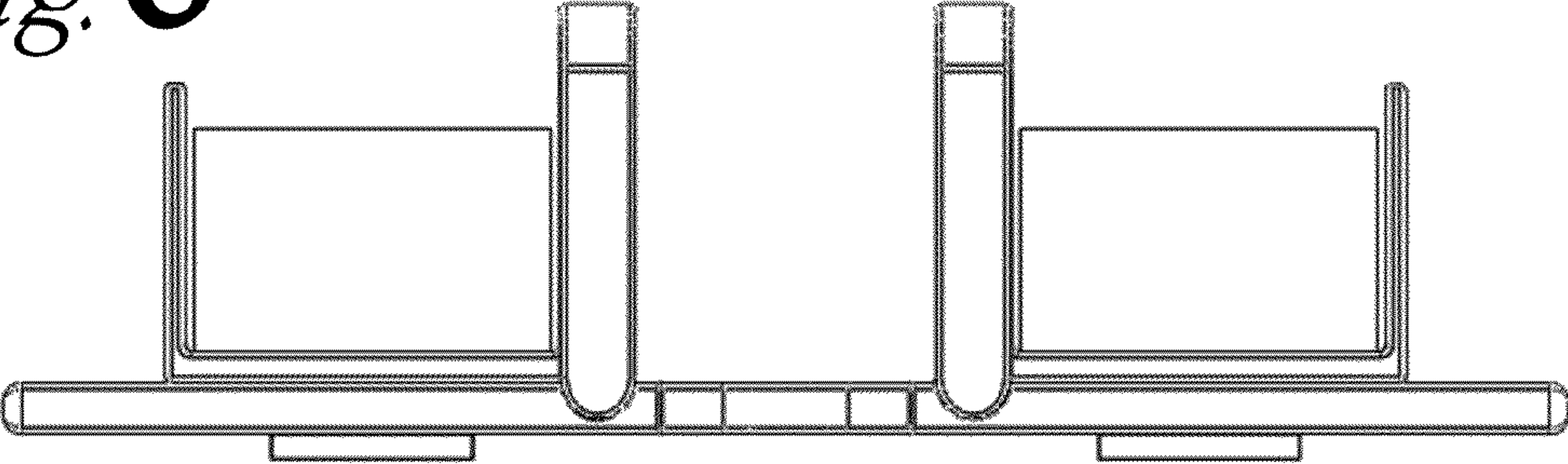


Fig. 7

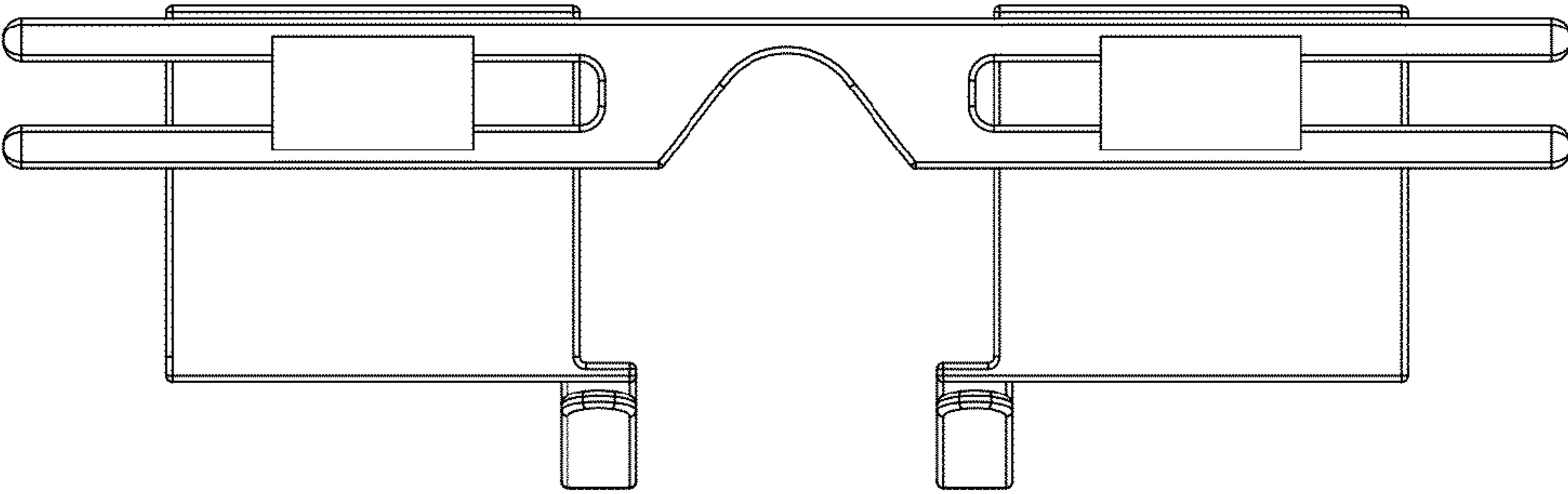
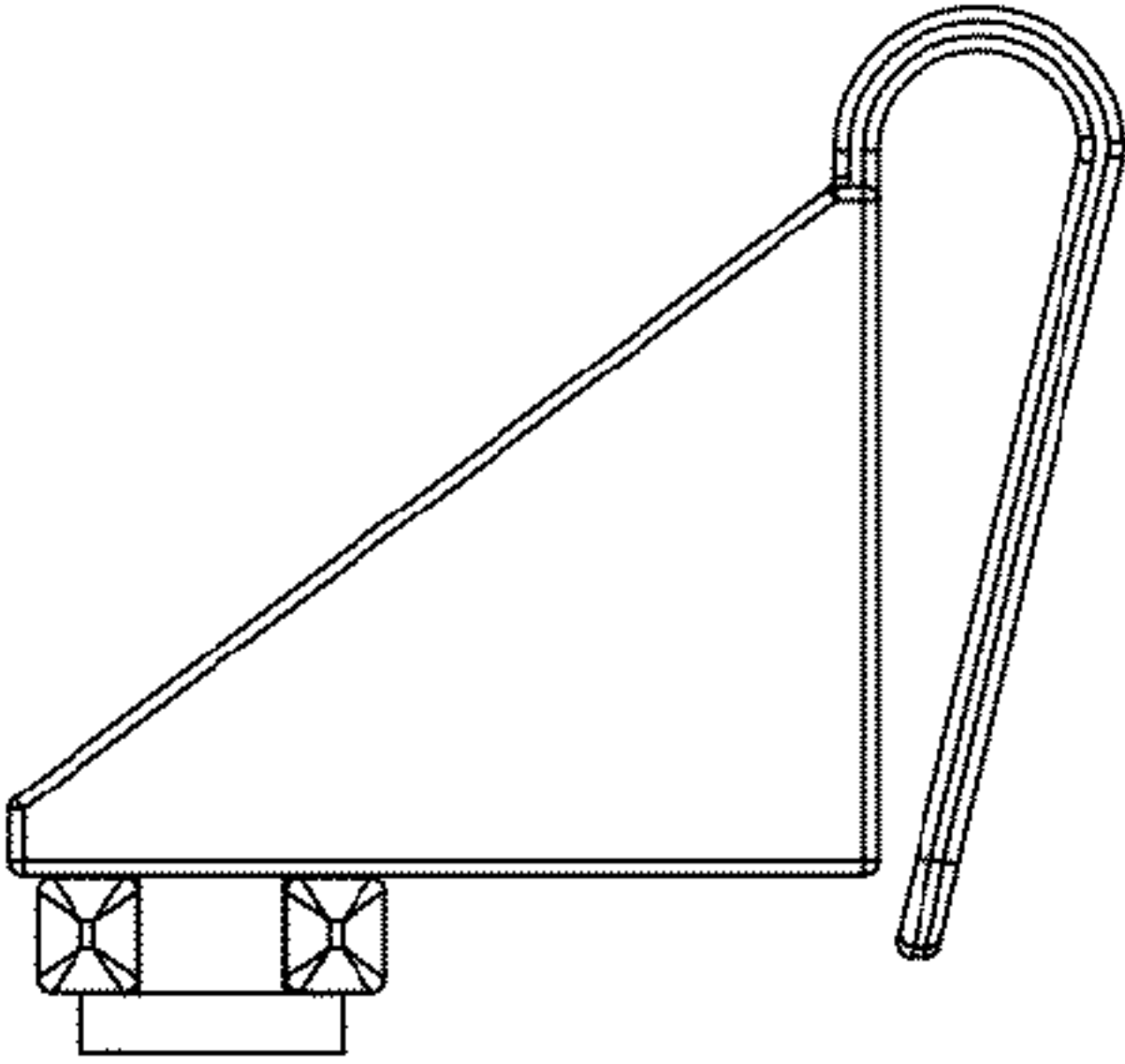


Fig. 8



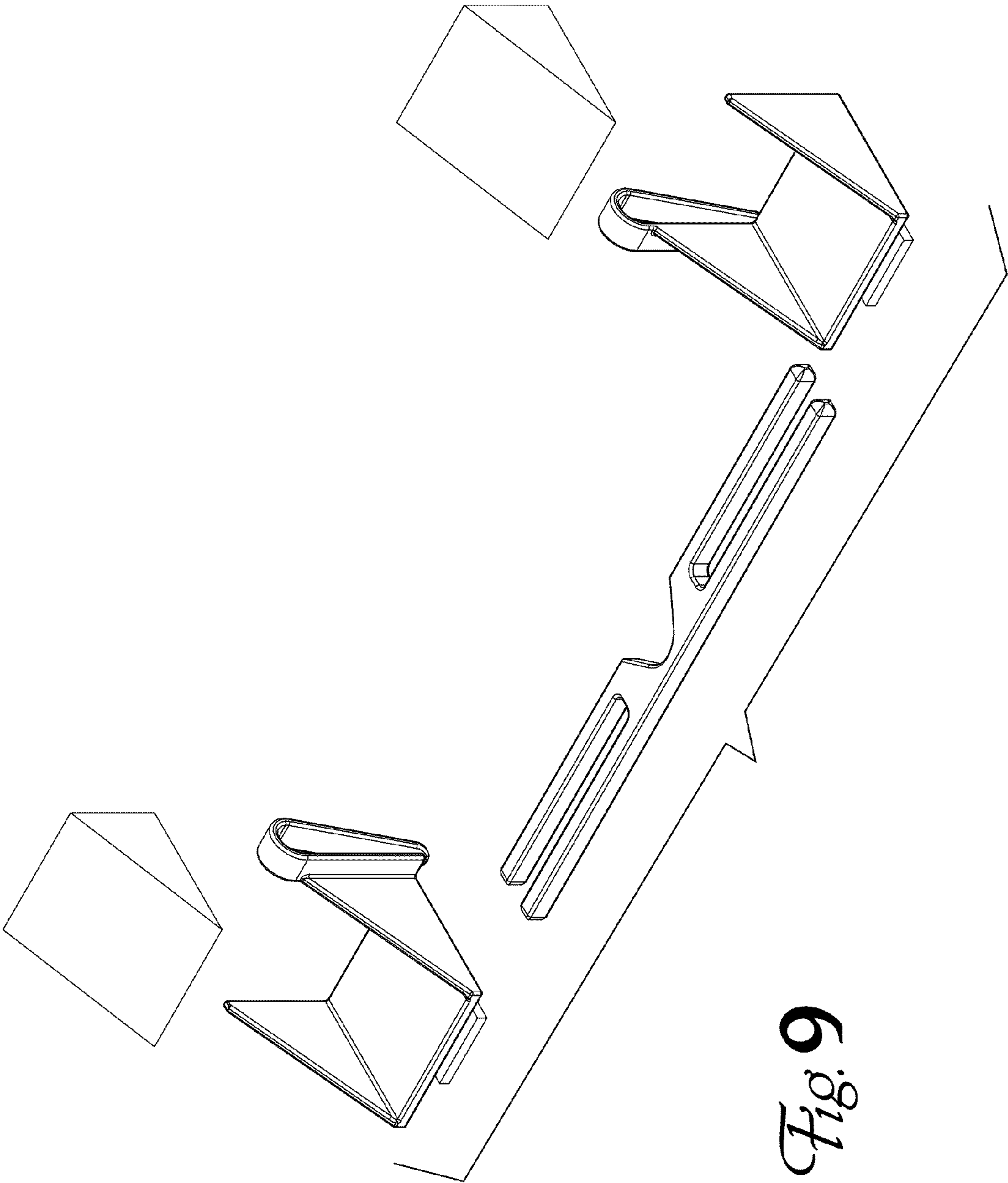


Fig. 9