

US00D730973S

(12) **United States Design Patent**
Orton et al.

(10) **Patent No.:** **US D730,973 S**
(45) **Date of Patent:** **** Jun. 2, 2015**

(54) **ONE-HANDED DEVICE ACTIVATION APPARATUS**

FOREIGN PATENT DOCUMENTS

(71) Applicant: **KNEKT Industries Ltd.**, Kailua, HI (US)

WO WO2012052732 A1 4/2012
WO WO2013066728 A1 5/2013

(72) Inventors: **Benjamin Bodi Orton**, Clearlake, WA (US); **Kyle Christopher Maligro**, Kalaheo, HI (US); **Harry Reed Antipala**, Kailua, HI (US)

OTHER PUBLICATIONS

Knekt GPLT Trigger. [online] Retrieved Jan. 7, 2015 from URL: <<http://www.kenkotokinausa.com/knekt/products/triggerhandles/knektgplttrigger/>>.*

(73) Assignee: **KNEKT INDUSTRIES LTD**, Kailua, HI (US)

Primary Examiner — Susan Bennett Hattan

Assistant Examiner — Vy Koenig

(**) Term: **14 Years**

(74) *Attorney, Agent, or Firm* — Ash Tankta; Lipton, Weinberger & Husick

(21) Appl. No.: **29/486,720**

(22) Filed: **Apr. 2, 2014**

(51) **LOC (10) Cl.** **16-05**

(52) **U.S. Cl.**

USPC **D16/243**

(58) **Field of Classification Search**

USPC D16/205, 208, 211, 214, 218–220, 235, D16/237–250, 302, 303; D8/354, 363, 394, D8/395; D14/217, 251, 253, 447, 452; D22/104, 105, 108

CPC G03B 17/14; G03B 17/26; G03B 17/30; G03B 17/56; G03B 17/561–17/568; G03B 21/54; F16M 11/14; F16M 11/26; F16M 13/04; H04N 5/2254; B66F 3/10

See application file for complete search history.

(56) **References Cited**

U.S. PATENT DOCUMENTS

D135,037 S *	2/1943	Munson	D16/243
D196,010 S *	8/1963	Kubnick	D16/243
D210,704 S *	4/1968	Ross et al.	D16/243
3,511,159 A *	5/1970	Hobbs, Jr.	396/426
D247,855 S *	5/1978	Schiermeier	D22/104
D270,631 S *	9/1983	Moskin et al.	D14/412
D311,198 S *	10/1990	Kosugi et al.	D16/243
D420,717 S *	2/2000	Donnelly	D22/104

(Continued)

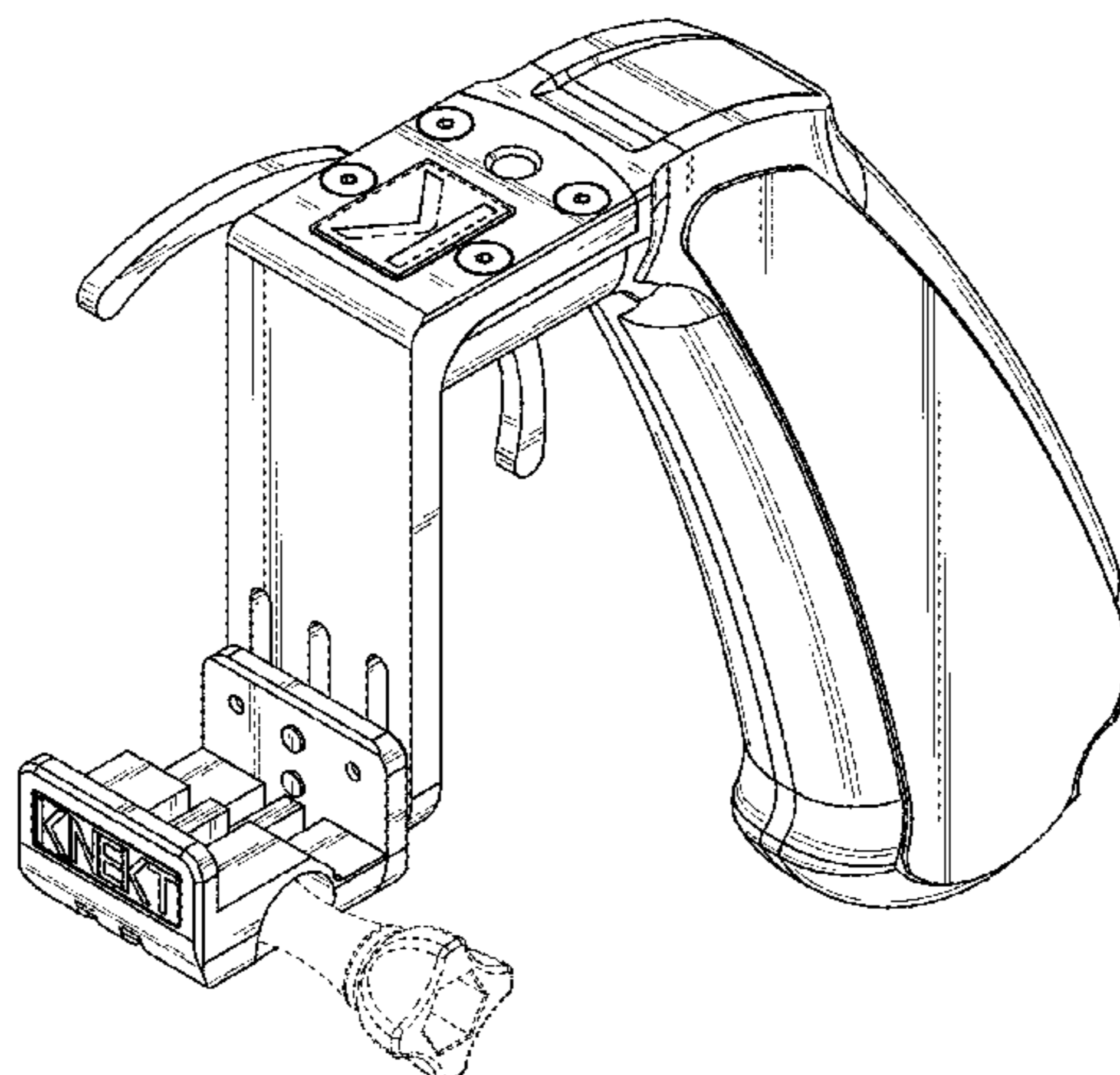
(57) **CLAIM**

The ornamental design for a one-handed device activation apparatus, as shown and described.

DESCRIPTION

FIG. 1 is a front isometric view of an ornamental design for a one-handed device activation apparatus; FIG. 2 is a front elevation view thereof; FIG. 3 is a rear elevation view thereof; FIG. 4 is a top plan view thereof; FIG. 5 is a bottom view thereof; FIG. 6 is a right side elevation view thereof; FIG. 7 is a left side elevation view thereof; and, FIG. 8 is a front isometric view thereof, showing a device, for example, a camera, positioned between adjoining gripping members of the one-handed device activation apparatus. The broken line showing of a fastener in FIGS. 1-8, the camera in FIG. 8, and the symbol “K” in FIG. 1, FIG. 4, and FIG. 8 is for the purpose of illustrating environment and forms no part of the claimed design. The mark “KNEKT” forming a part of the claimed design is a trademark applied for registration, having U.S. Trademark Ser. No. 86169829, and owned by KNEKT Industries Ltd.

1 Claim, 8 Drawing Sheets



(56)

References Cited

U.S. PATENT DOCUMENTS

D445,817 S *	7/2001	Okuley	D16/206	D678,386 S *	3/2013	Huguley	D16/243
D540,838 S *	4/2007	Aronsson et al.	D16/206	8,446,467 B2	5/2013	Tilton et al.	
7,494,291 B2 *	2/2009	Saxton	396/420	D701,554 S *	3/2014	Huguley	D16/243
D630,239 S *	1/2011	Huguley	D16/243	D702,383 S *	4/2014	Inskeep	D26/45
8,373,762 B2 *	2/2013	Cottagnoud	348/211.7	D719,603 S *	12/2014	Hurst	D16/243
				2010/0277591 A1	11/2010	Kowalsky	
				2011/0169481 A1 *	7/2011	Nguyen et al.	324/126
				2013/0005401 A1	1/2013	Rosenhan et al.	

* cited by examiner

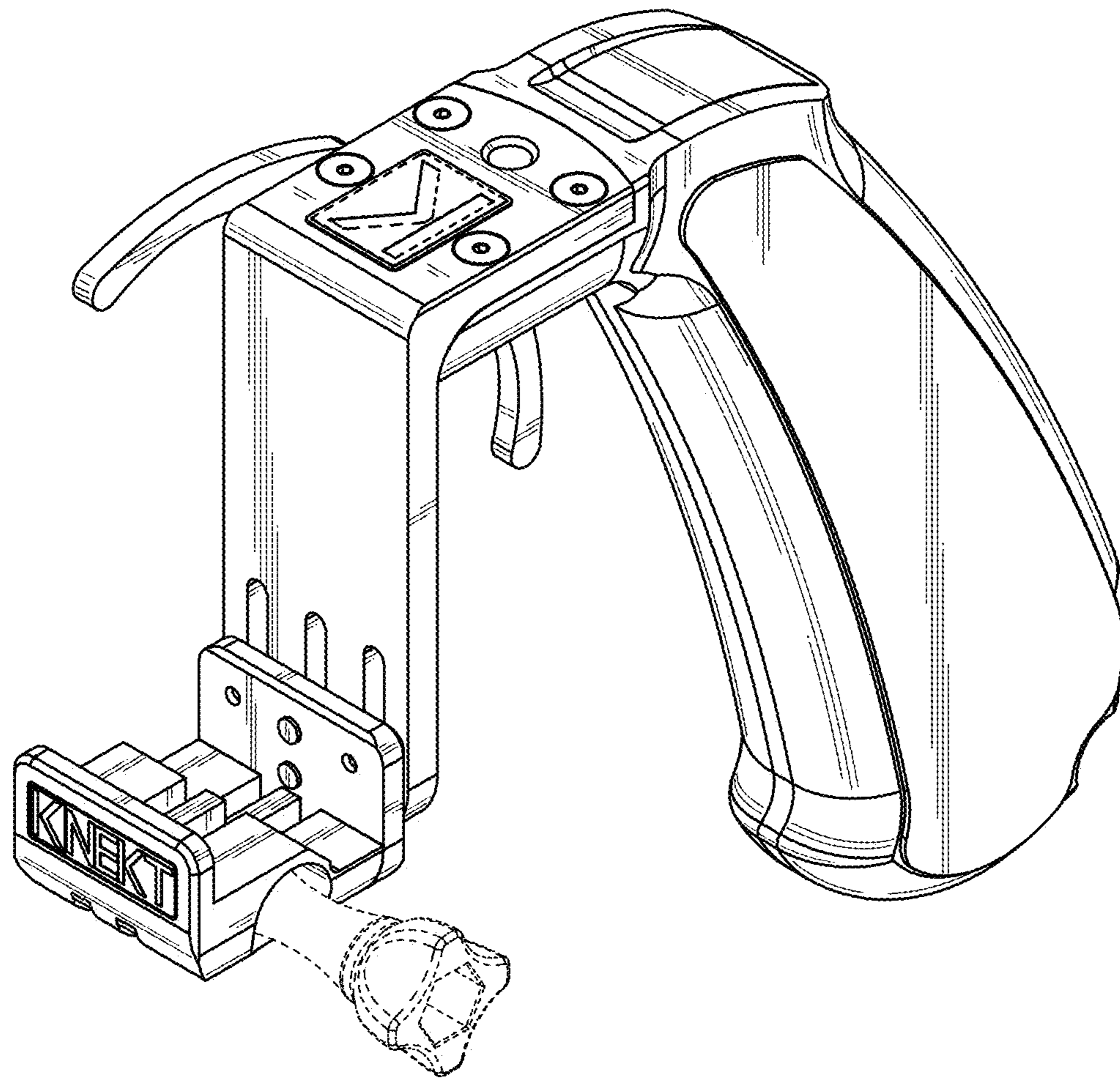


FIG. 1

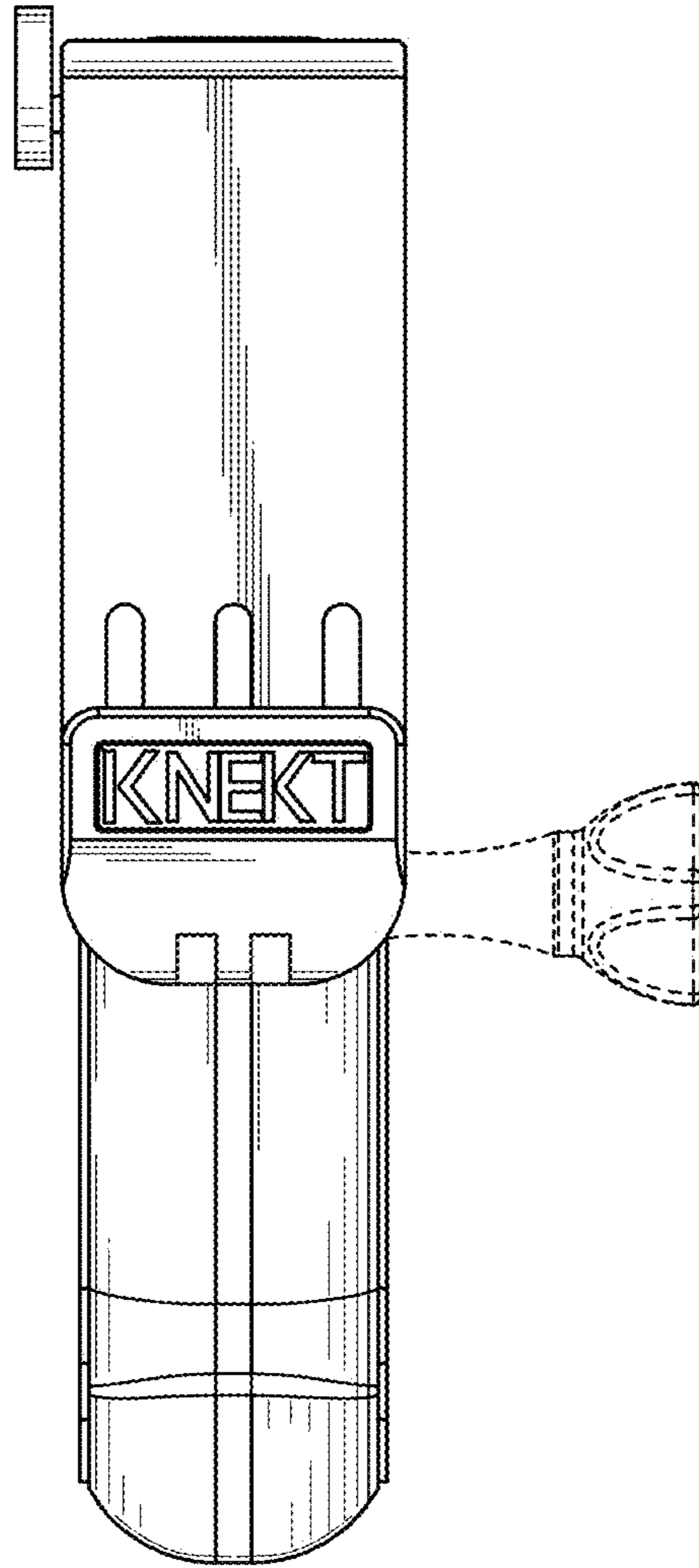


FIG. 2

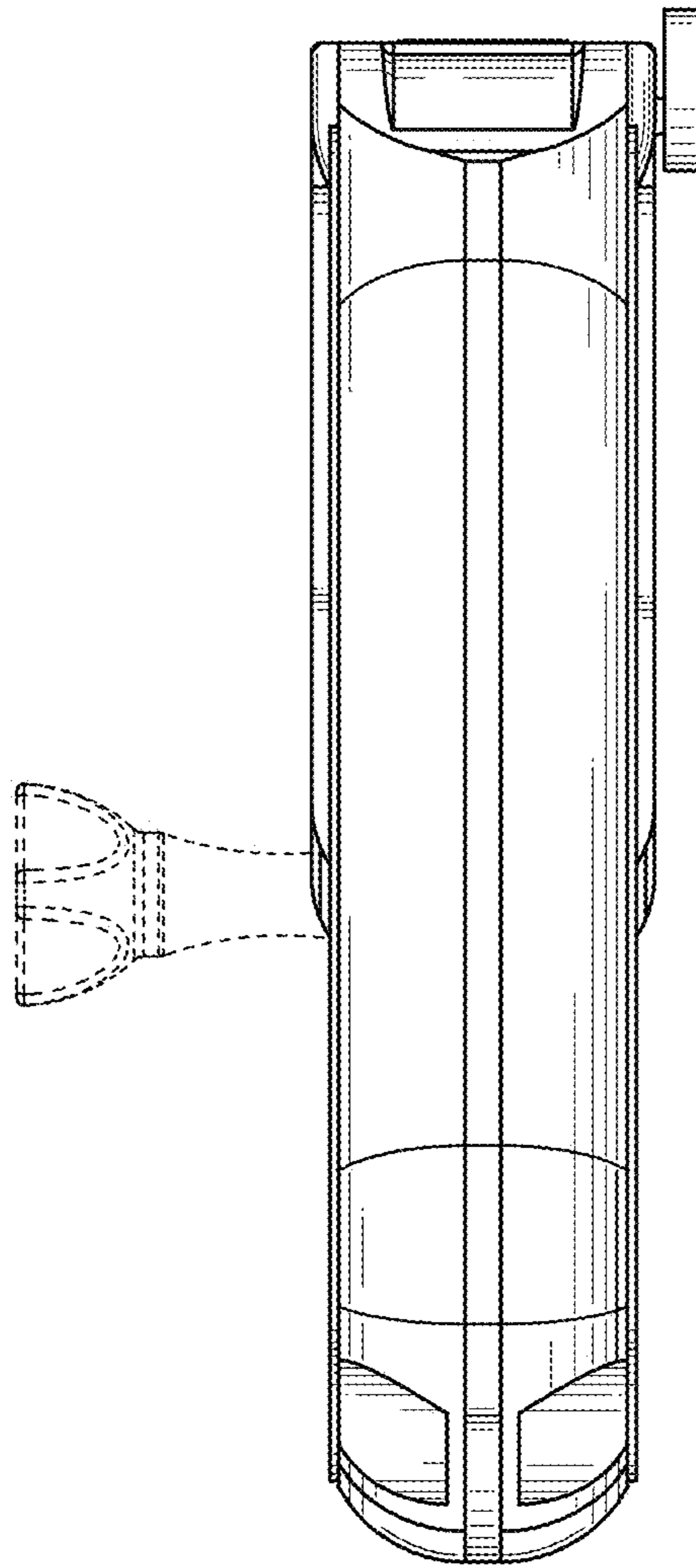


FIG. 3

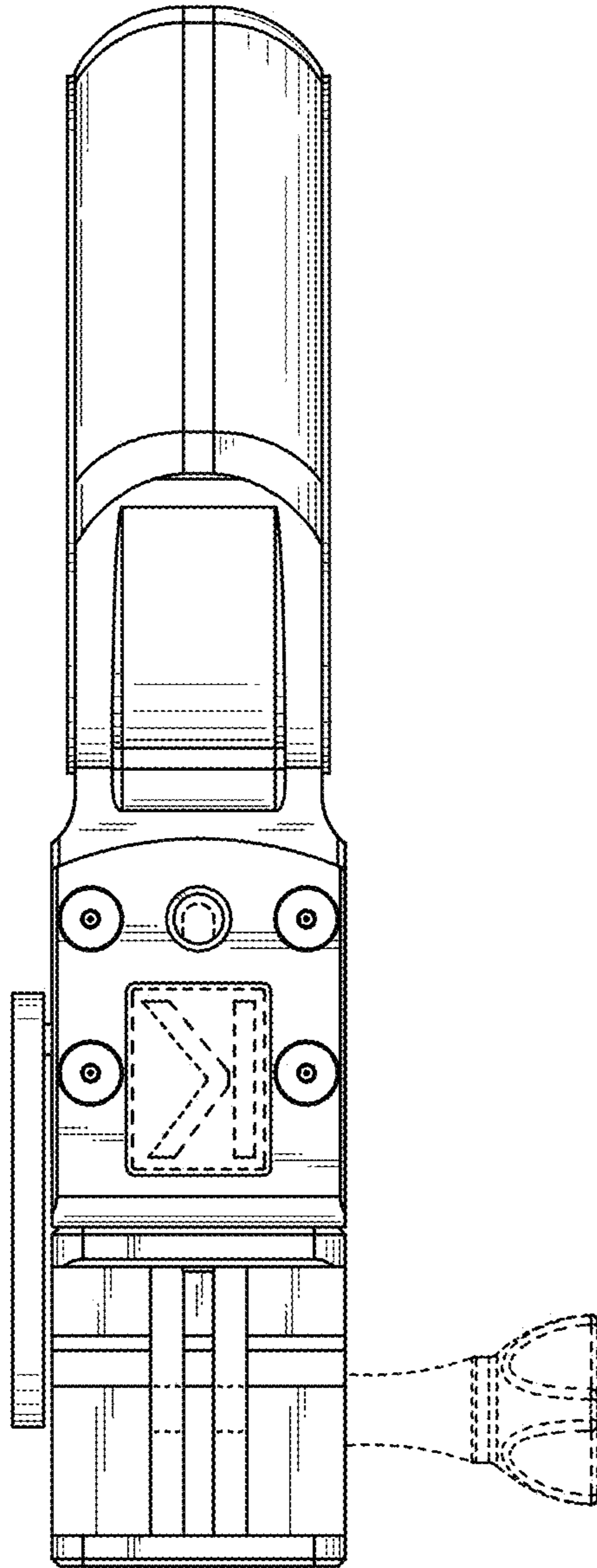


FIG. 4

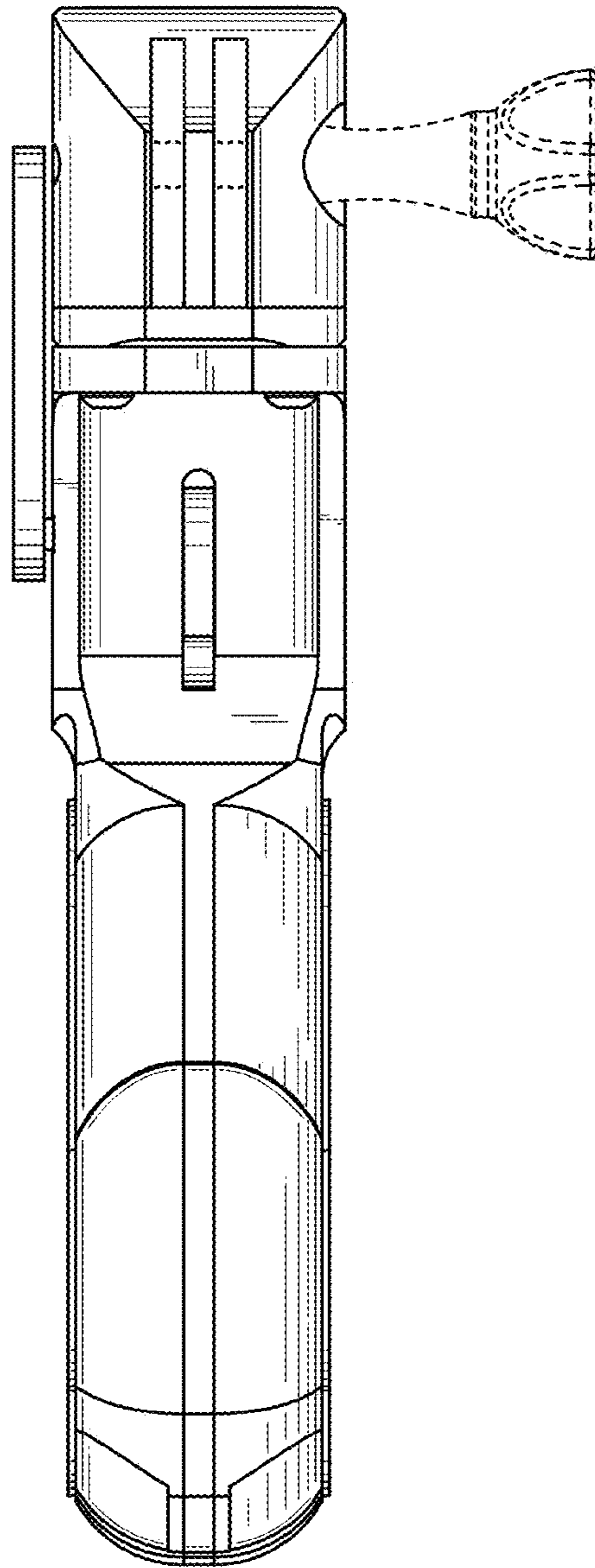


FIG. 5

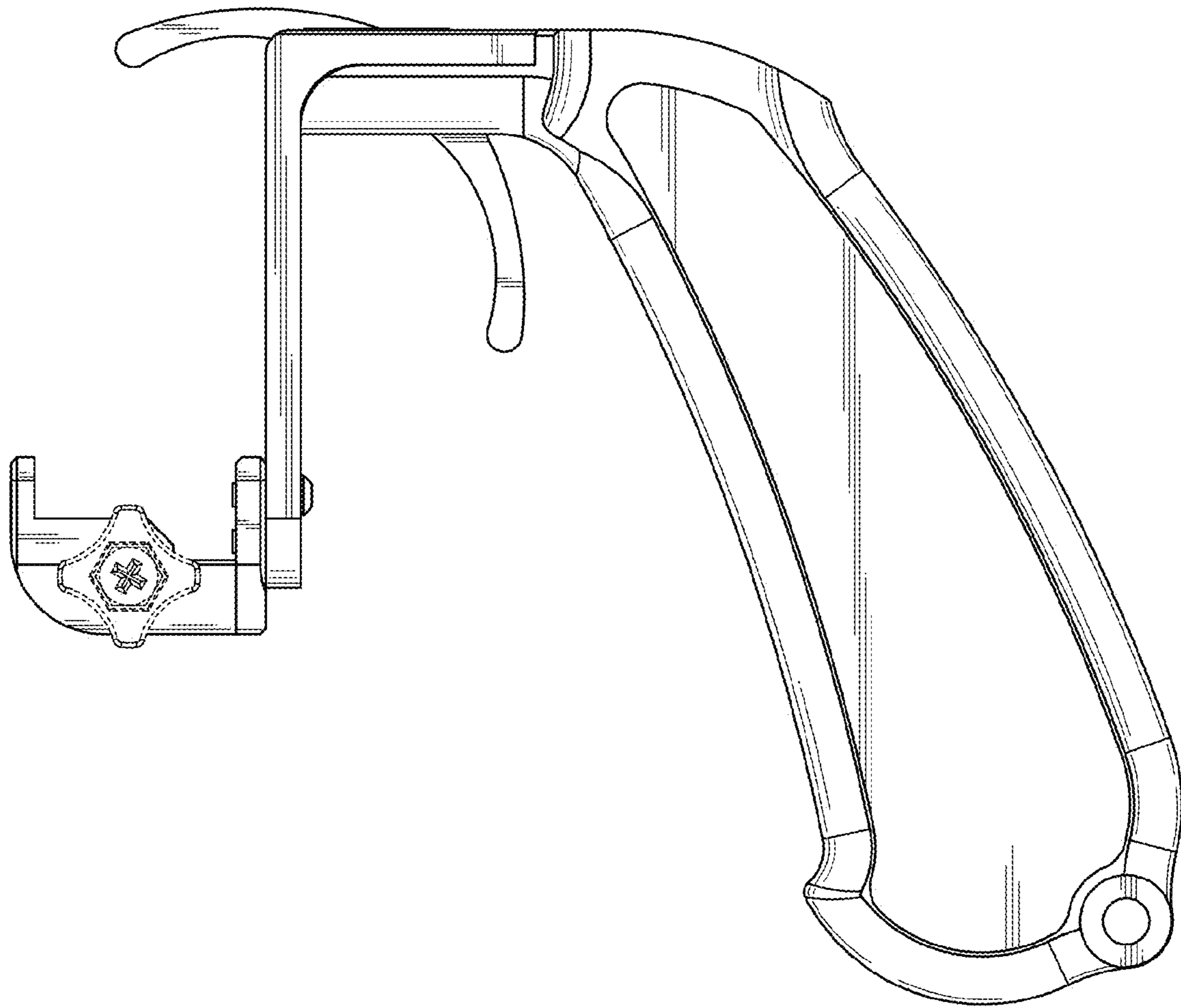


FIG. 6

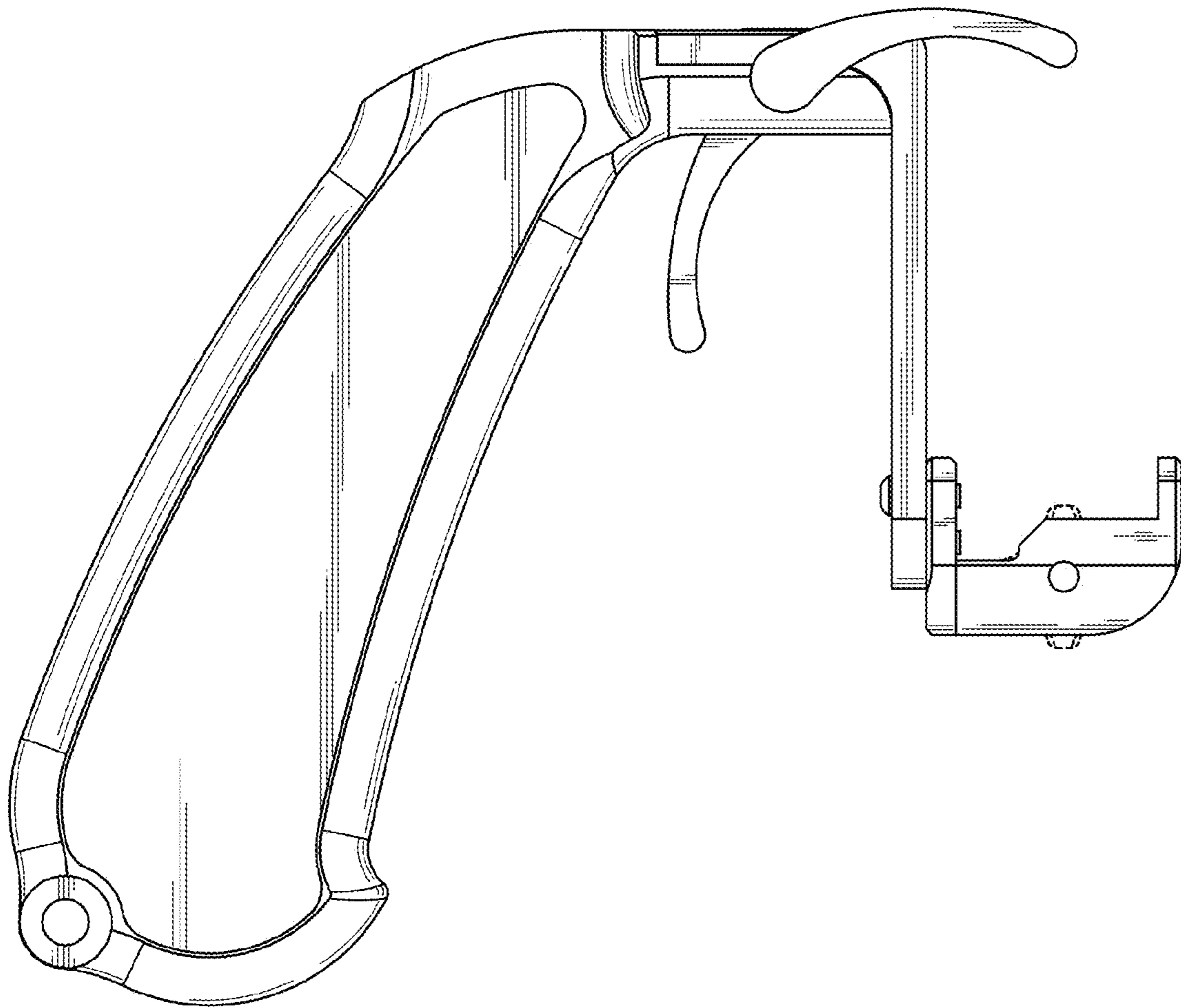


FIG. 7

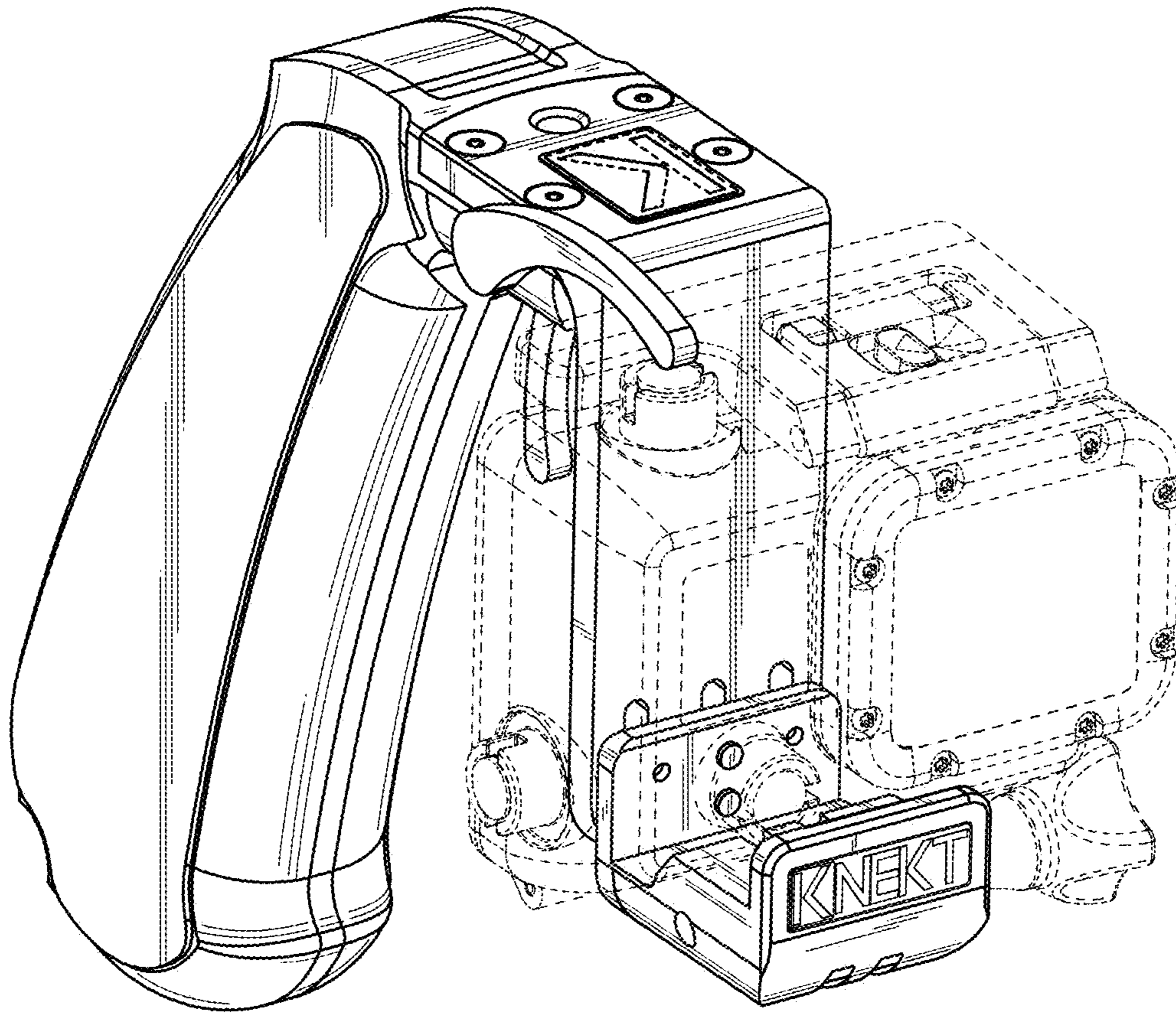


FIG. 8