



US00D730970S

(12) **United States Design Patent**
Ham

(10) **Patent No.:** **US D730,970 S**
(45) **Date of Patent:** **** Jun. 2, 2015**

(54) **DIGITAL CAMERA**

(71) Applicant: **Samsung Electronics Co., Ltd.**,
Suwon-si (KR)

(72) Inventor: **Min-Ki Ham**, Seoul (KR)

(73) Assignee: **Samsung Electronics Co., Ltd.**,
Suwon-si (KR)

(**) Term: **14 Years**

(21) Appl. No.: **29/473,326**

(22) Filed: **Nov. 21, 2013**

(30) **Foreign Application Priority Data**

May 21, 2013 (KR) 30-2013-0026332

(51) **LOC (10) Cl.** **16-05**

(52) **U.S. Cl.**
USPC **D16/219**

(58) **Field of Classification Search**
USPC D16/200, 202–206, 208, 218, 219;
348/373–376; 396/535, 539–541
CPC G03B 15/03; G03B 17/02; G03B 17/04;
G03B 17/56; G03B 19/04; H04N 5/2251;
H04N 5/2252; H04N 5/2253; H04N 5/2254;
H04N 2101/00

See application file for complete search history.

(56) **References Cited**

U.S. PATENT DOCUMENTS

D531,653 S *	11/2006	Lee	D16/219
D547,784 S *	7/2007	Shimobayashi	D16/202
D566,156 S *	4/2008	Tainaka	D16/219
D568,356 S *	5/2008	Tainaka	D16/202
D576,190 S *	9/2008	Tainaka	D16/202
D627,381 S *	11/2010	Kwon	D16/202
D681,712 S *	5/2013	Kim et al.	D16/202
D682,333 S *	5/2013	Kim et al.	D16/202
D688,719 S *	8/2013	Imai	D16/202
8,538,255 B2 *	9/2013	Kim	396/535
D695,803 S *	12/2013	Kyunghan et al.	D16/202
D695,810 S *	12/2013	Soejima	D16/219
D701,892 S *	4/2014	Jang et al.	D16/202

* cited by examiner

Primary Examiner — Adir Aronovich
Assistant Examiner — Ramzi Almatrahi
(74) *Attorney, Agent, or Firm* — NSIP Law

(57) **CLAIM**

The ornamental design for a digital camera, as shown and described.

DESCRIPTION

FIG. 1 is a front perspective view of a digital camera showing my new design;
FIG. 2 is a front view thereof;
FIG. 3 is a rear view thereof;
FIG. 4 is a left-side view thereof;
FIG. 5 is a right-side view thereof;
FIG. 6 is a top view thereof;
FIG. 7 is a bottom view thereof;
FIG. 8 is an enlarged view of the encircled portion located at the top right side of FIG. 1;
FIG. 9 is an enlarged view of the encircled portion located at the bottom right side of FIG. 1;
FIG. 10 is an enlarged view of an encircled portion as shown in FIG. 2;
FIG. 11 is an enlarged view of an encircled portion as shown in FIG. 3;
FIG. 12 is an enlarged view of the encircled portion located at the top left side of FIG. 5;
FIG. 13 is an enlarged view of the encircled portion located at the top center of FIG. 5; and,
FIG. 14 is an enlarged view of the encircled portion located at the bottom right side of FIG. 5.
The broken lines illustrating portions of the digital camera are for environmental purposes only and form no part of the claimed design.
The dot-dash broken lines encircling portions of the claimed design that are illustrated in enlargements form no part of the claimed design.

1 Claim, 8 Drawing Sheets

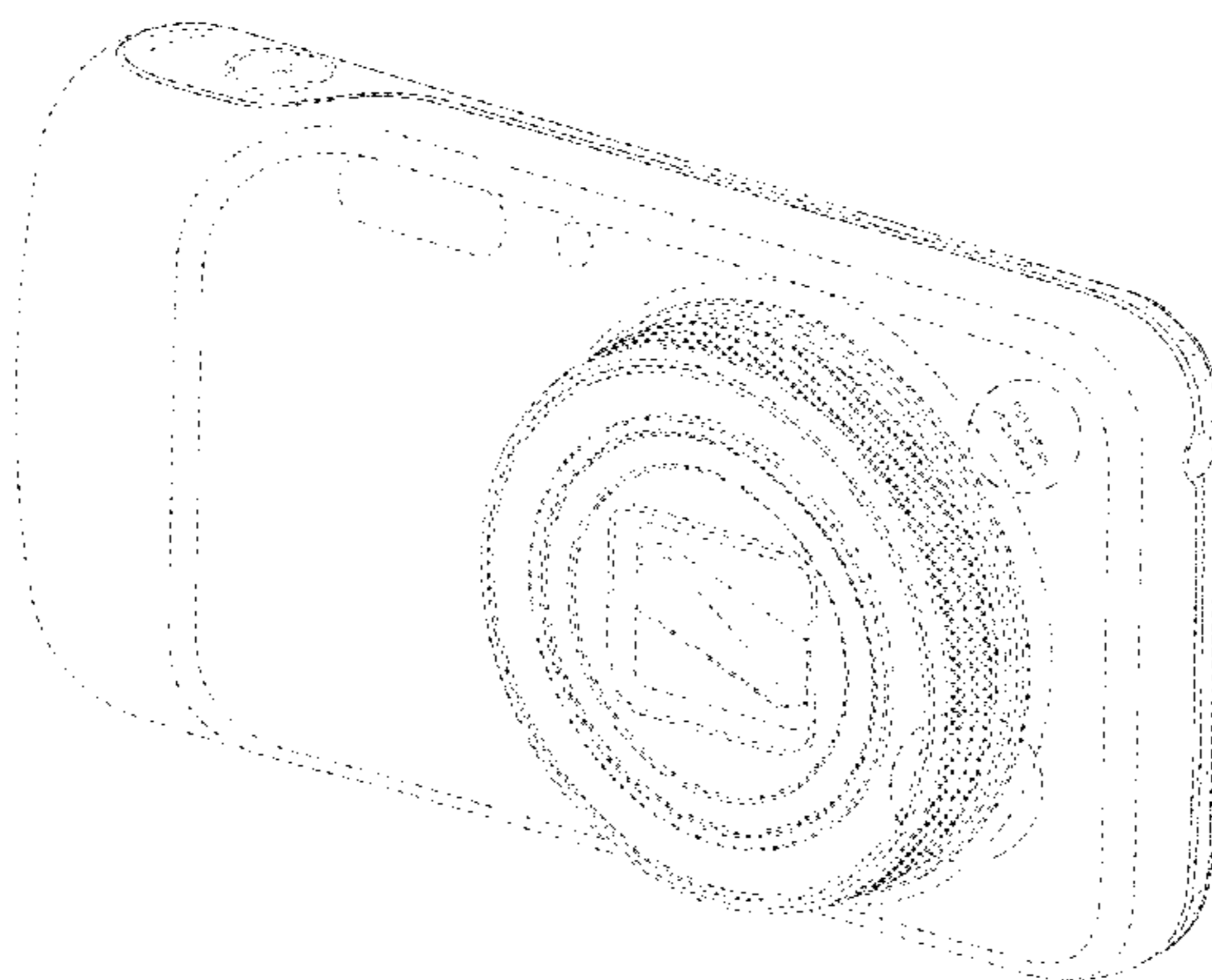


FIG. 1

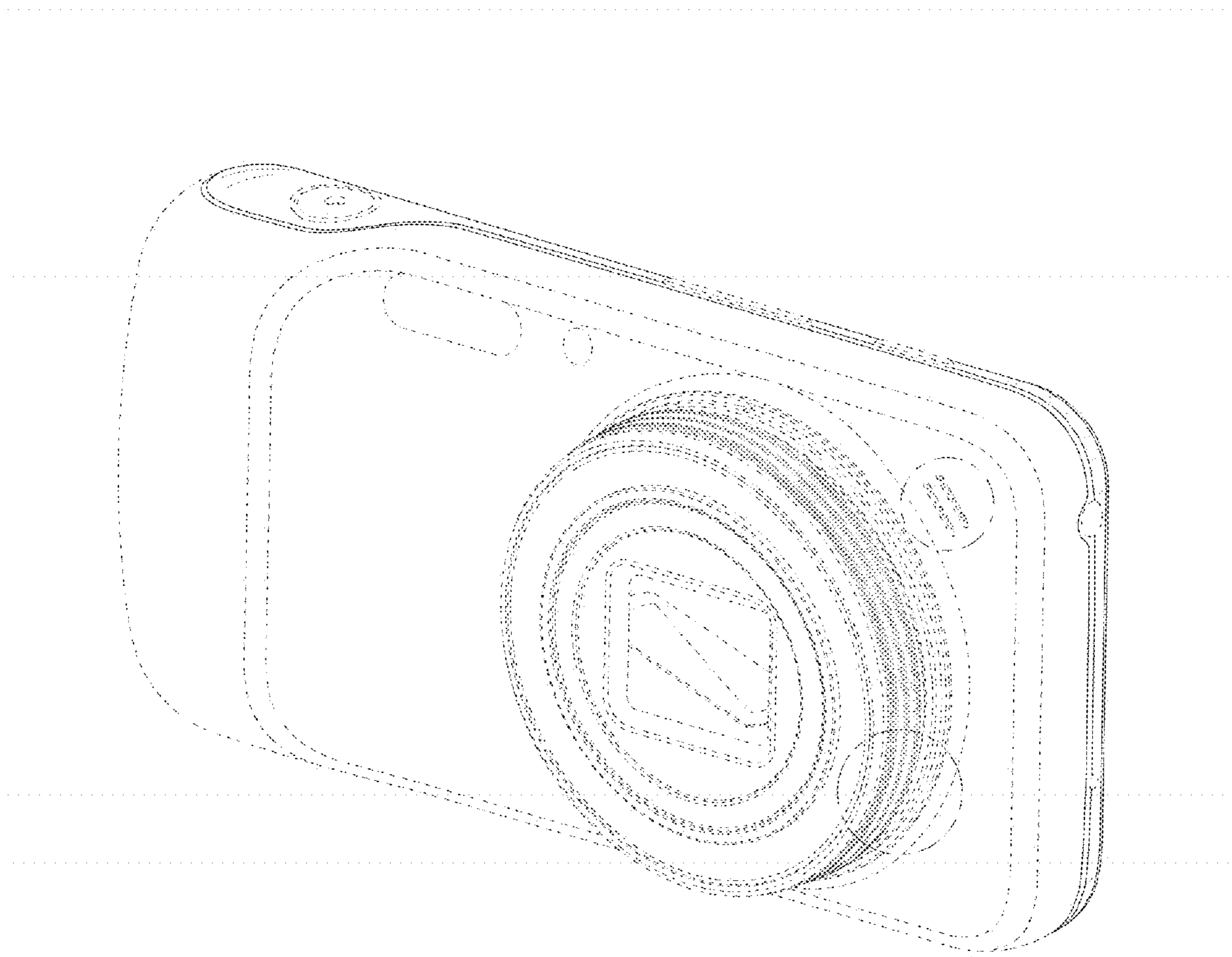


FIG.2

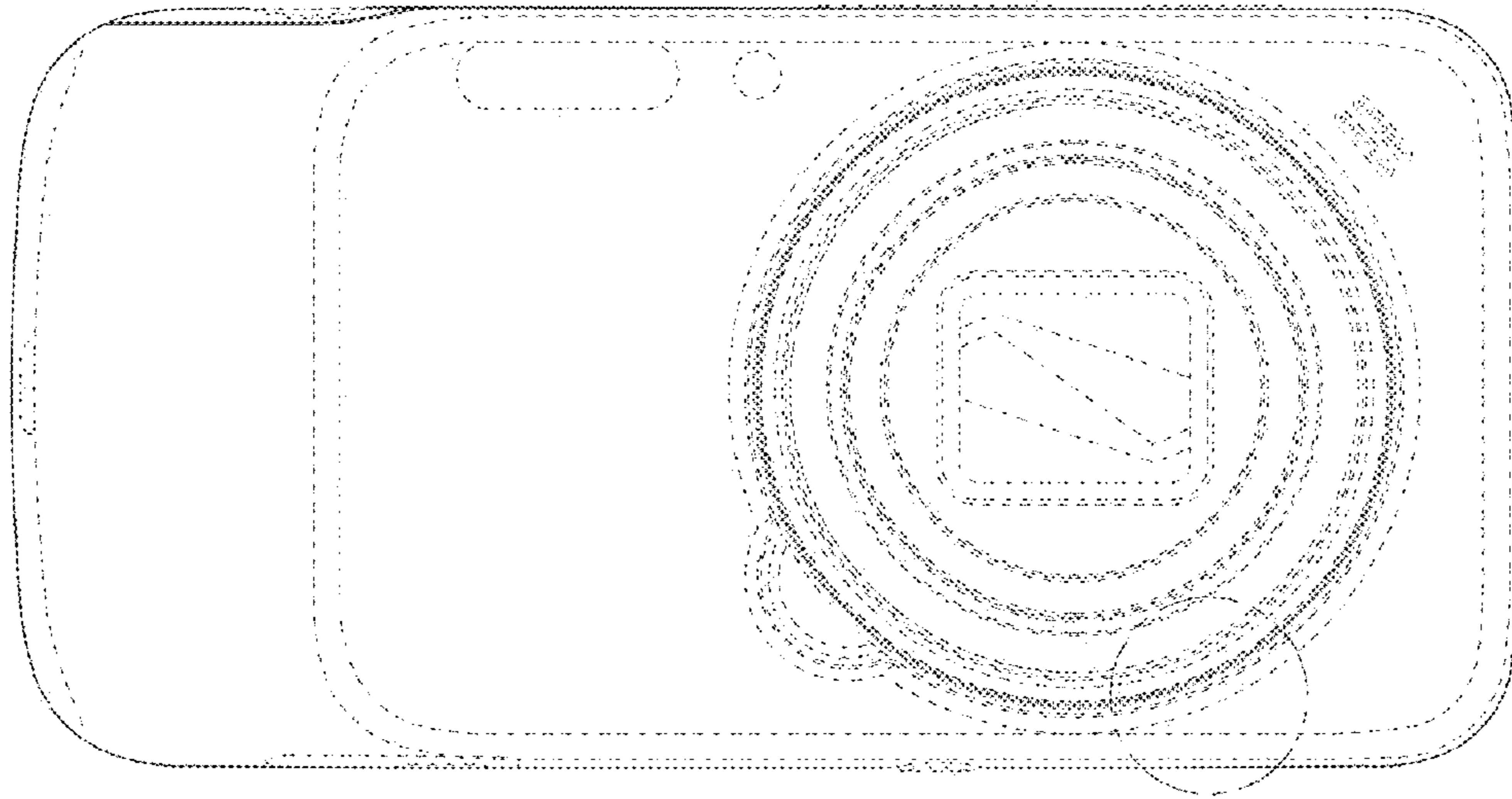


FIG.3

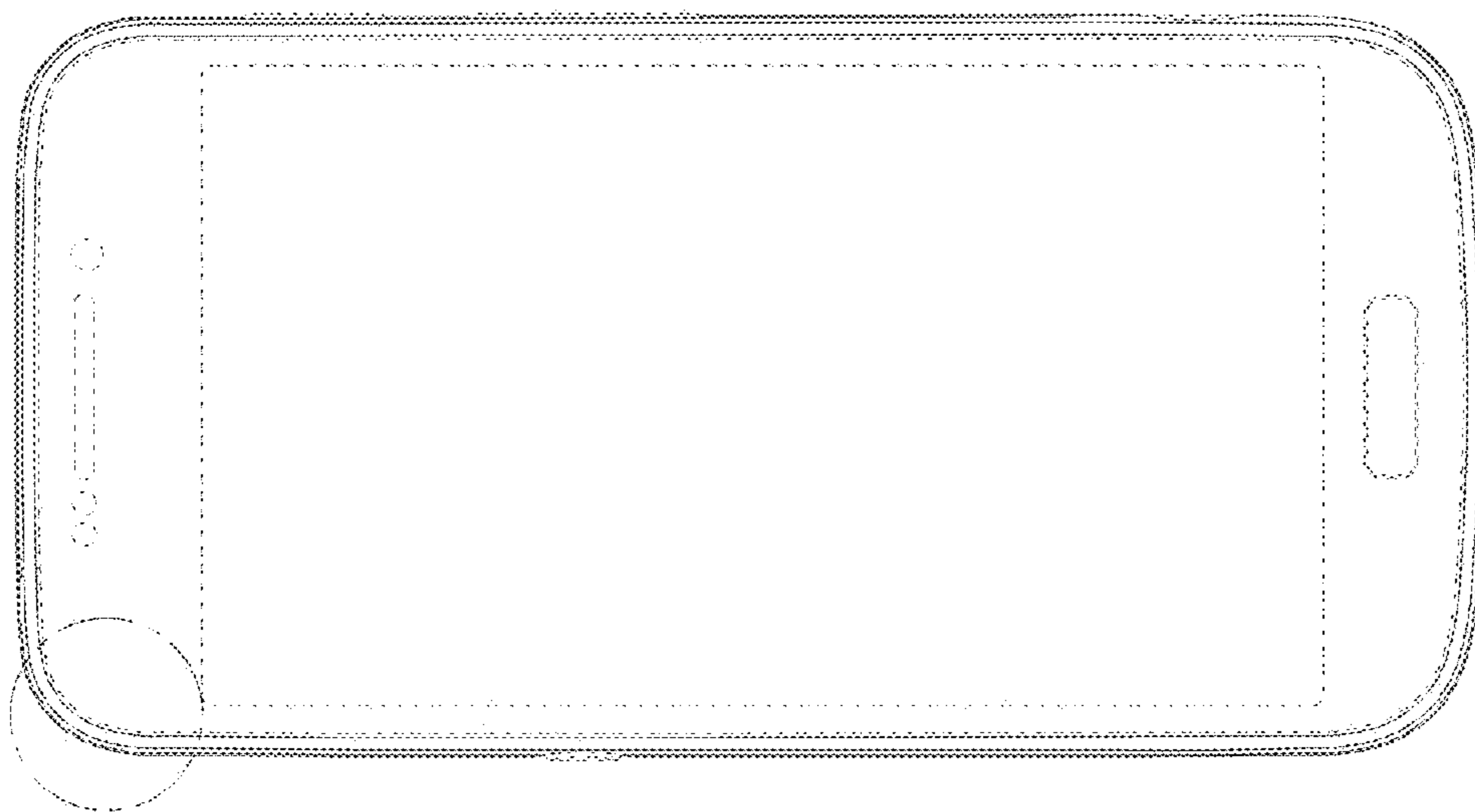


FIG.4

FIG.5

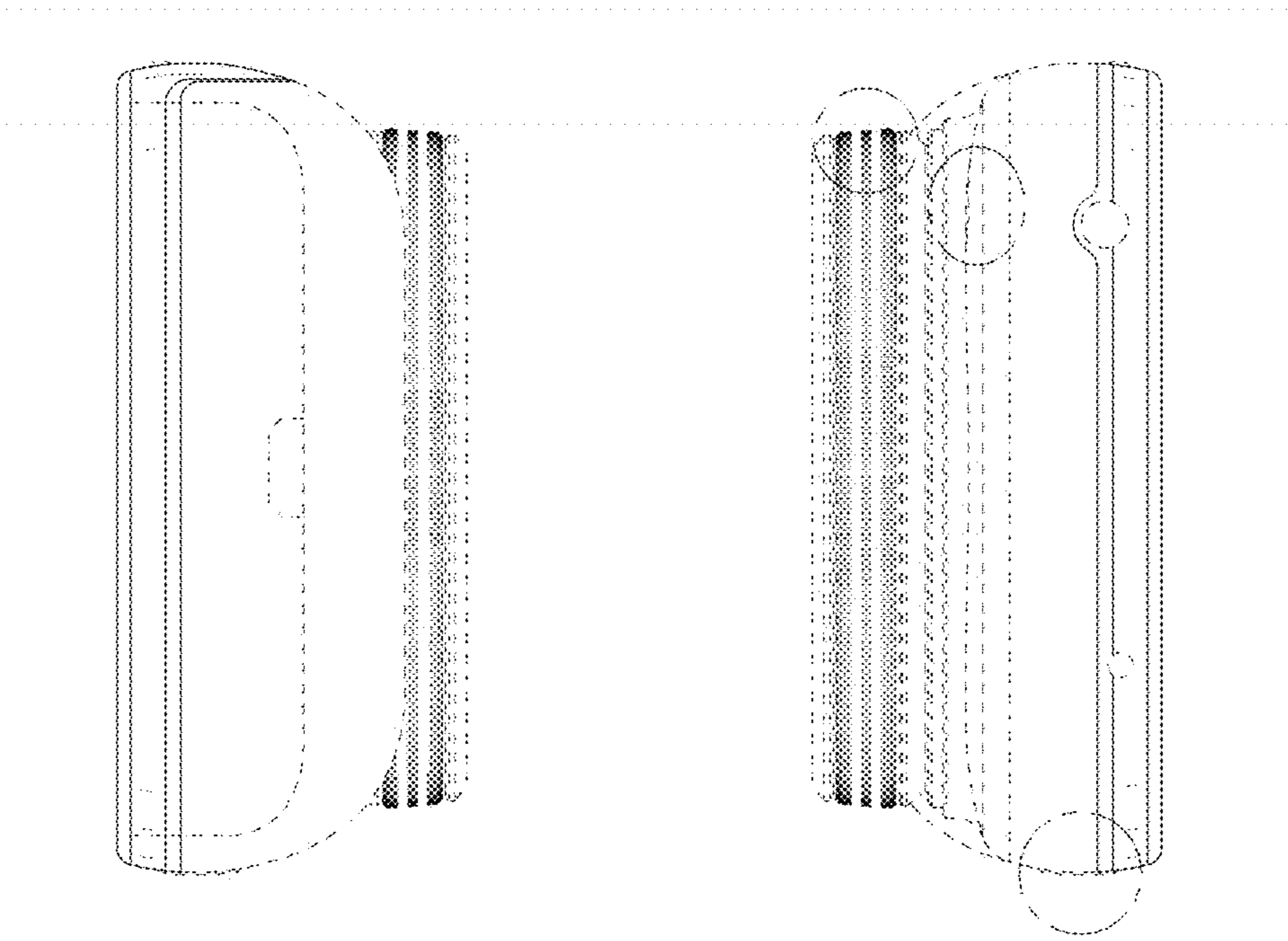


FIG.6

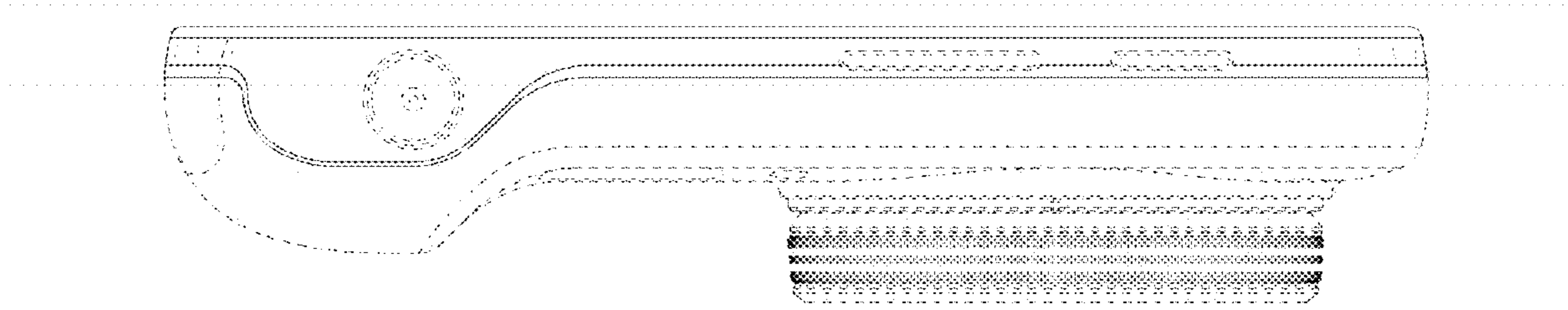


FIG.7

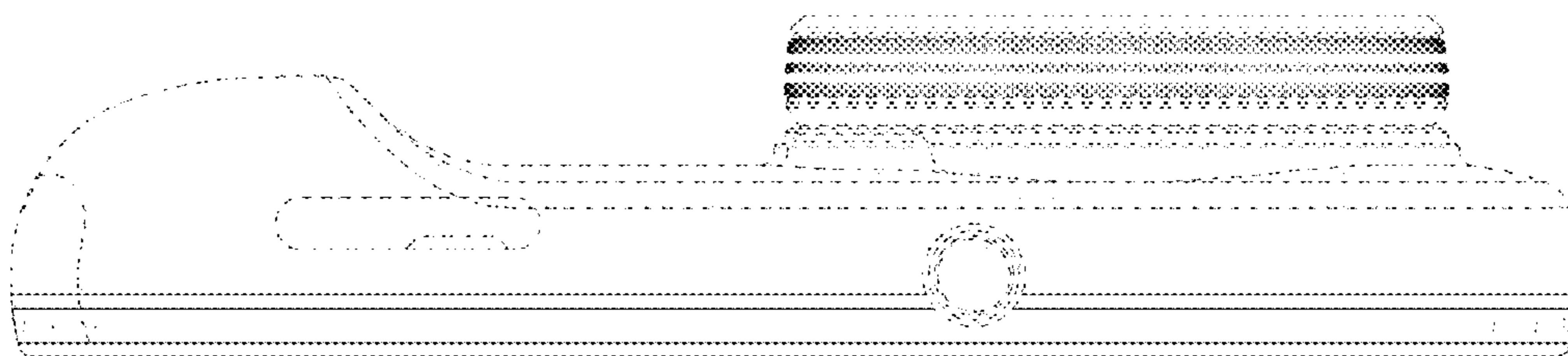


FIG.8

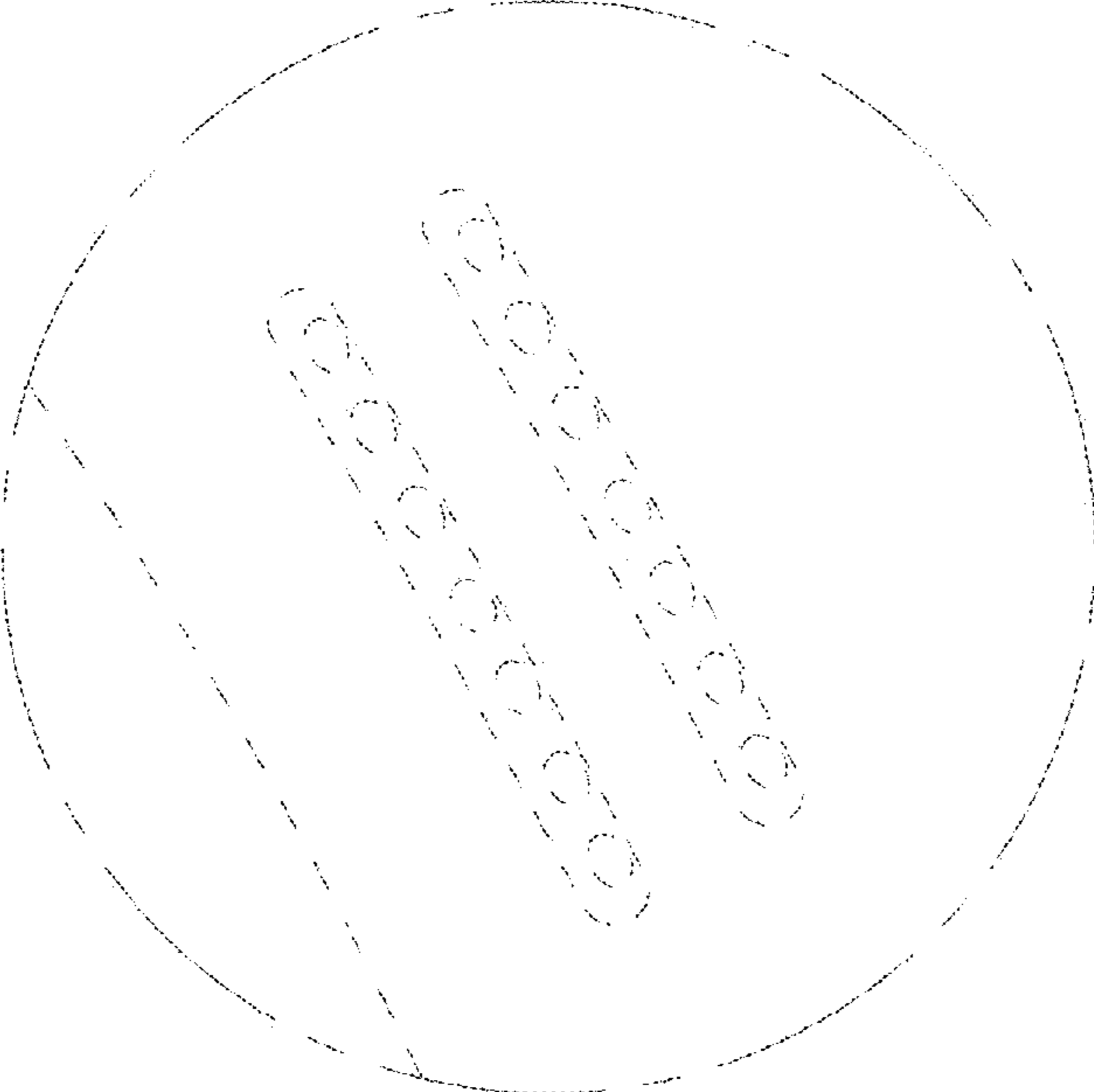


FIG.9

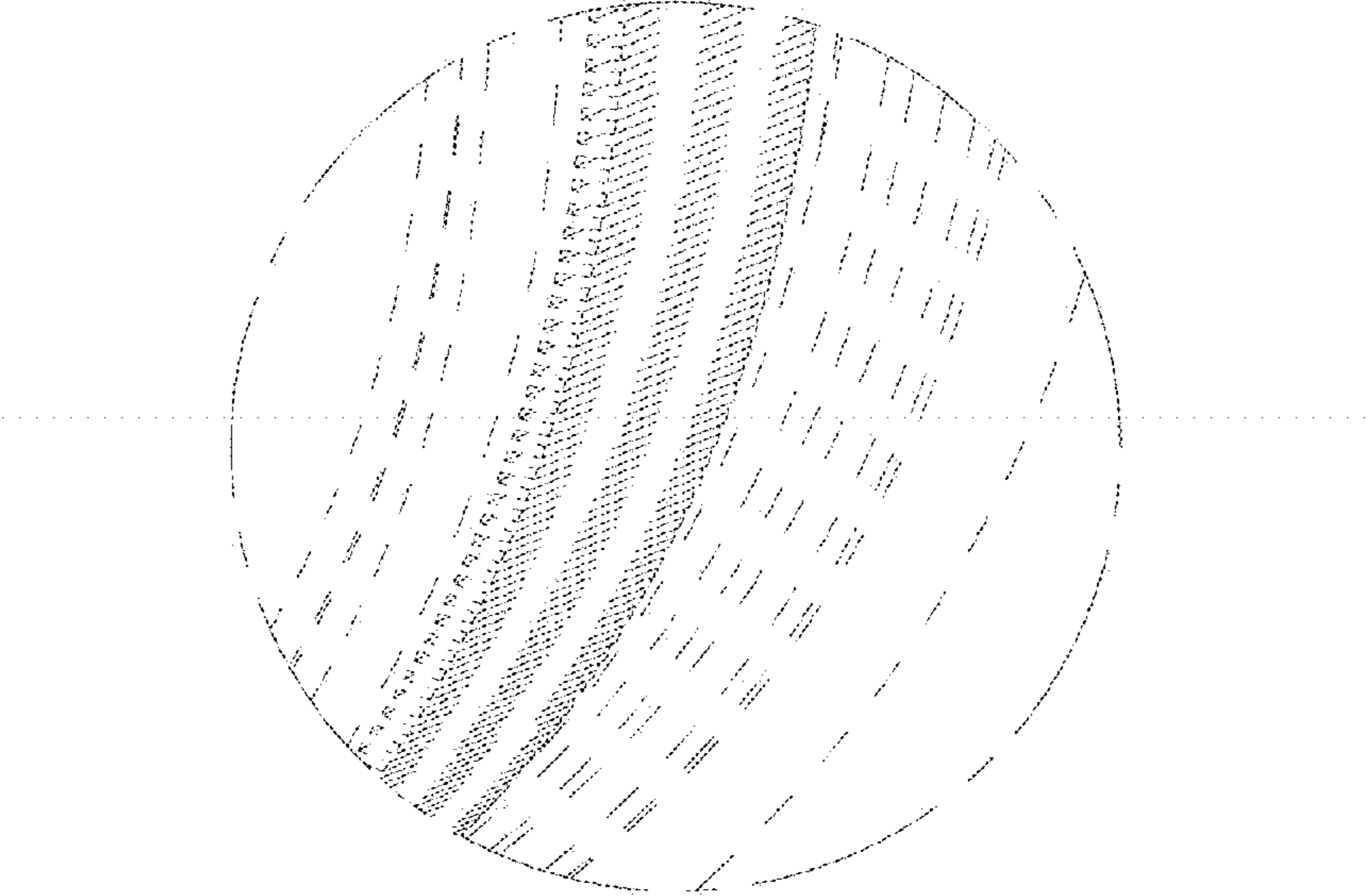


FIG.10

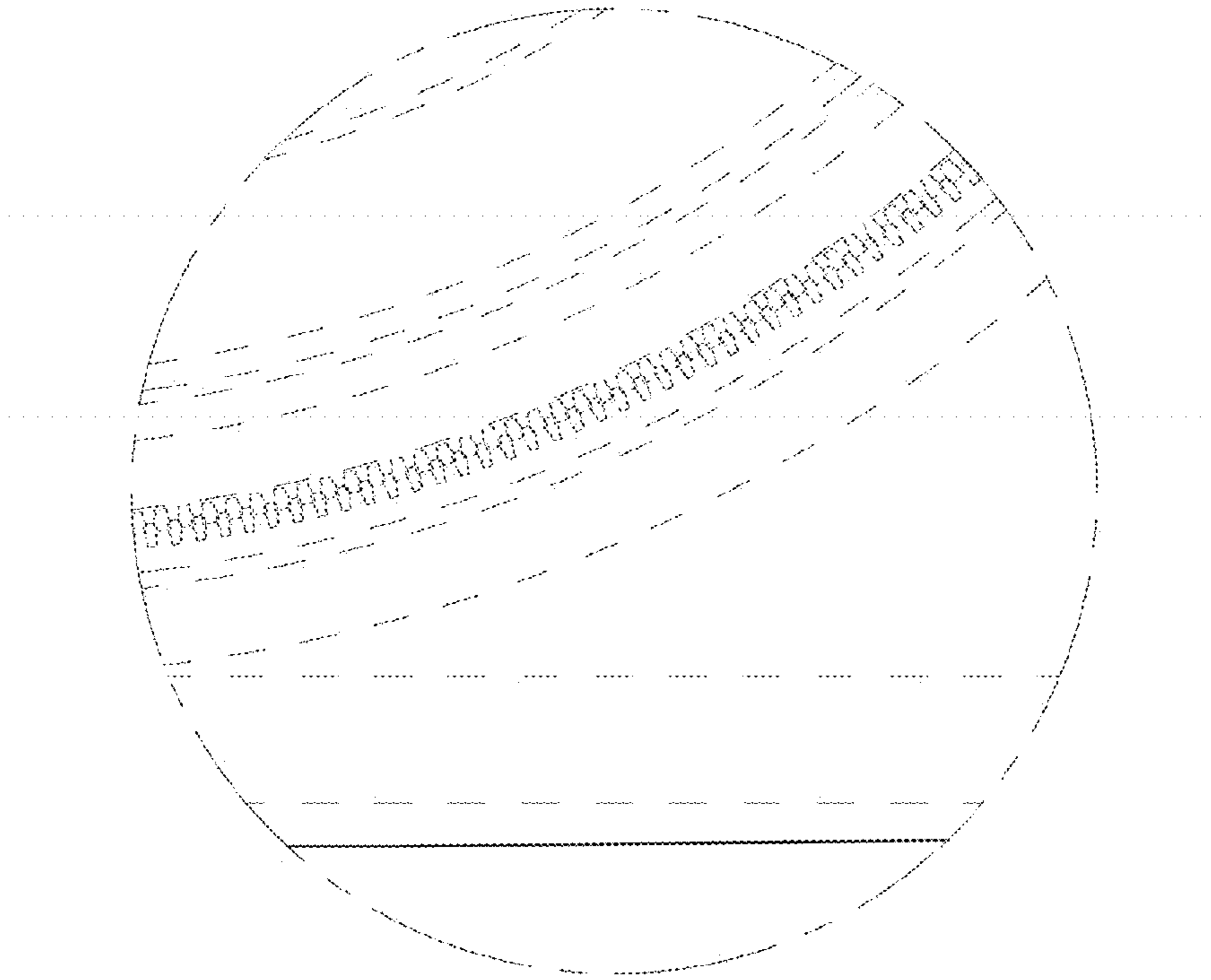


FIG.11

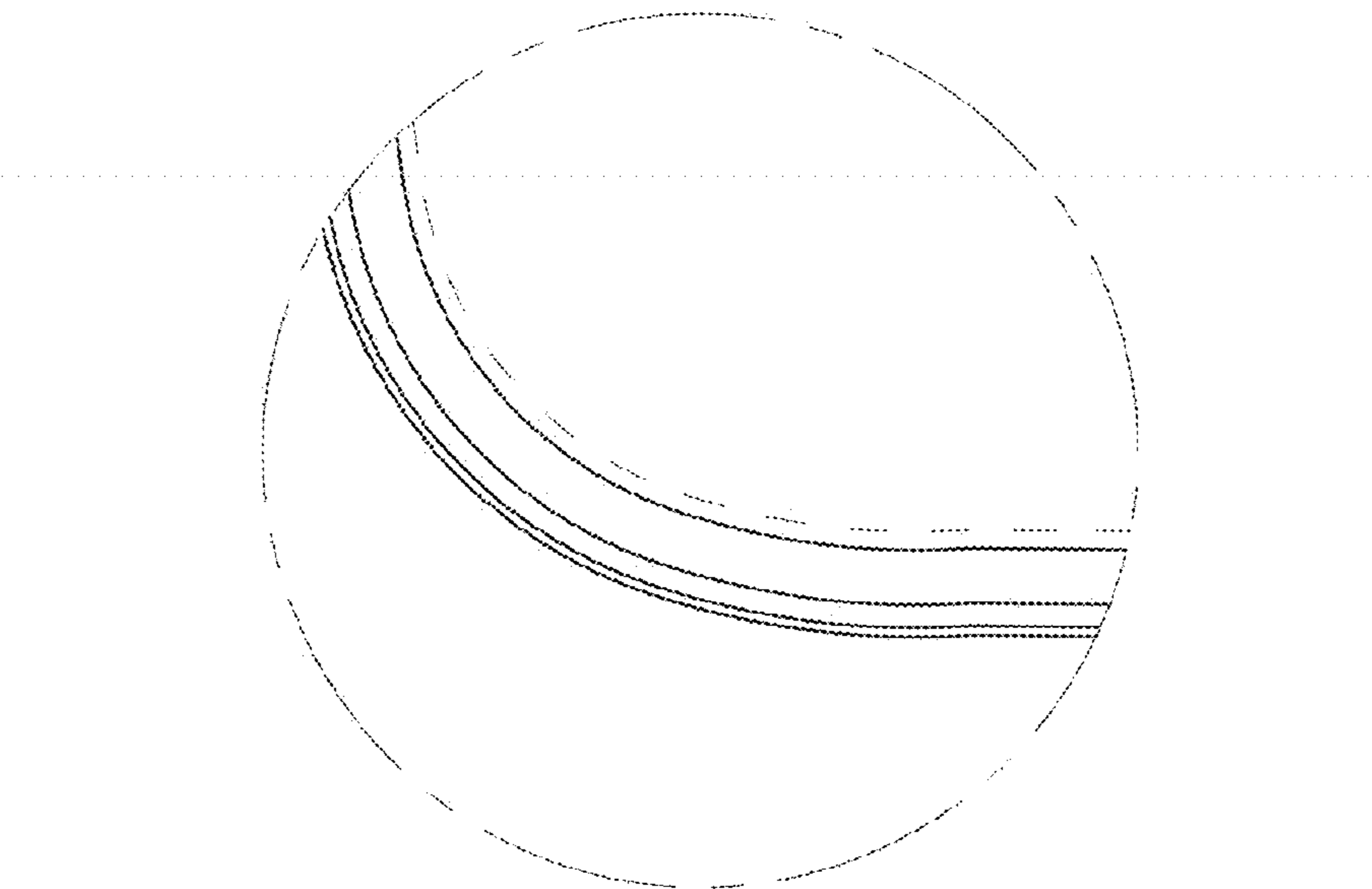


FIG. 12

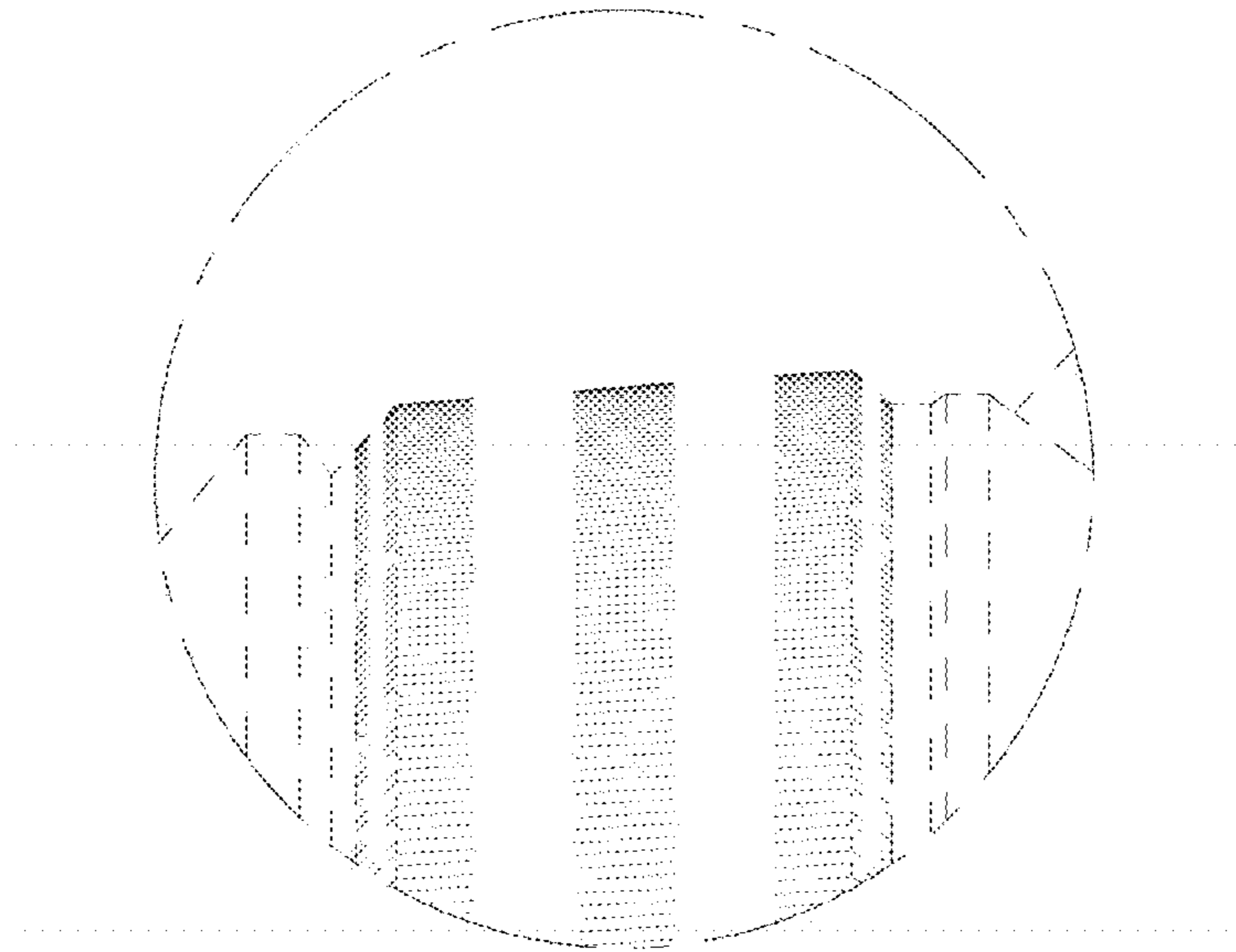


FIG. 13

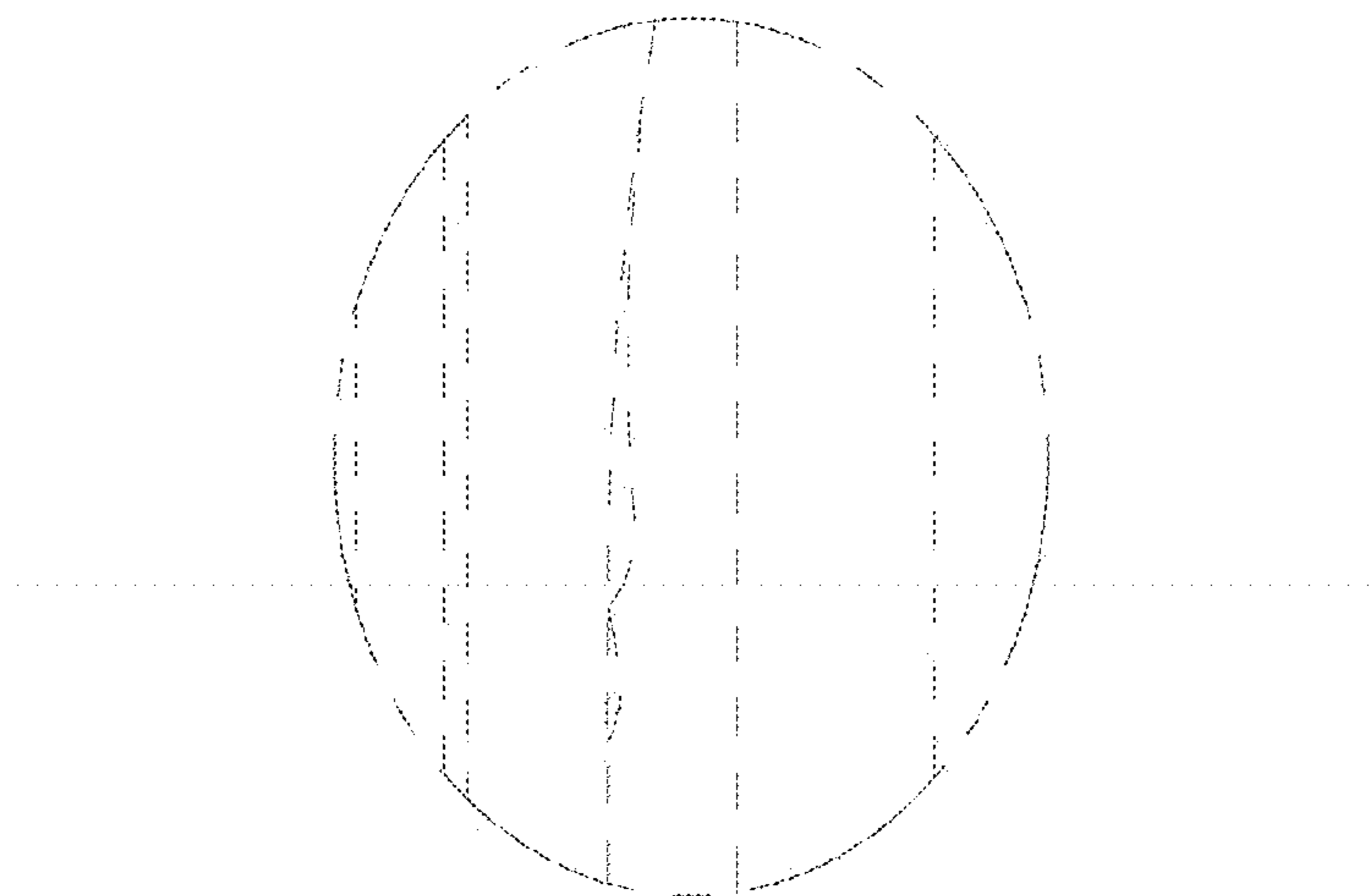


FIG.14

