



US00D730968S

(12) **United States Design Patent**
O'Neill et al.

(10) **Patent No.:** **US D730,968 S**

(45) **Date of Patent:** **** Jun. 2, 2015**

(54) **OPTICAL ELEMENT**

(71) Applicant: **Premier Systems USA, Inc.**, Huntington Beach, CA (US)

(72) Inventors: **Patrick D. O'Neill**, Huntington Beach, CA (US); **Chong Pak**, Lakewood, CA (US)

(73) Assignee: **olloclip, LLC**, Huntington Beach, CA (US)

(**) Term: **14 Years**

(21) Appl. No.: **29/448,799**

(22) Filed: **Mar. 13, 2013**

(51) **LOC (10) Cl.** **16-05**

(52) **U.S. Cl.**
USPC **D16/219**

(58) **Field of Classification Search**
USPC D16/134, 136, 200, 202–205, 218, 219, D16/235, 242; 348/360, 373–376; 359/826–828; 396/529–532, 535, 396/539–541
CPC G03B 17/02; G03B 19/04; G03B 17/56; G03B 17/04; G03B 15/03; G03B 17/14; H04N 5/2251; H04N 5/2252; H04N 5/2253; H04N 5/2254; G02B 7/02; G02B 7/04; G02B 7/14

See application file for complete search history.

(56) **References Cited**

U.S. PATENT DOCUMENTS

D181,908 S *	1/1958	Hertzler	D16/134
D183,253 S *	7/1958	Gebele	D16/134
D381,347 S *	7/1997	Miyahara	D16/134
6,115,197 A *	9/2000	Funahashi	359/826
D546,863 S *	7/2007	Ito et al.	D16/219
D650,821 S *	12/2011	Verhey	D16/219
D678,379 S *	3/2013	O'Neill et al.	D16/134
D686,265 S *	7/2013	O'Neill et al.	D16/134
D697,958 S *	1/2014	O'Neill et al.	D16/134
8,687,299 B1 *	4/2014	Sanford et al.	359/828
2005/0099526 A1 *	5/2005	Wu et al.	348/360
2013/0107109 A1 *	5/2013	Yang	348/373
2013/0148954 A1 *	6/2013	Uehara et al.	396/532

* cited by examiner

Primary Examiner — Adir Aronovich

Assistant Examiner — Ramzi Almatrahi

(74) *Attorney, Agent, or Firm* — Knobbe, Martens, Olson & Bear, LLP

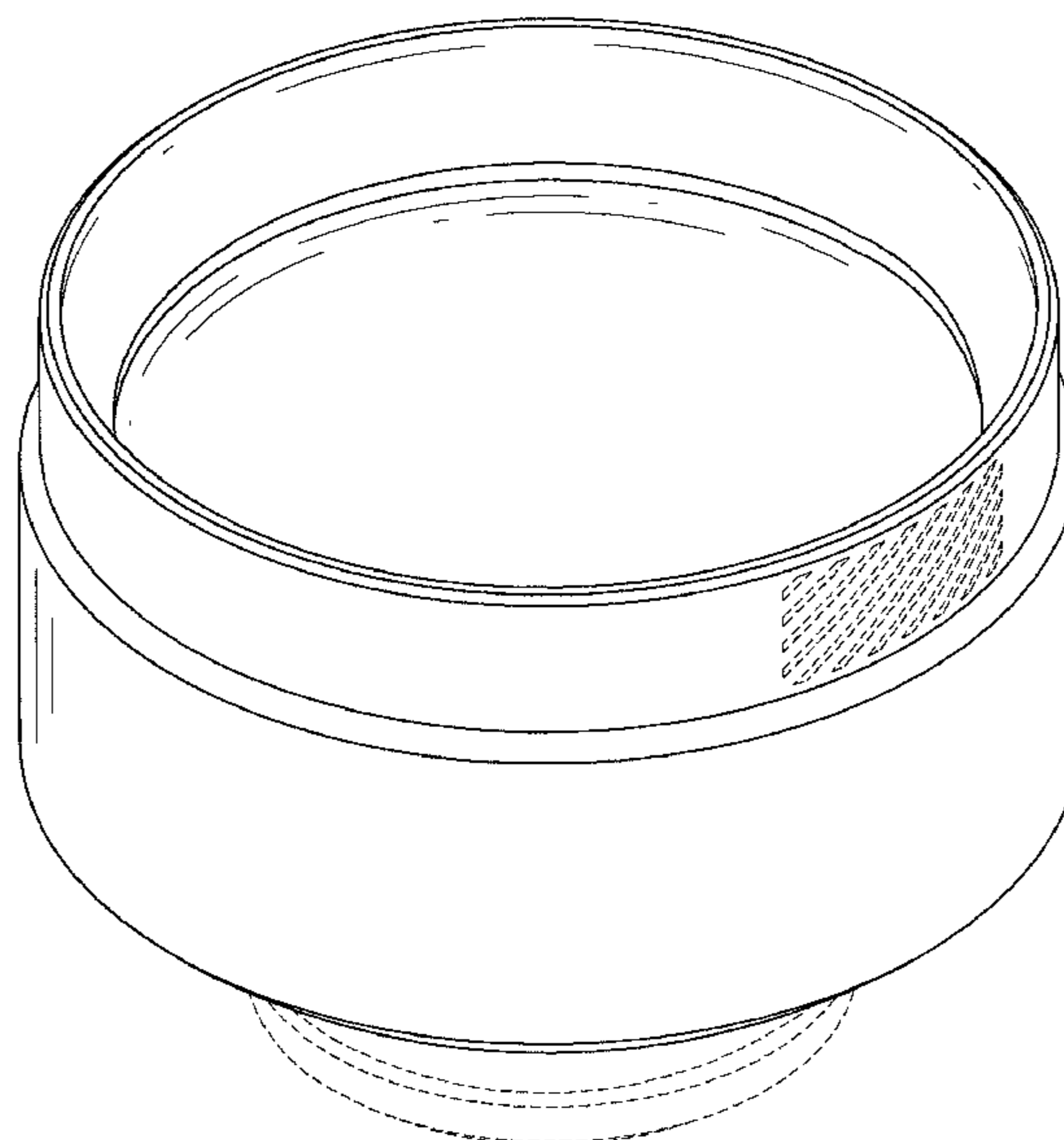
(57) **CLAIM**

The ornamental design for an optical element, as shown and described.

DESCRIPTION

FIG. 1 is a front, top, and right side perspective view of an optical element;
FIG. 2 is a front elevation view thereof;
FIG. 3 is a rear elevation view thereof;
FIG. 4 is a top plan view thereof;
FIG. 5 is a bottom plan view thereof;
FIG. 6 is a right side elevation view thereof; and,
FIG. 7 is a left side elevation view thereof.
The broken lines depict unclaimed portions of a design for an optical element and form no part of the claimed design.

1 Claim, 7 Drawing Sheets



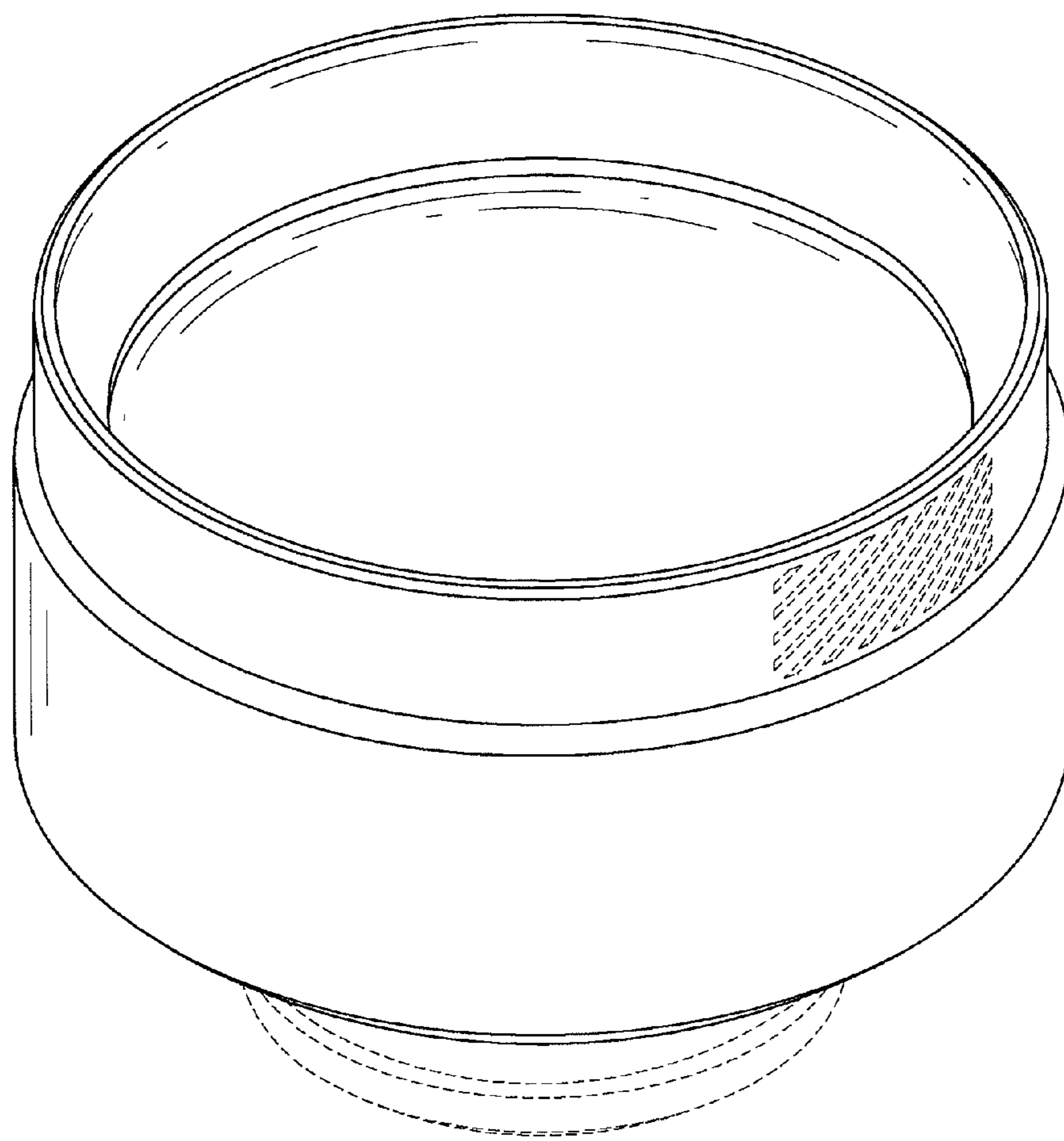


FIG. 1

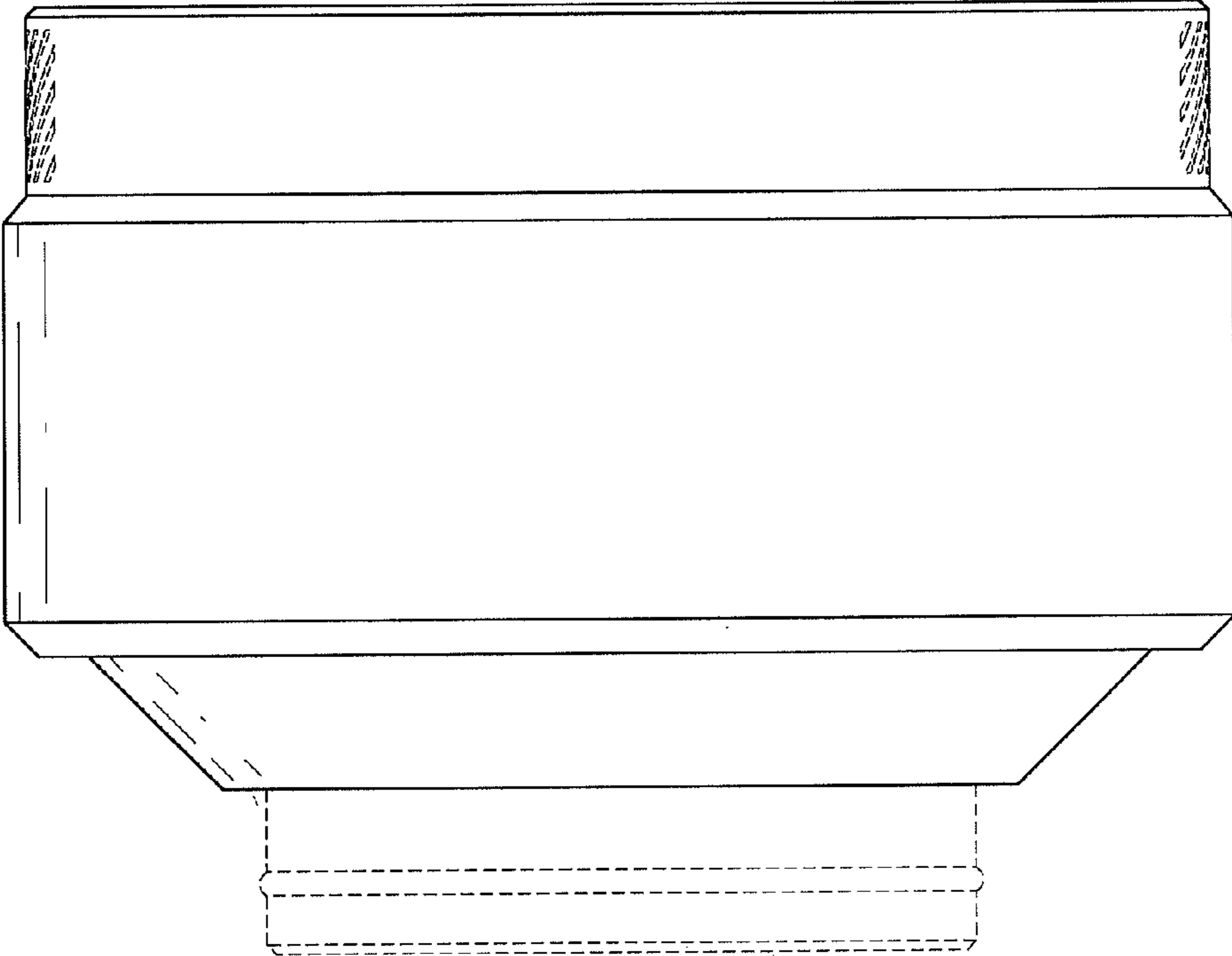


FIG. 2

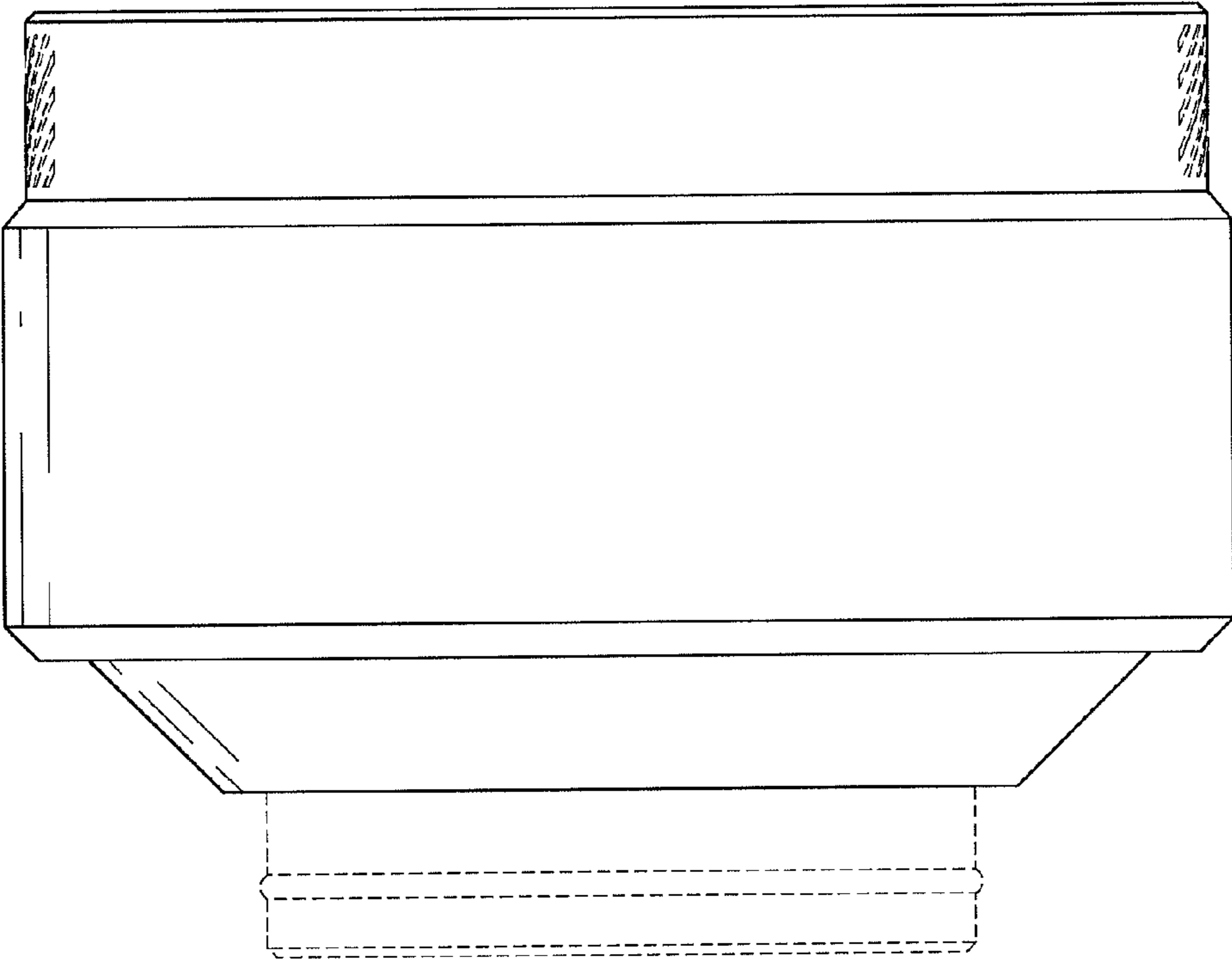


FIG. 3

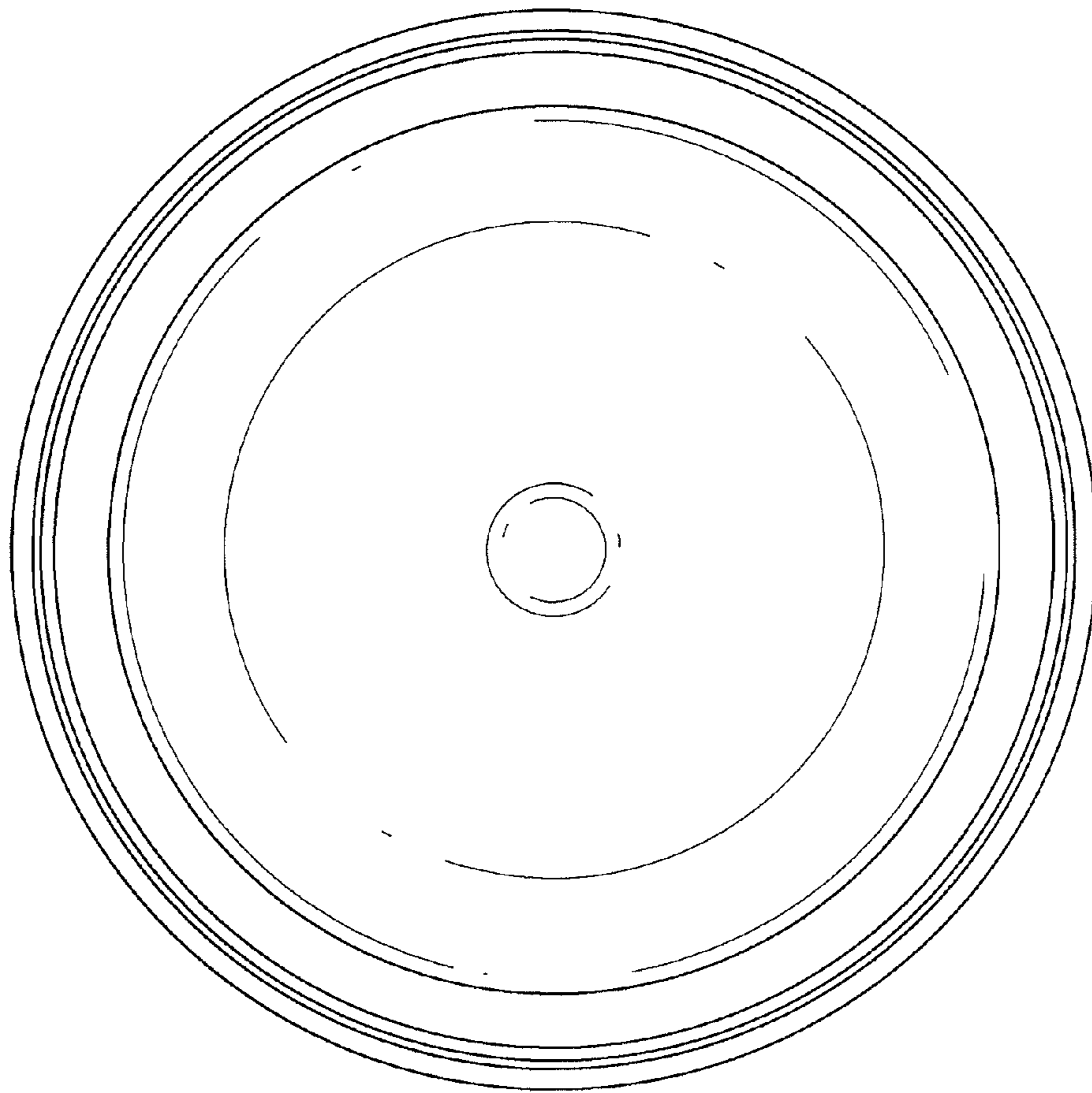


FIG. 4

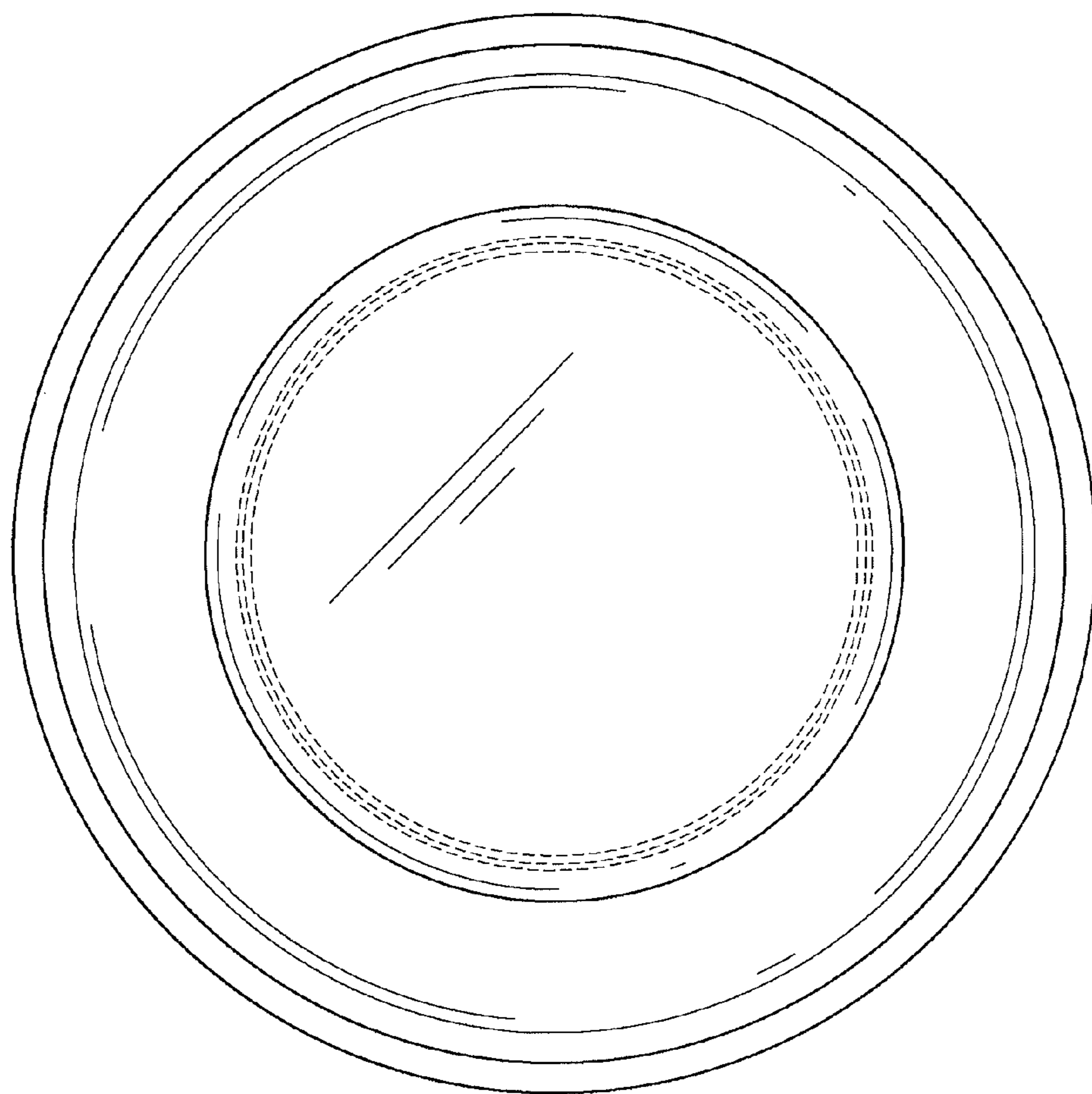


FIG. 5

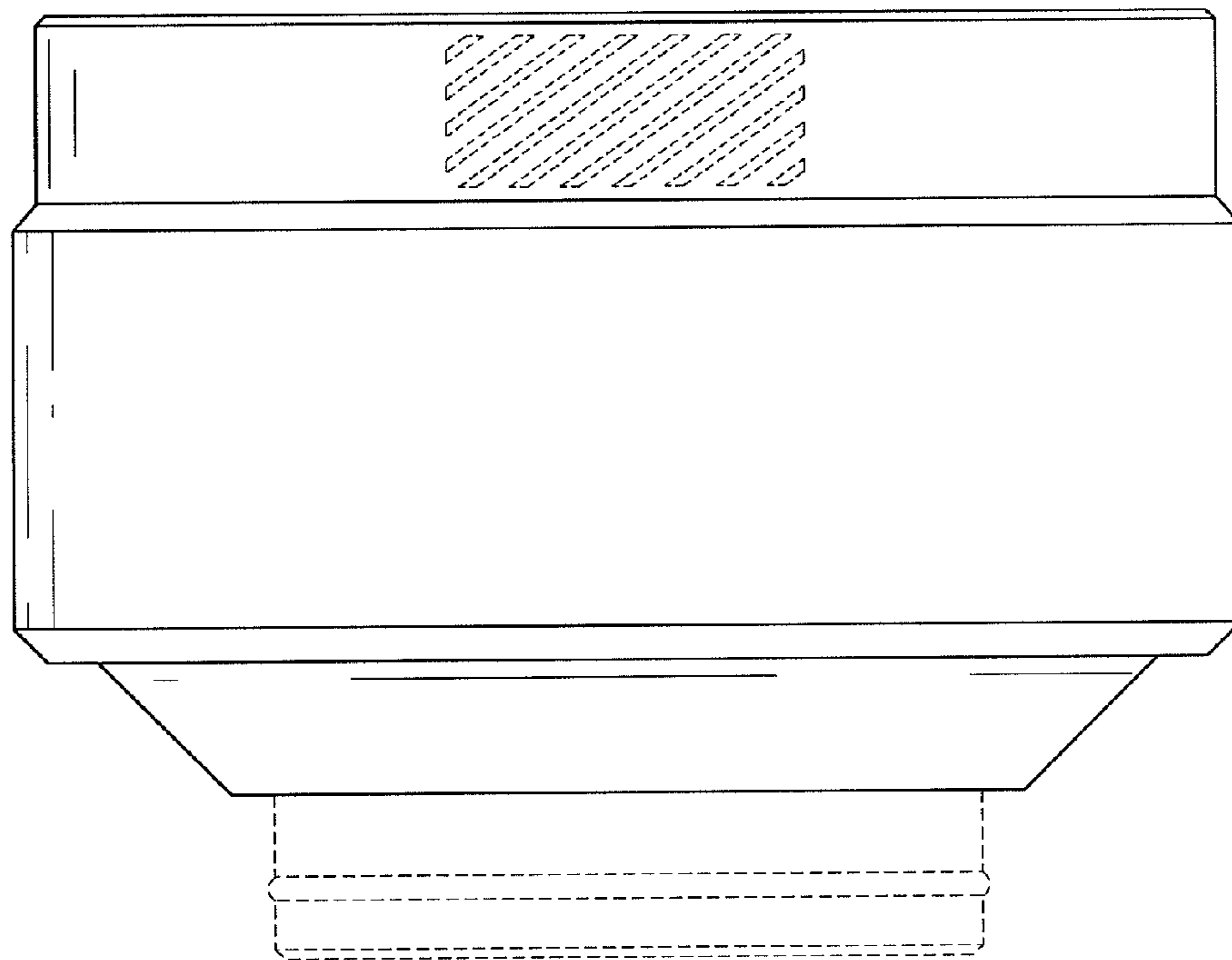


FIG. 6

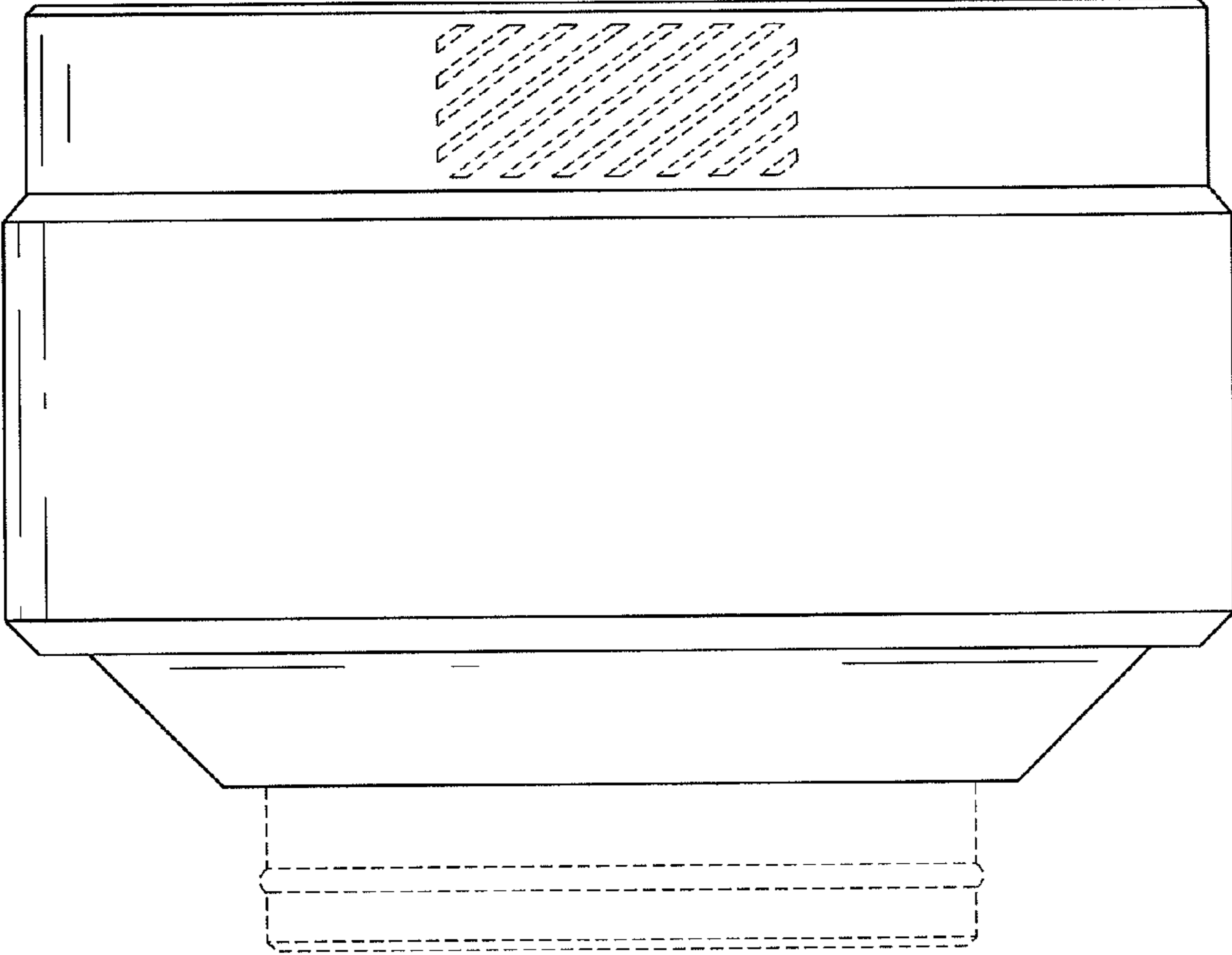


FIG. 7