



US00D730966S

(12) **United States Design Patent**  
**Liu**

(10) **Patent No.:** **US D730,966 S**  
(45) **Date of Patent:** **\*\* Jun. 2, 2015**

(54) **WEBCAM**  
(71) Applicant: **D-Link Corporation**, Taipei (TW)  
(72) Inventor: **Kai-Ming Liu**, Taipei (TW)  
(73) Assignee: **D-LINK CORPORATION**, Taipei (TW)

6,503,000	B1	*	1/2003	Kim	.....	396/427
D475,070	S	*	5/2003	Ogura	.....	D16/202
D552,649	S	*	10/2007	Logan et al.	.....	D16/202
D554,682	S	*	11/2007	Martinez et al.	.....	D16/203
D558,249	S	*	12/2007	Hsia	.....	D16/203
D573,622	S	*	7/2008	Fisher et al.	.....	D16/202
D637,173	S	*	5/2011	Elkerbout	.....	D14/159
D648,766	S	*	11/2011	Chen	.....	D16/202
D719,202	S	*	12/2014	Lee	.....	D16/202
2005/0247845	A1	*	11/2005	Li et al.	.....	248/918

(\*\*) Term: **14 Years**  
(21) Appl. No.: **29/483,842**  
(22) Filed: **Mar. 4, 2014**

\* cited by examiner

*Primary Examiner* — Adir Aronovich  
(74) *Attorney, Agent, or Firm* — Bacon & Thomas, PLLC

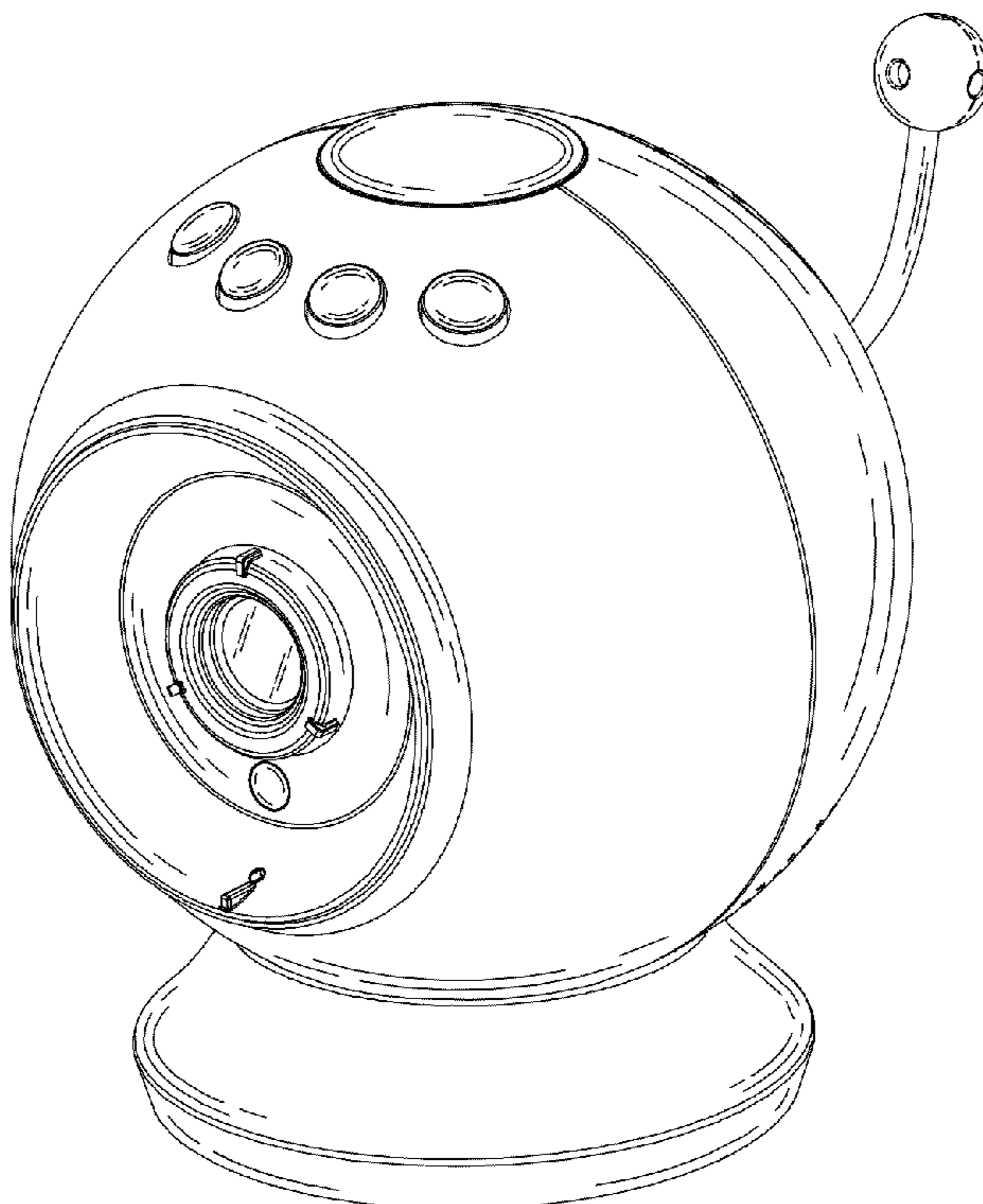
(30) **Foreign Application Priority Data**  
Sep. 5, 2013 (TW) ..... 102305959  
(51) **LOC (10) Cl.** ..... **16-01**  
(52) **U.S. Cl.**  
USPC ..... **D16/202**  
(58) **Field of Classification Search**  
USPC ..... D16/200, 202, 203, 208, 218, 242;  
348/373-374; 396/419, 427, 535-541  
See application file for complete search history.

(57) **CLAIM**  
The ornamental design for a webcam, as shown and described.

(56) **References Cited**  
U.S. PATENT DOCUMENTS  
D429,175 S \* 8/2000 Ha ..... D10/104.1  
D430,587 S \* 9/2000 Summit ..... D16/202

**DESCRIPTION**  
FIG. 1 is a front perspective view of a webcam showing my new design;  
FIG. 2 is a front elevational view thereof;  
FIG. 3 is a rear elevational view thereof;  
FIG. 4 is a left side elevational view thereof;  
FIG. 5 is a right side elevational view thereof;  
FIG. 6 is a top plan view thereof; and,  
FIG. 7 is a bottom plan view thereof.

**1 Claim, 7 Drawing Sheets**



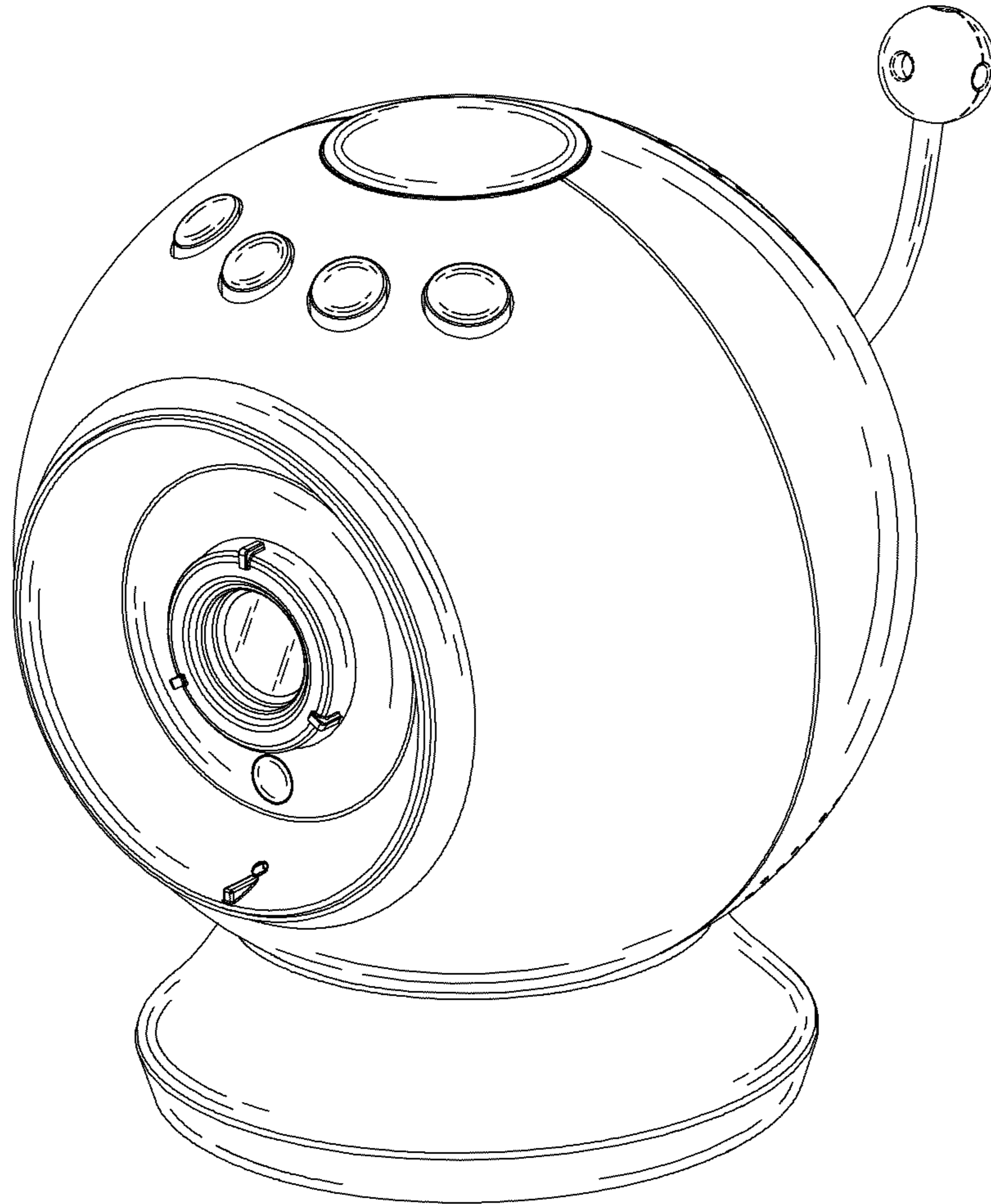


FIG. 1

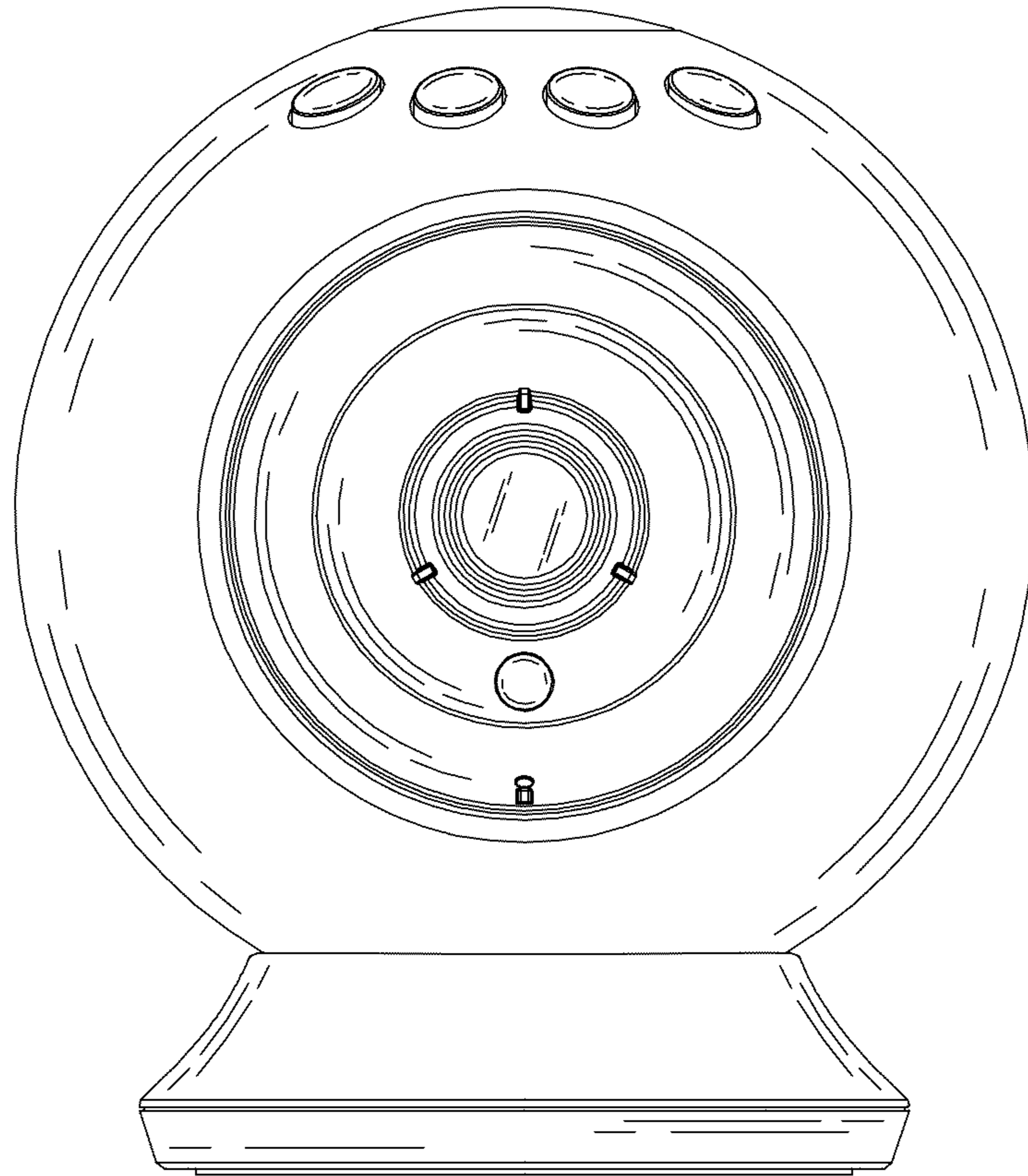


FIG. 2

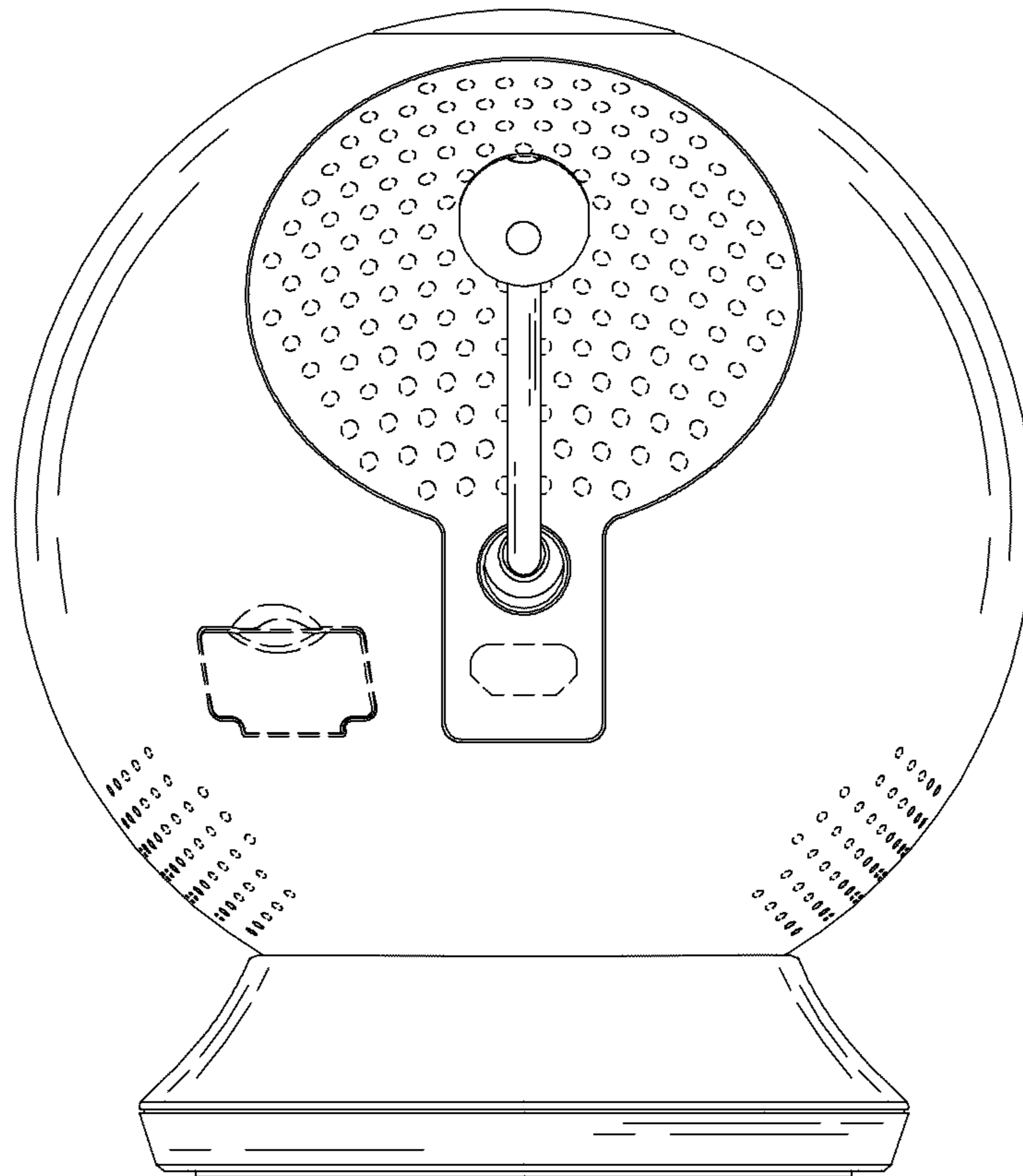


FIG. 3

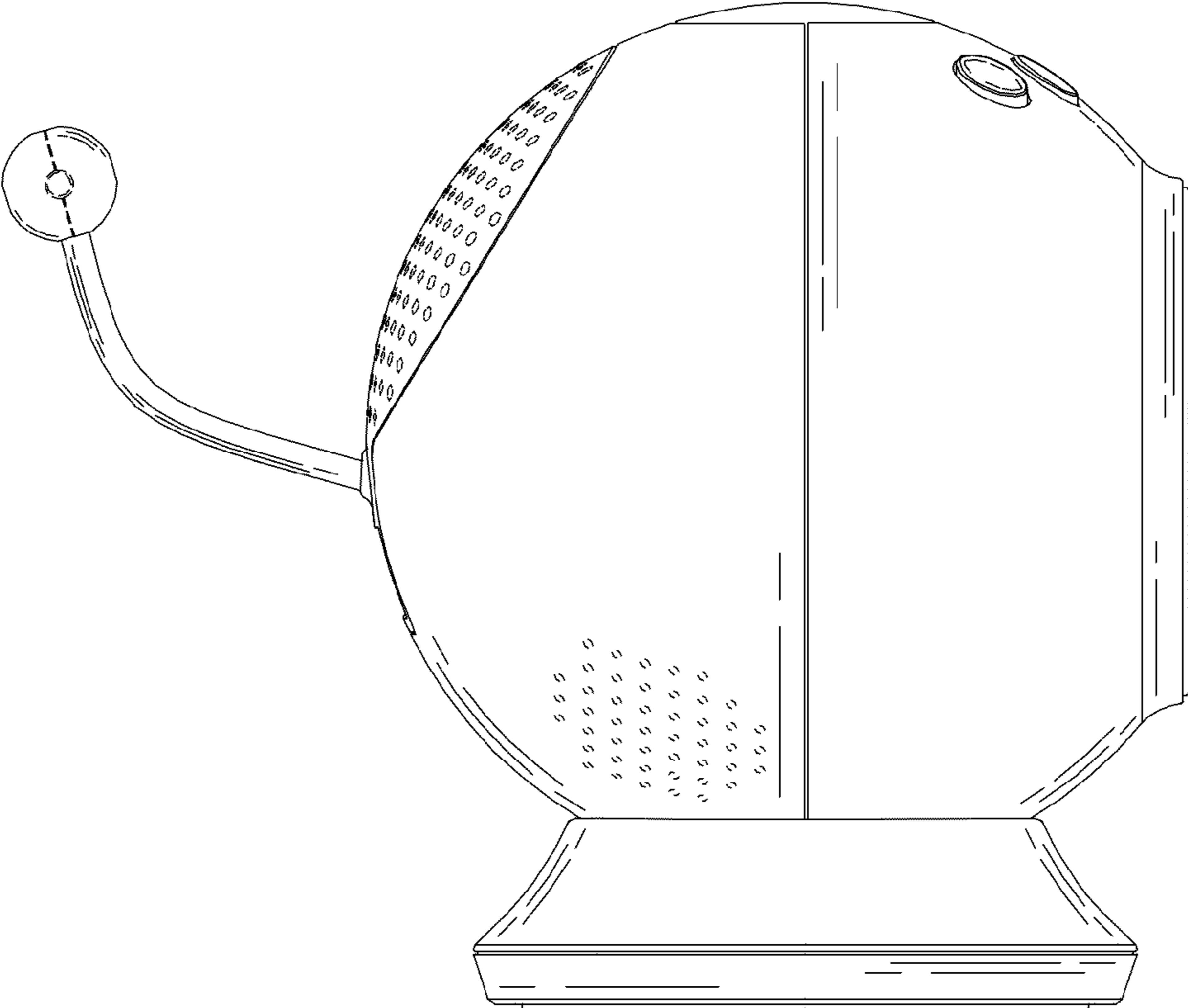


FIG. 4

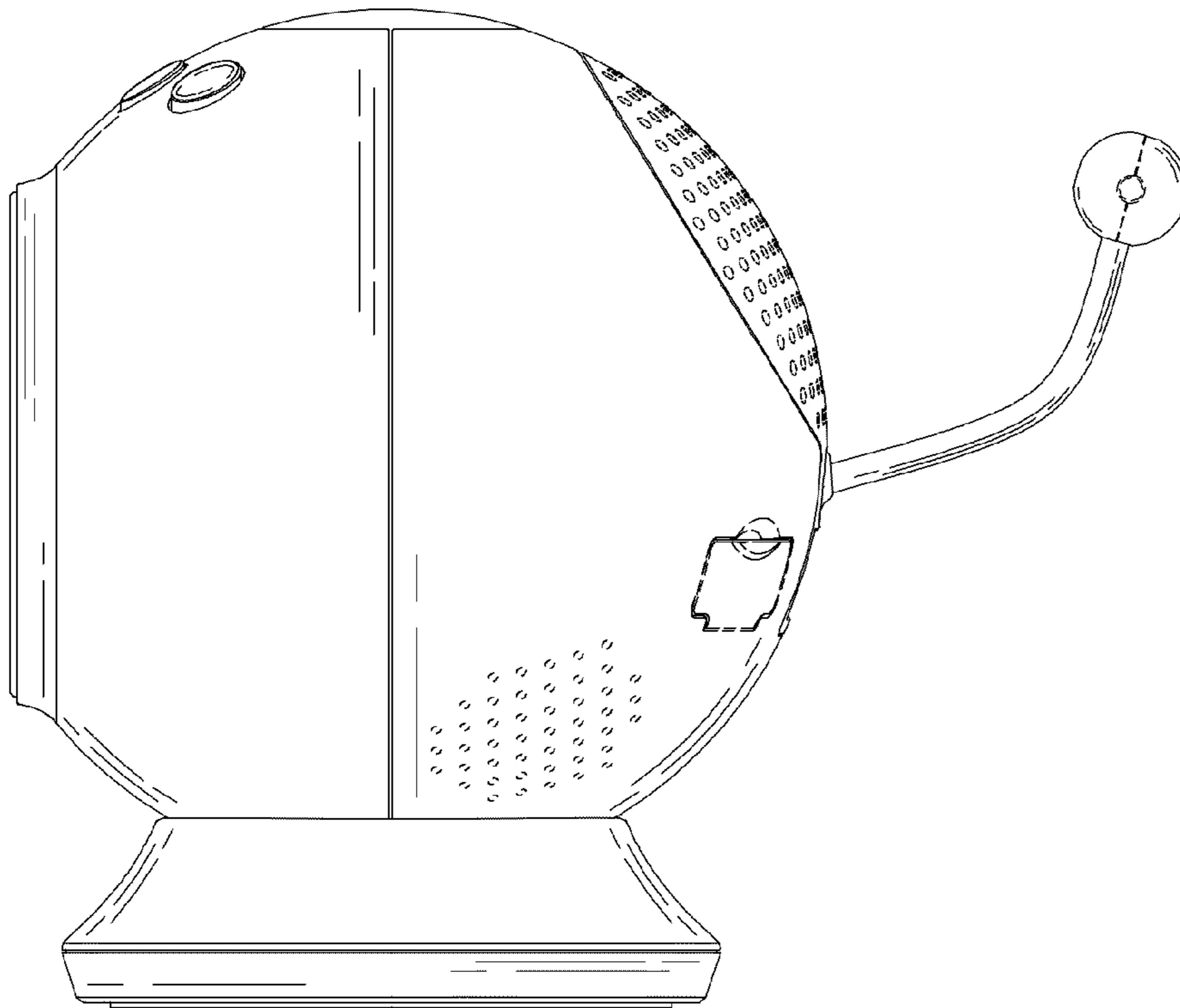


FIG. 5

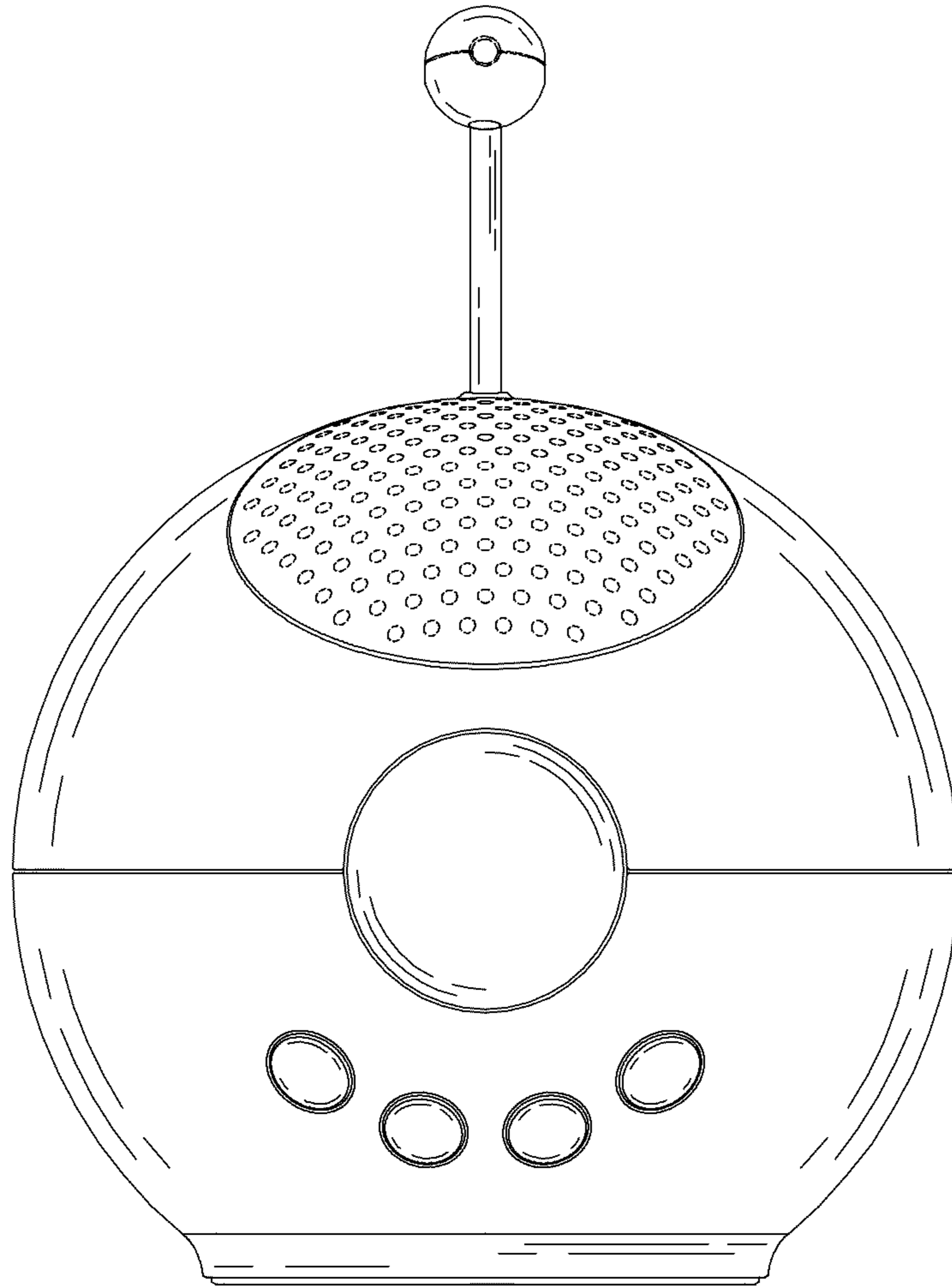


FIG. 6

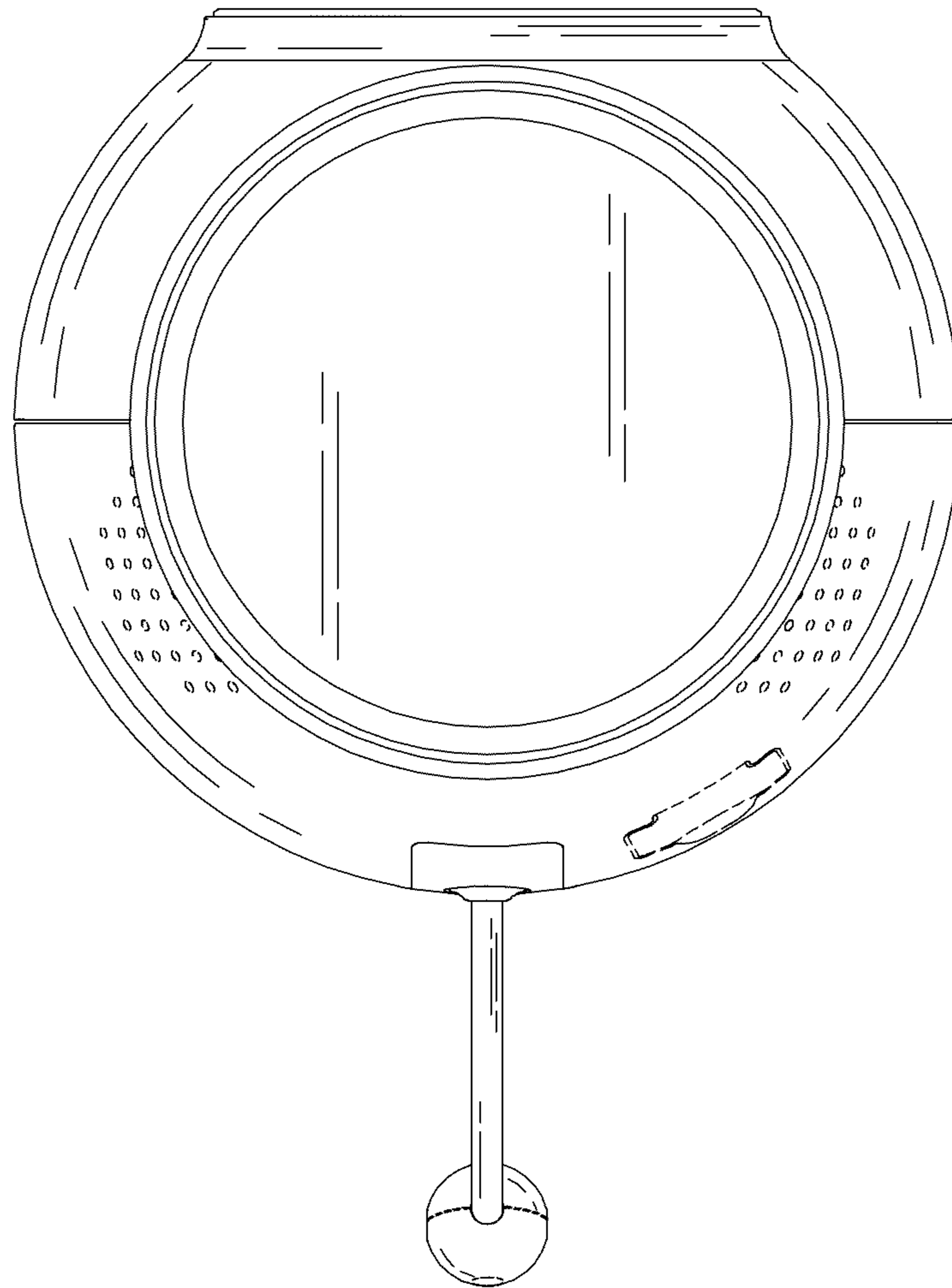


FIG. 7