



US00D730965S

(12) **United States Design Patent**
Ham et al.

(10) **Patent No.:** **US D730,965 S**
(45) **Date of Patent:** **** Jun. 2, 2015**

- (54) **DIGITAL CAMERA**
- (71) Applicant: **Samsung Electronics Co., Ltd.**,
Suwon-si (KR)
- (72) Inventors: **Min-Ki Ham**, Seoul (KR); **Chang-Sin Cho**, Seoul (KR)
- (73) Assignee: **Samsung Electronics Co., Ltd.**,
Suwon-si (KR)
- (**) Term: **14 Years**
- (21) Appl. No.: **29/473,317**
- (22) Filed: **Nov. 21, 2013**
- (30) **Foreign Application Priority Data**
May 21, 2013 (KR) 30-2013-0026330
- (51) **LOC (10) Cl.** **16-01**
- (52) **U.S. Cl.**
USPC **D16/202**
- (58) **Field of Classification Search**
USPC D16/200, 202–206, 208, 218, 219;
348/373–376; 396/535, 539–541
CPC G03B 15/03; G03B 17/02; G03B 17/04;
G03B 17/56; G03B 19/04; H04N 5/2251;
H04N 5/2252; H04N 5/2253; H04N 5/2254;
H04N 2101/00
See application file for complete search history.

- (56) **References Cited**
U.S. PATENT DOCUMENTS
D681,712 S * 5/2013 Kim et al. D16/202
D681,713 S * 5/2013 Kim et al. D16/202
D682,333 S * 5/2013 Kim et al. D16/202
D682,334 S * 5/2013 InShik et al. D16/202
D685,834 S * 7/2013 Chai et al. D16/202
D695,803 S * 12/2013 Kyunghan et al. D16/202
D701,892 S * 4/2014 Jang et al. D16/202
D712,947 S * 9/2014 Chai D16/202

- D712,948 S * 9/2014 Chai D16/202
- D712,949 S * 9/2014 Kwon et al. D16/202
- D717,353 S * 11/2014 Kobayashi et al. D16/202
- D717,852 S * 11/2014 Kim et al. D16/202
- 2013/0335623 A1 * 12/2013 Furuyama et al. 348/373

* cited by examiner

Primary Examiner — Adir Aronovich
Assistant Examiner — Ramzi Almatrahi
(74) *Attorney, Agent, or Firm* — NSIP Law

(57) **CLAIM**
The ornamental design for a digital camera, as shown and described.

DESCRIPTION

FIG. 1 is a front perspective view of a digital camera showing our new design;
 FIG. 2 is a front view thereof;
 FIG. 3 is a rear view thereof;
 FIG. 4 is a left-side view thereof;
 FIG. 5 is a right-side view thereof;
 FIG. 6 is a top view thereof;
 FIG. 7 is a bottom view thereof;
 FIG. 8 is an enlarged view of the encircled portion located at the top left side of FIG. 1;
 FIG. 9 is an enlarged view of the encircled portion located at the top right side of FIG. 1;
 FIG. 10 is an enlarged view of the encircled portion located at the bottom right side of FIG. 1;
 FIG. 11 is an enlarged view of the encircled portion located at the top left side of FIG. 2; and
 FIG. 12 is an enlarged view of the encircled portion located at the bottom right side of FIG. 2.
 The broken lines depict portions of a digital camera in which the design is embodied and form no part of the claimed design.
 The dot-dash broken lines encircling portions of the claimed design that are illustrated in enlargements form no part of the claimed design.

1 Claim, 7 Drawing Sheets

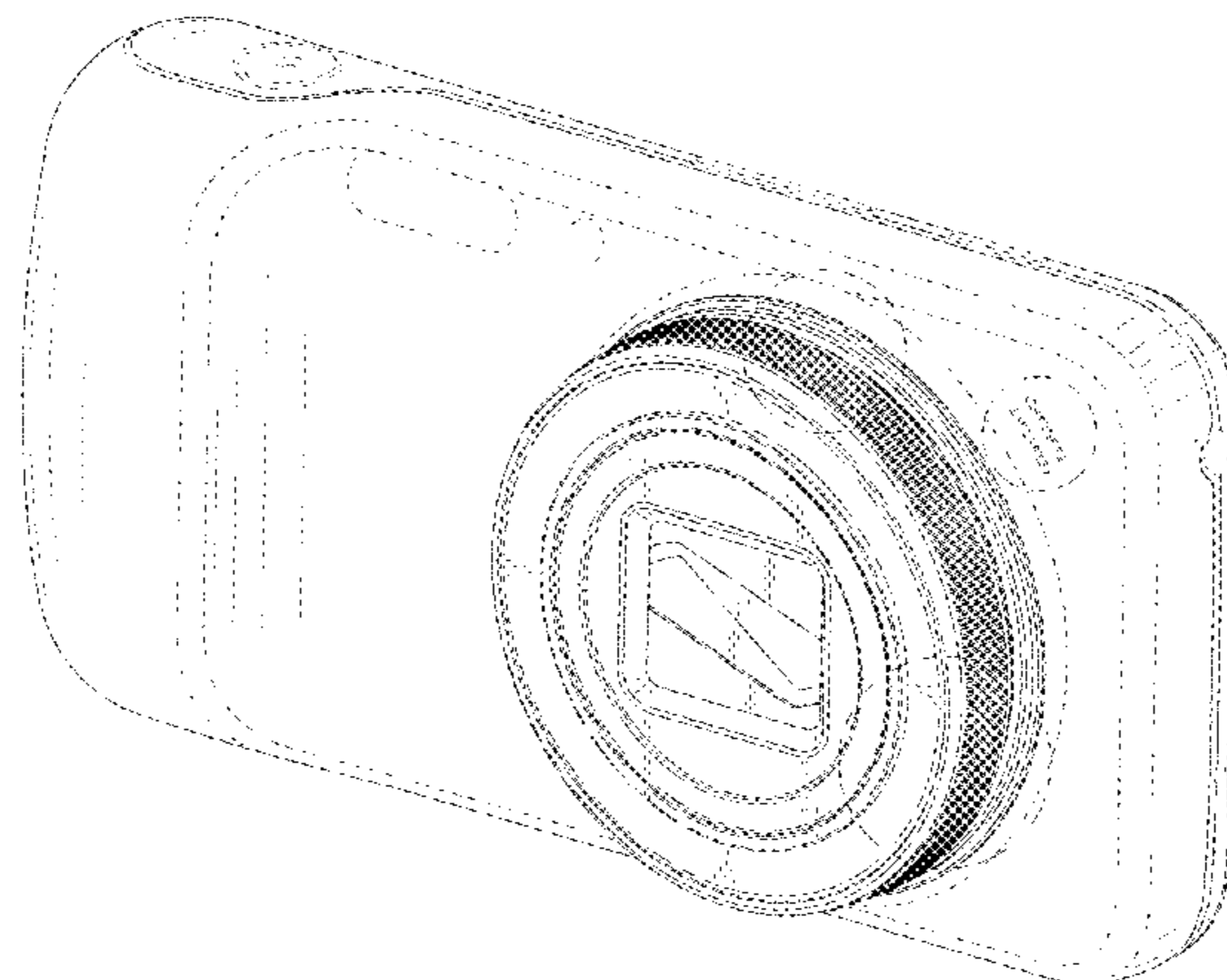


FIG. 1

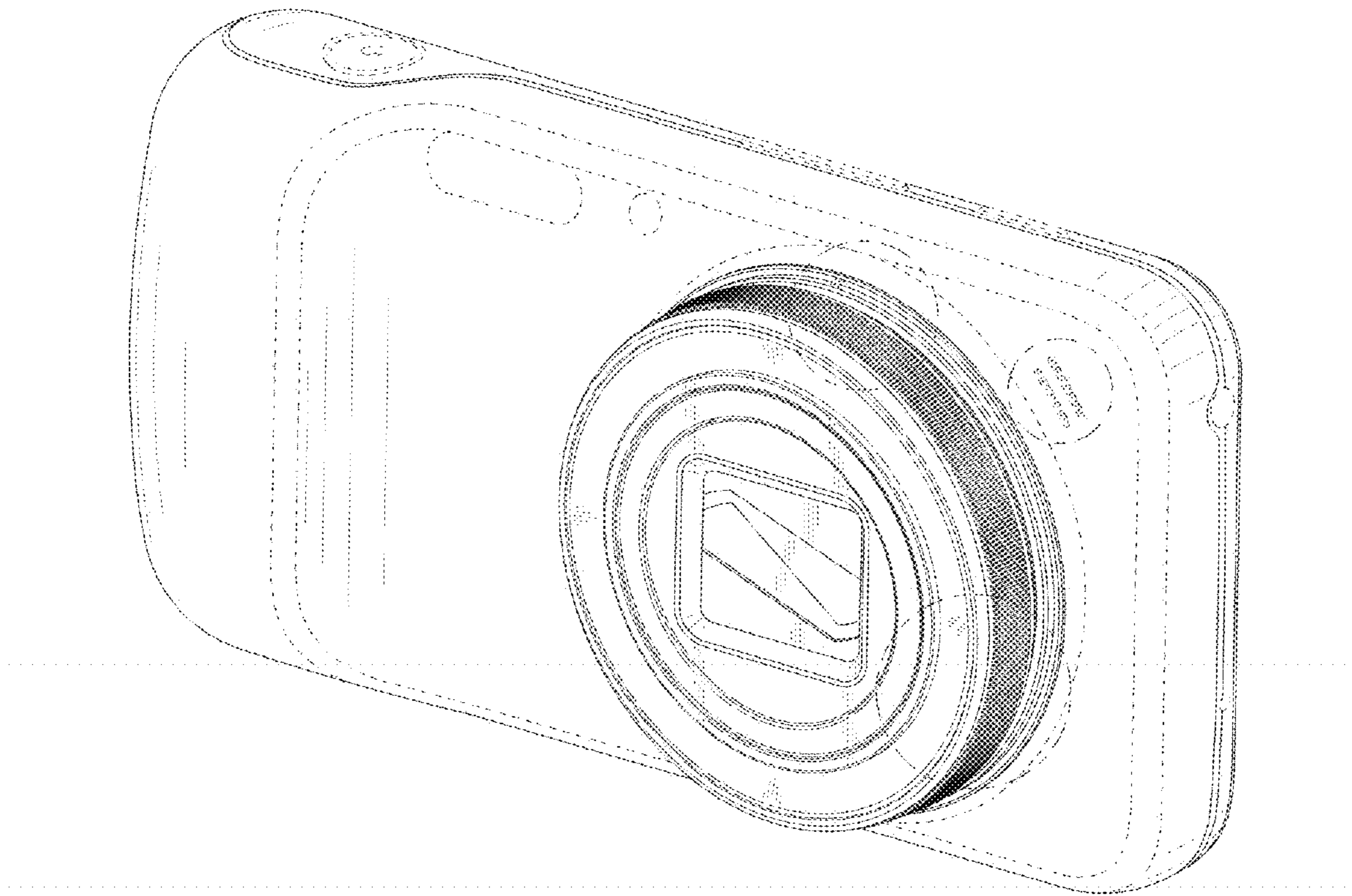


FIG.2

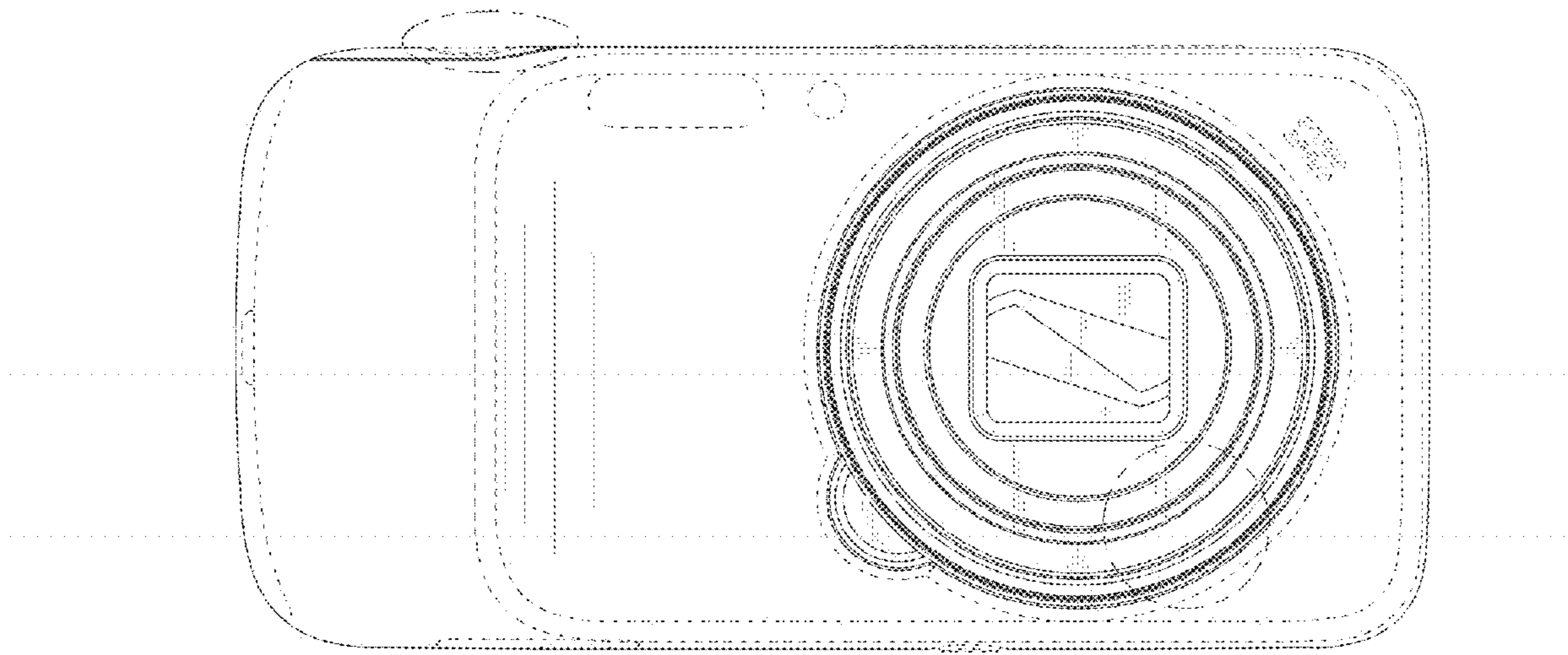


FIG.3

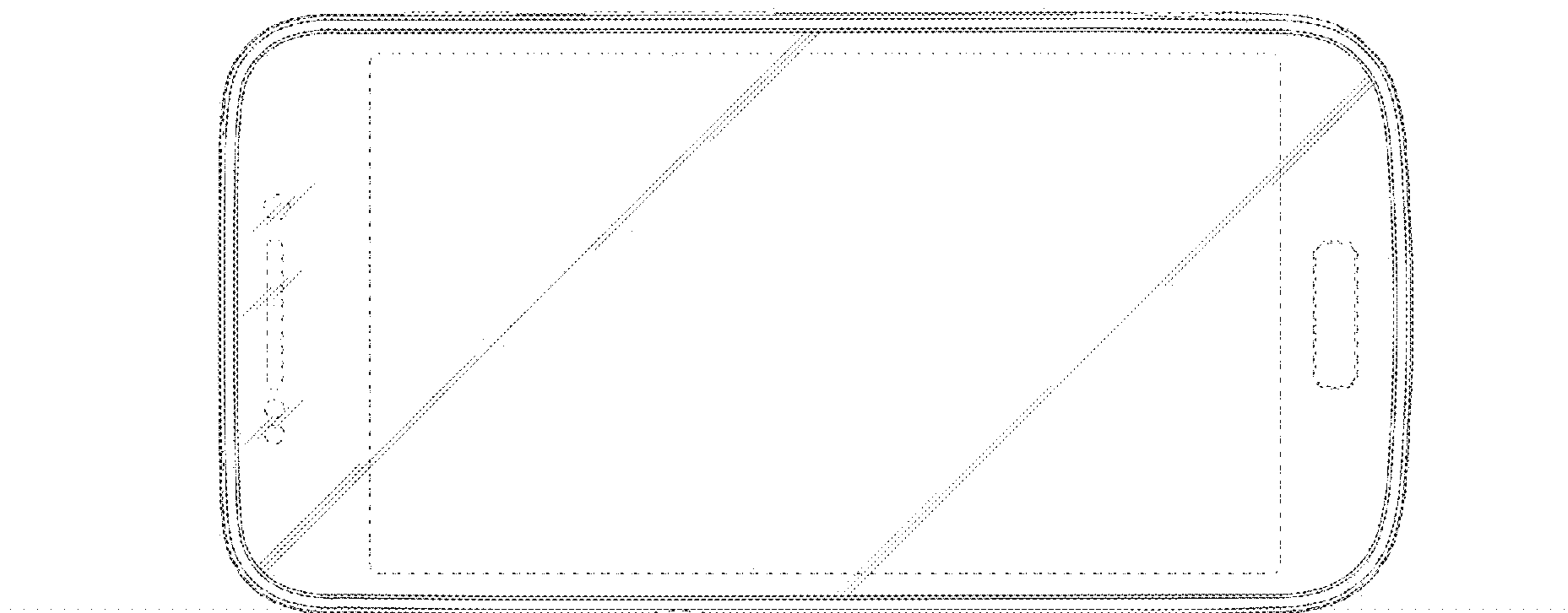


FIG.4

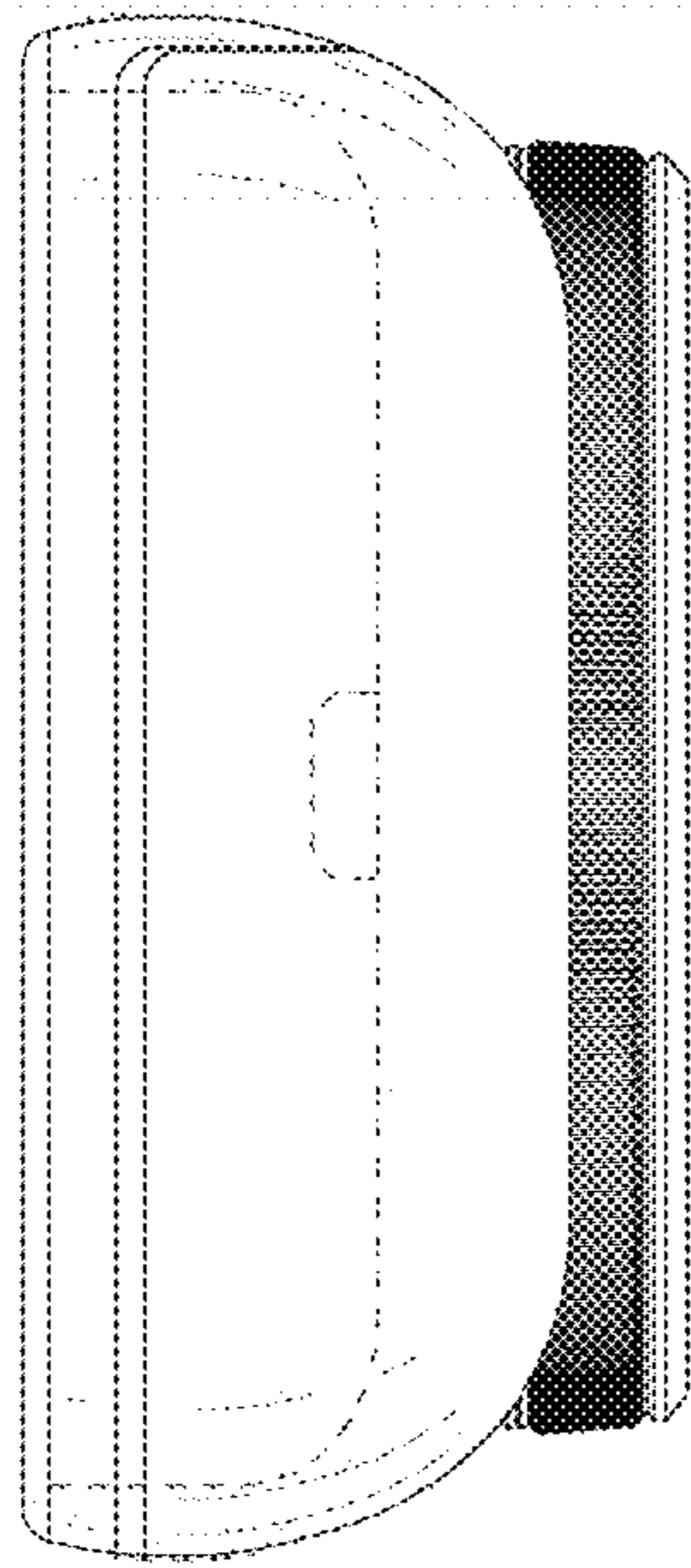


FIG.5

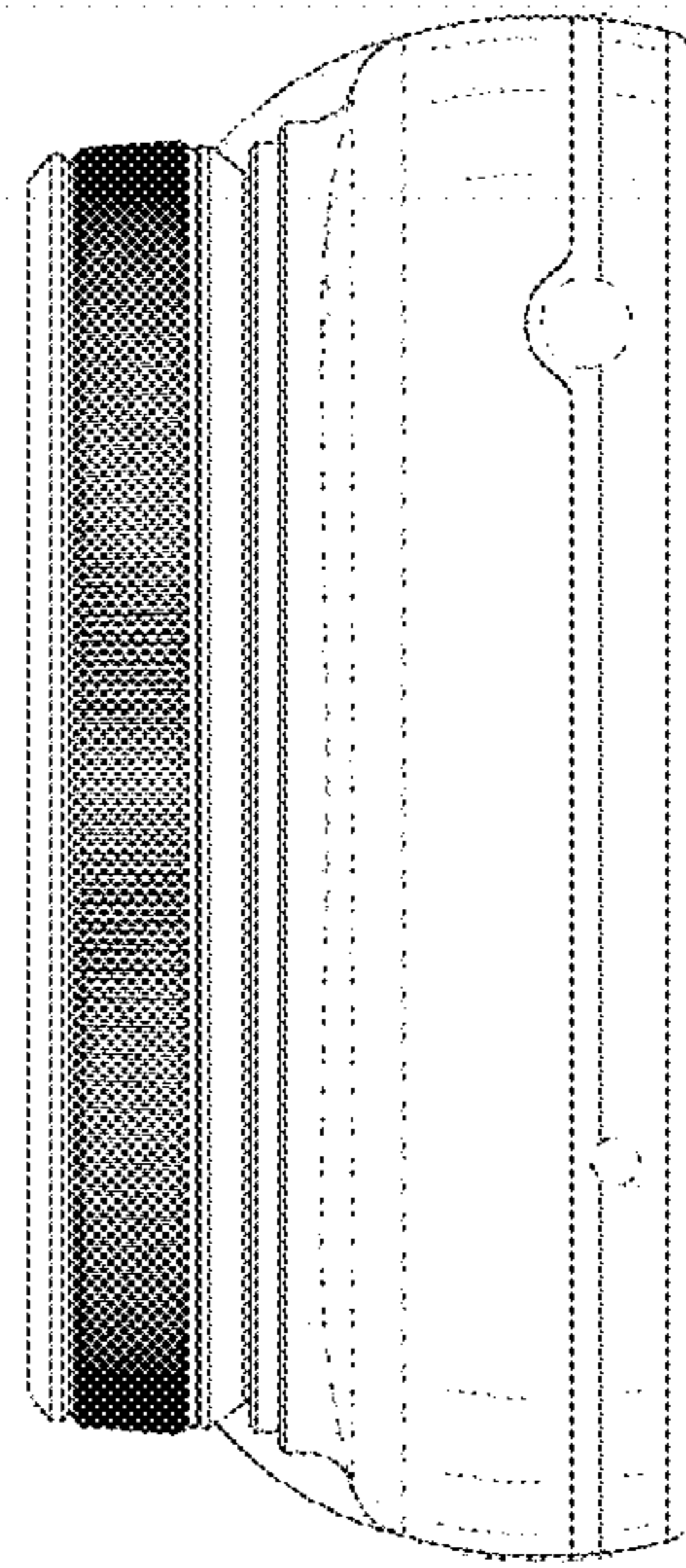


FIG.6

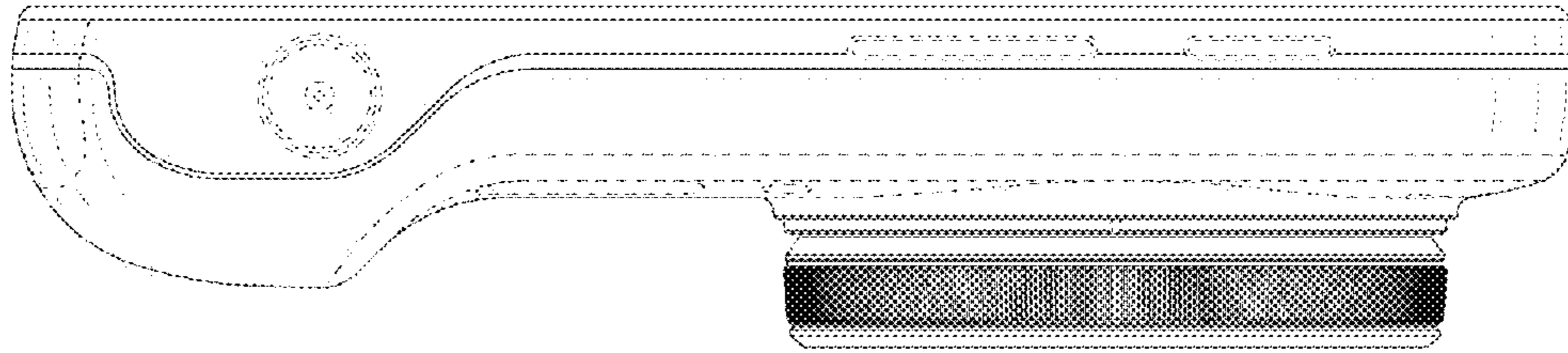


FIG.7

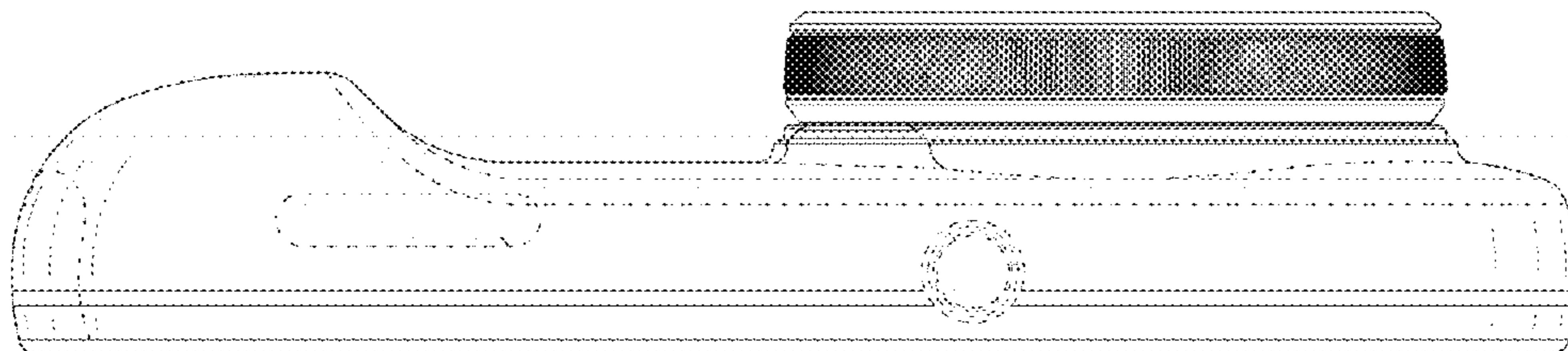


FIG.8

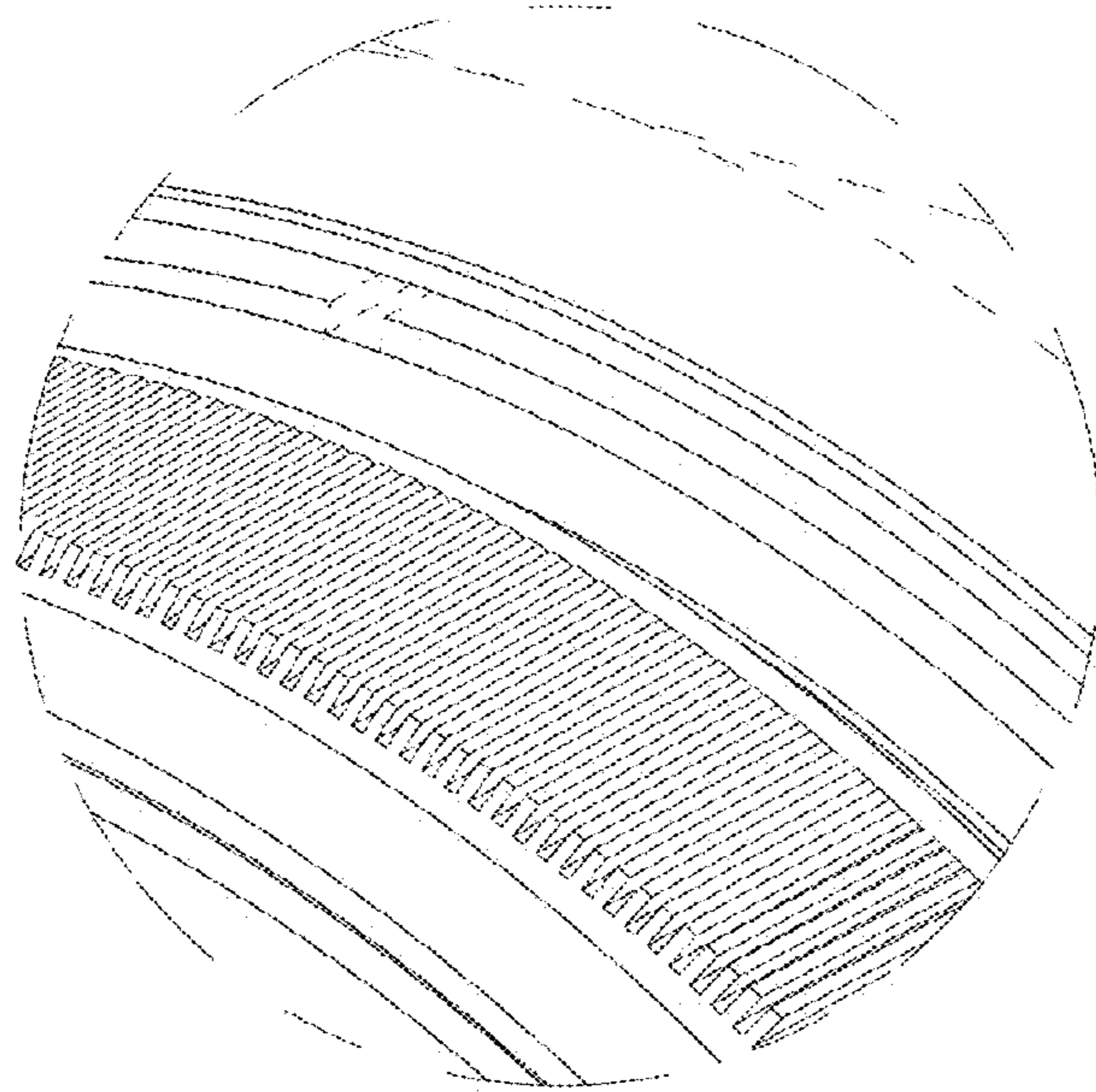


FIG.9

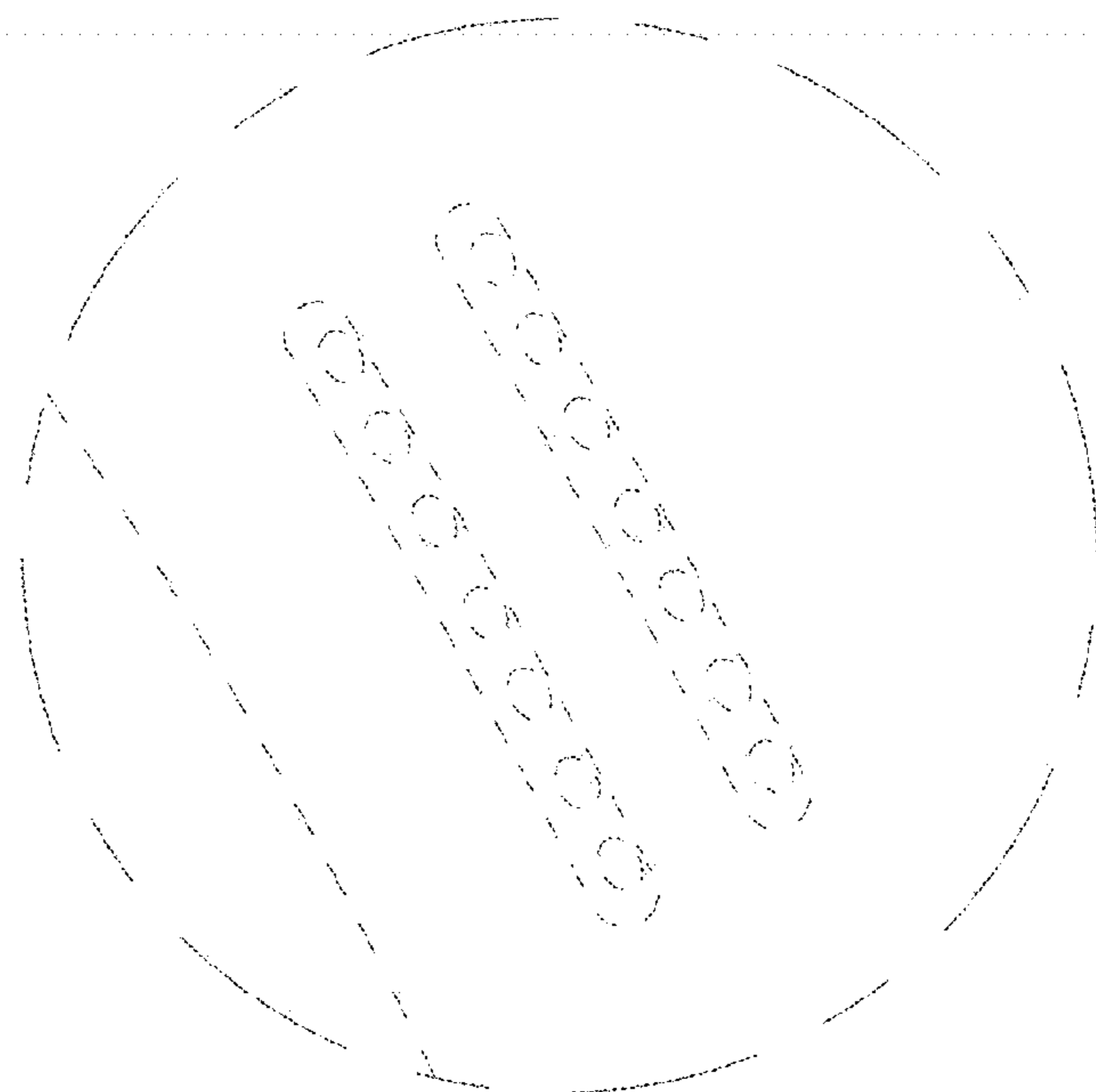


FIG.10

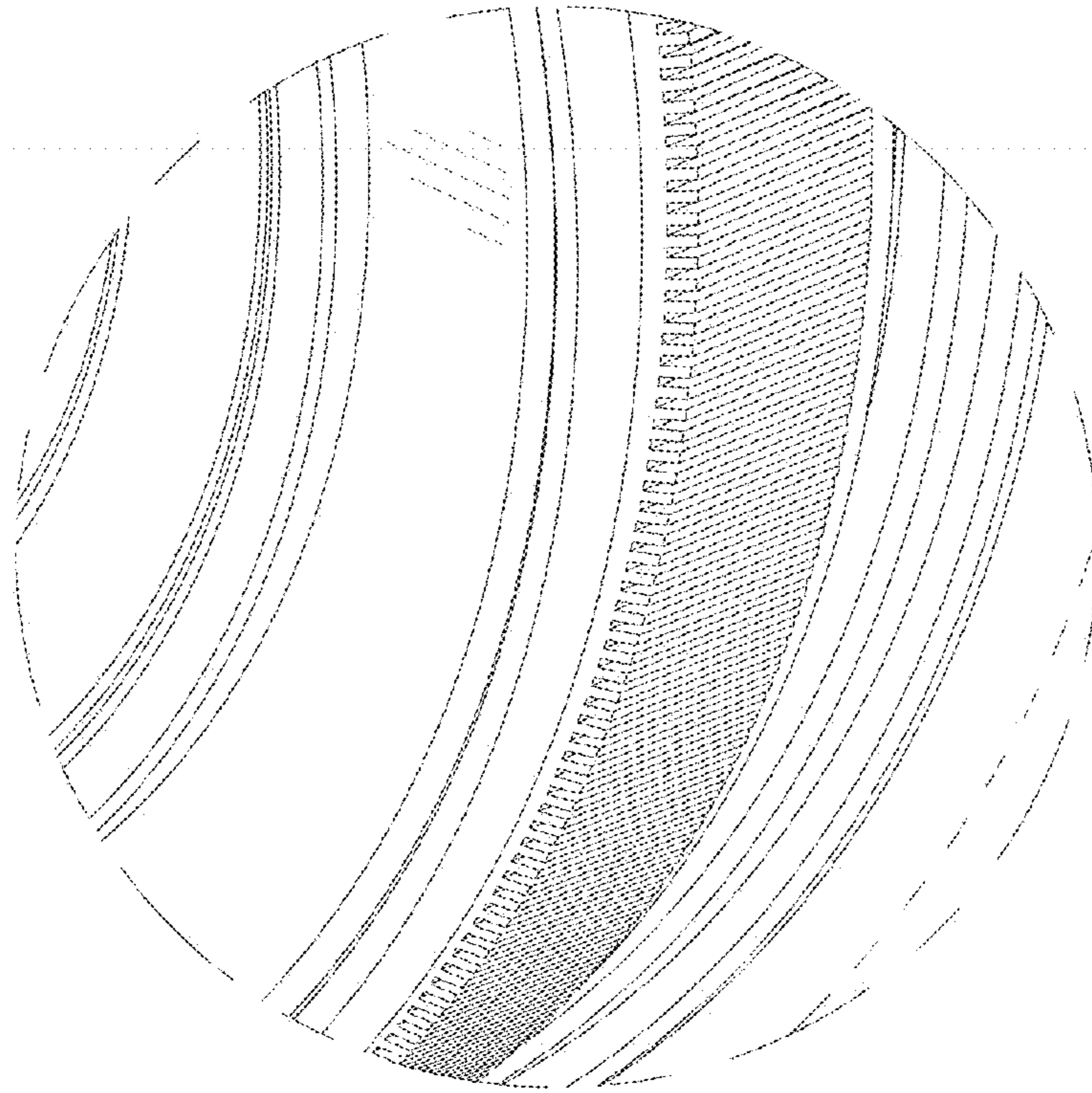


FIG.11



FIG.12

