



US00D730964S

(12) **United States Design Patent**
Jang et al.

(10) **Patent No.:** **US D730,964 S**
(45) **Date of Patent:** **** *Jun. 2, 2015**

(54) **DIGITAL CAMERA**

(71) Applicant: **SAMSUNG ELECTRONICS CO., LTD.**, Gyeonggi-do (KR)

(72) Inventors: **Seung-Ho Jang**, Sungnam-si (KR);
Joo-Hyung Kim, Seoul (KR)

(73) Assignee: **Samsung Electronics Co., Ltd.**,
Suwon-si (KR)

(*) Notice: This patent is subject to a terminal disclaimer.

(**) Term: **14 Years**

(21) Appl. No.: **29/449,357**

(22) Filed: **Mar. 15, 2013**

(30) **Foreign Application Priority Data**

Sep. 28, 2012 (KR) 30-2012-0047008

(51) **LOC (10) Cl.** **16-01**

(52) **U.S. Cl.**
USPC **D16/202**

(58) **Field of Classification Search**
USPC D16/200, 202–206, 208, 209, 218, 219;
348/373–376; 396/535, 539–541
CPC G03B 15/03; G03B 17/02; G03B 17/04;
G03B 17/56; G03B 19/04; H04N 5/2251;
H04N 5/2252; H04N 5/2253; H04N 5/2254;
H04N 2101/00

See application file for complete search history.

(56) **References Cited**

U.S. PATENT DOCUMENTS

D546,862	S *	7/2007	Tainaka	D16/219
D601,603	S *	10/2009	Jang et al.	D16/202
7,646,426	B2 *	1/2010	Saiki et al.	348/373
7,792,424	B2 *	9/2010	Chen	396/540
8,248,522	B2 *	8/2012	Hsieh et al.	348/373
D681,712	S *	5/2013	Kim et al.	D16/202
D682,334	S *	5/2013	InShik et al.	D16/202
D688,719	S *	8/2013	Imai	D16/202
D689,109	S *	9/2013	Kim et al.	D16/202
2013/0051786	A1 *	2/2013	Matsuzawa	396/535

* cited by examiner

Primary Examiner — Philip S Hyder

Assistant Examiner — Ramzi Almatrahi

(74) *Attorney, Agent, or Firm* — Ladas & Parry LLP

(57) **CLAIM**

We claim the ornamental design for a digital camera, as shown and described.

DESCRIPTION

FIG. 1 is a front, left and top perspective view of a digital camera showing our new design;

FIG. 2 is a front-side elevational view thereof;

FIG. 3 is a rear-side elevational view thereof;

FIG. 4 is a left-side elevational view thereof;

FIG. 5 is a right-side elevational view thereof;

FIG. 6 is a top-side elevational view thereof; and,

FIG. 7 is a bottom-side elevational view thereof.

The broken lines depict portions of the camera in which the design is embodied that are not considered part of the claimed design.

1 Claim, 7 Drawing Sheets

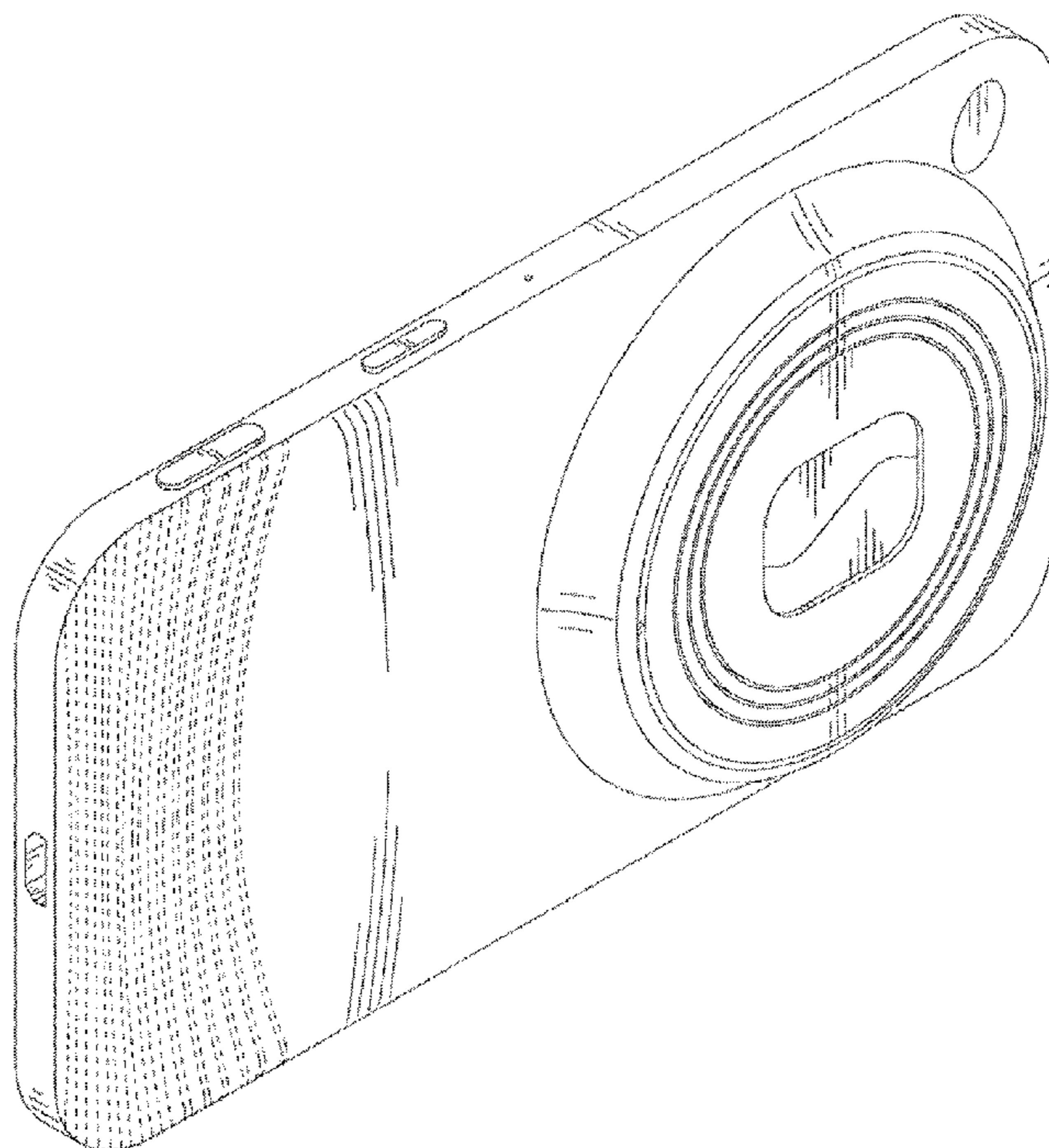


Fig. 1

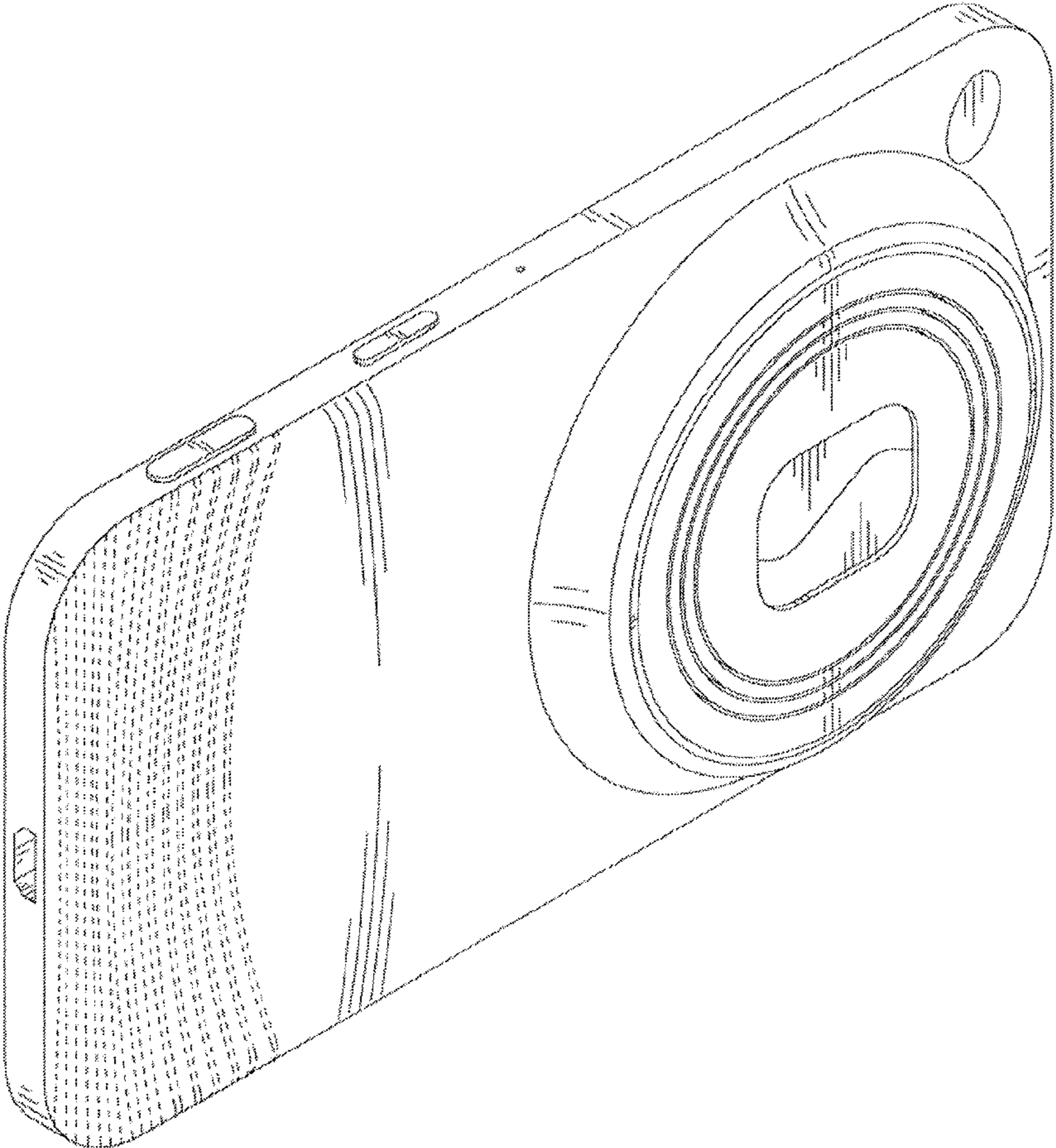


Fig. 2

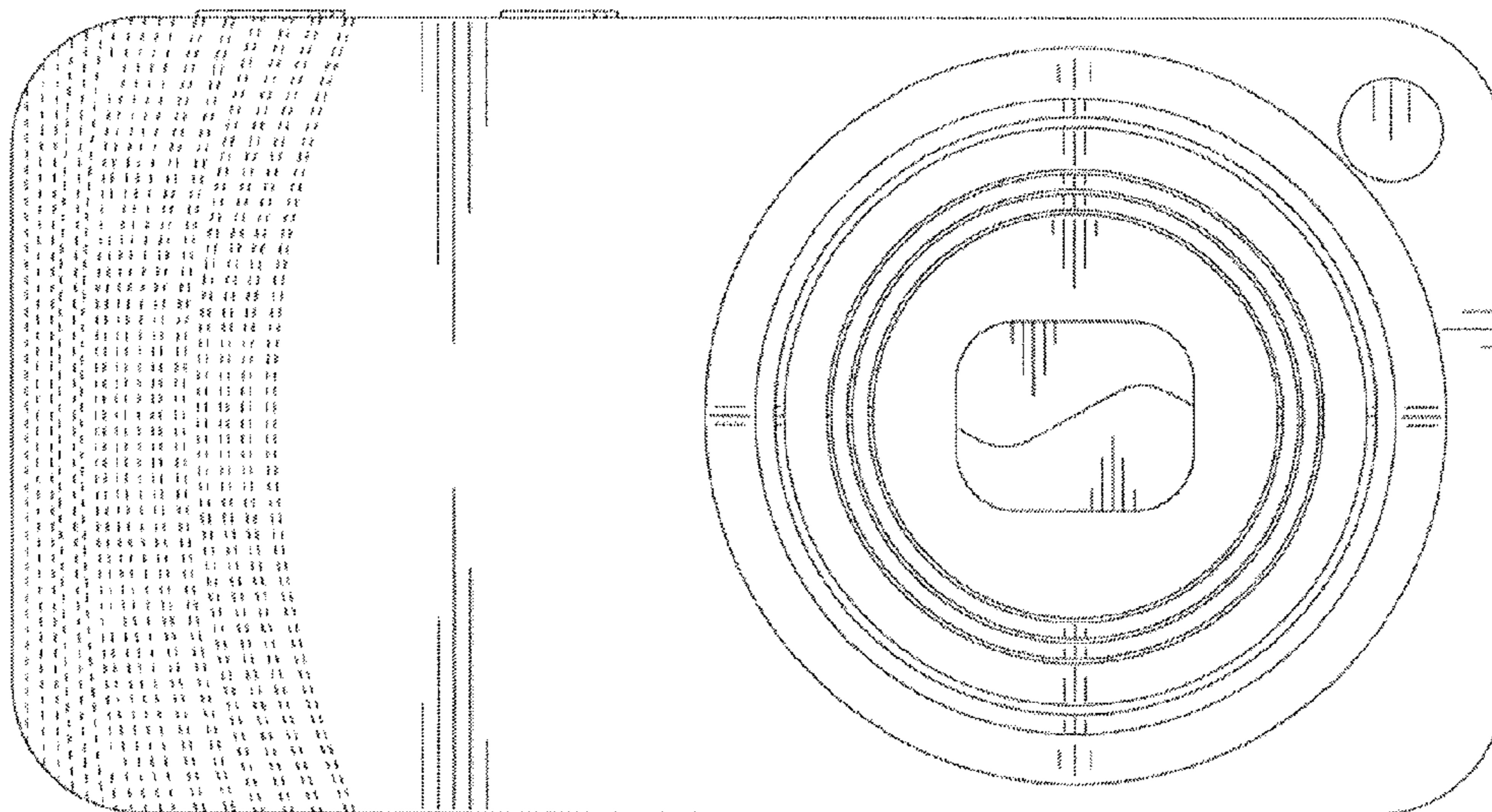


Fig. 3

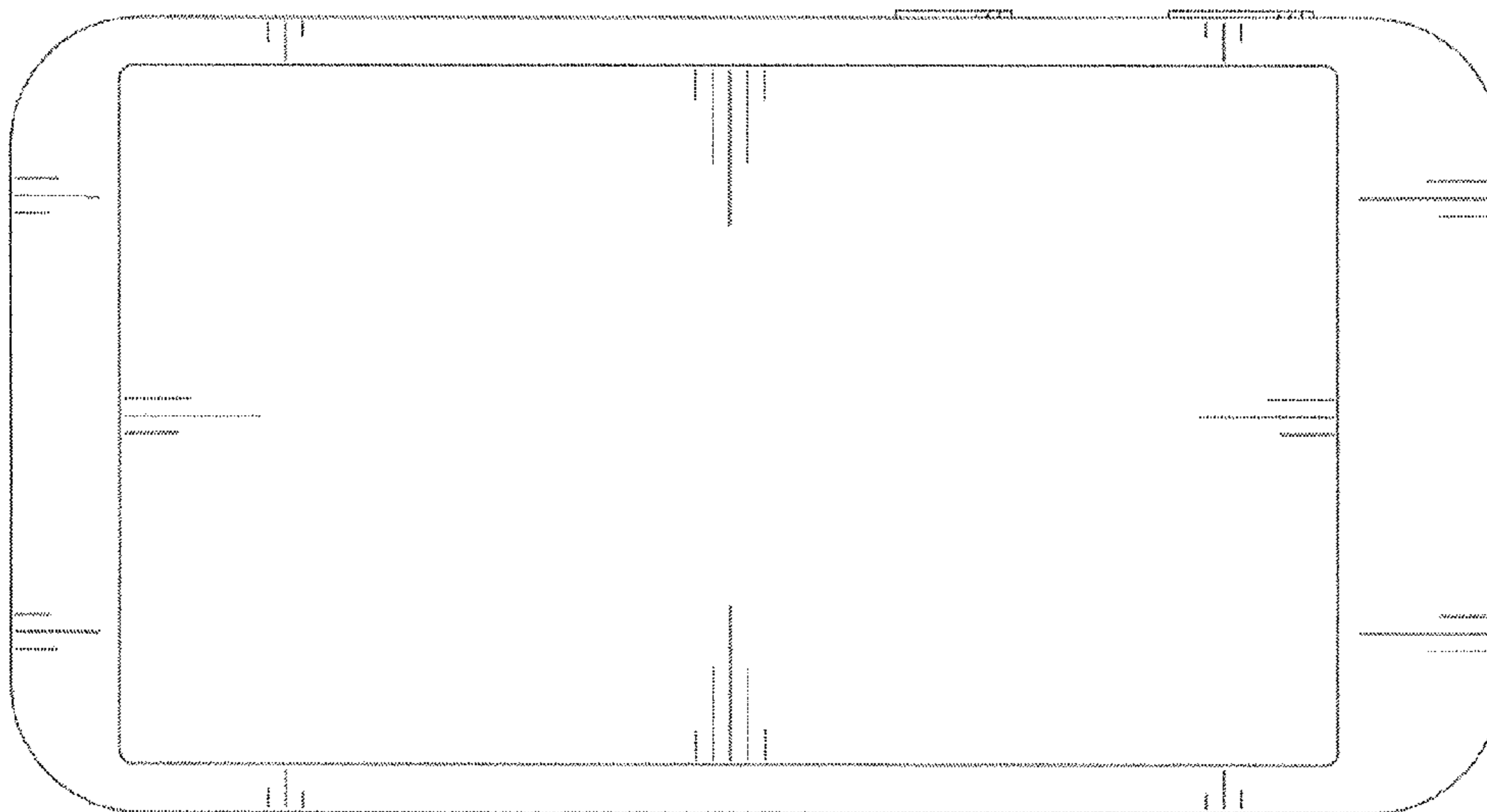


Fig. 4

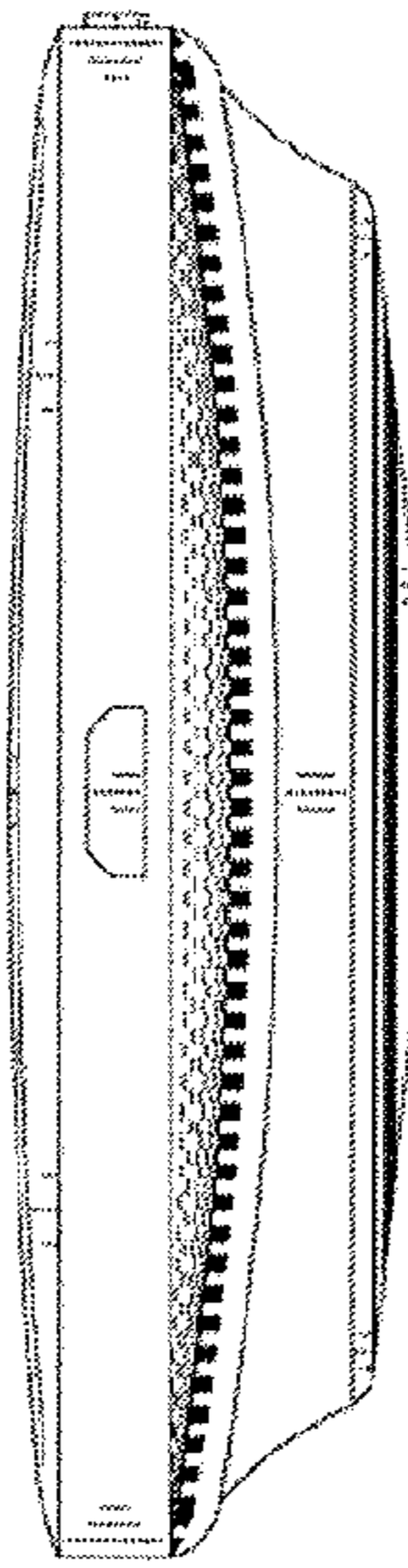


Fig. 5

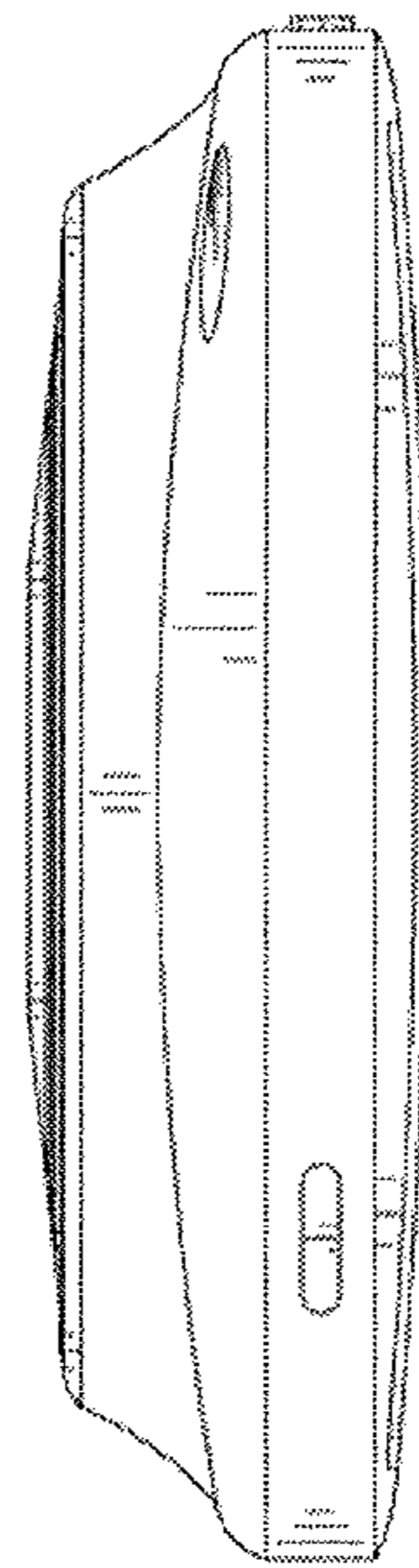


Fig. 6

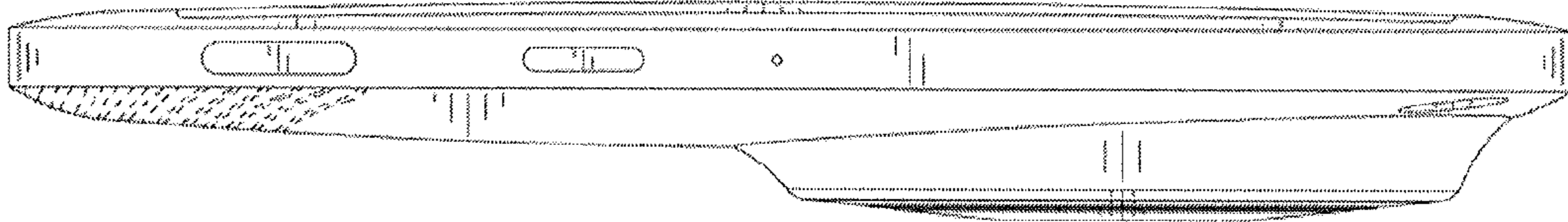


Fig. 7

