



US00D730963S

(12) **United States Design Patent**  
**Lin**

(10) **Patent No.:** **US D730,963 S**  
(45) **Date of Patent:** **\*\* Jun. 2, 2015**

- (54) **PAPER CASE OF A CAMERA**
- (71) Applicant: **PAPER SHOOT TECHNOLOGIES CO., LTD.**, Taipei (TW)
- (72) Inventor: **Chiu-Min Lin**, Taipei (TW)
- (73) Assignee: **PAPER SHOOT TECHNOLOGIES CO., LTD.**, Taipei (TW)
- (\*\*) Term: **14 Years**
- (21) Appl. No.: **29/475,173**
- (22) Filed: **Nov. 30, 2013**
- (51) **LOC (10) Cl.** ..... **16-01**
- (52) **U.S. Cl.**  
USPC ..... **D16/200; D9/432**
- (58) **Field of Classification Search**  
USPC ..... D9/432, 433, 600; D16/200, 202–204,  
D16/208, 211, 218, 219; 348/373–376;  
396/535, 539–541; 206/316.2  
CPC ..... G03B 15/03; G03B 17/02; G03B 17/04;  
G03B 17/08; G03B 17/56; G03B 19/04;  
H04N 5/2251; H04N 5/2252; H04N 5/2253;  
H04N 5/2254  
See application file for complete search history.

- D381,902 S \* 8/1997 Chapman et al. .... D9/433
- D417,150 S \* 11/1999 Shapiro ..... D9/432
- D434,981 S \* 12/2000 Shapiro ..... D9/432
- D502,197 S \* 2/2005 Imai ..... D16/202
- D506,767 S \* 6/2005 Imai ..... D16/202
- 2003/0035052 A1\* 2/2003 Baron ..... 348/207.99
- 2008/0122970 A1\* 5/2008 Lin ..... 348/373

\* cited by examiner

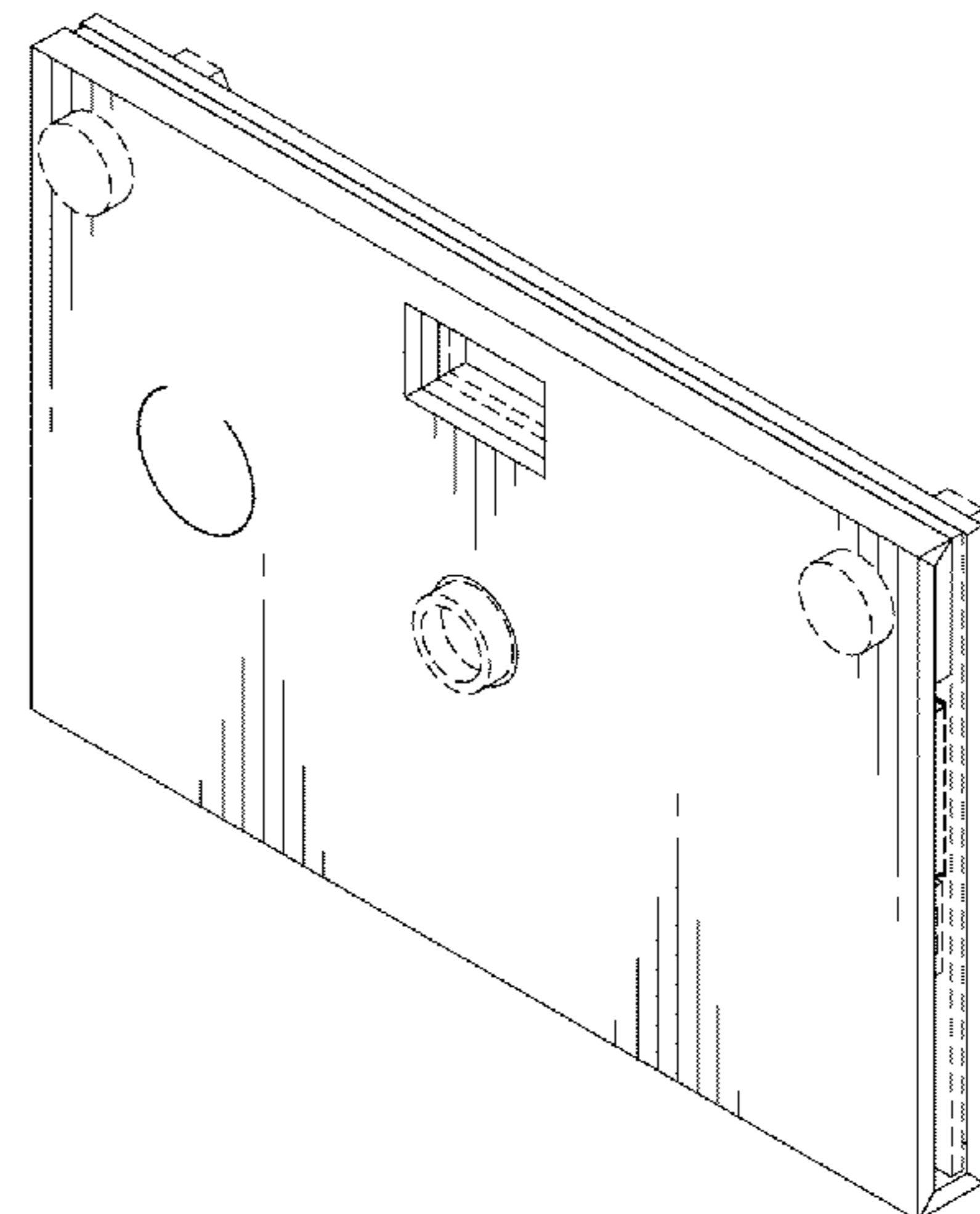
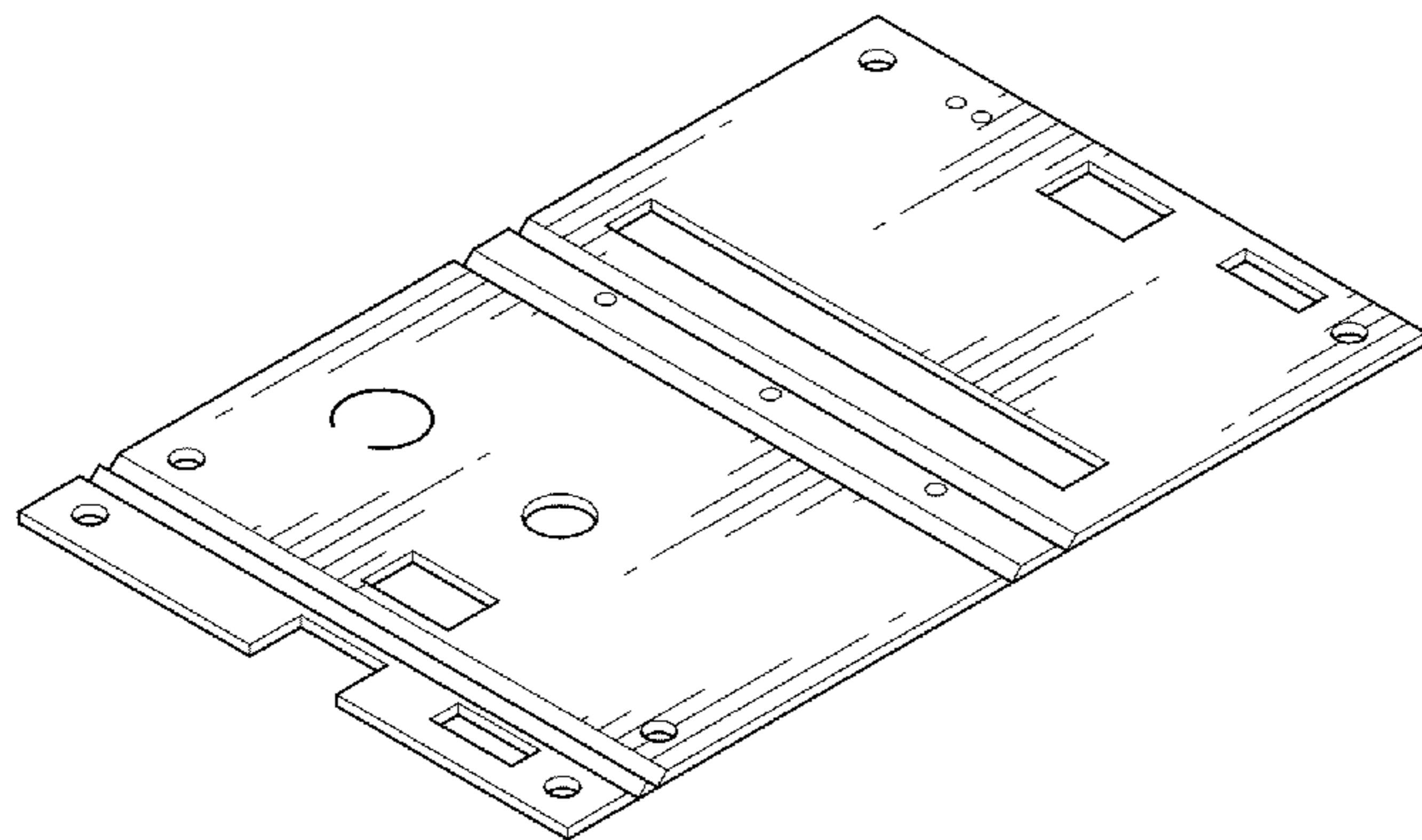
*Primary Examiner* — Adir Aronovich  
*Assistant Examiner* — Ramzi Almatrahi  
(74) *Attorney, Agent, or Firm* — Li & Cai Intellectual Property (USA) Office

- (56) **References Cited**  
U.S. PATENT DOCUMENTS  
D200,126 S \* 1/1965 Drucker ..... D16/200  
D312,782 S \* 12/1990 Arai et al. .... D9/600  
D315,727 S \* 3/1991 Arai et al. .... D16/218  
D323,842 S \* 2/1992 Arai ..... D16/208  
D323,843 S \* 2/1992 Arai ..... D16/208

(57) **CLAIM**  
The ornamental design for a “paper case of a camera,” as shown and described.

**DESCRIPTION**  
FIG. 1 is a top perspective view of a paper case of a camera showing my new design;  
FIG. 2 is a front view thereof;  
FIG. 3 is a rear view thereof;  
FIG. 4 is a left side view thereof;  
FIG. 5 is a right side view thereof;  
FIG. 6 is a top view thereof;  
FIG. 7 is a bottom view thereof; and,  
FIG. 8 is a front perspective view thereof, showing the paper case of a camera in use.  
The broken lines depict portions of the paper case of a camera which form no part of the claimed design.

**1 Claim, 6 Drawing Sheets**



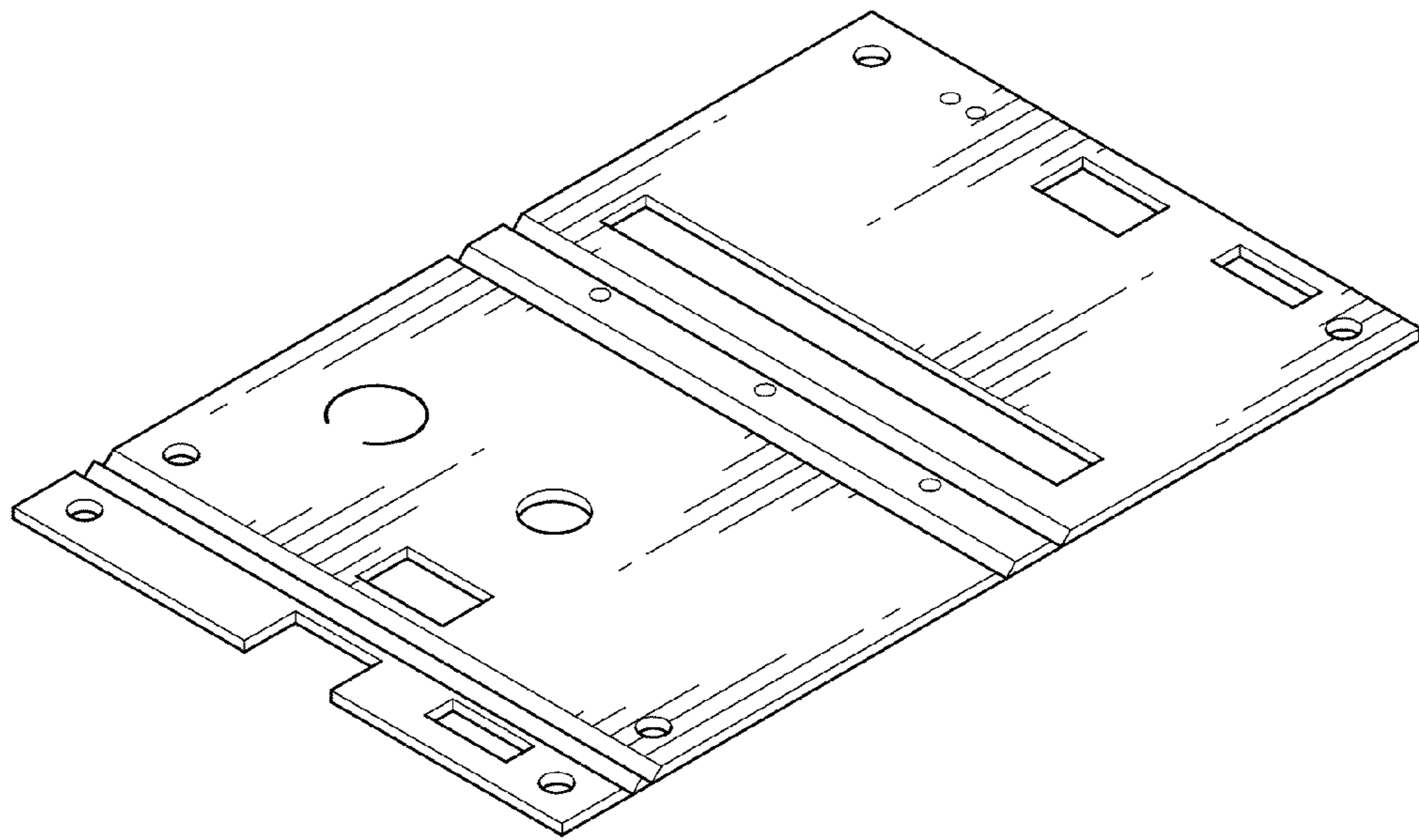


FIG.1



FIG.2



FIG.3



FIG.4



FIG.5

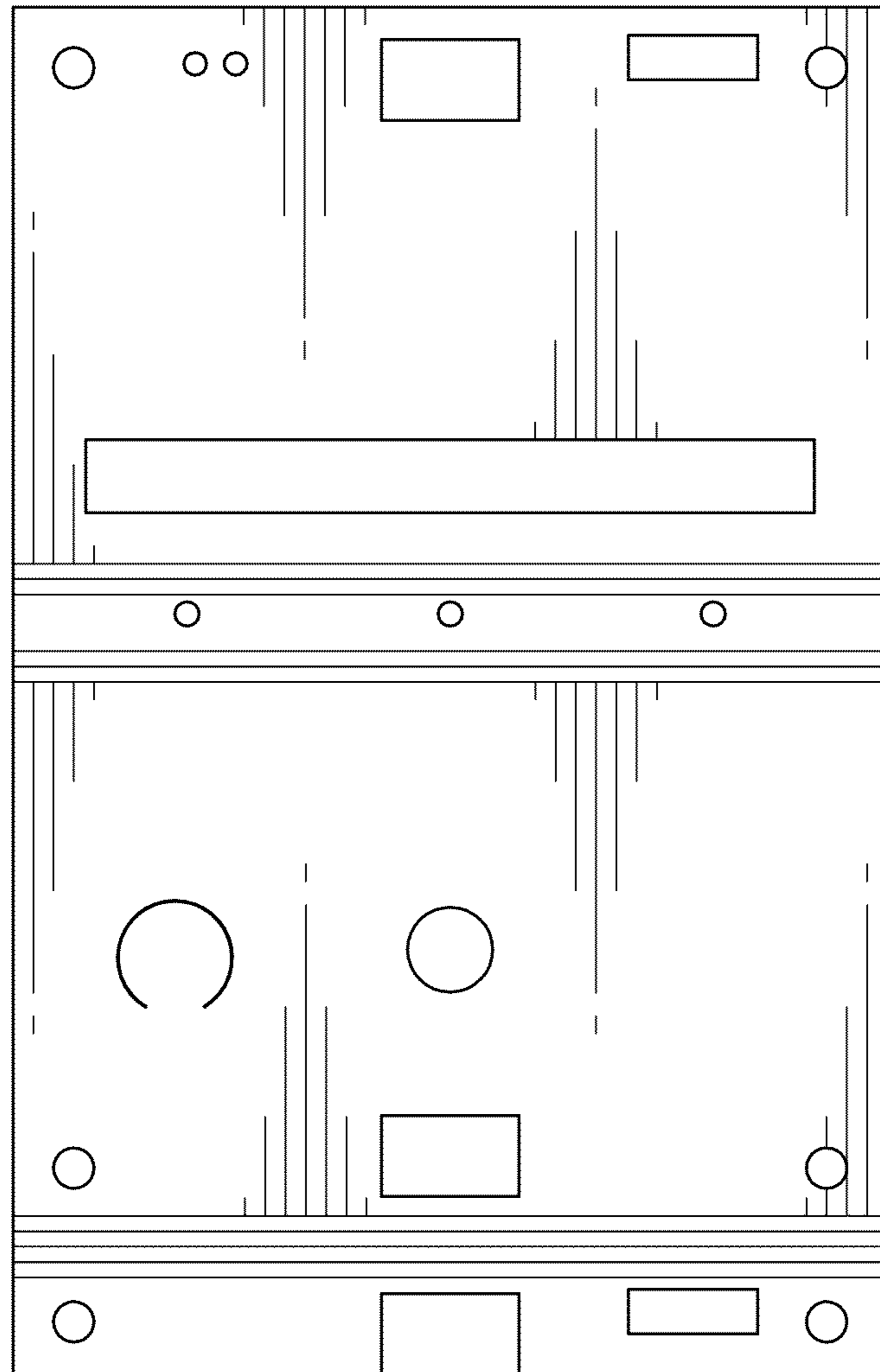


FIG.6

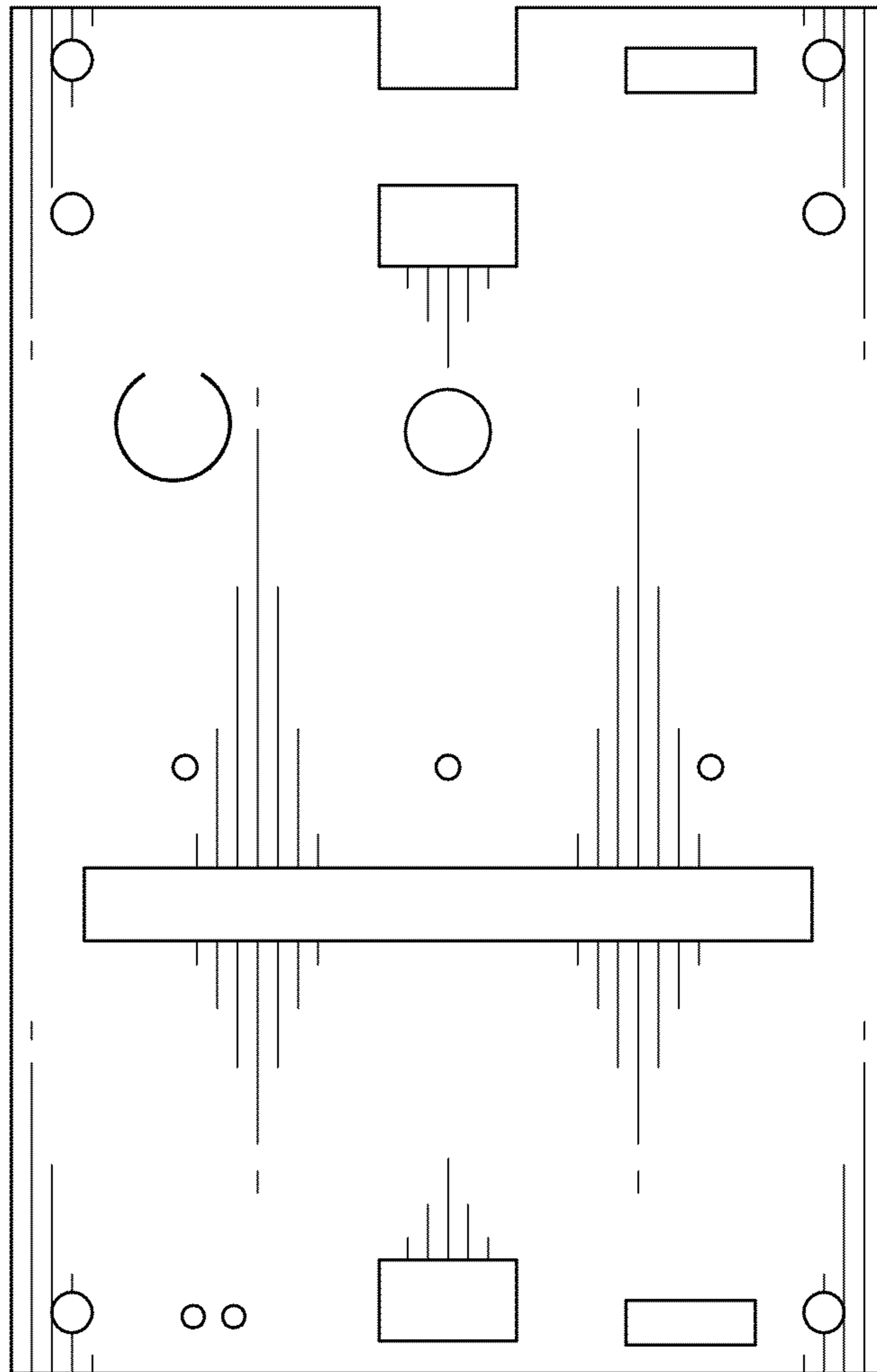


FIG.7

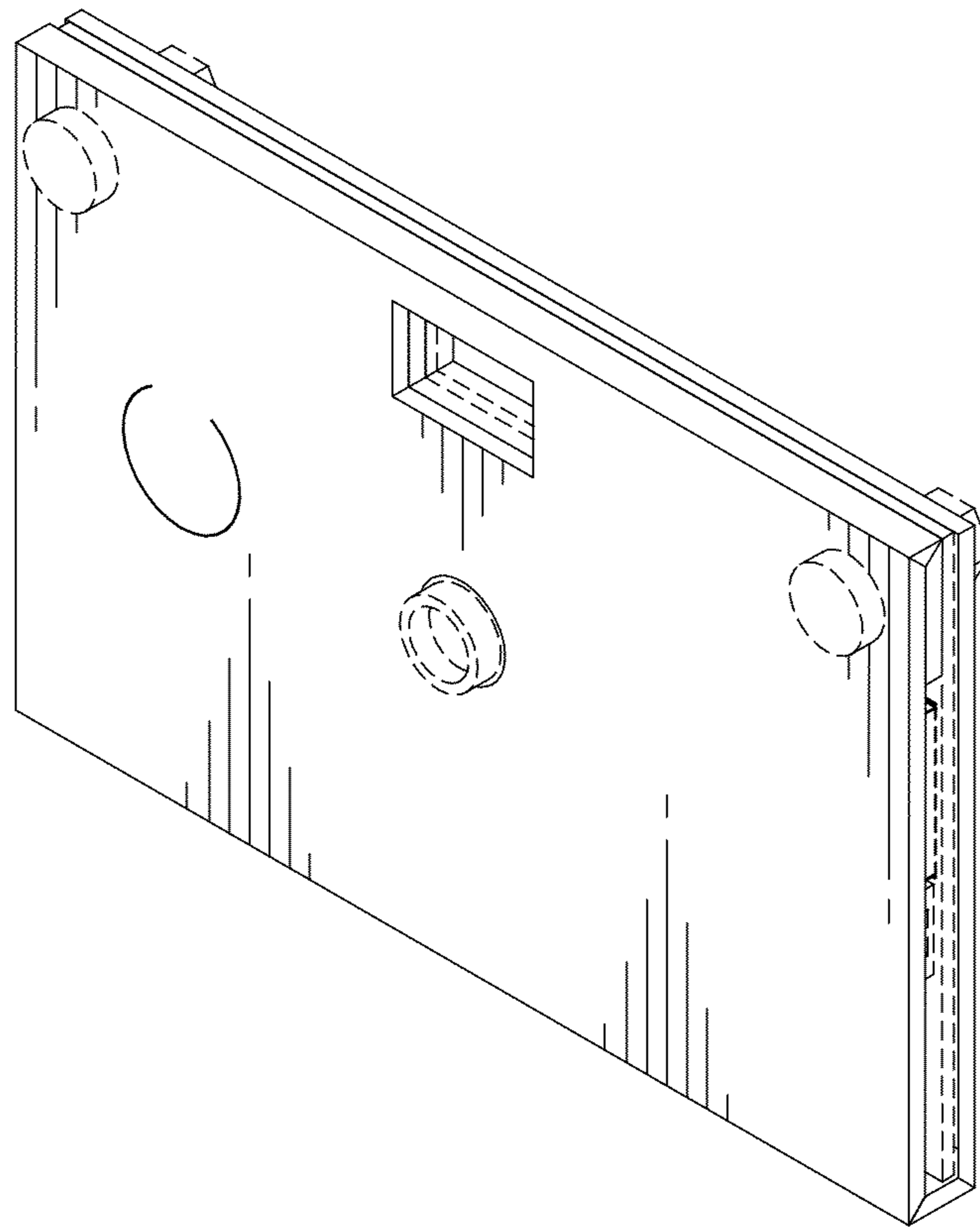


FIG.8