



US00D730961S

(12) **United States Design Patent**  
**Kobayashi et al.**

(10) **Patent No.:** **US D730,961 S**

(45) **Date of Patent:** **\*\* \*Jun. 2, 2015**

(54) **FLUID PRESSURE ACTUATOR**

(56) **References Cited**

U.S. PATENT DOCUMENTS

(71) Applicants: **KYB-YS CO., LTD.**, Nagano (JP);  
**KAYABA INDUSTRY CO., LTD.**,  
Tokyo (JP)

2,181,754 A *	11/1939	White	.....	60/573
2,705,939 A *	4/1955	Geyer	.....	92/17
2,815,005 A *	12/1957	Geyer	.....	92/17
3,251,278 A *	5/1966	Royster	.....	92/18
3,662,653 A *	5/1972	Carlson et al.	.....	92/15
4,442,757 A *	4/1984	Goans	.....	92/82
5,036,664 A *	8/1991	Camm	.....	60/534
D346,364 S *	4/1994	Inoi et al.	.....	D13/174
D348,433 S *	7/1994	Tochihara et al.	.....	D13/158
D614,144 S *	4/2010	Arosio	.....	D13/166
D624,101 S *	9/2010	Tseng	.....	D15/143

(72) Inventors: **Nobuyuki Kobayashi**, Nagano (JP);  
**Sadayuki Kamikura**, Nagano (JP);  
**Yasuyuki Nagai**, Nagano (JP)

(Continued)

(73) Assignees: **KYB-YS CO., LTD.**, Nagano (JP);  
**KAYABA INDUSTRY CO., LTD.**,  
Tokyo (JP)

*Primary Examiner* — Patricia Palasik

(74) *Attorney, Agent, or Firm* — Lowe Hauptman & Ham,  
LLP

(\*) Notice: This patent is subject to a terminal disclaimer.

(57) **CLAIM**

The ornamental design for a fluid pressure actuator, as shown and described.

(\*\*) Term: **14 Years**

**DESCRIPTION**

(21) Appl. No.: **29/478,361**

FIG. 1 is a front view of the fluid pressure actuator.  
FIG. 2 is a rear view of the fluid pressure actuator.  
FIG. 3 is a left side view of the fluid pressure actuator.  
FIG. 4 is a right side view of the fluid pressure actuator.  
FIG. 5 is a plan view of the fluid pressure actuator; and,  
FIG. 6 is a bottom view of the fluid pressure actuator.

(22) Filed: **Jan. 3, 2014**

(30) **Foreign Application Priority Data**

Jul. 5, 2013 (JP) ..... 2013-015448

The part which is illustrated by a solid line is the part intended to obtain the registration of a design as a partial design.

(51) **LOC (10) Cl.** ..... **15-09**

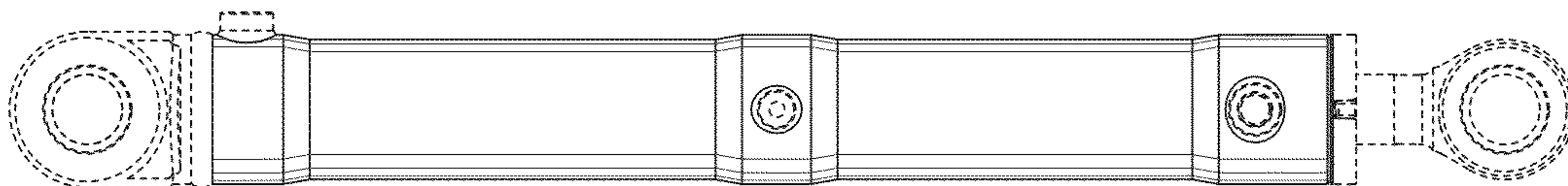
The article to which a design is applied is a fluid pressure actuator as shown in the drawings. The one end of the fluid pressure actuator is attached to the first member. The other end of the fluid pressure actuator is attached to the second member. The fluid pressure actuator is used as an actuator which elongates and contracts according to the fluid pressure of the working fluid supplied and discharged through ports located at both ends. Further, the fluid pressure actuator includes a holding portion near the center to hold piping etc. connected to the port.

(52) **U.S. Cl.**  
USPC ..... **D15/143; D15/199**

(58) **Field of Classification Search**  
USPC ..... D13/118, 158, 162, 184; D15/1-5, 7, 9,  
D15/143, 148, 149, 199; 74/54, 89.15,  
74/90.15, 411.5, 411, 490.09; 297/14,  
297/325, 327; 310/10, 12, 15, 20, 20.8, 80,  
310/300

See application file for complete search history.

**1 Claim, 3 Drawing Sheets**



# US D730,961 S

Page 2

---

(56)

## References Cited

### U.S. PATENT DOCUMENTS

D652,389 S *	1/2012	Thompson et al.	.....	D13/158	
8,508,168 B2 *	8/2013	Duits	.....	318/468	* cited by examiner
8,555,737 B2 *	10/2013	Kohmura	.....	74/89.3	
D693,929 S *	11/2013	Fagan et al.	.....	D24/171	
2006/0229617 A1 *	10/2006	Meller et al.	.....	606/62	

Fig.1

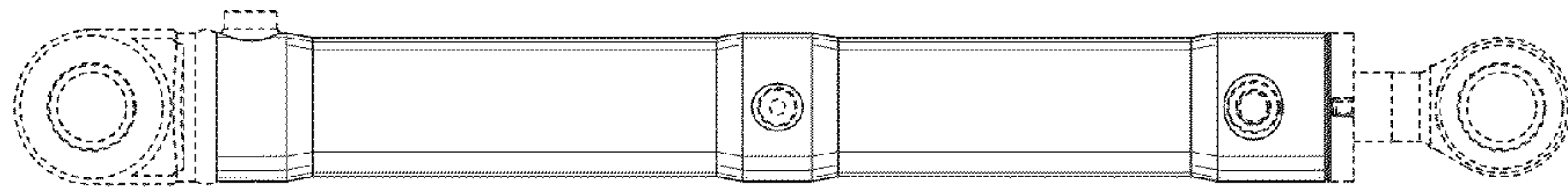


Fig.2

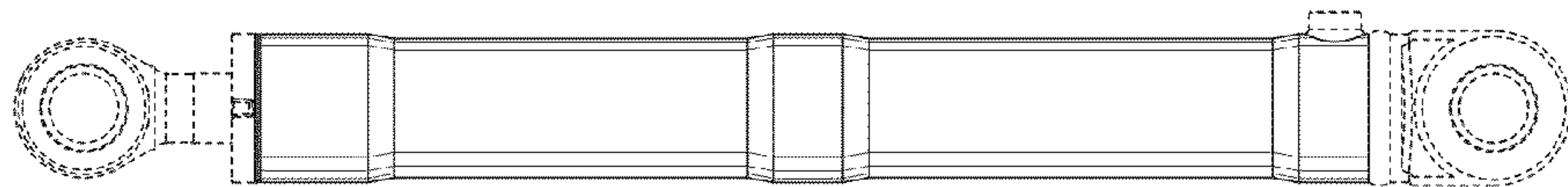


Fig.3

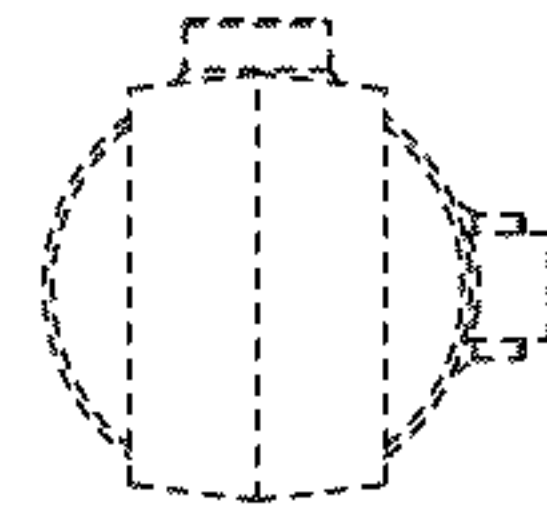


Fig.4

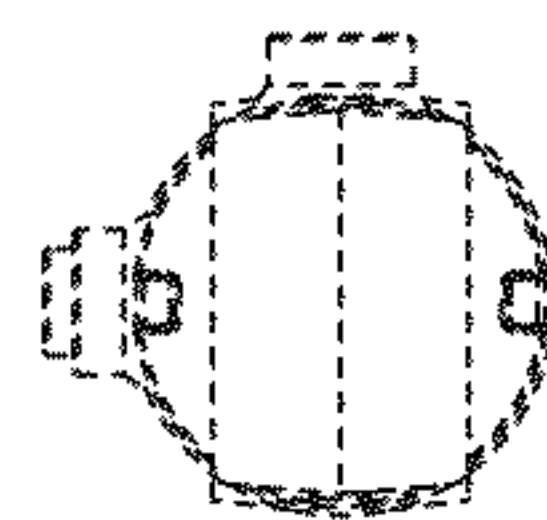


Fig.5

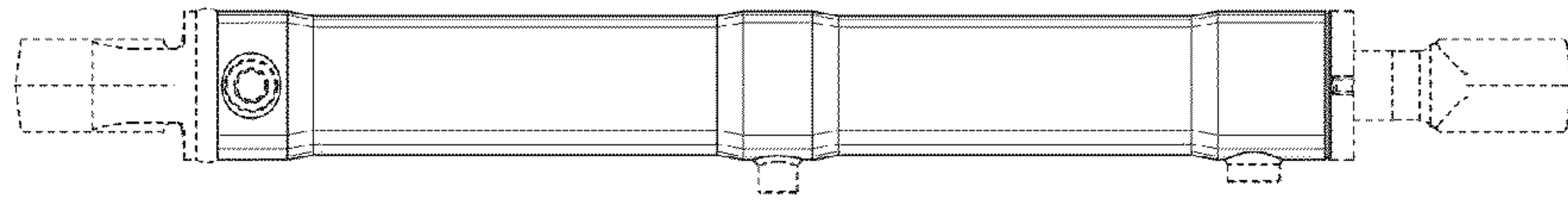


Fig.6

