



US00D730960S

(12) **United States Design Patent**
Shinozaki

(10) **Patent No.:** **US D730,960 S**
(45) **Date of Patent:** **** *Jun. 2, 2015**

(54) **DRESSING PELLETT FOR DRESSER DISK**
(71) Applicant: **EBARA CORPORATION**, Tokyo (JP)
(72) Inventor: **Hiroyuki Shinozaki**, Tokyo (JP)
(73) Assignee: **EBARA CORPORATION**, Tokyo (JP)
(*) Notice: This patent is subject to a terminal disclaimer.
(**) Term: **14 Years**

D305,871	S	*	2/1990	Geiger	D9/435
D305,987	S	*	2/1990	Magnusson	D9/438
5,782,682	A	*	7/1998	Han et al.	451/548
D444,483	S	*	7/2001	Sunagawa	D15/126
6,267,645	B1	*	7/2001	Burga et al.	451/41
6,602,119	B1		8/2003	Togawa et al.		
7,175,514	B2	*	2/2007	Boyer et al.	451/389
D555,680	S	*	11/2007	Popov	D15/126
D585,466	S	*	1/2009	Park	D15/126
D626,976	S	*	11/2010	Park	D15/126
D677,427	S	*	3/2013	Ross	D27/167
D682,695	S	*	5/2013	Lampman	D9/451
2014/0041687	A1	*	2/2014	Shinozaki	134/6

(21) Appl. No.: **29/450,945**
(22) Filed: **Mar. 26, 2013**

(30) **Foreign Application Priority Data**
Sep. 26, 2012 (JP) 2012-023350
(51) **LOC (10) Cl.** **15-09**
(52) **U.S. Cl.**
USPC **D15/126**
(58) **Field of Classification Search**
USPC D8/70, 71, 90, 98; D15/124, 126, 138,
D15/139; D21/485, 488, 499, 500, 503,
D21/504; D25/103, 113-118; 83/589, 676,
83/863; 407/35, 42, 112-119;
451/548-551
See application file for complete search history.

FOREIGN PATENT DOCUMENTS

WO 2012/122186 A2 9/2012
* cited by examiner

Primary Examiner — Patricia Palasik
(74) *Attorney, Agent, or Firm* — Pearne & Gordon LLP

(57) **CLAIM**
The ornamental design for a dressing pellet for a dresser disk, as shown and described.

DESCRIPTION

FIG. 1 is a perspective view of a dressing pellet for a dresser disk showing my new design;
FIG. 2 is a top view thereof;
FIG. 3 is a bottom view thereof;
FIG. 4 is a front elevation view thereof;
FIG. 5 is a side view thereof, the dressing pellet being radially symmetrical; and,
FIG. 6 is a reference perspective view showing the dressing pellet of my new design being used in a dresser disk.
The broken lines depict environmental subject matter only and form no part of the claimed design.

(56) **References Cited**
U.S. PATENT DOCUMENTS
D55,989 S * 8/1920 Lipsz D14/176
2,225,193 A * 12/1940 Benner et al. 451/542
2,442,129 A * 5/1948 Hollstrom 451/548
3,121,982 A * 2/1964 Miller 451/548
4,768,667 A * 9/1988 Magnusson 215/255

1 Claim, 2 Drawing Sheets

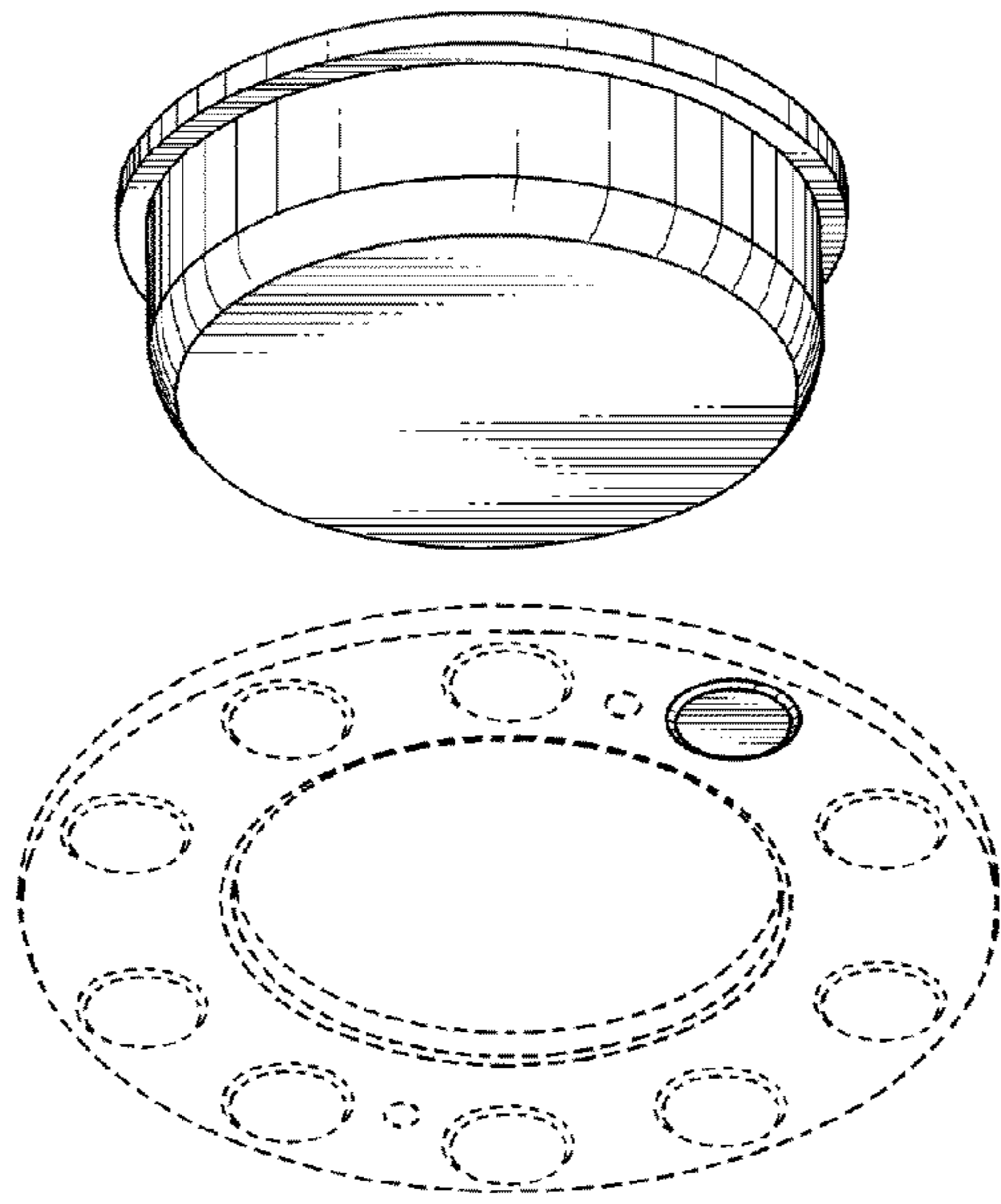


FIG. 1

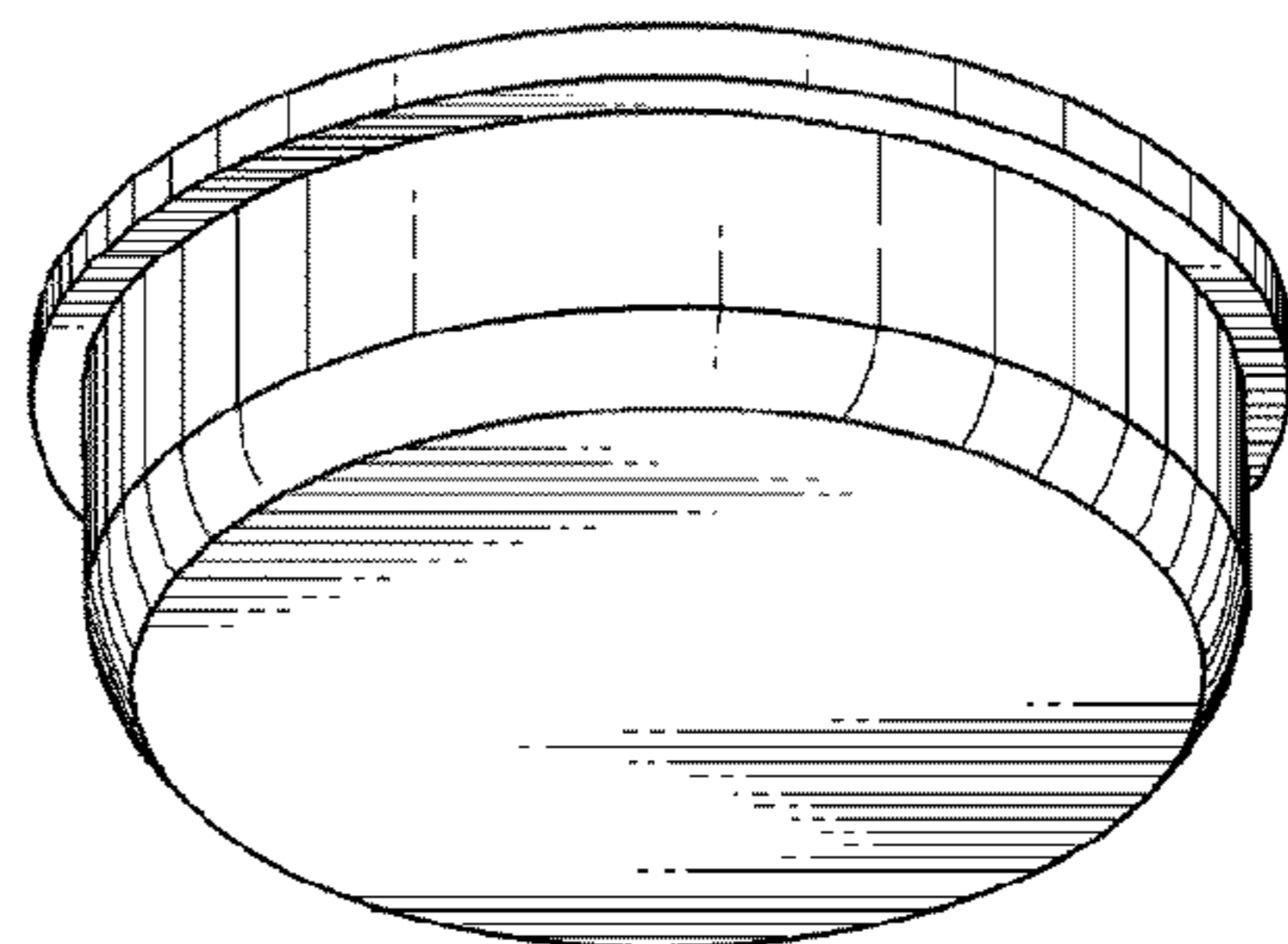


FIG. 2

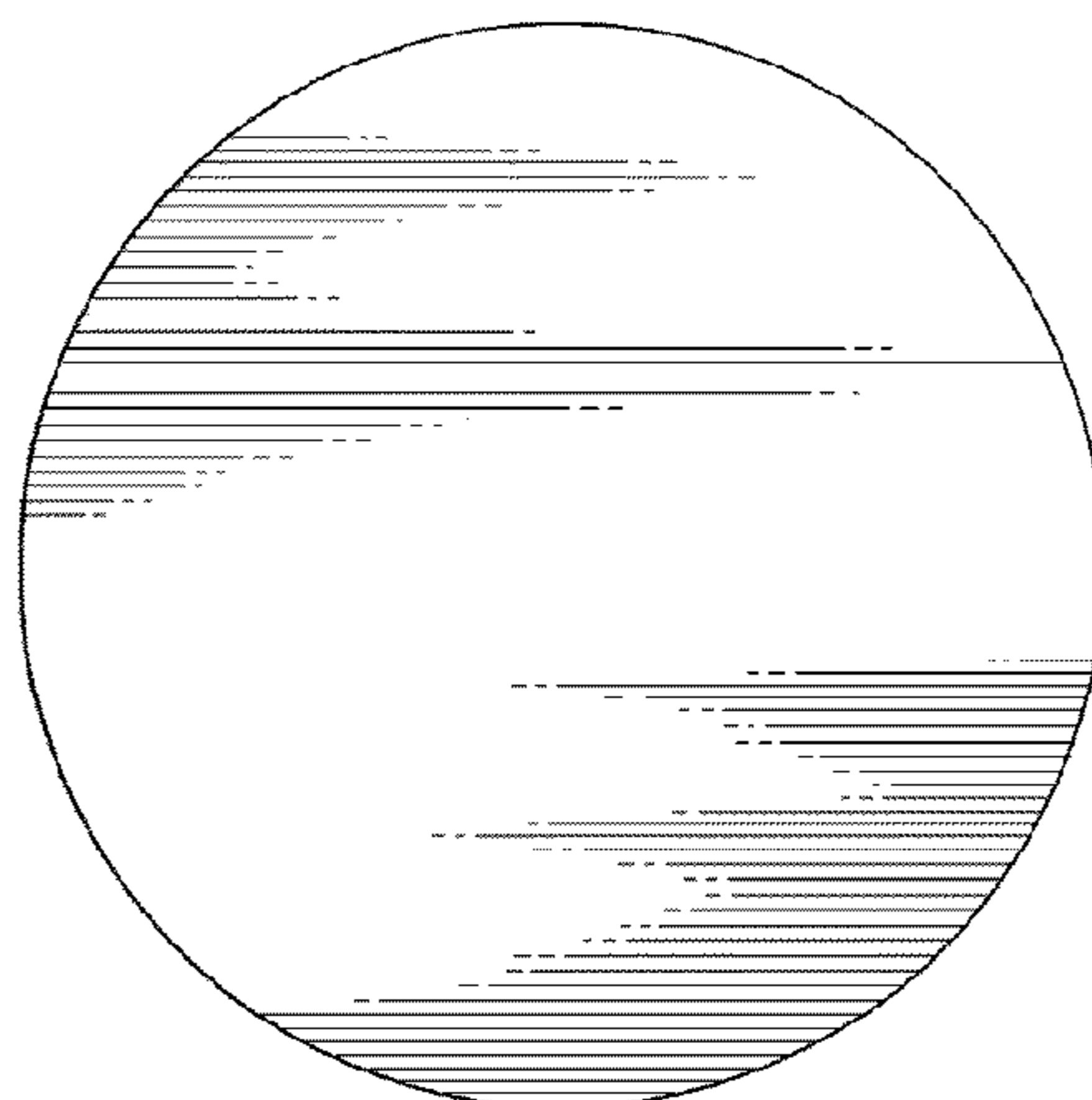


FIG. 3

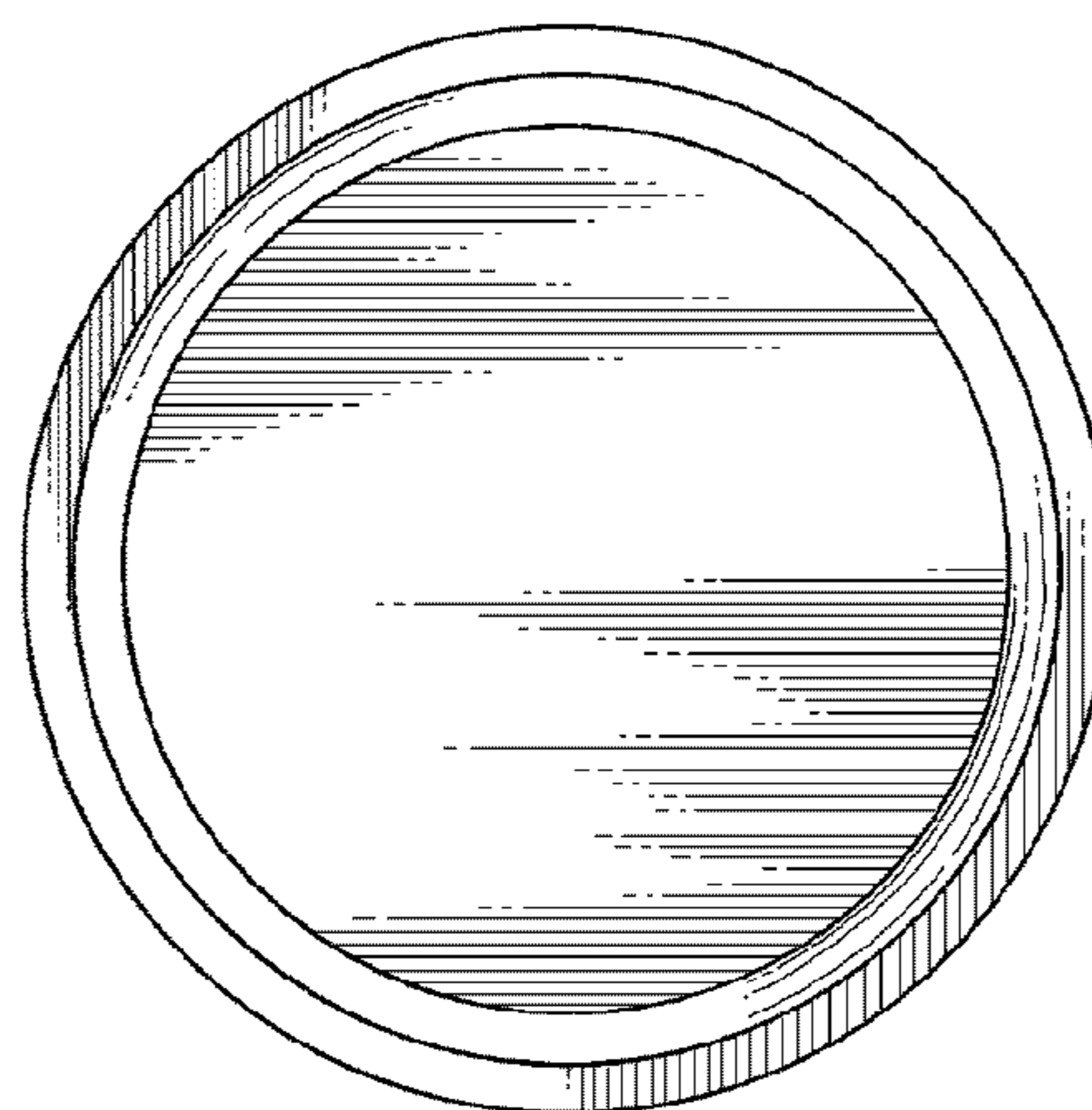


FIG. 4

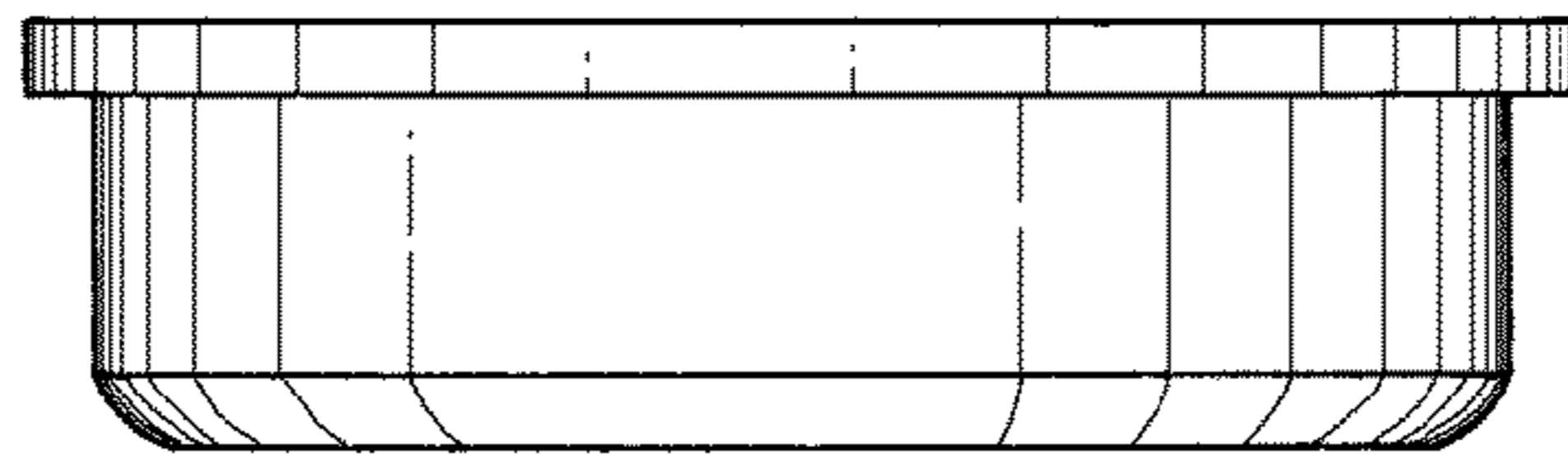


FIG. 5

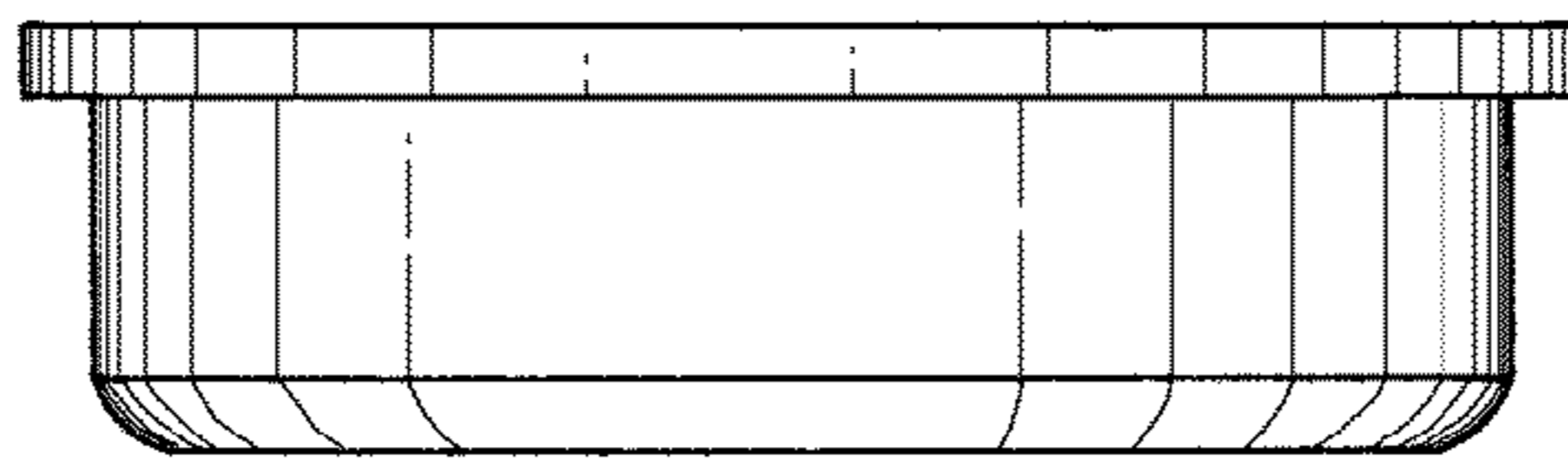
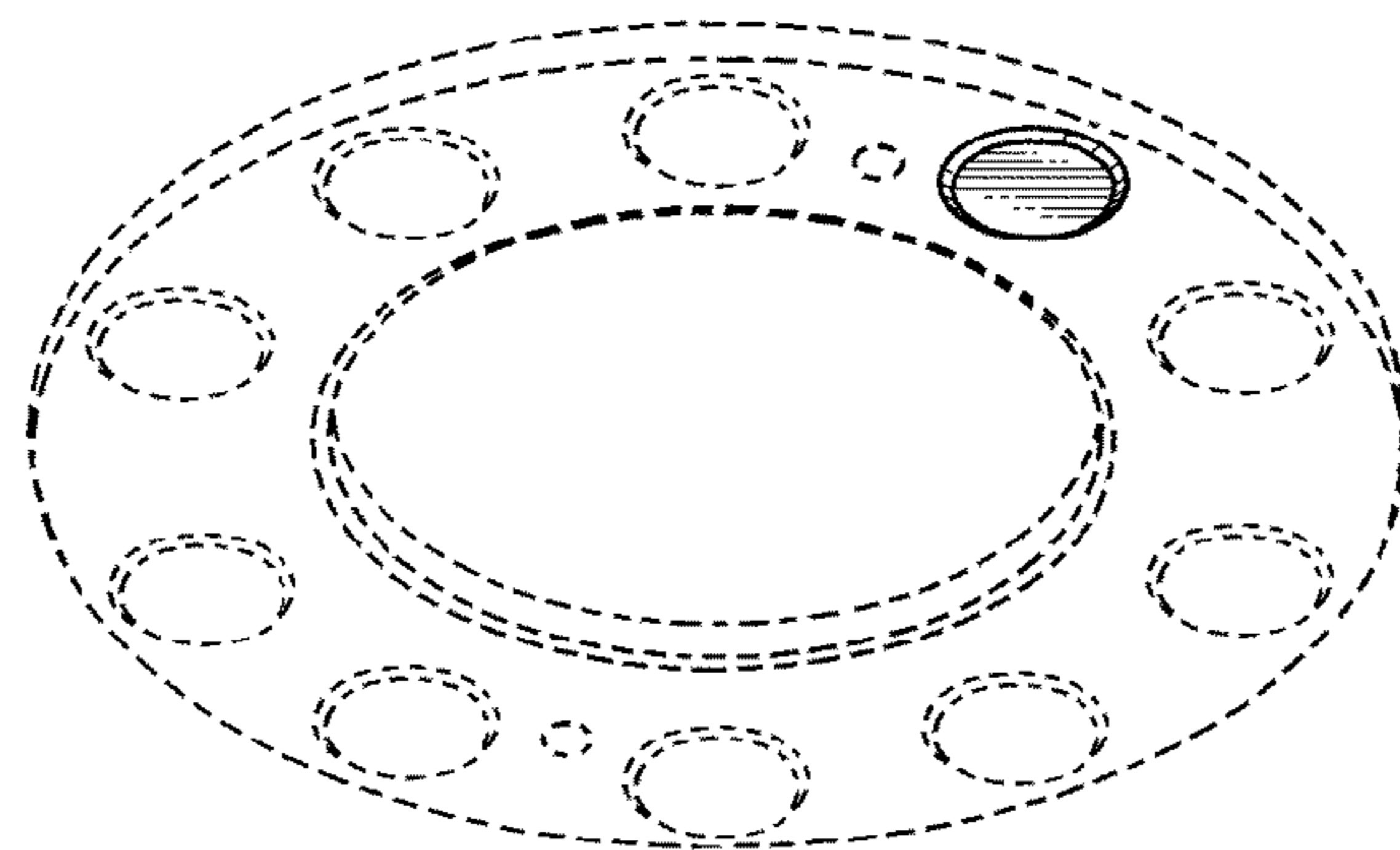


FIG. 6



UNITED STATES PATENT AND TRADEMARK OFFICE
CERTIFICATE OF CORRECTION

PATENT NO. : D730,960 S
APPLICATION NO. : 29/450945
DATED : June 2, 2015
INVENTOR(S) : Hiroyuki Shinozaki

Page 1 of 1

It is certified that error appears in the above-identified patent and that said Letters Patent is hereby corrected as shown below:

On the title page in the Foreign Priority Data Item (30), delete "2012-023350" and insert
--2012-023351--.

Signed and Sealed this
Twenty-fourth Day of November, 2015



Michelle K. Lee
Director of the United States Patent and Trademark Office