



US00D730959S

(12) **United States Design Patent**
Kirkland et al.

(10) **Patent No.:** **US D730,959 S**
(45) **Date of Patent:** **** Jun. 2, 2015**

(54) **ADVANCED COMPOSITE MATERIAL
PRODUCTION MACHINE**

(71) Applicant: **AONIX ADVANCED MATERIALS
CORP., Ottawa (CA)**

(72) Inventors: **Derek Kirkland, Chelsea (CA); Jerome
Le Corvec, Ottawa (CA)**

(73) Assignee: **AONIX ADVANCED MATERIALS
CORP., Ottawa (CA)**

(**) Term: **14 Years**

(21) Appl. No.: **29/497,380**

(22) Filed: **Jul. 23, 2014**

(30) **Foreign Application Priority Data**

Jan. 24, 2014 (CA) 154873

(51) **LOC (10) Cl.** **15-09**

(52) **U.S. Cl.**
USPC **D15/122**

(58) **Field of Classification Search**
USPC D15/122, 127, 130
See application file for complete search history.

(56) **References Cited**

U.S. PATENT DOCUMENTS

D122,752 S *	9/1940	Monroe	D15/141
D265,912 S *	8/1982	Frenkel	D15/138
D319,834 S *	9/1991	Rutschle	D15/131
5,367,754 A *	11/1994	Sheehan et al.	29/27 C
5,960,690 A *	10/1999	Romi	82/133
D445,807 S *	7/2001	Baulk	D15/127
D489,077 S *	4/2004	Bloch	D15/127
D548,755 S *	8/2007	Takehima et al.	D15/122
D559,871 S *	1/2008	Kittaka et al.	D15/122
D578,144 S *	10/2008	Arisue et al.	D15/122
D638,449 S *	5/2011	Schindler et al.	D15/122

D651,620 S *	1/2012	Schindler et al.	D15/122
D654,099 S *	2/2012	Schindler et al.	D15/122
D654,518 S *	2/2012	Miyake et al.	D15/122
D658,686 S *	5/2012	Mueller	D15/122
D671,969 S *	12/2012	Yang et al.	D15/122
D676,882 S *	2/2013	Mueller	D15/122
D680,563 S *	4/2013	Yang et al.	D15/122
D694,787 S *	12/2013	Mueller	D15/122
D696,315 S *	12/2013	Schmid	D15/122
D700,638 S *	3/2014	Shou et al.	D15/123
D711,947 S *	8/2014	Son et al.	D15/199
D711,948 S *	8/2014	Son et al.	D15/199
D718,795 S *	12/2014	Schönherr et al.	D15/122
2002/0170689 A1 *	11/2002	Yamagami et al.	160/368.1
2013/0061726 A1 *	3/2013	Katsu et al.	82/1.11
2014/0069609 A1 *	3/2014	Caihuzac	165/67
2014/0174774 A1 *	6/2014	Okamoto et al.	173/20
2014/0319746 A1 *	10/2014	Kozawa	269/14
2014/0341669 A1 *	11/2014	Fleischer et al.	409/20
2014/0377028 A1 *	12/2014	Inaguchi	409/134

* cited by examiner

Primary Examiner — Patricia Palasik

(74) *Attorney, Agent, or Firm* — Richard A. Johnson;
Borden Ladner Gervais LLP

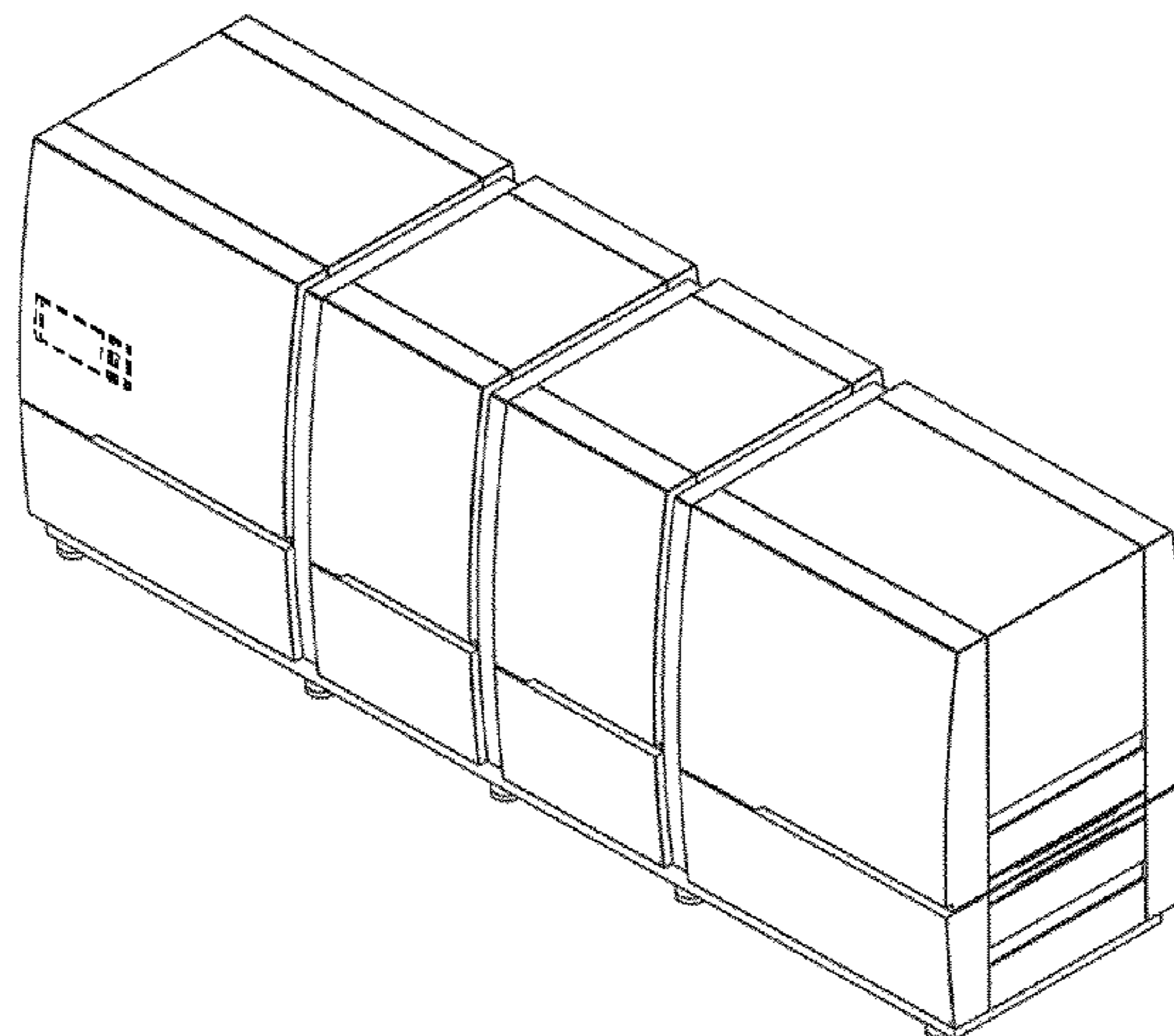
(57) **CLAIM**

The ornamental design for advanced composite material production machine, as shown and described.

DESCRIPTION

FIG. 1 is a perspective view of the advanced composite material production machine;
FIG. 2 is a front view thereof;
FIG. 3 is a back view thereof;
FIG. 4 is a left side view thereof;
FIG. 5 is a right side view thereof; and,
FIG. 6 is a top view thereof.
The portions of the article shown in broken lines don not form part of the design.

1 Claim, 3 Drawing Sheets



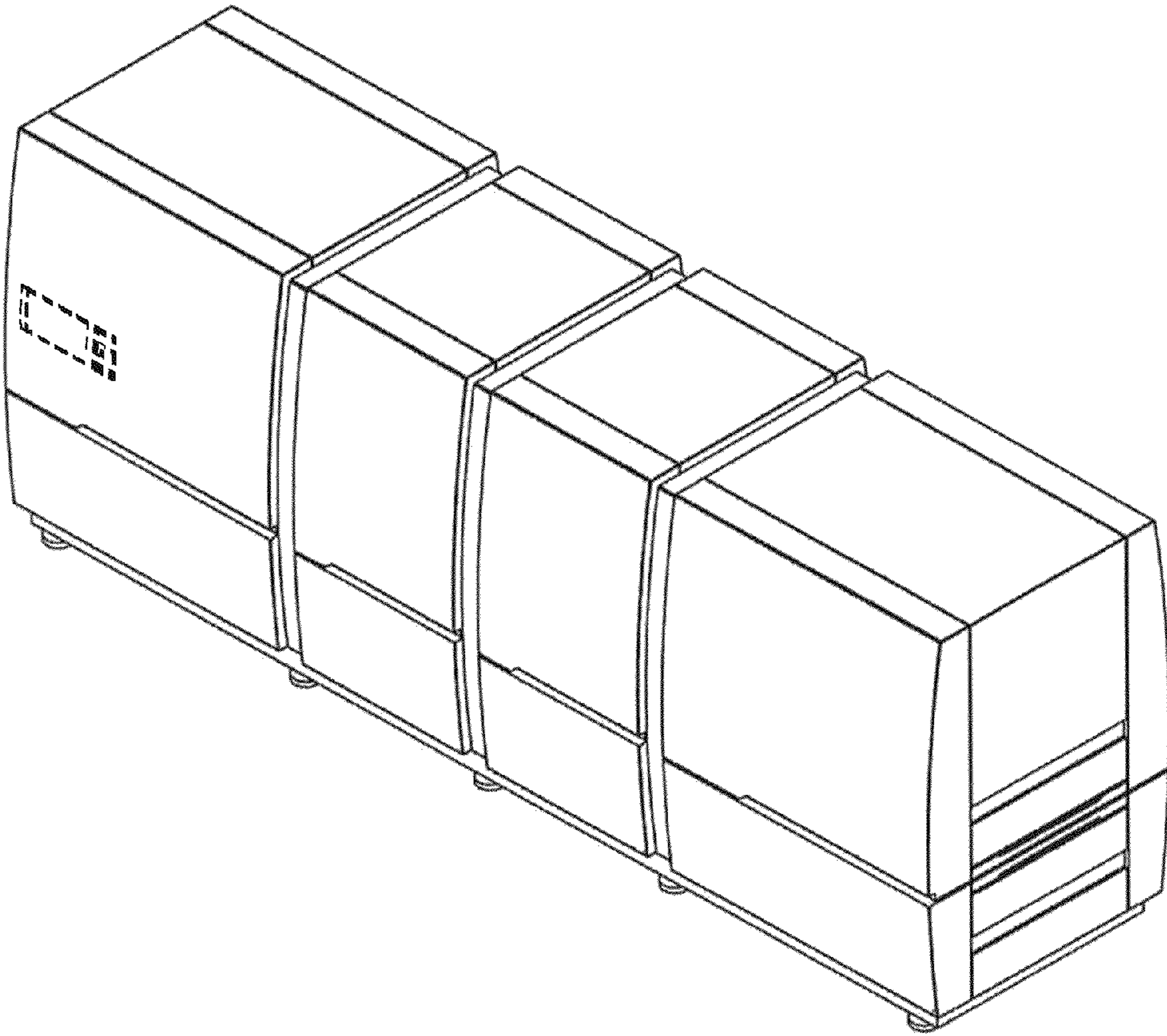


Figure 1

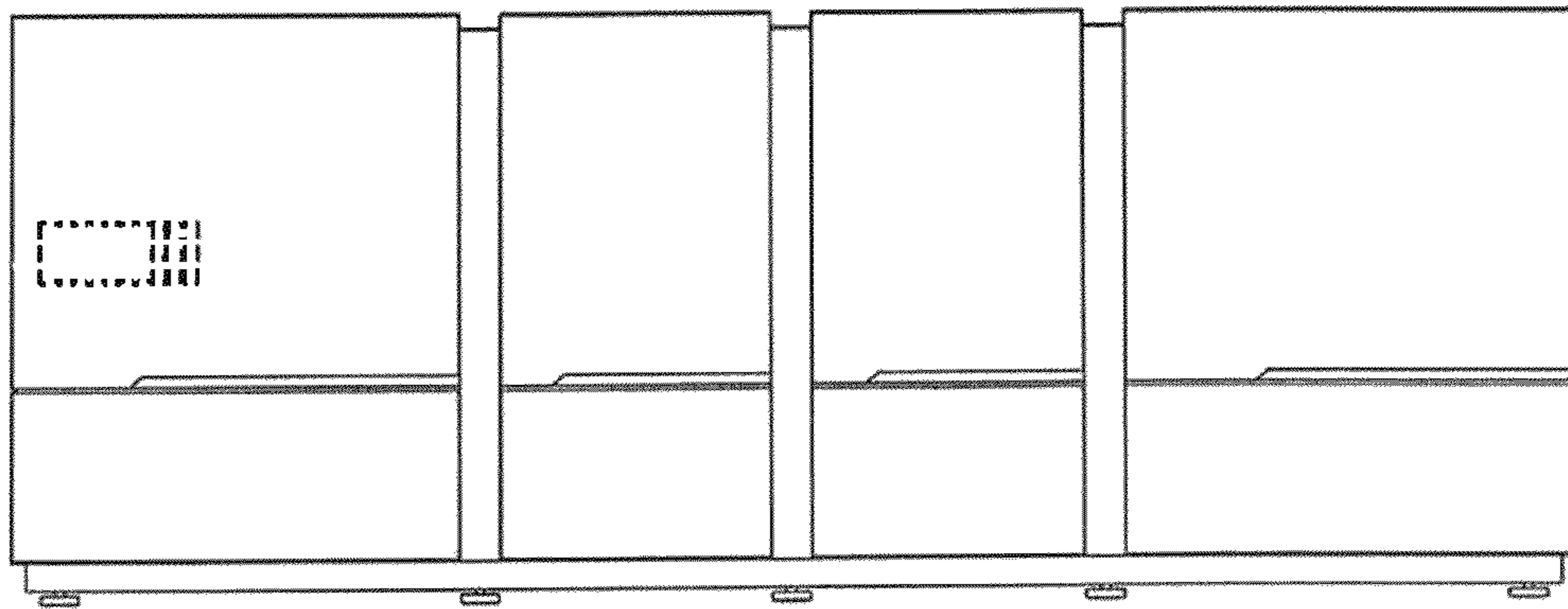


Figure 2

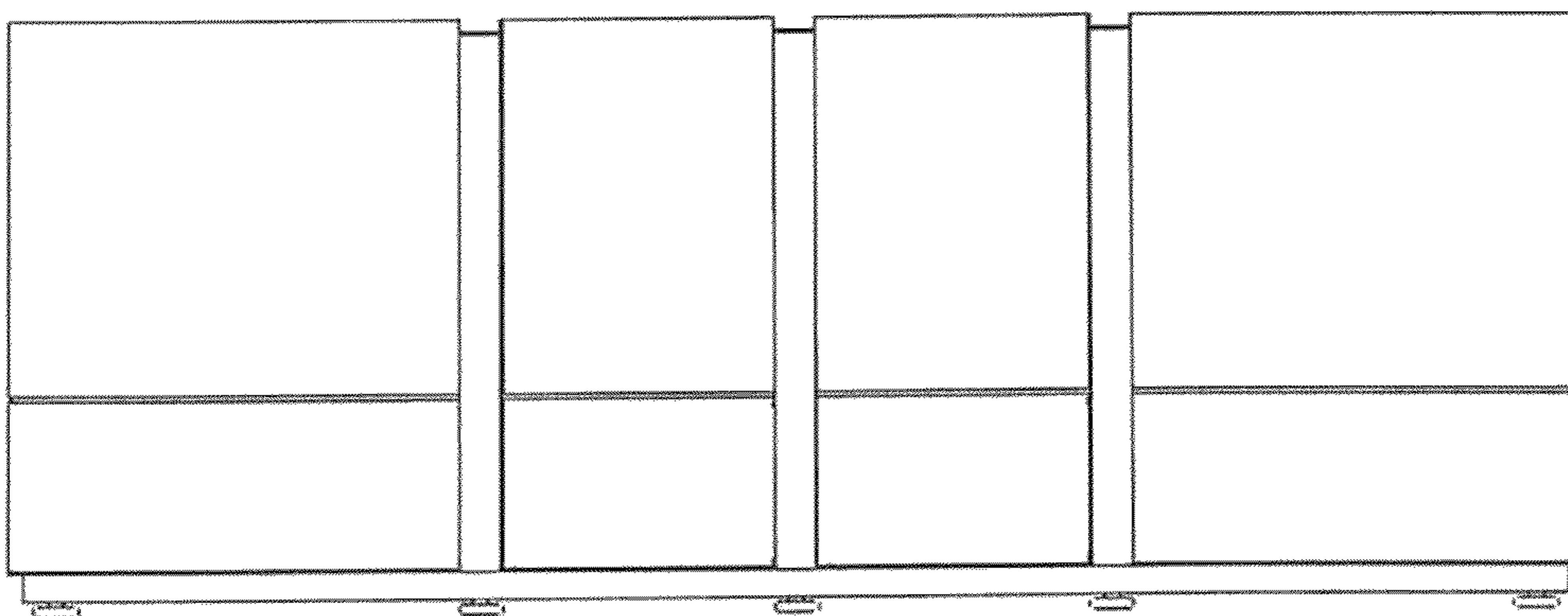


Figure 3

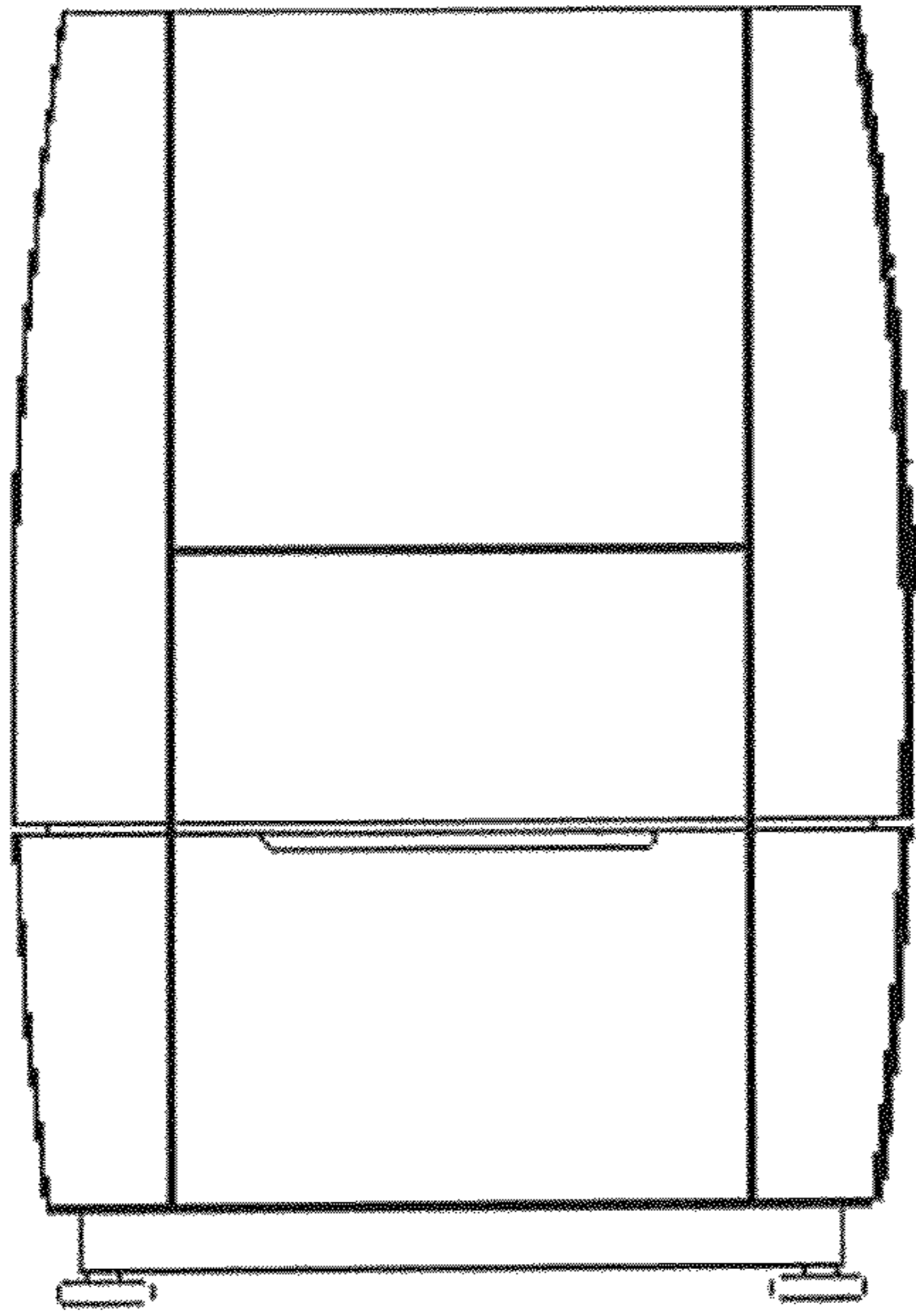


Figure 4

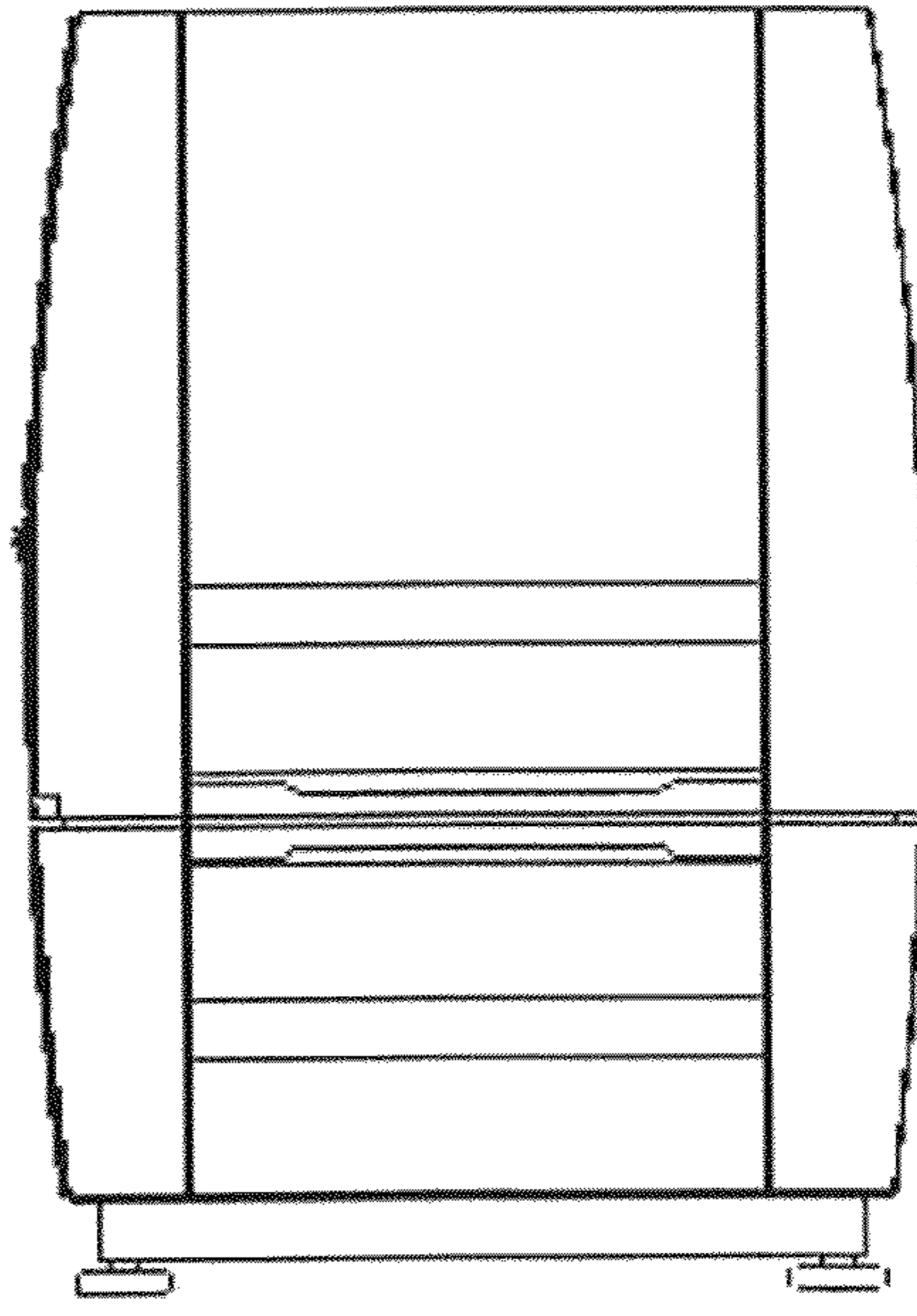


Figure 5

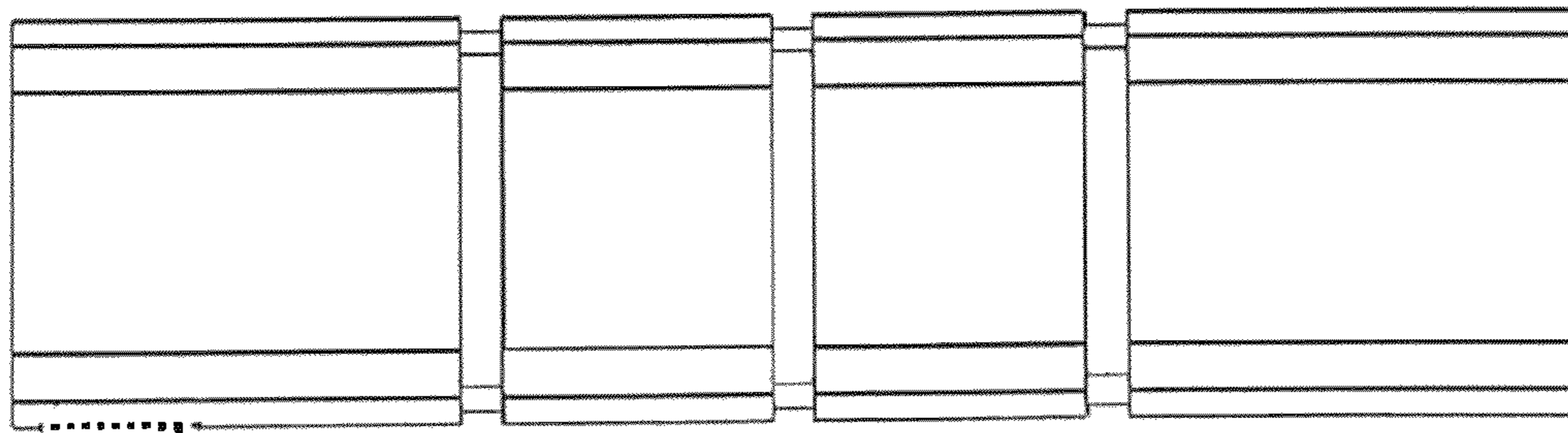


Figure 6