

US00D730958S

(12) **United States Design Patent**
Choi et al.

(10) **Patent No.:** **US D730,958 S**
(45) **Date of Patent:** **** Jun. 2, 2015**

(54) **DOOR FOR REFRIGERATOR**

(71) Applicant: **LG Electronics Inc.**, Seoul (KR)

(72) Inventors: **Kyukwan Choi**, Seoul (KR); **Boram Lee**, Seoul (KR); **Kyusuh Park**, Seoul (KR); **Junghyun Lee**, Seoul (KR); **Minsub Kim**, Seoul (KR); **Sungkyong Han**, Seoul (KR); **Yunmi Park**, Seoul (KR)

(73) Assignee: **LG Electronics Inc.**, Seoul (KR)

(**) Term: **14 Years**

(21) Appl. No.: **29/497,043**

(22) Filed: **Jul. 21, 2014**

(30) **Foreign Application Priority Data**

Jan. 22, 2014 (KR) 30-2014-0003751

(51) **LOC (10) Cl.** **15-07**

(52) **U.S. Cl.**
USPC **D15/91**

(58) **Field of Classification Search**
USPC D15/79-91
CPC F25B 21/02; F25B 2321/02; F25B 1/005;
F25B 2321/0252; F25B 1/00; F25B 1/10;
F25B 21/04; F25B 2339/047; F25B 5/02;
F25B 7/00; F25B 13/00; F25B 1/053; F25B
2309/06; F25B 2321/021; F25B 2321/023;
F25D 23/028; F25D 23/02; F25D 25/025;
F25D 23/00; F25D 2323/021; F25D 11/00;
F25D 2323/024; F25D 23/04; F25D 29/00;
F25D 25/02; F25D 25/024; F25D 27/005;
F25D 23/12; F25D 29/005; F25D 17/042;
F25D 2325/021

See application file for complete search history.

(56) **References Cited**

U.S. PATENT DOCUMENTS

D484,152 S * 12/2003 Becke D15/91
D572,732 S * 7/2008 Baacke et al. D15/91

D648,359 S * 11/2011 Yu et al. D15/91
D723,595 S * 3/2015 You et al. D15/91
D724,121 S * 3/2015 Choi et al. D15/91

* cited by examiner

Primary Examiner — Daniel Bui
Assistant Examiner — Khawaja Anwar
(74) *Attorney, Agent, or Firm* — Morgan, Lewis & Bockius LLP

(57) **CLAIM**

The ornamental design for a door for refrigerator, as shown and described.

DESCRIPTION

FIG. 1 is a rear perspective view of a door for refrigerator showing our new design;
FIG. 2 is a front view thereof;
FIG. 3 is a rear view thereof;
FIG. 4 is a left side view thereof;
FIG. 5 is a right side view thereof;
FIG. 6 is a top plan view thereof;
FIG. 7 is a bottom plan view thereof;
FIG. 8 is a reference view thereof showing an example of the usage of the subject design;
FIG. 9 is a rear perspective view thereof showing the state that the cover of the inner door of the refrigerator has been open;
FIG. 10 is a rear view of FIG. 9;
FIG. 11 is a left side view of FIG. 9;
FIG. 12 is a right side view of FIG. 9;
FIG. 13 is a top plan view of FIG. 9;
FIG. 14 is a bottom plan view of FIG. 9;
FIG. 15 is a reference view of FIG. 9 showing an example of the usage of the subject design;
FIG. 16 is a perspective view thereof showing the state that the outside door of the refrigerator has been open;
FIG. 17 is a front view of FIG. 16;
FIG. 18 is a rear view of the FIG. 16;
FIG. 19 is a left side view of FIG. 16;
FIG. 20 is a right side view of FIG. 16;
FIG. 21 is a top plan view of FIG. 16;
FIG. 22 is a bottom plan view of FIG. 16; and,
FIG. 23 is a reference view of FIG. 16 showing an example of the usage of the subject design.
The broken line in the figure drawings represents unclaimed environment only and forms no part of the claimed design.

1 Claim, 22 Drawing Sheets

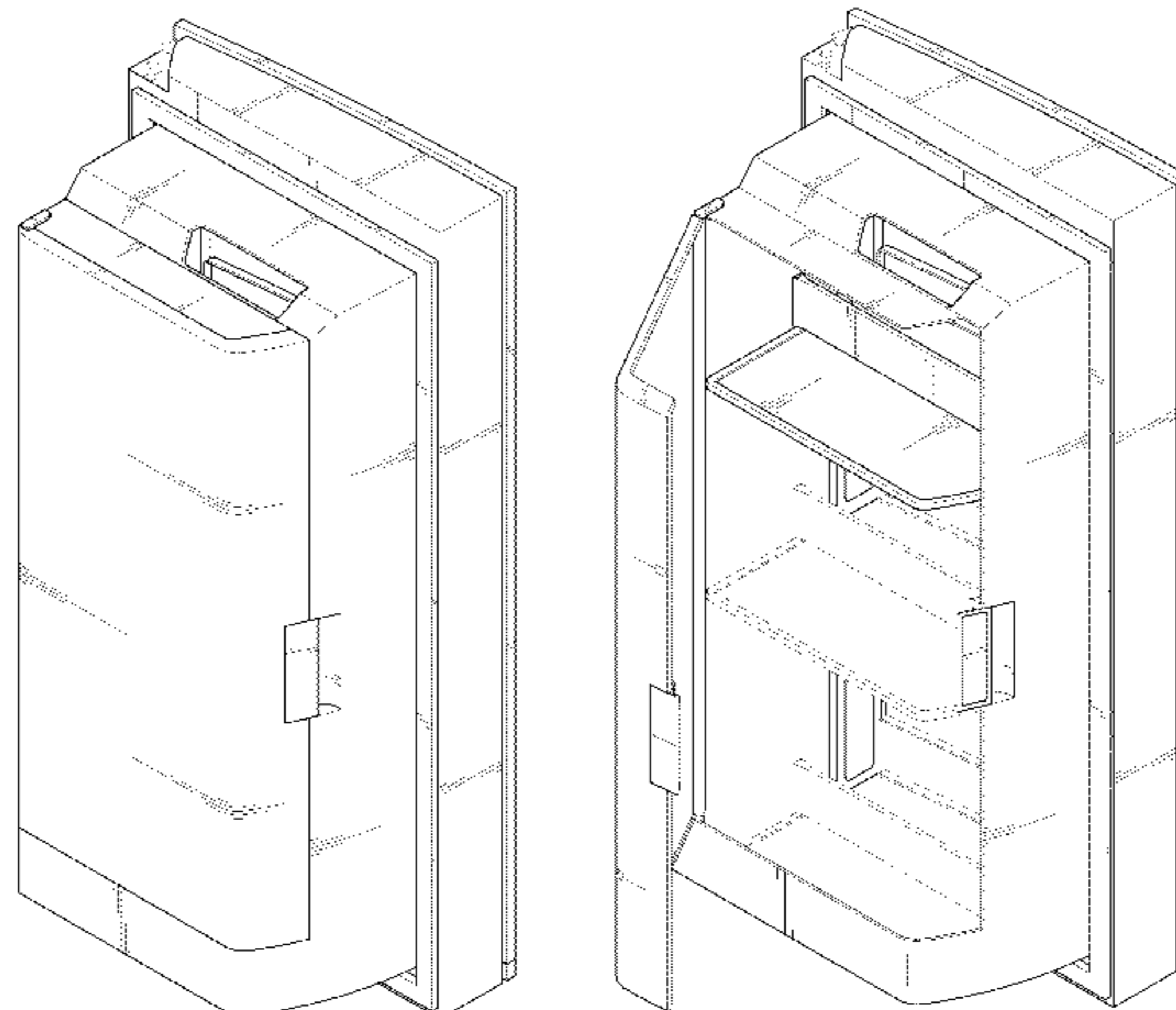


FIG. 1

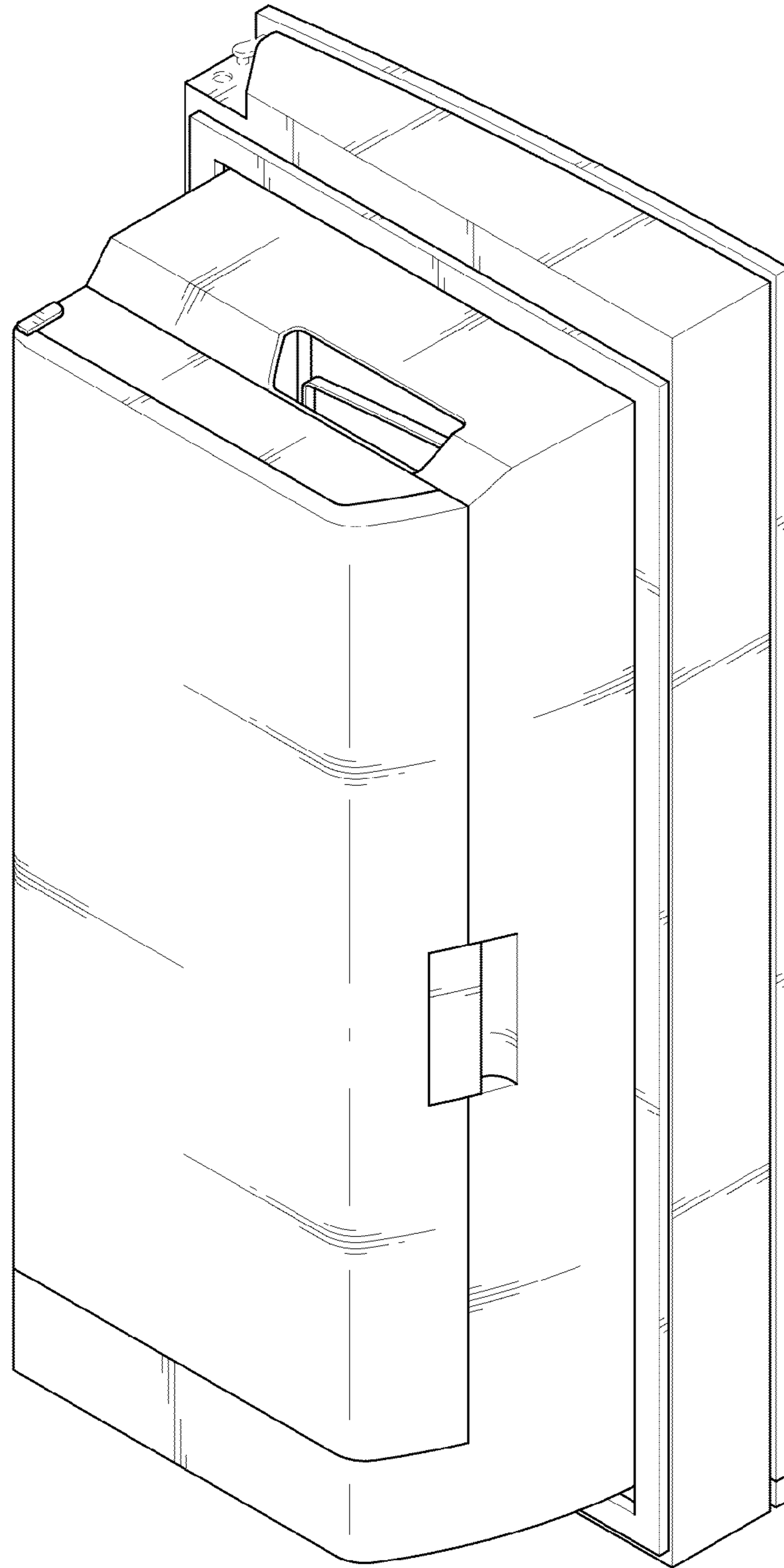


FIG. 2

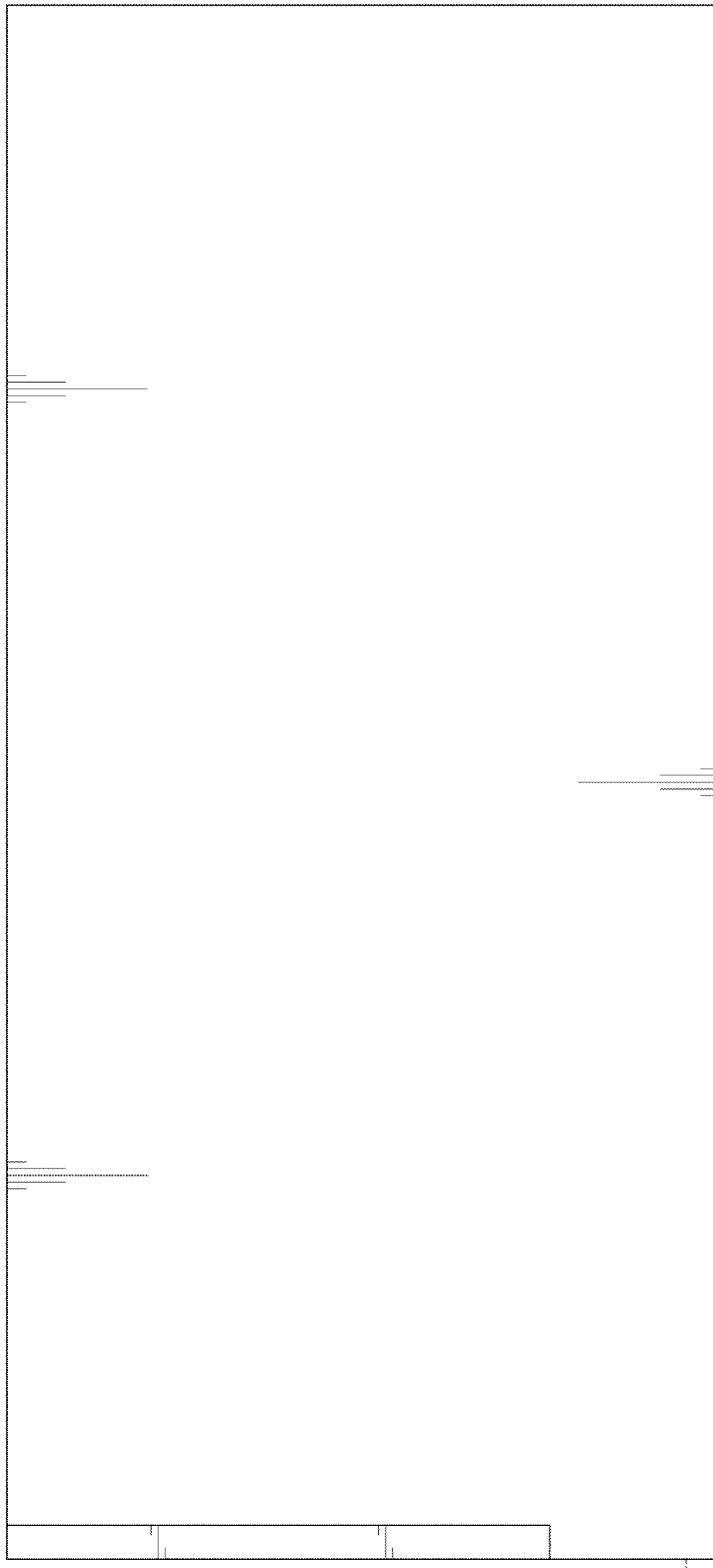


FIG. 3

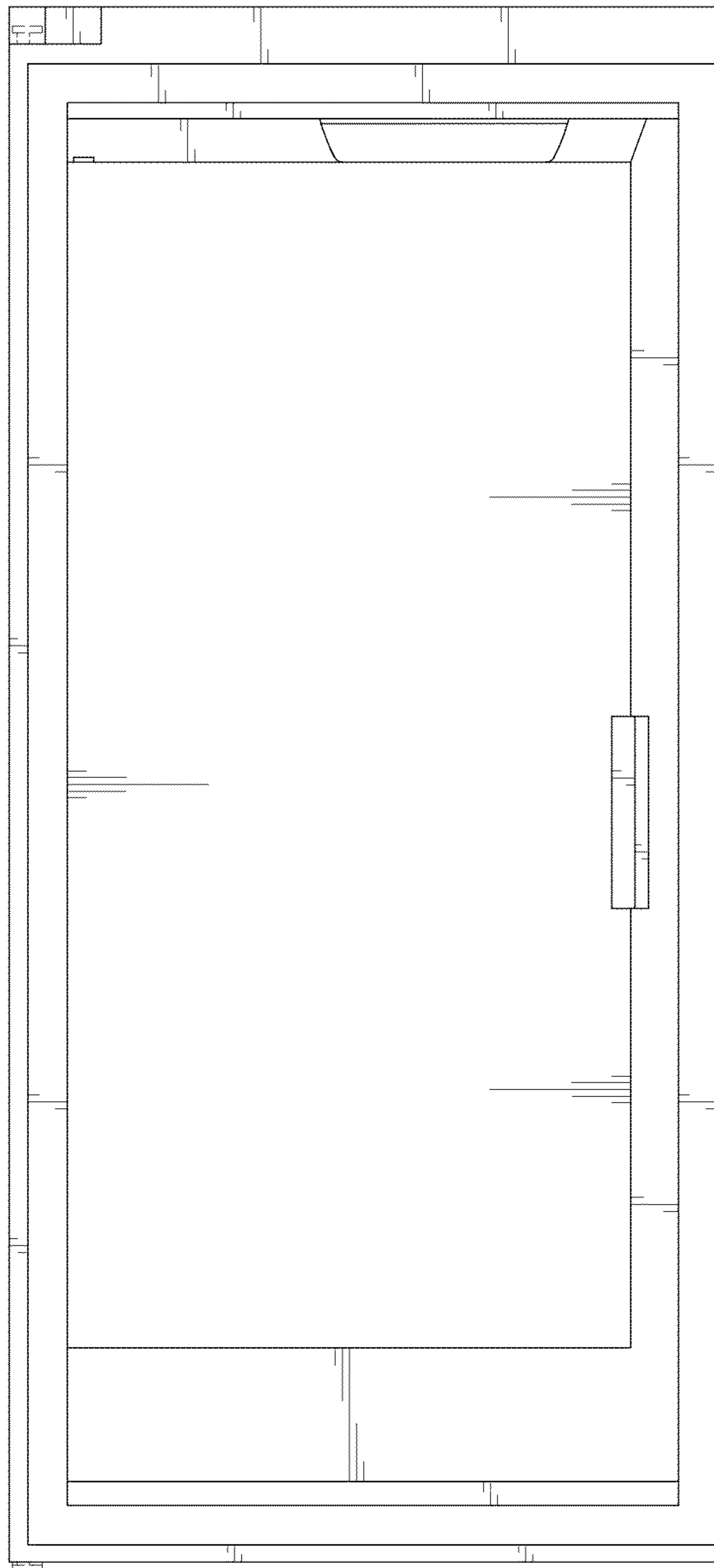


FIG. 4

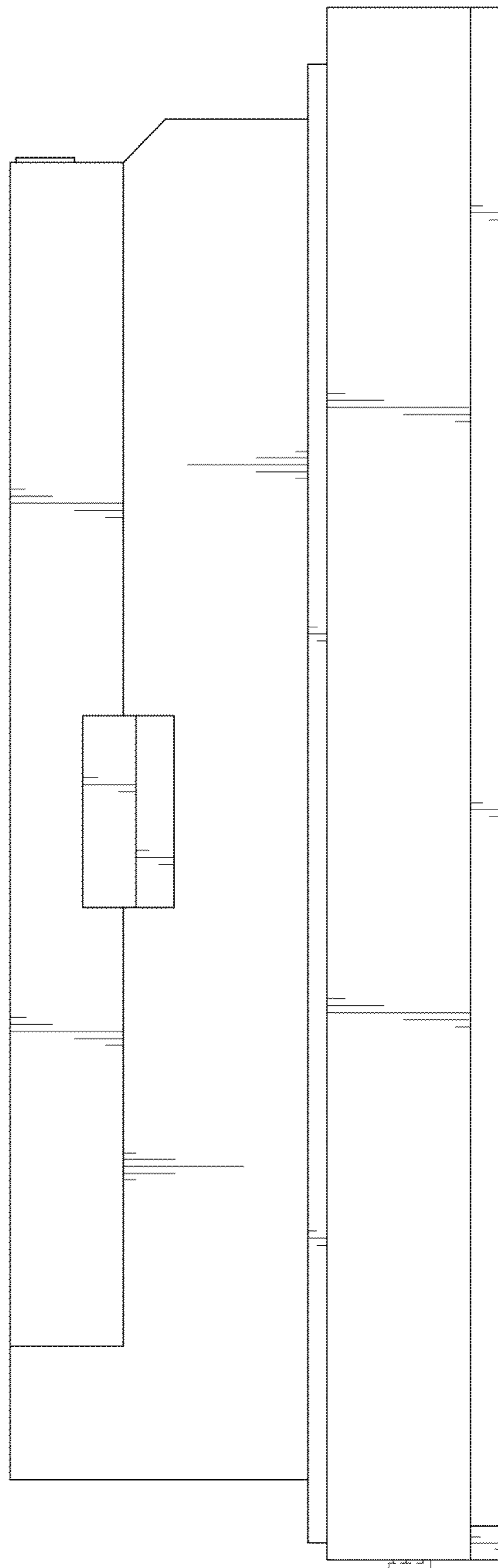


FIG. 5

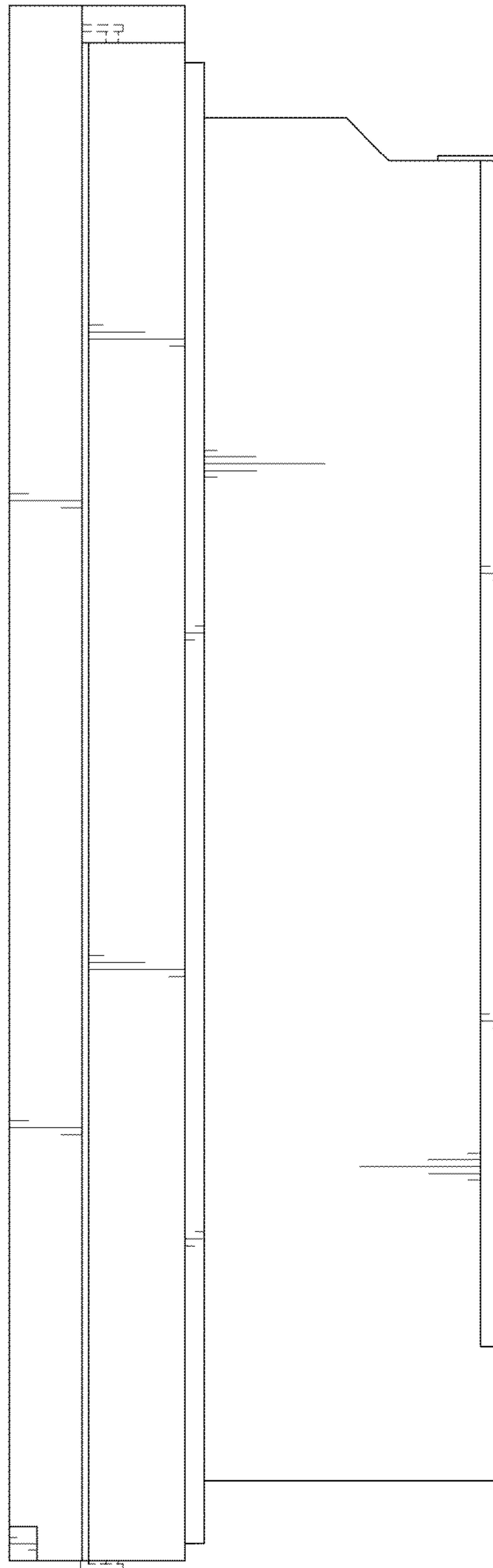


FIG. 6

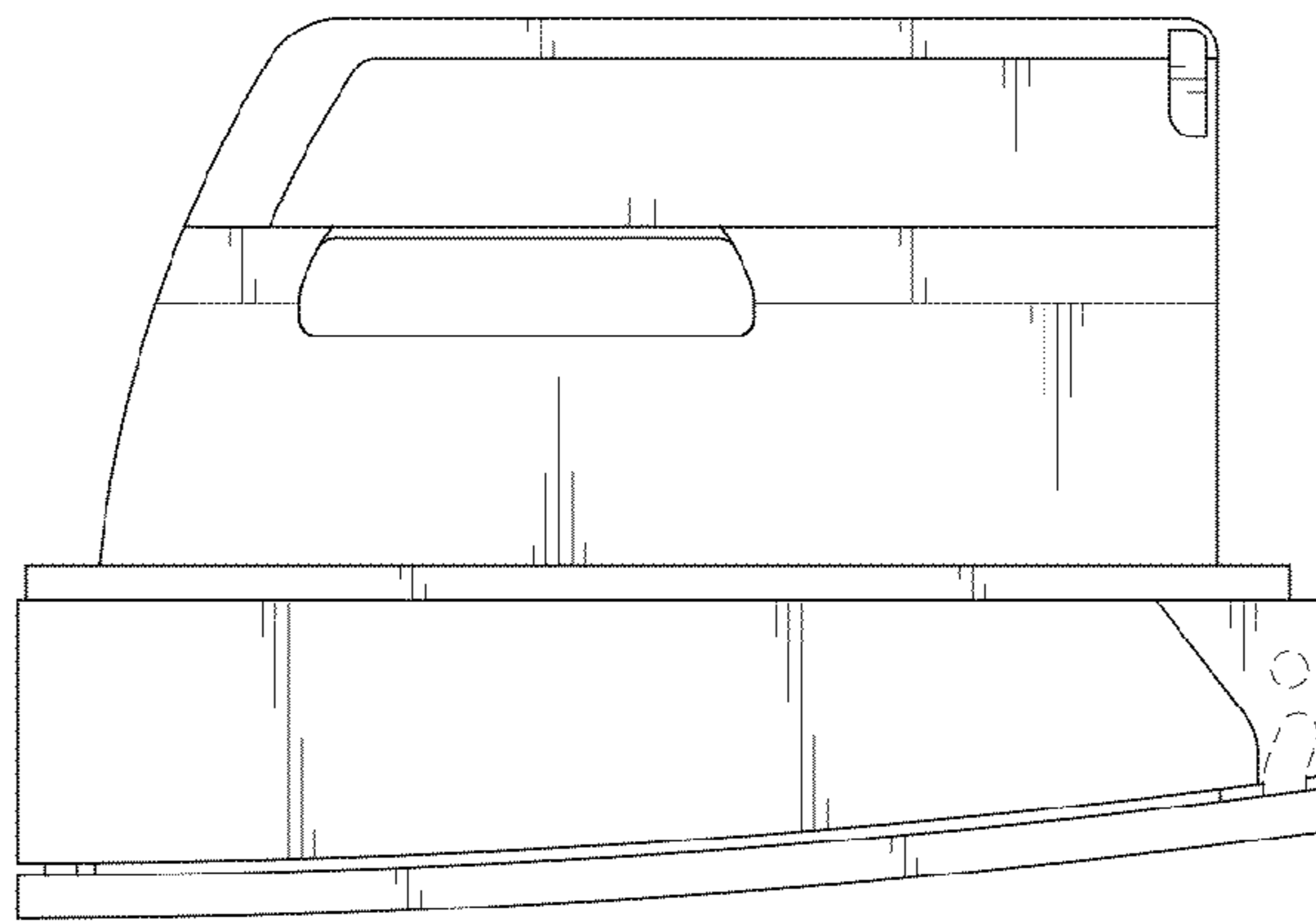


FIG. 7

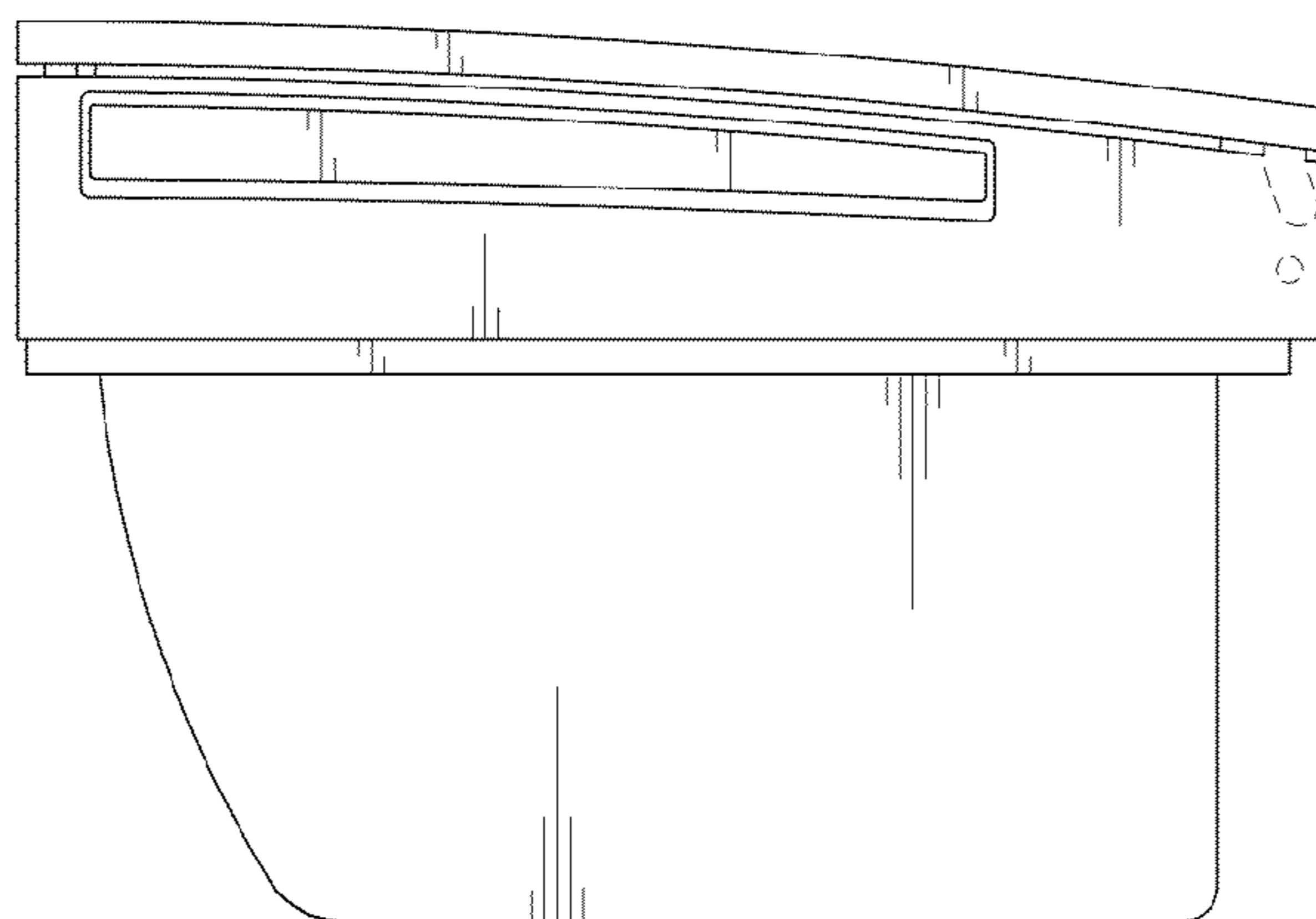


FIG. 8

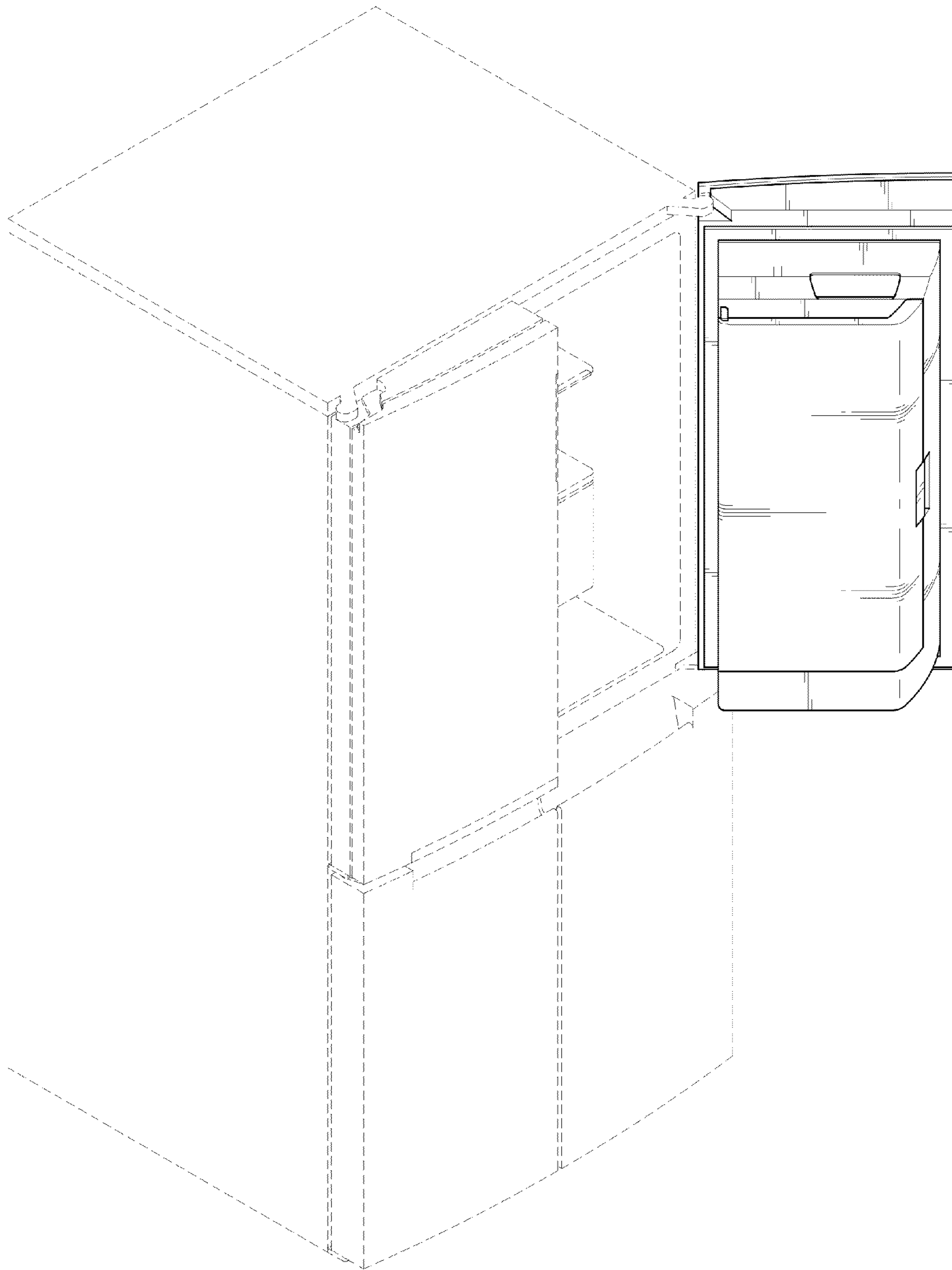


FIG. 9

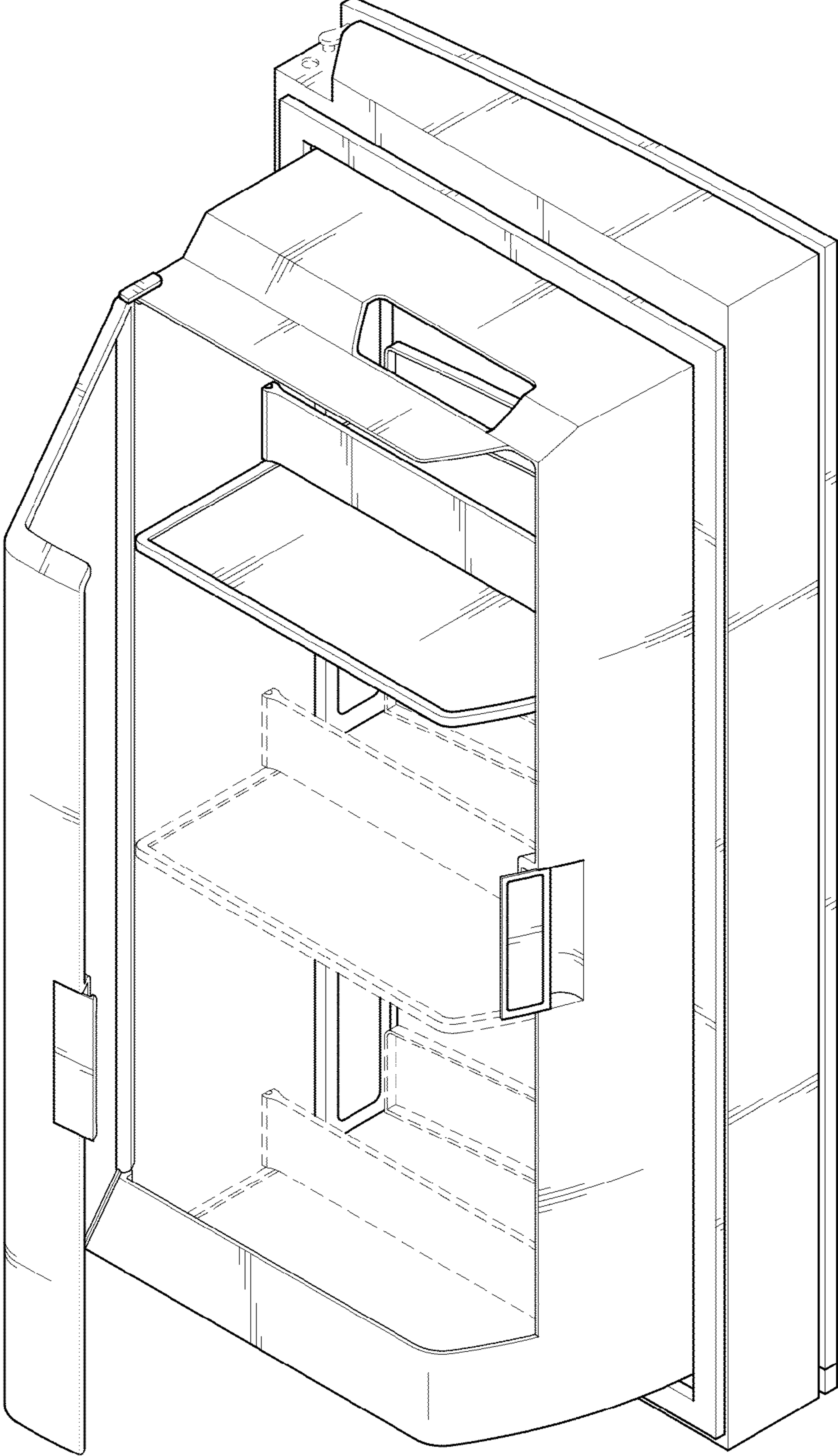


FIG. 10

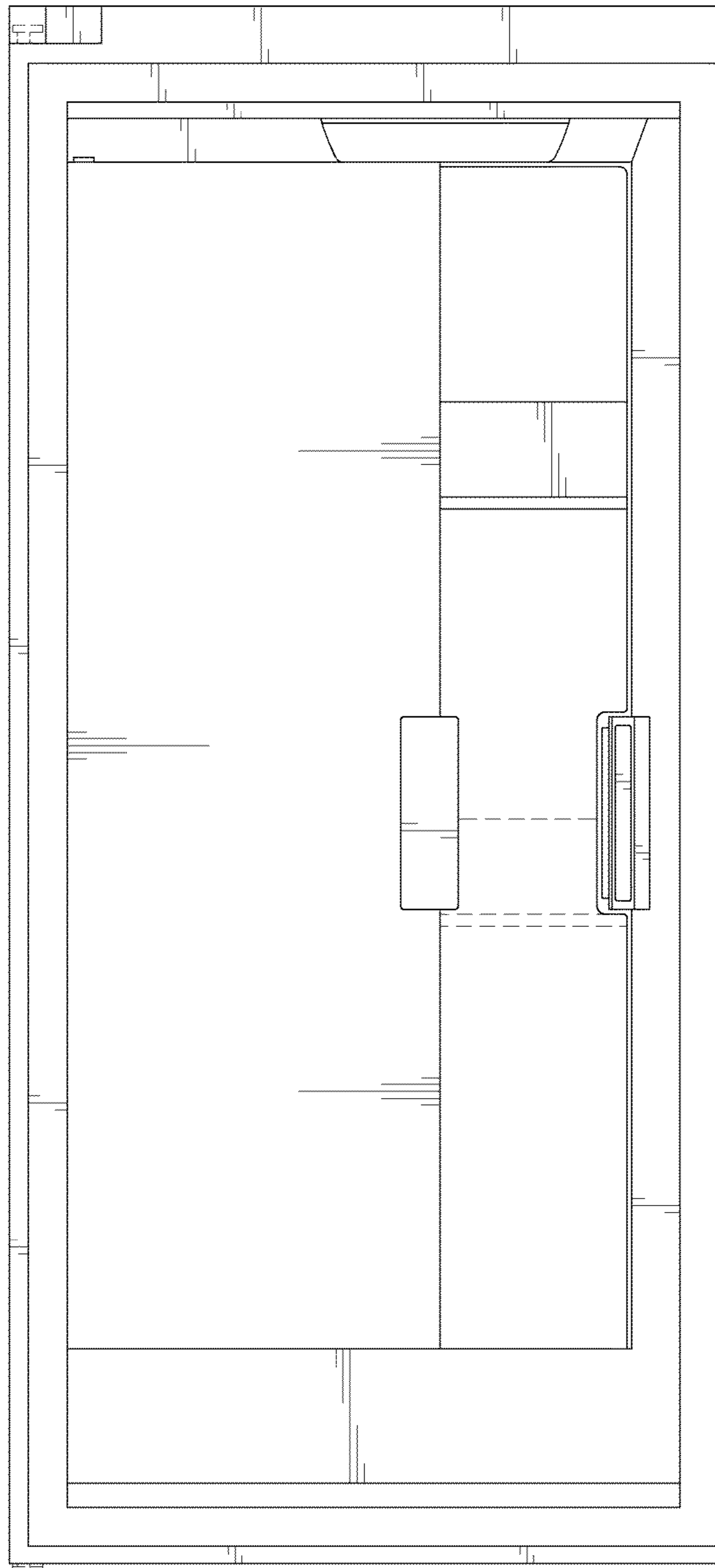


FIG. 11

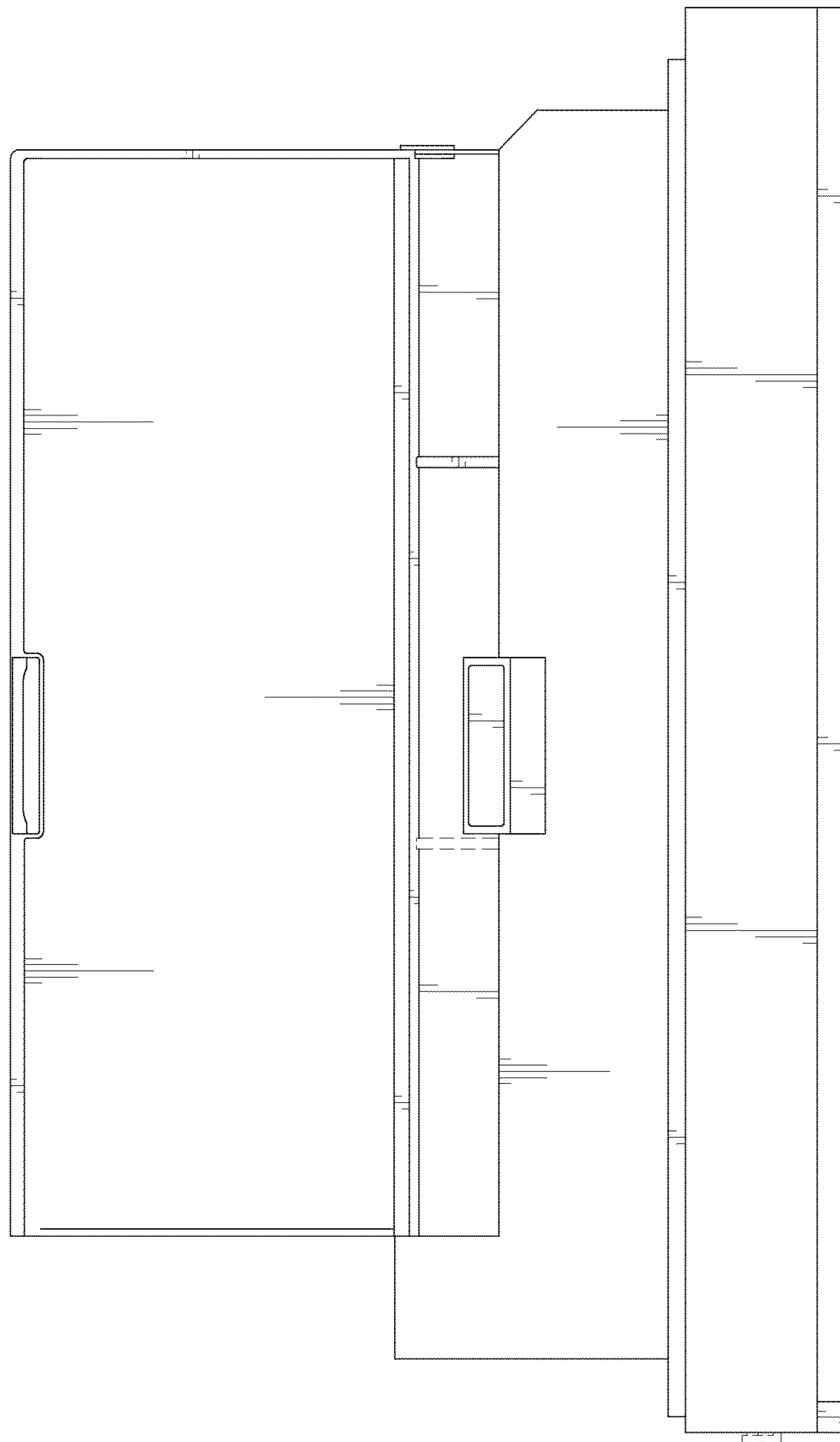


FIG. 12

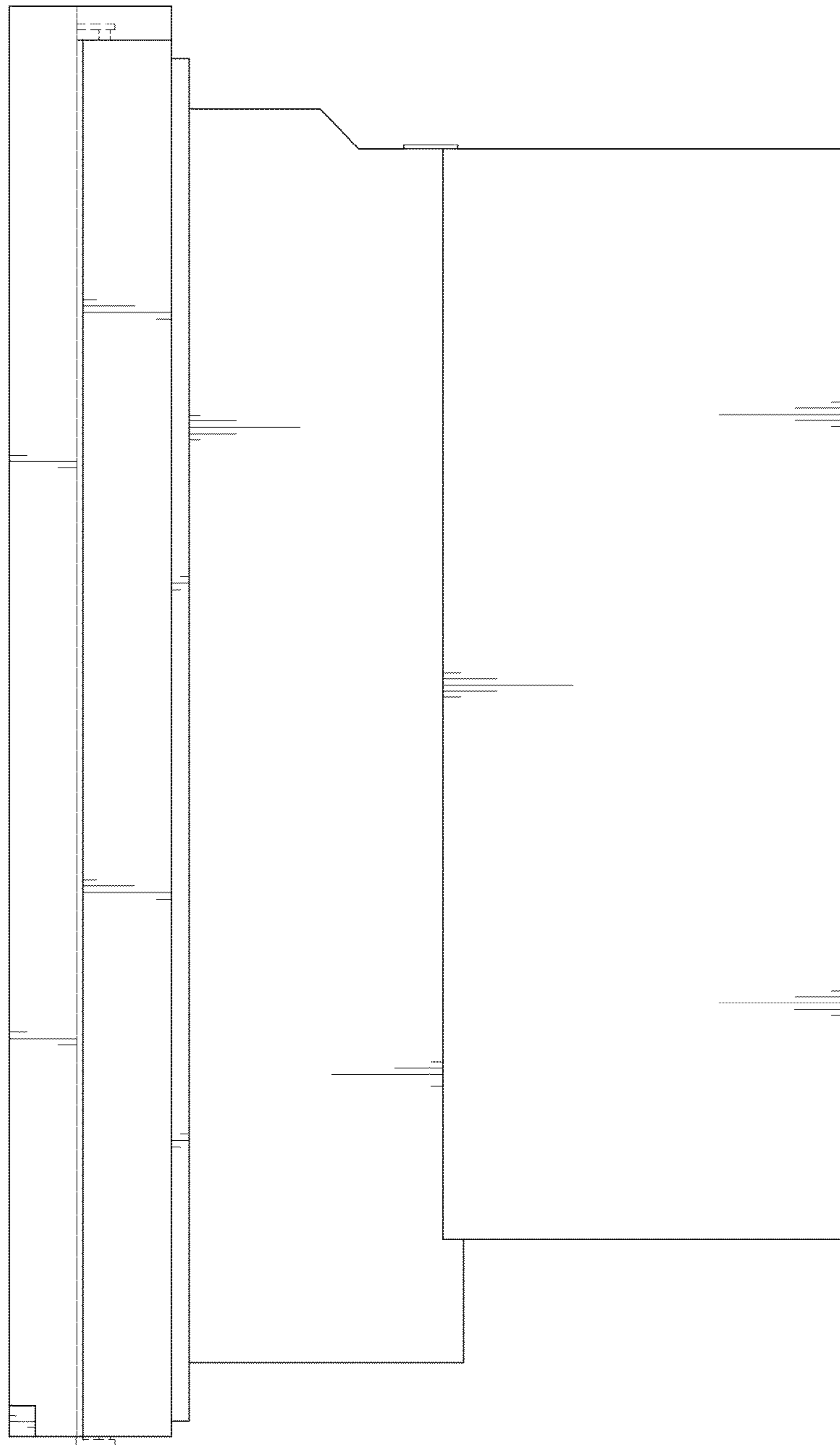


FIG. 13

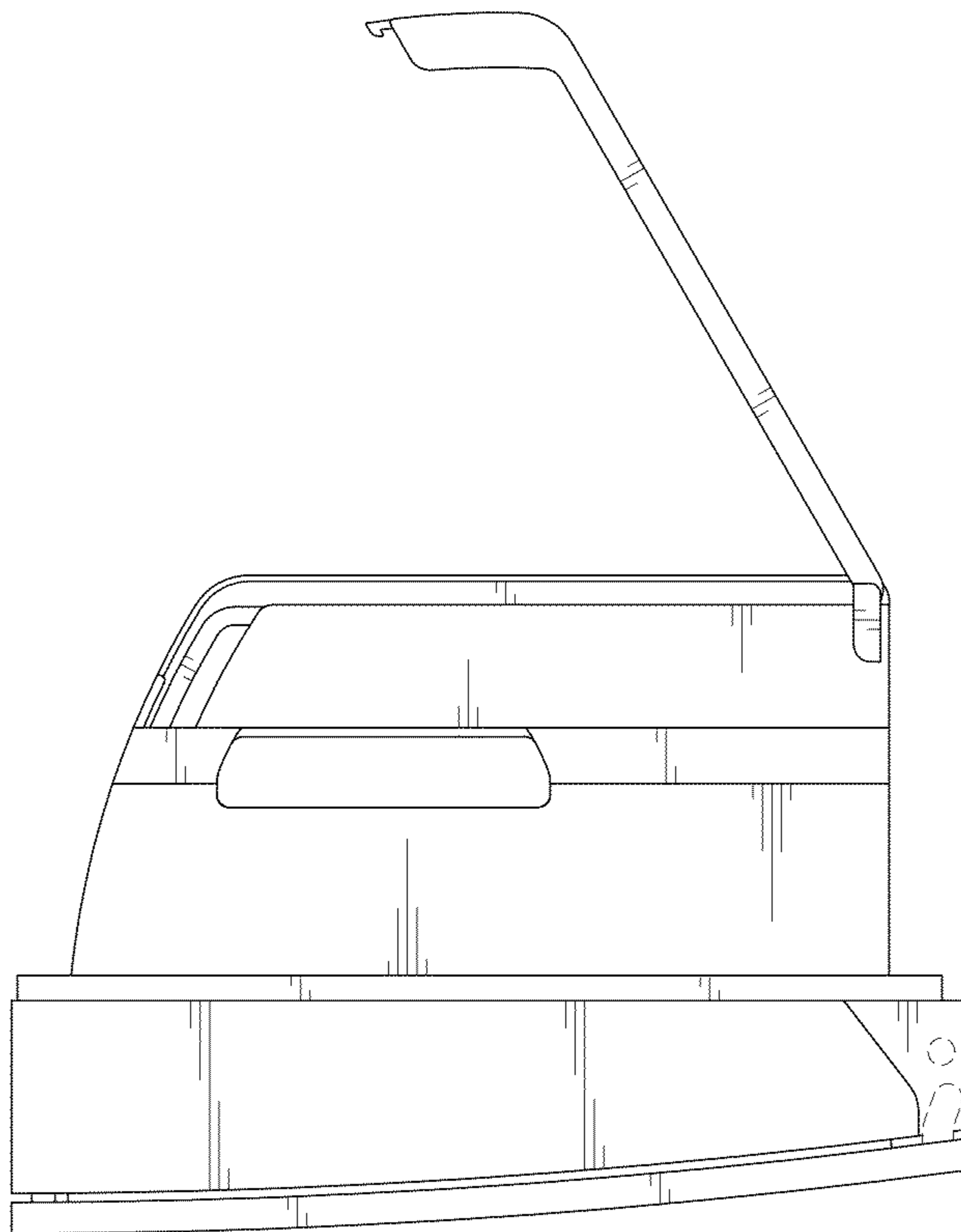


FIG. 14

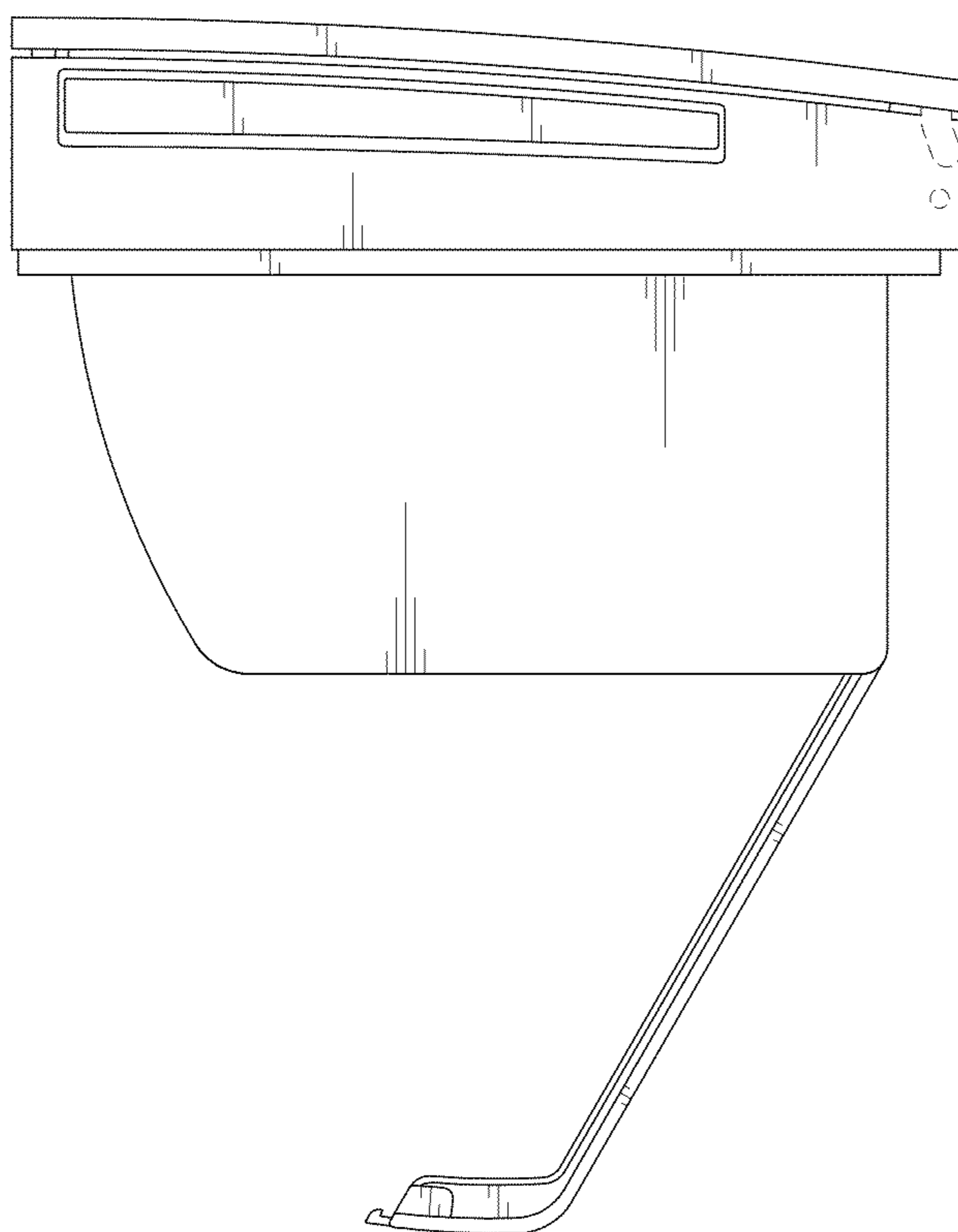


FIG. 15

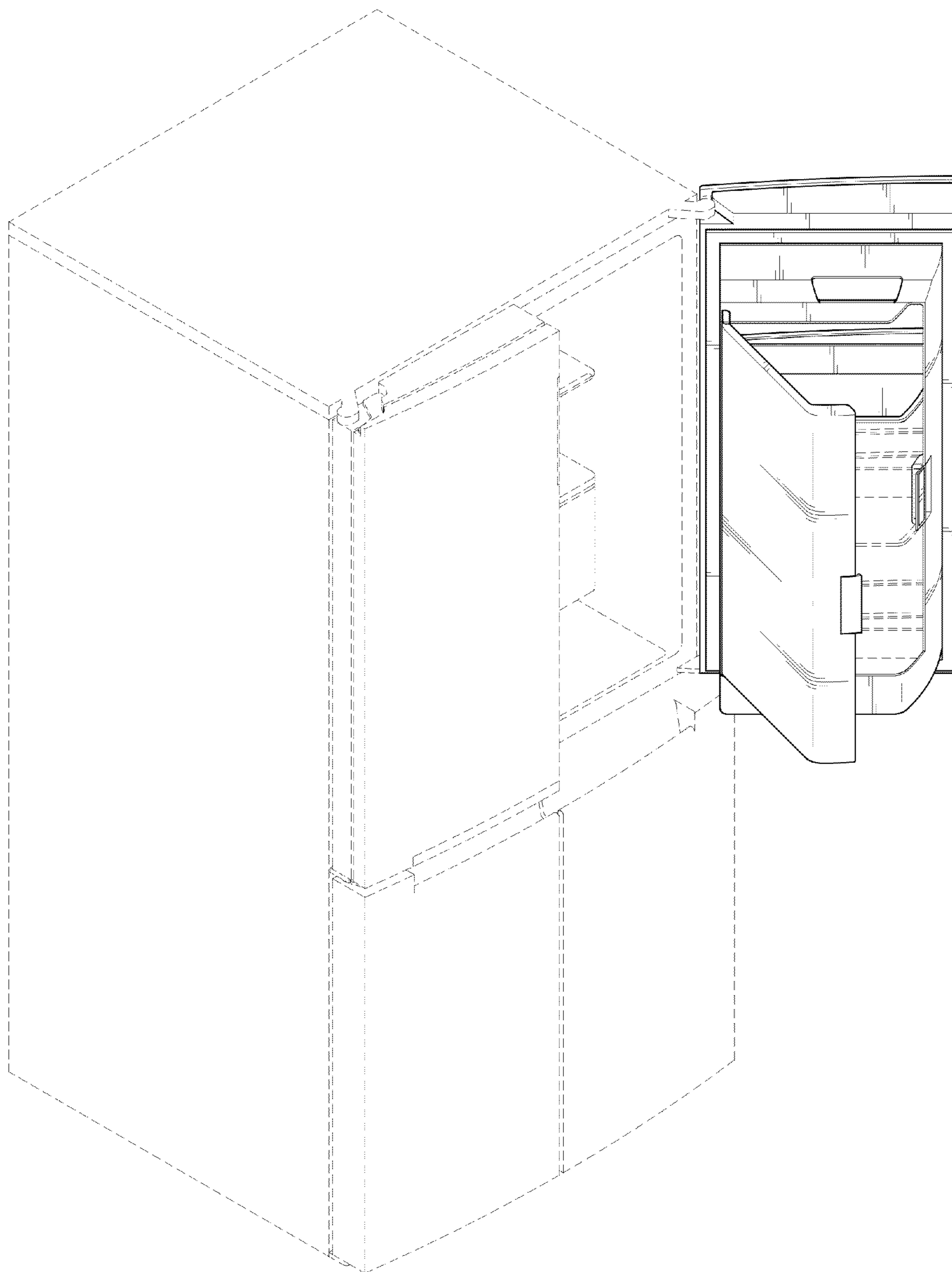


FIG. 16

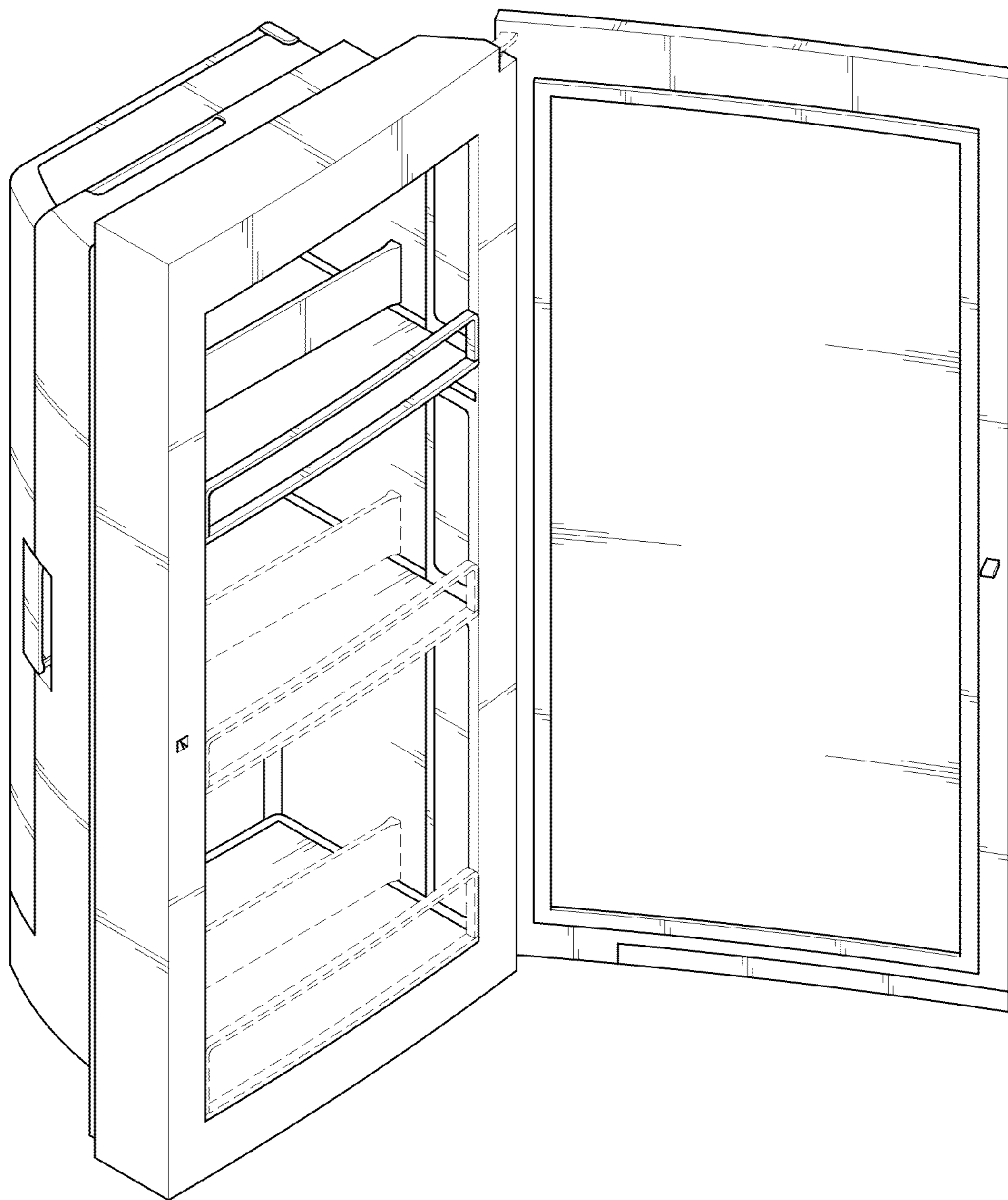


FIG. 17

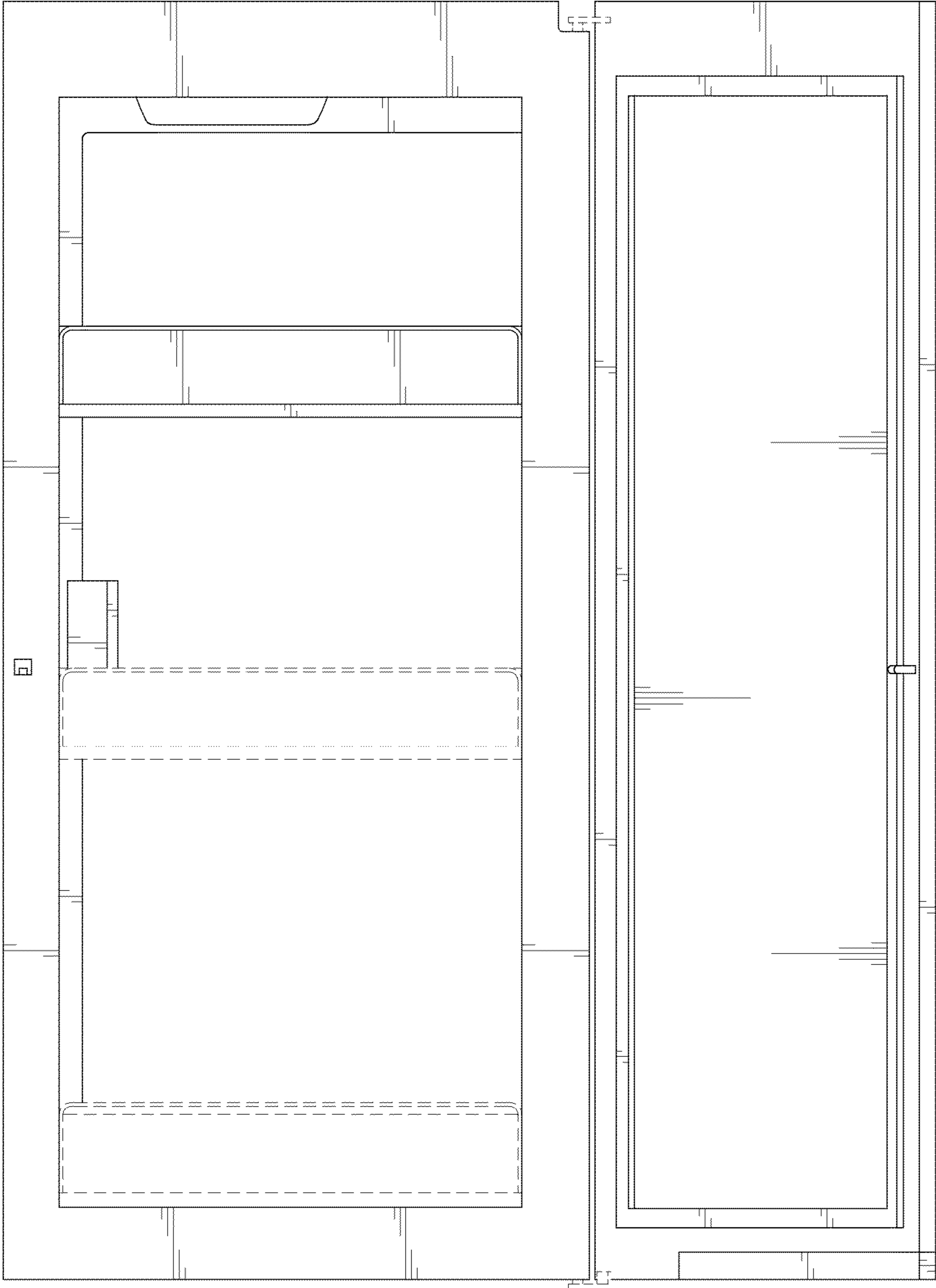


FIG. 18

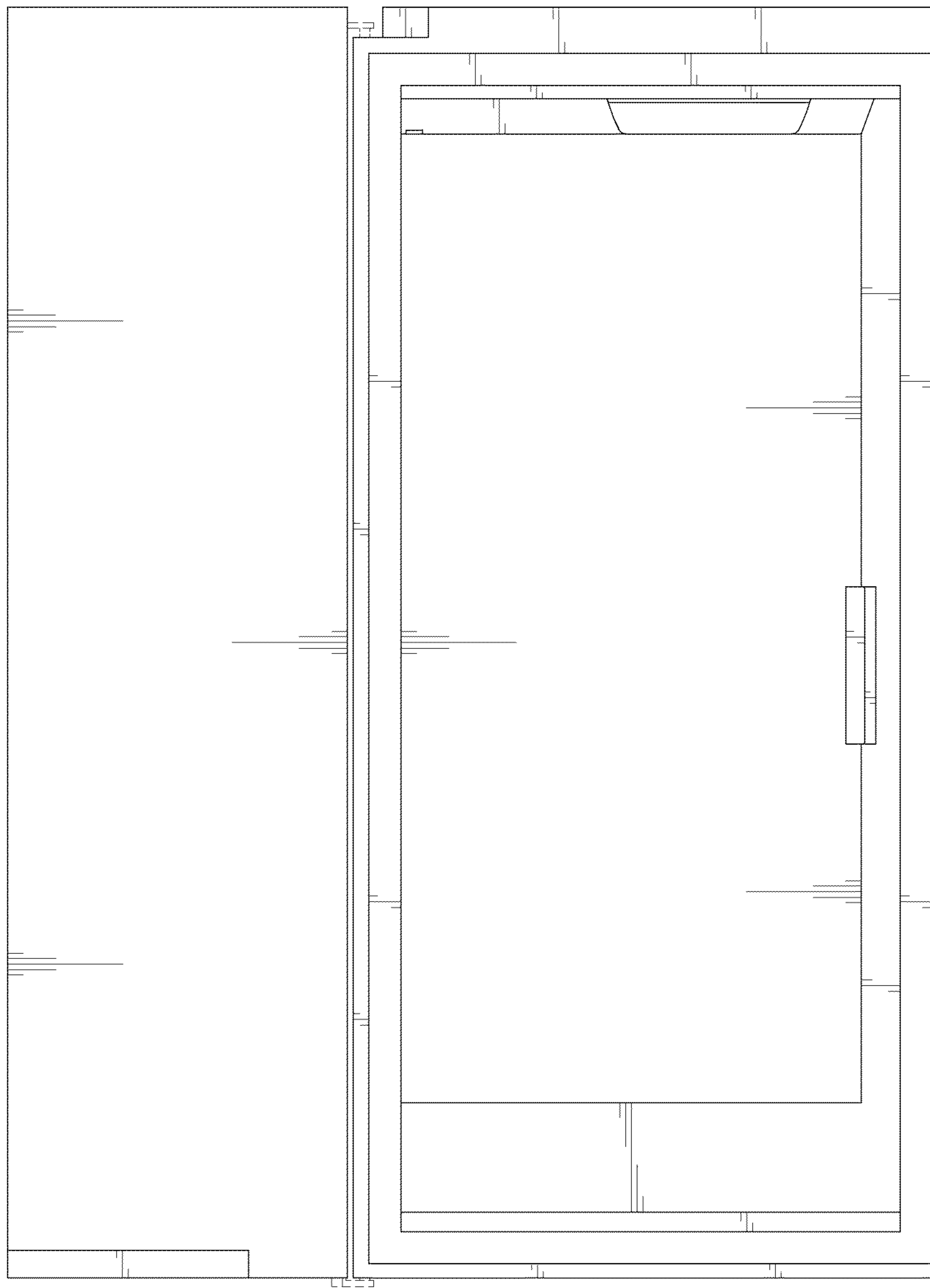


FIG. 19

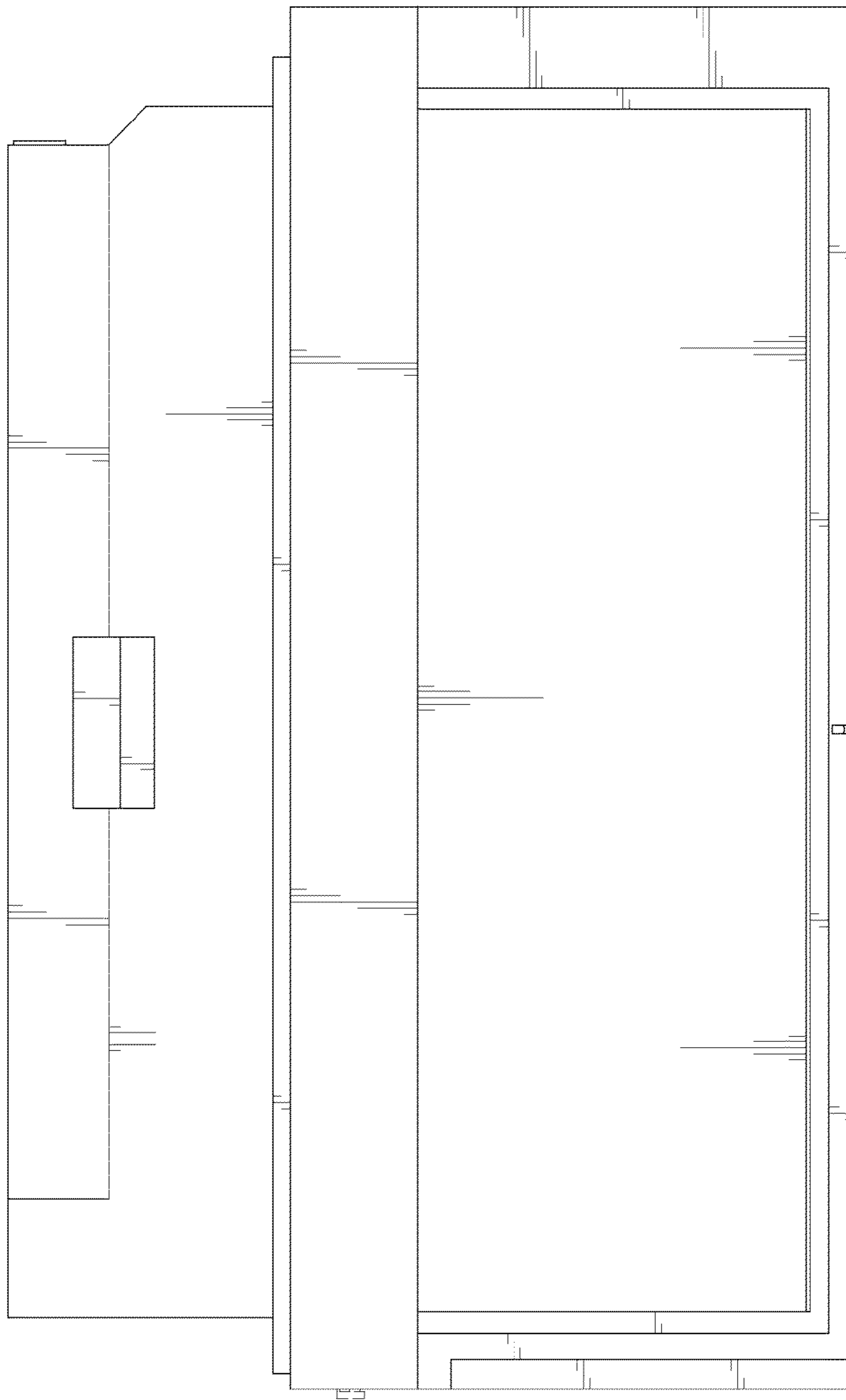


FIG. 20

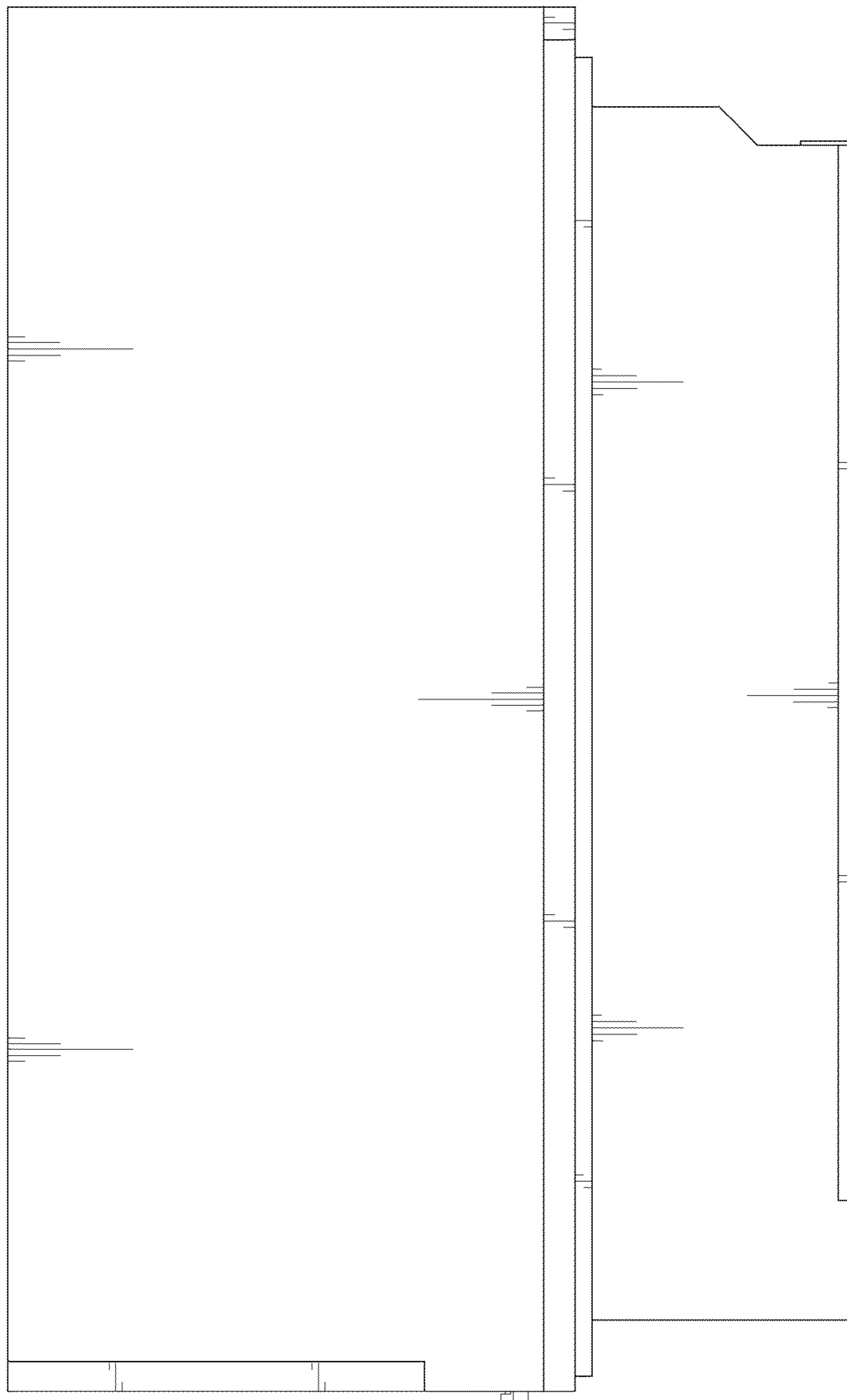


FIG. 21

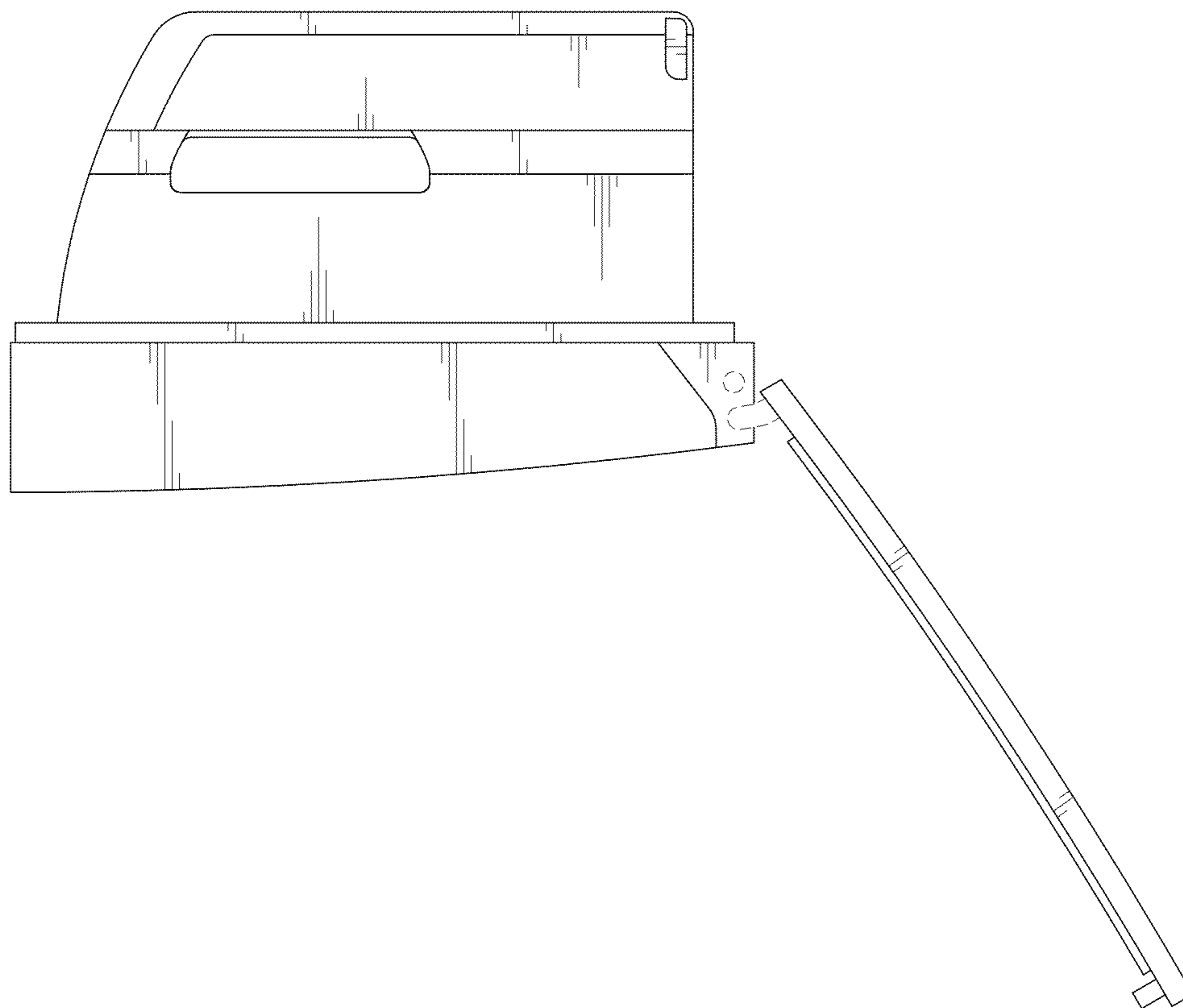


FIG. 22

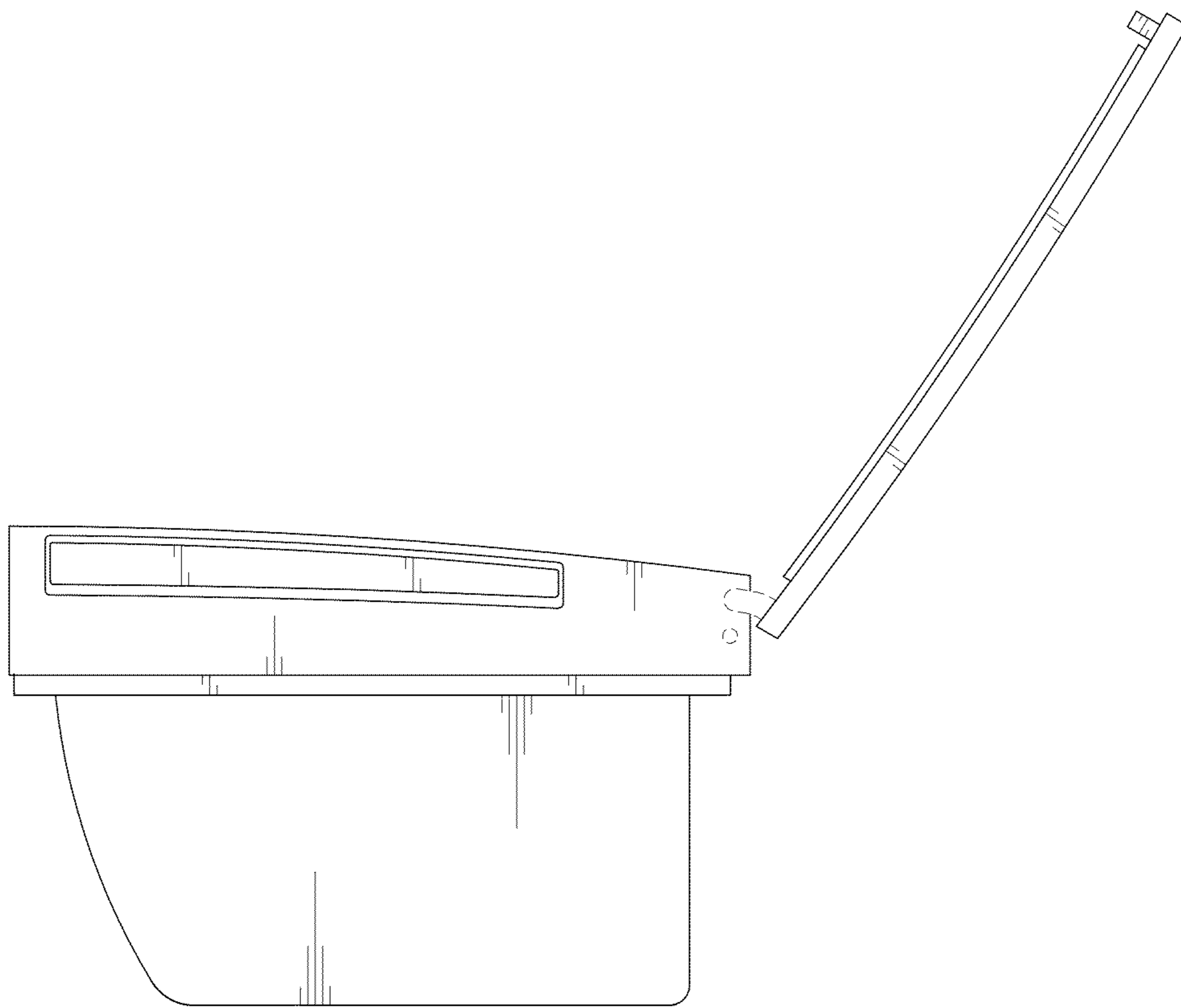


FIG. 23

